



US00D892871S

(12) **United States Design Patent** (10) **Patent No.:** **US D892,871 S**  
**Lee et al.** (45) **Date of Patent:** **\*\* Aug. 11, 2020**

(54) **BUILT-IN REFRIGERATOR**

(56) **References Cited**

(71) Applicant: **LG ELECTRONICS INC.**, Seoul (KR)  
(72) Inventors: **Wonjun Lee**, Seoul (KR); **Hongsik Kwon**, Seoul (KR); **Sooyeon Kim**, Seoul (KR); **Suhyeon Son**, Seoul (KR)  
(73) Assignee: **LG ELECTRONICS INC.**, Seoul (KR)  
(\*\*) Term: **15 Years**

U.S. PATENT DOCUMENTS

D518,077 S *	3/2006	Lee .....	D15/91
D553,167 S *	10/2007	Busalt .....	D15/91
D562,362 S *	2/2008	Bissig .....	D15/91
D567,262 S *	4/2008	Crookshanks .....	D15/91
D577,373 S *	9/2008	Crookshanks .....	D15/91
D642,600 S *	8/2011	Kristiansen .....	D15/86
D646,308 S *	10/2011	Kristiansen .....	D15/91
D674,416 S *	1/2013	Seo .....	D15/86
D680,138 S *	4/2013	Seo .....	D15/86
D681,695 S *	5/2013	Lee .....	D15/86
D684,609 S *	6/2013	Seo .....	D15/86
D686,254 S *	7/2013	Wang .....	D15/91
D689,104 S *	9/2013	Yang .....	D15/91
D706,315 S *	6/2014	Seo .....	D15/89

(Continued)

(21) Appl. No.: **35/506,599**  
(22) Filed: **Jul. 31, 2018**

*Primary Examiner* — Richard E Chilcot

(80) **Hague Agreement Data**  
Int. Filing Date: **Jul. 31, 2018**  
Int. Reg. No.: **DM/102454**  
Int. Reg. Date: **Jul. 31, 2018**  
Int. Reg. Pub. Date: **Feb. 1, 2019**

(74) *Attorney, Agent, or Firm* — Birch, Stewart, Kolasch & Birch, LLP

(51) **LOC (12) Cl.** ..... **15-07**  
(52) **U.S. Cl.**  
USPC ..... **D15/79**  
CPC ..... **F25D 25/025** (2013.01)

(57) **CLAIM**

The ornamental design for a built-in refrigerator, as shown and described.

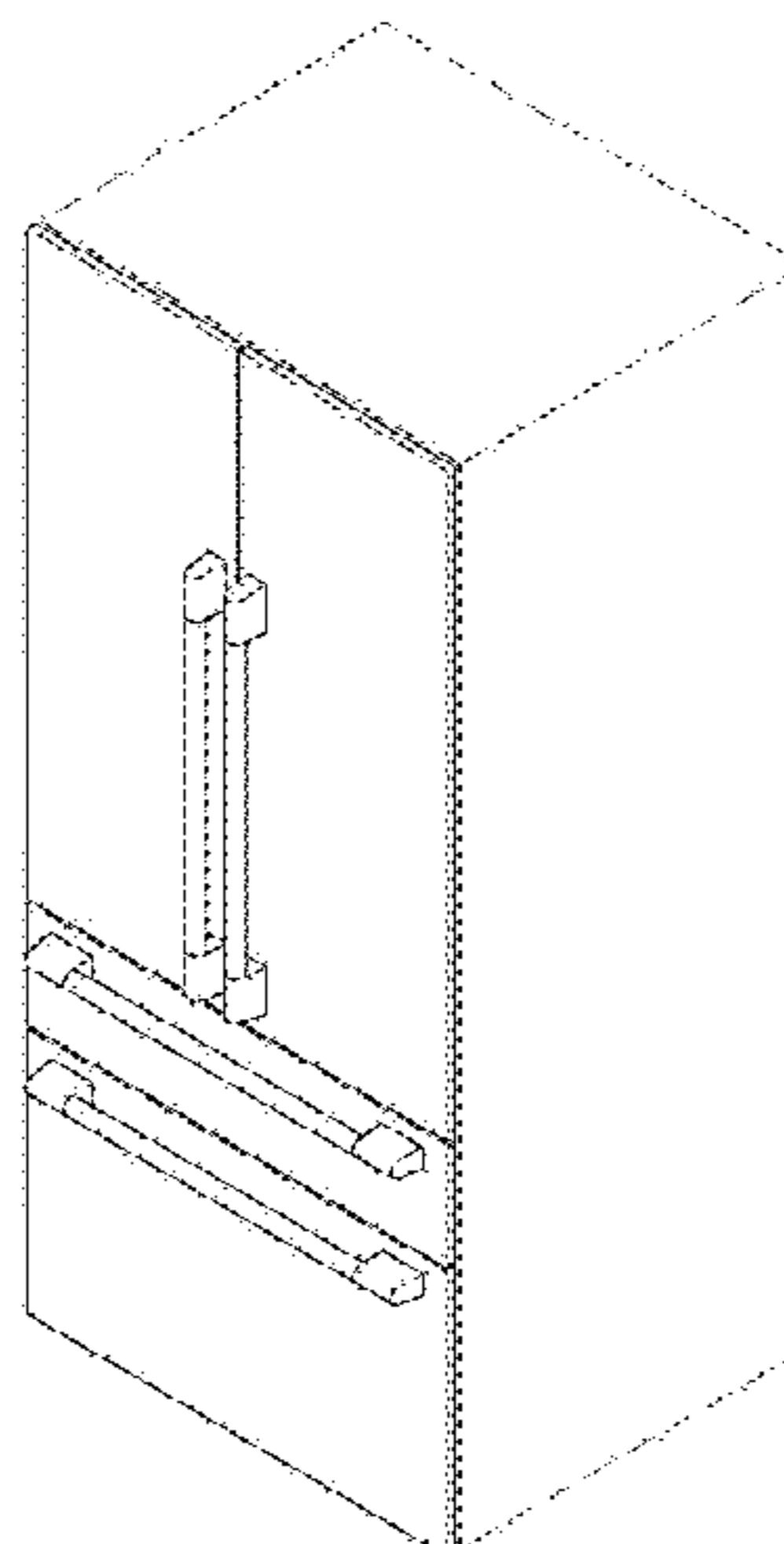
(58) **Field of Classification Search**  
USPC ..... D15/79-91  
CPC ..... F25D 25/025; F25D 23/028; F25D 2323/024; F25D 23/00; F25D 23/02; F25D 2323/021; F25D 23/065; F25D 11/00; F25D 2201/14; F25D 23/021; F25D 23/025; F25D 23/04; F25D 27/00; F25D 23/062; F25D 23/067; F25D 2400/18; F25D 23/08; F25D 23/085; F25D 2500/02; F25D 25/00; F25D 25/005; F25D 25/022; F25D 25/024; F25D 17/047; F25D 2317/041; F25D 2317/04131; F25D 2317/043; F25D 2317/0664; F25D 2321/147; F25D 2323/02; F25D 2323/023

**DESCRIPTION**

1. Built-in refrigerator  
**1.1** : Perspective  
**1.2** : Front  
**1.3** : Back  
**1.4** : Left, the right view being a mirror image thereof  
**1.5** : Top  
**1.6** : Bottom  
**1.7** : Perspective view in which the claimed design is installed on a wall  
The broken lines depict portions of the built-in refrigerator that form no part of the claimed design; the dash-dot broken lines define the boundary of the claimed design and form no part thereof; the portions of reproduction **1.7** in broken lines

See application file for complete search history.

(Continued)



show environmental structure only and form no part of the claimed design; this design is for a built-in refrigerator made of synthetic resin and metal.

**1 Claim, 7 Drawing Sheets**

(56)

**References Cited**

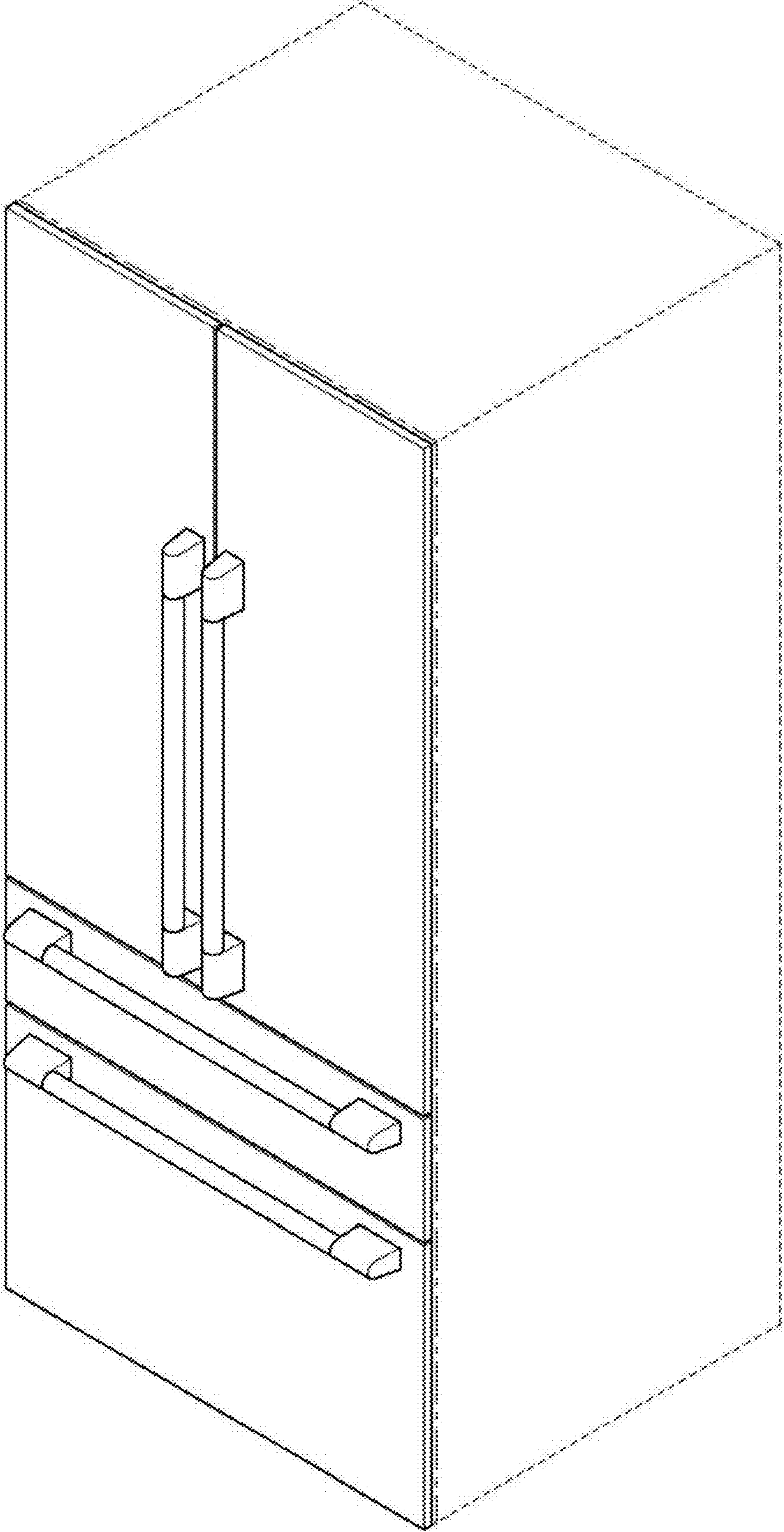
U.S. PATENT DOCUMENTS

D707,734 S \* 6/2014 Seo ..... D15/86  
 D709,925 S \* 7/2014 Seo ..... D15/89  
 D710,403 S \* 8/2014 Seo ..... D15/89  
 D713,862 S \* 9/2014 Lee ..... D15/86  
 D714,360 S \* 9/2014 Seo ..... D15/85  
 D714,361 S \* 9/2014 Seo ..... D15/86  
 D722,624 S \* 2/2015 Cho ..... D15/89  
 D722,625 S \* 2/2015 Cho ..... D15/89  
 D723,595 S \* 3/2015 You ..... D15/91  
 D724,113 S \* 3/2015 Seo ..... D15/85  
 D730,958 S \* 6/2015 Choi ..... D15/91  
 D742,431 S \* 11/2015 Seo ..... D15/86  
 D742,437 S \* 11/2015 Choi ..... D15/91  
 D742,438 S \* 11/2015 Jeon ..... D15/91  
 D744,551 S \* 12/2015 Park ..... D15/91  
 D747,368 S \* 1/2016 Kim ..... D15/85  
 D757,131 S \* 5/2016 Lee ..... D15/91  
 D759,132 S \* 6/2016 Kwon ..... D15/91

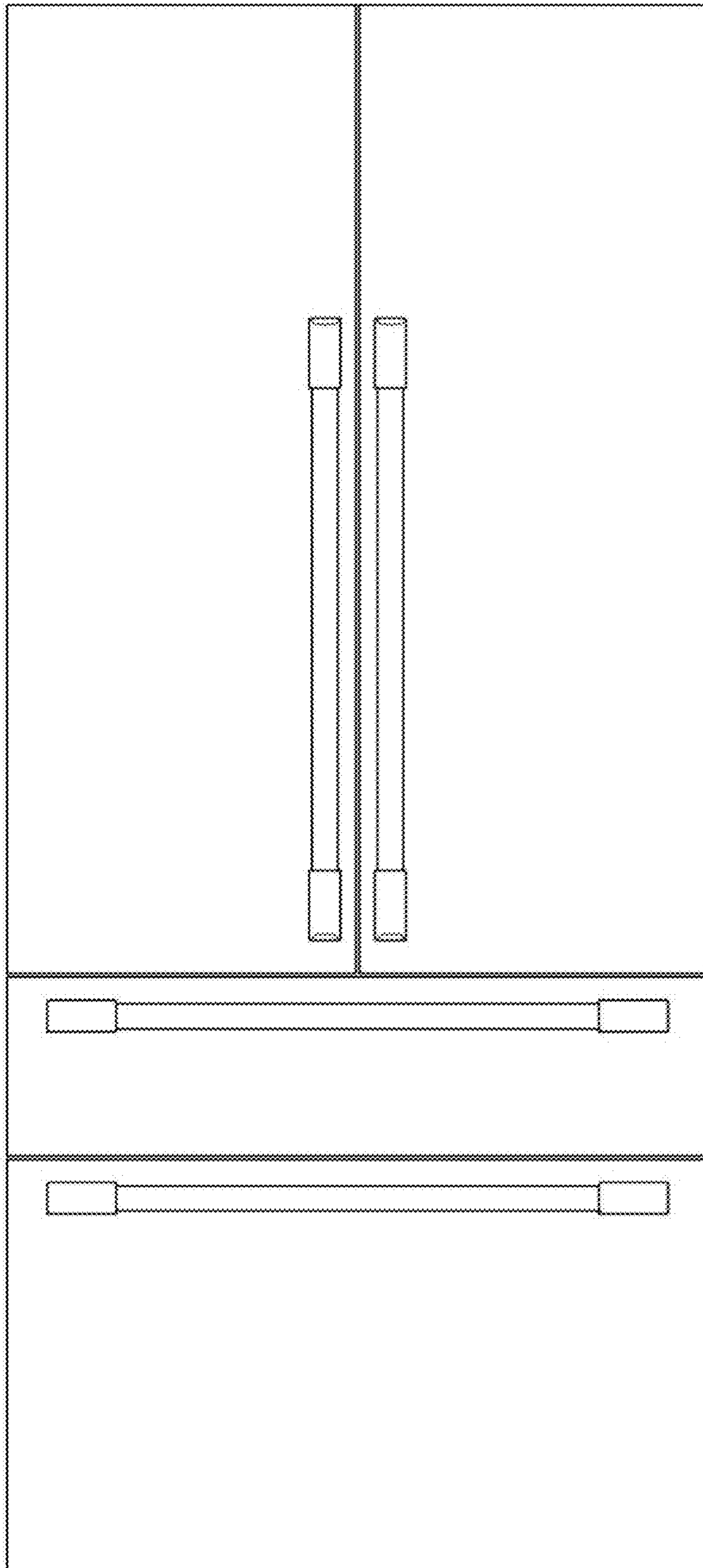
D760,819 S \* 7/2016 Lee ..... D15/86  
 D760,820 S \* 7/2016 Lee ..... D15/91  
 D760,821 S \* 7/2016 Lee ..... D15/91  
 D760,822 S \* 7/2016 Lee ..... D15/91  
 D760,823 S \* 7/2016 Lee ..... D15/91  
 D760,824 S \* 7/2016 Lee ..... D15/91  
 D761,333 S \* 7/2016 Lee ..... D15/86  
 D761,334 S \* 7/2016 Lee ..... D15/86  
 D761,336 S \* 7/2016 Lee ..... D15/91  
 D761,887 S \* 7/2016 Seo ..... D15/89  
 D762,249 S \* 7/2016 Kim ..... D15/86  
 D763,329 S \* 8/2016 Seo ..... D15/89  
 D765,151 S \* 8/2016 Park ..... D15/81  
 D766,344 S \* 9/2016 Kim ..... D15/86  
 D767,648 S \* 9/2016 Shoemaker ..... D15/86  
 D768,738 S \* 10/2016 Lee ..... D15/91  
 D768,739 S \* 10/2016 Lee ..... D15/91  
 D775,674 S \* 1/2017 Seo ..... D15/86  
 D776,173 S \* 1/2017 Kim ..... D15/91  
 D787,566 S \* 5/2017 Seo ..... D15/85  
 D787,572 S \* 5/2017 Seo ..... D15/91  
 D788,187 S \* 5/2017 Kim ..... D15/84  
 D788,188 S \* 5/2017 Seo ..... D15/86  
 D788,193 S \* 5/2017 Seo ..... D15/91  
 D788,194 S \* 5/2017 Kwak ..... D15/91  
 D788,828 S \* 6/2017 Seo ..... D15/86  
 2010/0242526 A1 \* 9/2010 Junge ..... F25D 17/065  
 62/449  
 2014/0117830 A1 \* 5/2014 Lee ..... F25D 25/025  
 312/402

\* cited by examiner

1.1



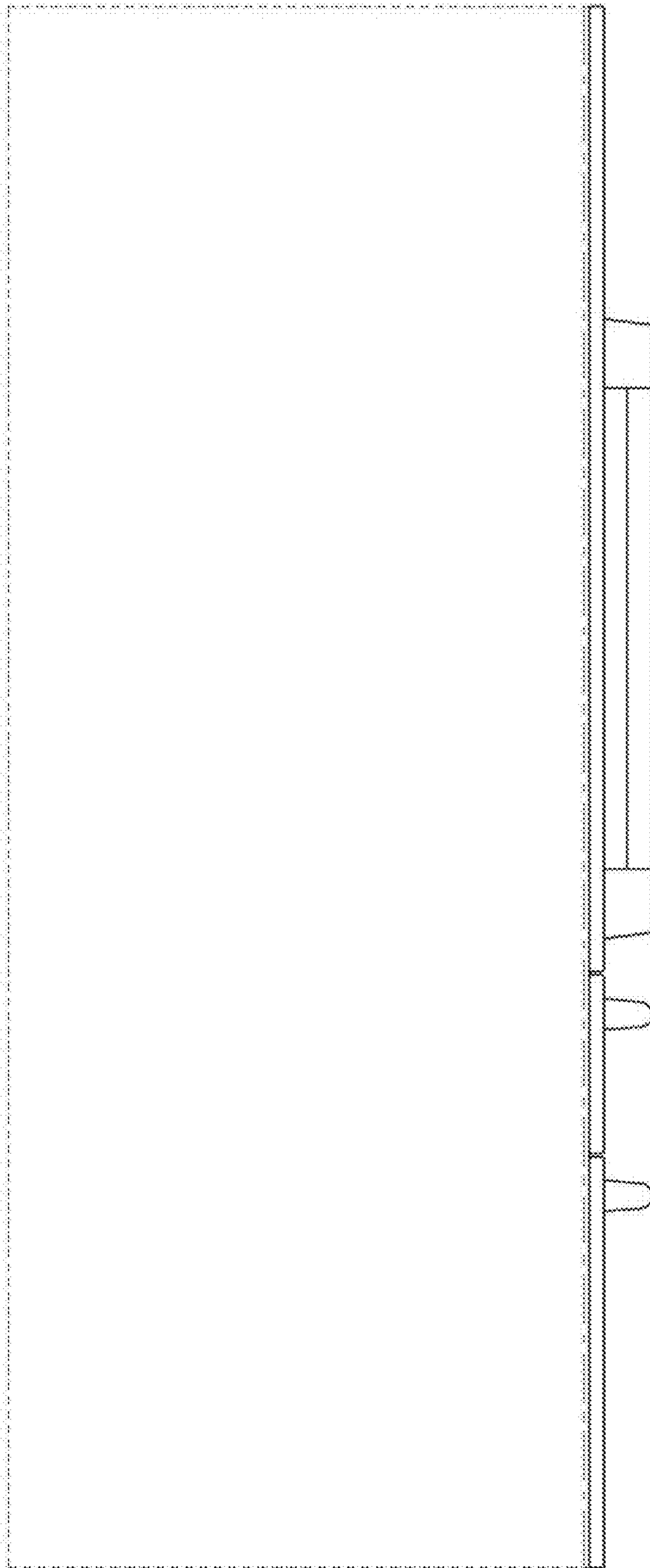
1.2



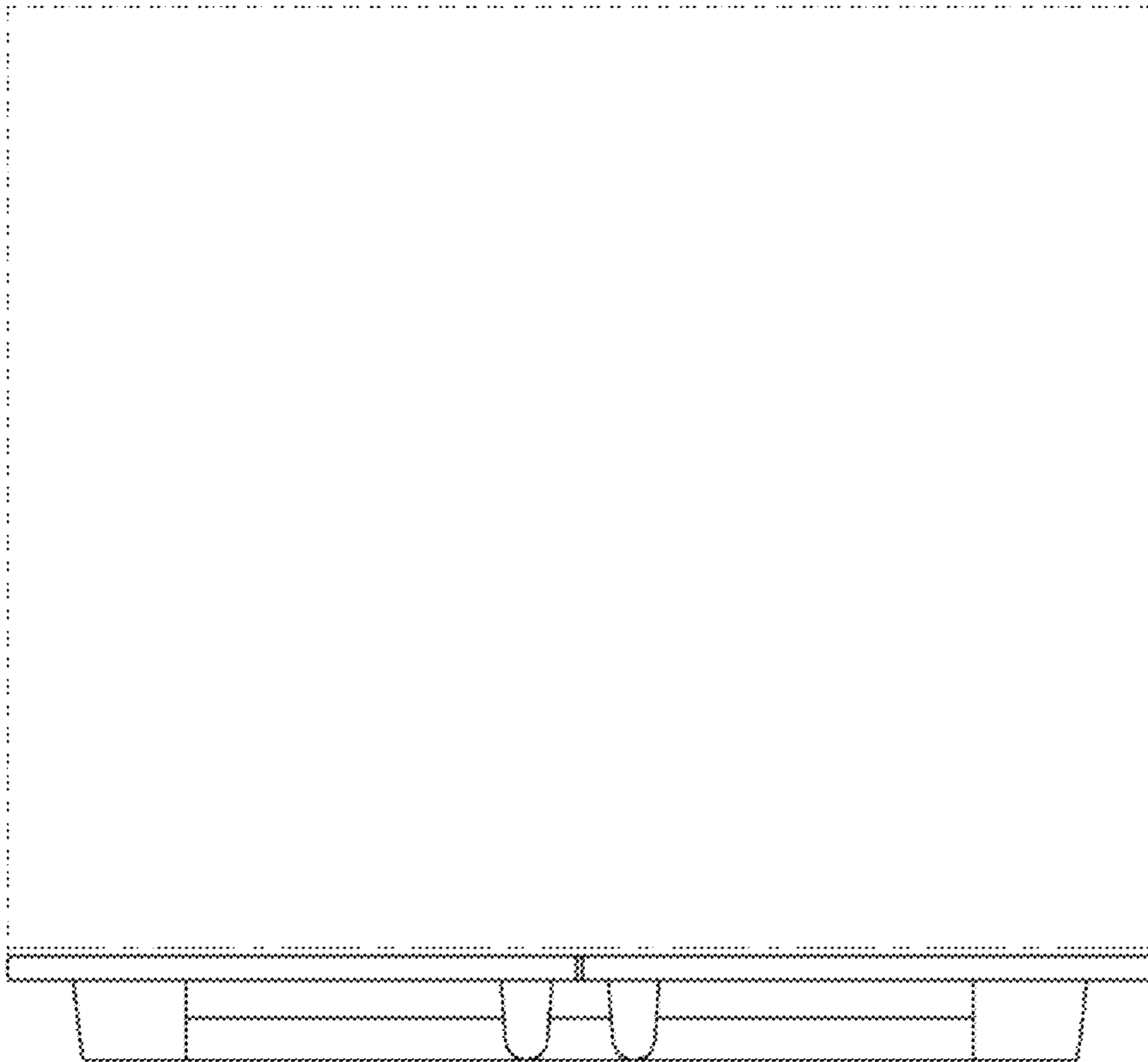
1.3



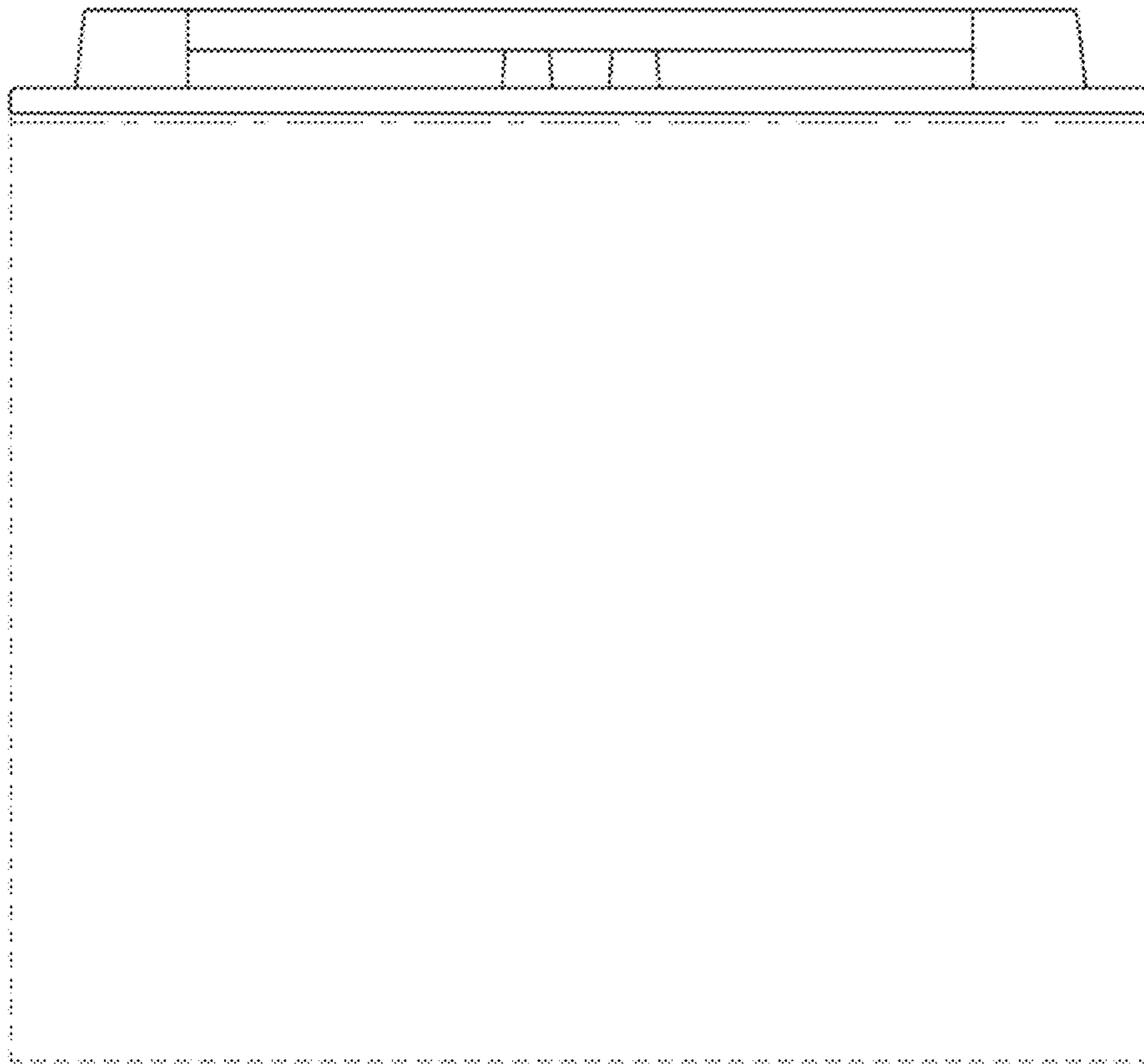
1.4



1.5



1.6





1.7

