



US00D892870S

(12) **United States Design Patent** (10) **Patent No.:** **US D892,870 S**
Choi et al. (45) **Date of Patent:** **** Aug. 11, 2020**

(54) **REFRIGERATOR**

(71) Applicant: **LG ELECTRONICS INC.**, Seoul (KR)
(72) Inventors: **Kyukwan Choi**, Seoul (KR); **Jaehung Chun**, Seoul (KR); **Sookyung Kang**, Seoul (KR); **Hyungki Kim**, Seoul (KR)
(73) Assignee: **LG ELECTRONICS INC.**, Seoul (KR)
(**) Term: **15 Years**

(21) Appl. No.: **35/506,292**
(22) Filed: **Jul. 11, 2018**

(80) **Hague Agreement Data**

Int. Filing Date: **Jul. 11, 2018**
Int. Reg. No.: **DM/102430**
Int. Reg. Date: **Jul. 11, 2018**
Int. Reg. Pub. Date: **Jan. 11, 2019**

(51) **LOC (12) Cl.** **15-07**

(52) **U.S. Cl.**
USPC **D15/79**
CPC **F25D 25/025** (2013.01)

(58) **Field of Classification Search**

USPC D15/79-91
CPC F25D 25/025; F25D 23/028; F25D 2323/024; F25D 23/00; F25D 23/02; F25D 2323/021; F25D 23/065; F25D 11/00; F25D 2201/14; F25D 23/021; F25D 23/025; F25D 23/04; F25D 27/00; F25D 23/062; F25D 23/067; F25D 2400/18; F25D 23/08; F25D 23/085; F25D 2500/02; F25D 25/00; F25D 25/005; F25D 25/022; F25D 25/024; F25D 17/047; F25D 2317/041; F25D 2317/04131; F25D 2317/043; F25D 2317/0664; F25D 2321/147; F25D 2323/02; F25D 2323/023

See application file for complete search history.

(56) **References Cited**

U.S. PATENT DOCUMENTS

D518,077	S	*	3/2006	Lee	D15/91
D553,167	S	*	10/2007	Busalt	D15/91
D562,362	S	*	2/2008	Bissig	D15/91
D567,262	S	*	4/2008	Crookshanks	D15/91
D577,373	S	*	9/2008	Crookshanks	D15/91
D642,600	S	*	8/2011	Kristiansen	D15/86
D646,308	S	*	10/2011	Kristiansen	D15/91
D674,416	S	*	1/2013	Seo	D15/86
D680,138	S	*	4/2013	Seo	D15/86
D681,695	S	*	5/2013	Lee	D15/86
D684,609	S	*	6/2013	Seo	D15/86
D686,254	S	*	7/2013	Wang	D15/91
D689,104	S	*	9/2013	Yang	D15/91
D706,315	S	*	6/2014	Seo	D15/89
D707,734	S	*	6/2014	Seo	D15/86
D709,925	S	*	7/2014	Seo	D15/89
D710,403	S	*	8/2014	Seo	D15/89
D713,862	S	*	9/2014	Lee	D15/86
D714,360	S	*	9/2014	Seo	D15/85

(Continued)

Primary Examiner — Richard E Chilcot

(74) *Attorney, Agent, or Firm* — Birch, Stewart, Kolasch & Birch, LLP

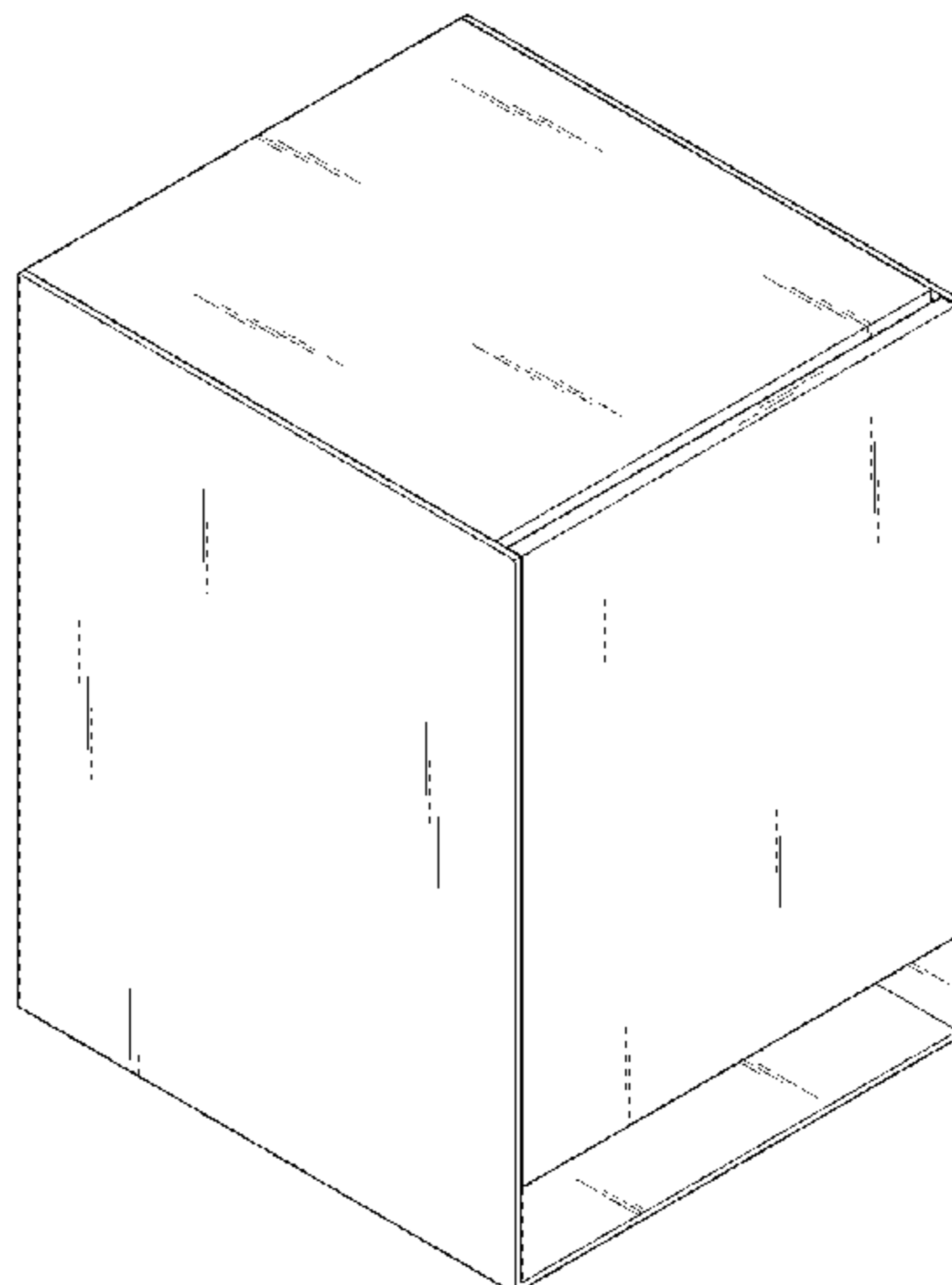
(57) **CLAIM**

The ornamental design for a refrigerator, as shown and described.

DESCRIPTION

1. Refrigerator
- 1.1 : Perspective
- 1.2 : Front
- 1.3 : Back
- 1.4 : Left
- 1.5 : Right
- 1.6 : Top
- 1.7 : Bottom
- 1.8 : Perspective in a state of use
- 1.9 : Perspective in a disassembled state

(Continued)



The broken lines shown in the figures depict portions of the refrigerator that form no part of the claimed design.

1 Claim, 9 Drawing Sheets

(56)

References Cited

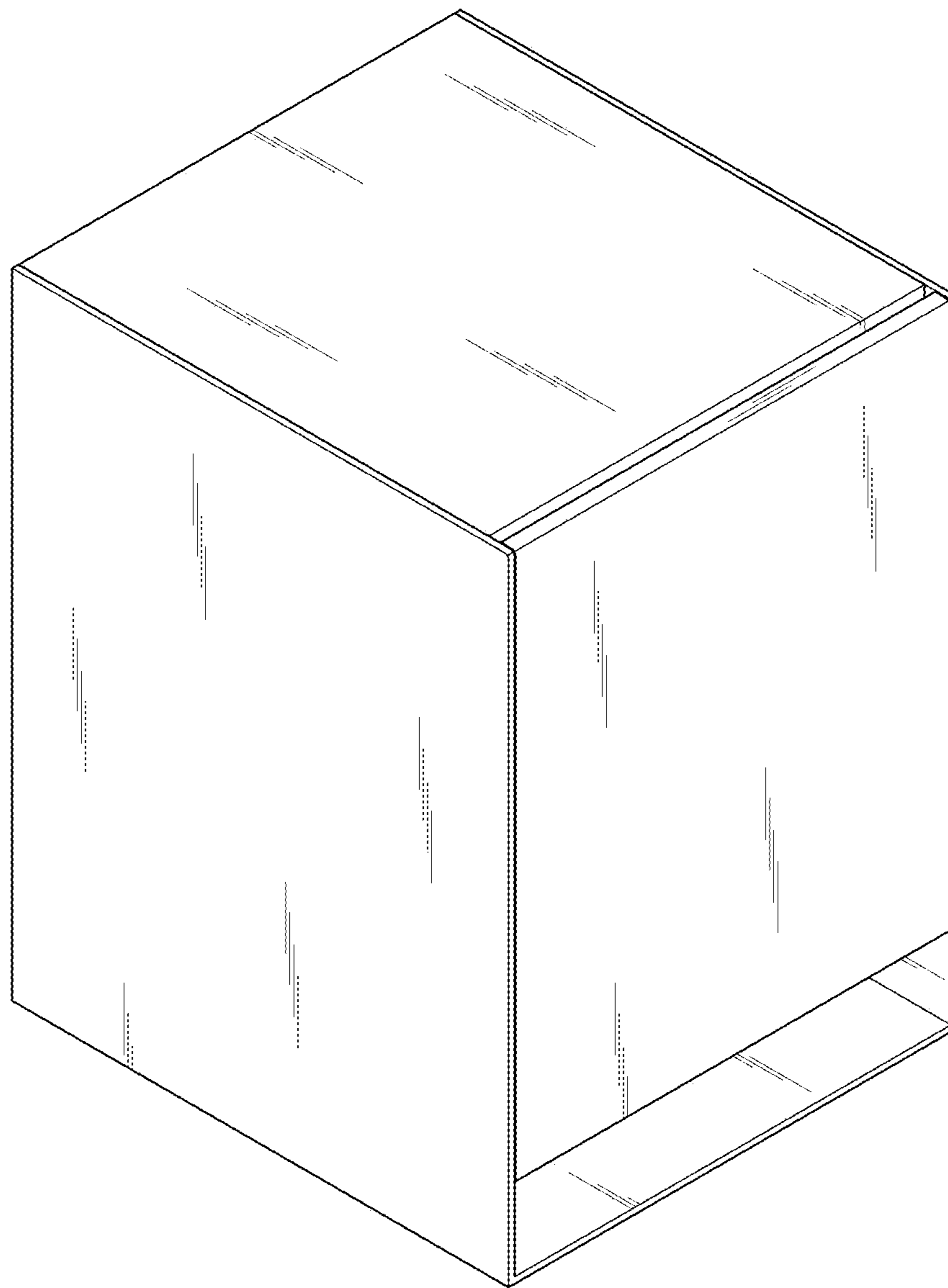
U.S. PATENT DOCUMENTS

D714,361 S *	9/2014	Seo	D15/86
D722,624 S *	2/2015	Cho	D15/89
D722,625 S *	2/2015	Cho	D15/89
D723,595 S *	3/2015	You	D15/91
D724,113 S *	3/2015	Seo	D15/85
D730,958 S *	6/2015	Choi	D15/91
D742,431 S *	11/2015	Seo	D15/86
D742,437 S *	11/2015	Choi	D15/91
D742,438 S *	11/2015	Jeon	D15/91
D744,551 S *	12/2015	Park	D15/91
D747,368 S *	1/2016	Kim	D15/85
D757,131 S *	5/2016	Lee	D15/91
D759,132 S *	6/2016	Kwon	D15/91
D760,819 S *	7/2016	Lee	D15/86
D760,820 S *	7/2016	Lee	D15/91
D760,821 S *	7/2016	Lee	D15/91

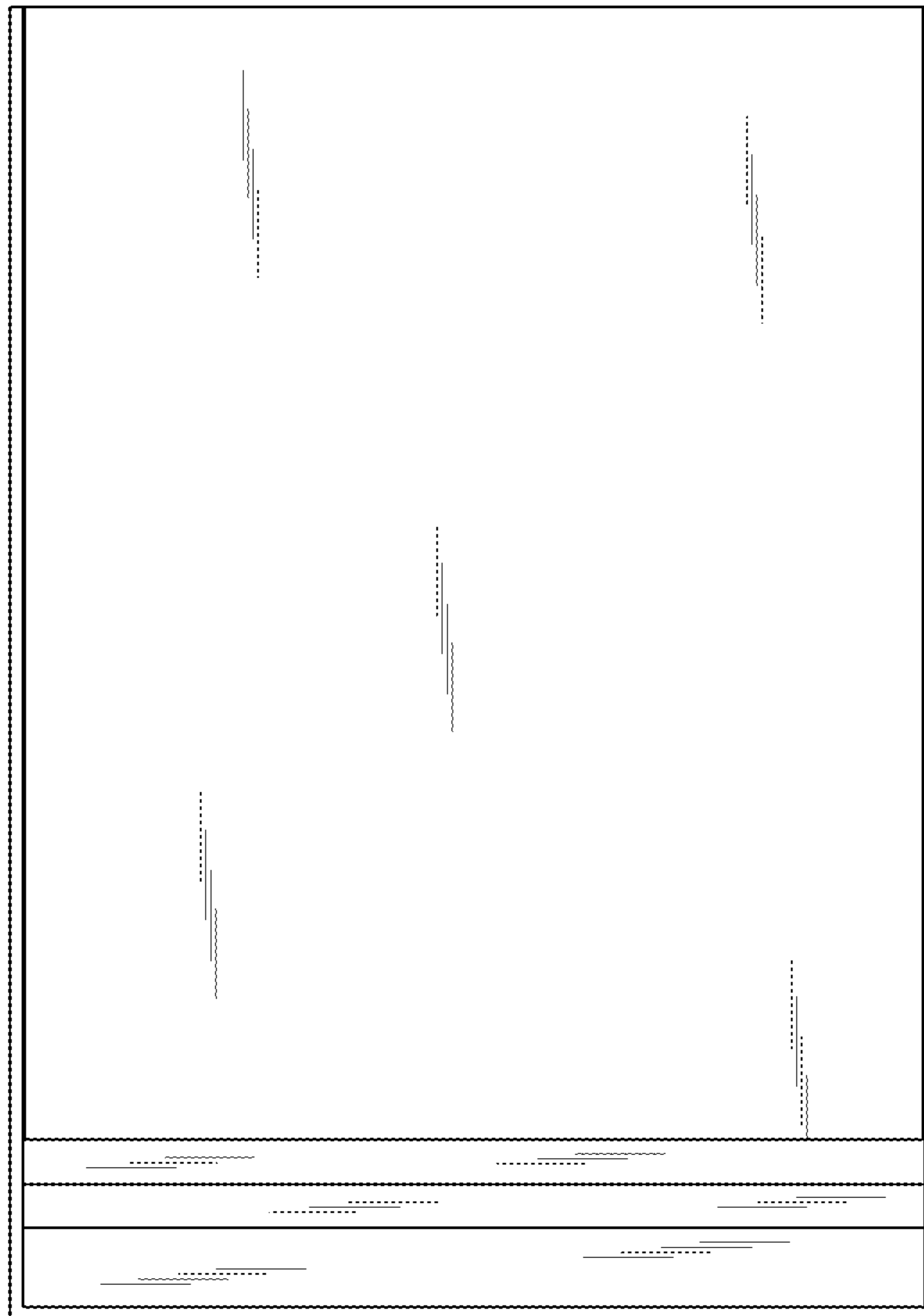
D760,822 S *	7/2016	Lee	D15/91
D760,823 S *	7/2016	Lee	D15/91
D760,824 S *	7/2016	Lee	D15/91
D761,333 S *	7/2016	Lee	D15/86
D761,334 S *	7/2016	Lee	D15/86
D761,336 S *	7/2016	Lee	D15/91
D761,887 S *	7/2016	Seo	D15/89
D762,249 S *	7/2016	Kim	D15/86
D763,329 S *	8/2016	Seo	D15/89
D765,151 S *	8/2016	Park	D15/81
D766,344 S *	9/2016	Kim	D15/86
D767,648 S *	9/2016	Shoemaker	D15/86
D768,738 S *	10/2016	Lee	D15/91
D768,739 S *	10/2016	Lee	D15/91
D775,674 S *	1/2017	Seo	D15/86
D776,173 S *	1/2017	Kim	D15/91
D787,566 S *	5/2017	Seo	D15/85
D787,572 S *	5/2017	Seo	D15/91
D788,187 S *	5/2017	Kim	D15/84
D788,188 S *	5/2017	Seo	D15/86
D788,193 S *	5/2017	Seo	D15/91
D788,194 S *	5/2017	Kwak	D15/91
D788,828 S *	6/2017	Seo	D15/86
2010/0242526 A1 *	9/2010	Junge	F25D 17/065 62/449
2014/0117830 A1 *	5/2014	Lee	F25D 25/025 312/402

* cited by examiner

1.1



1.2



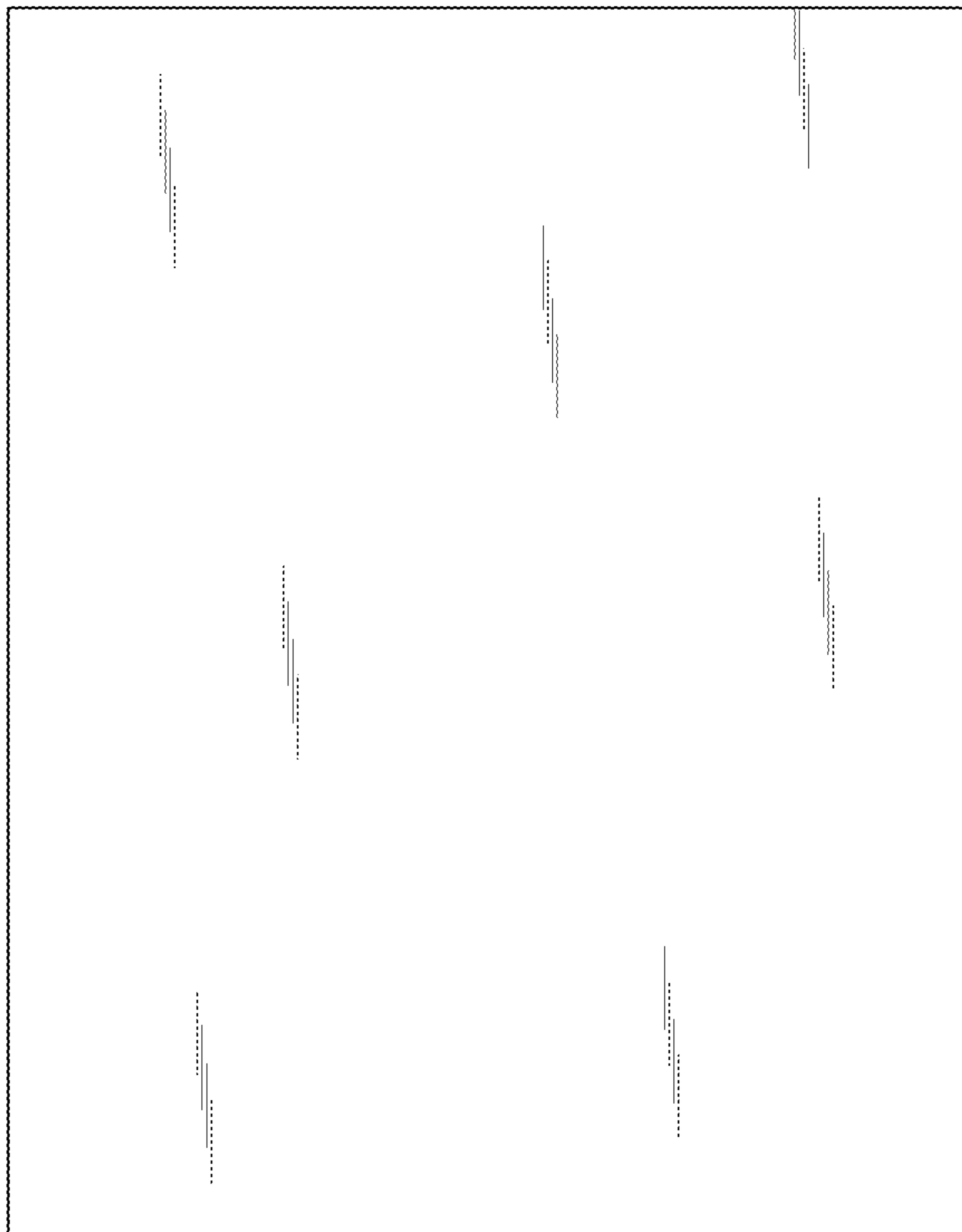
1.3



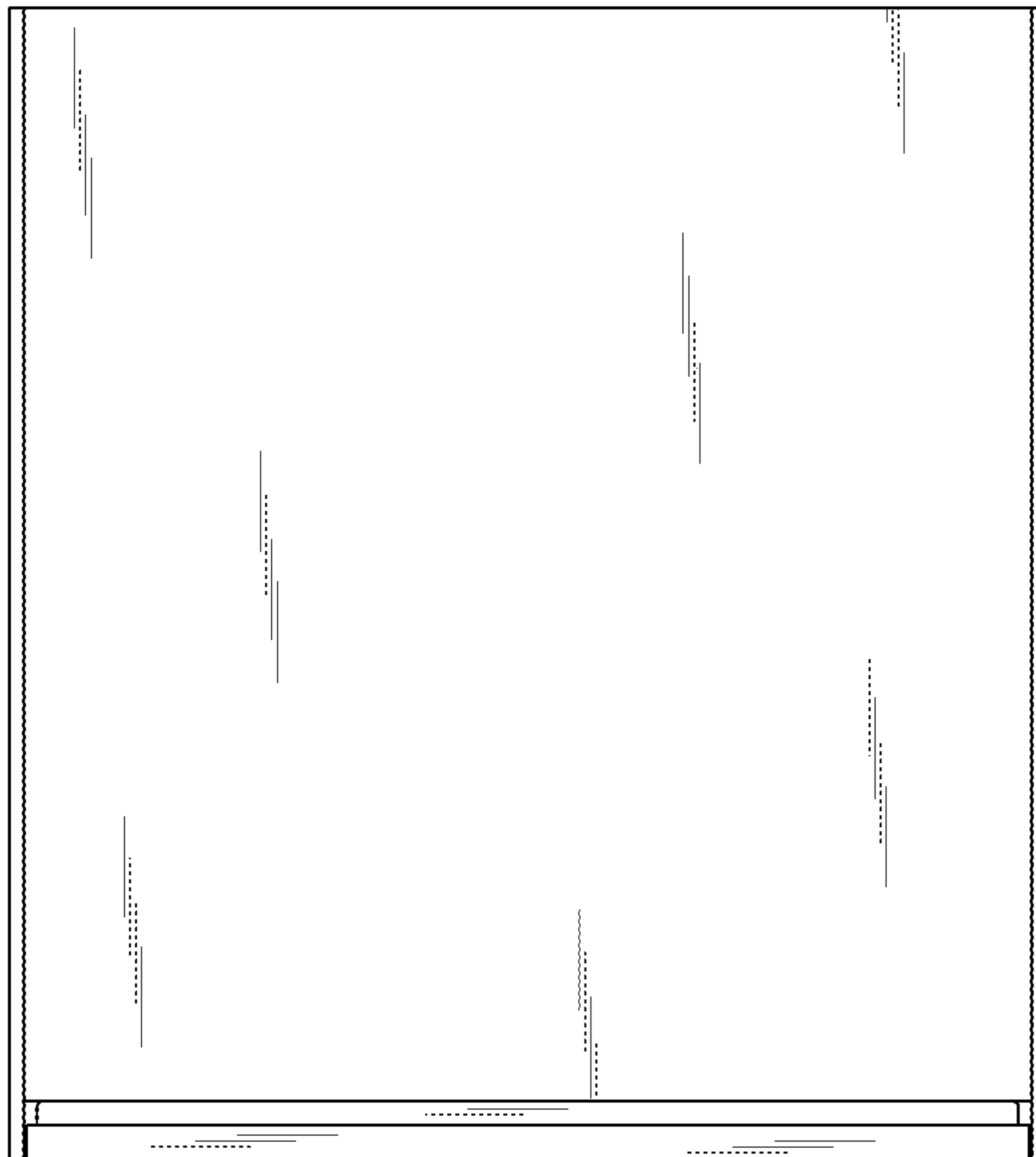
1.4



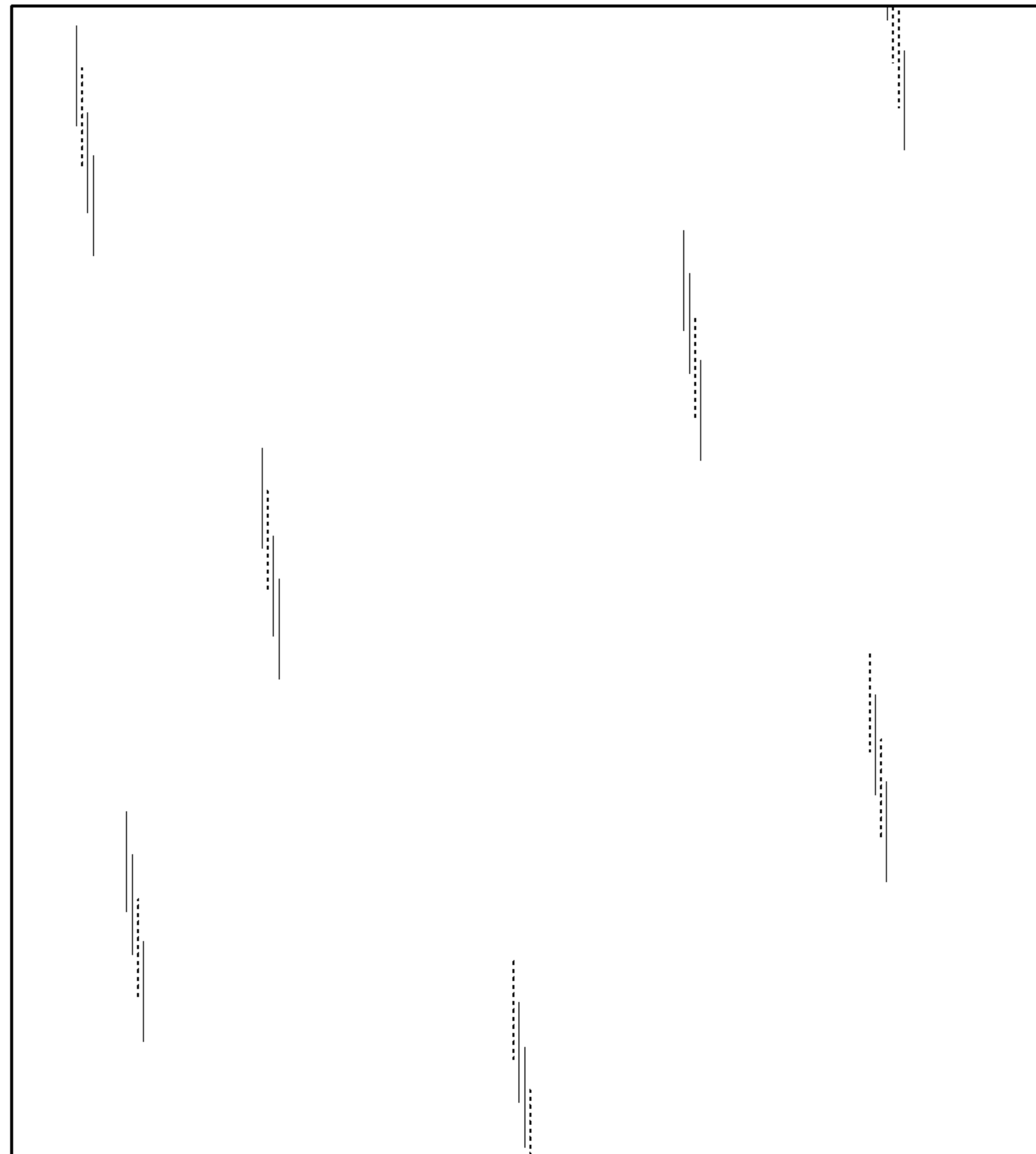
1.5



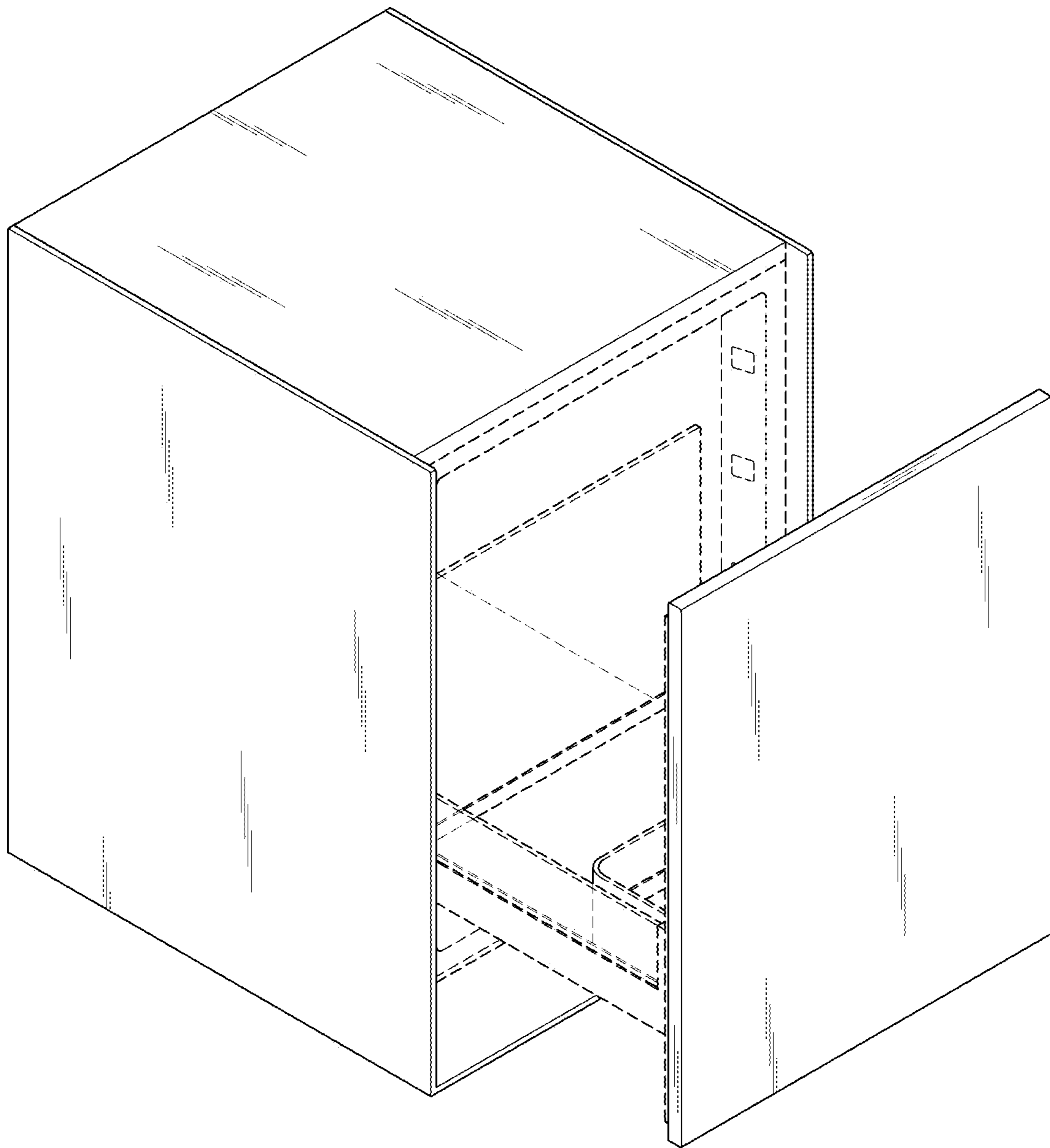
1.6



1.7



1.8



1.9

