



US00D892868S

(12) **United States Design Patent**
Bradford

(10) **Patent No.:** **US D892,868 S**

(45) **Date of Patent:** **** *Aug. 11, 2020**

(54) **TUBING SHOE**

(71) Applicant: **Downhole Products Limited,**
Portlethen (GB)

(72) Inventor: **Keith David Bradford,** Portlethen
(GB)

(73) Assignee: **DOWNHOLE PRODUCTS**
LIMITED, Portlethen (GB)

(*) Notice: This patent is subject to a terminal disclaimer.

(**) Term: **15 Years**

(21) Appl. No.: **29/637,538**

(22) Filed: **Feb. 20, 2018**

(30) **Foreign Application Priority Data**

Aug. 17, 2017 (EP) 004151876

(51) **LOC (12) Cl.** **15-04**

(52) **U.S. Cl.**
USPC **D15/21; D15/139**

(58) **Field of Classification Search**
USPC D8/70; D15/1, 2, 5, 21, 22, 131, 132,
D15/137-140, 147; D23/233, 48;
D7/376, 379, 387, 412, 426
(Continued)

(56) **References Cited**

U.S. PATENT DOCUMENTS

2,181,394 A * 11/1939 Dean E21B 10/10
175/246
D265,205 S * 6/1982 Munson D15/139
(Continued)

FOREIGN PATENT DOCUMENTS

GB 2333542 A * 7/1999 E21B 17/1064
GB 2339227 A * 1/2000 E21B 17/1064
(Continued)

Primary Examiner — Michael C Stout
Assistant Examiner — Fritzgerald L Butac

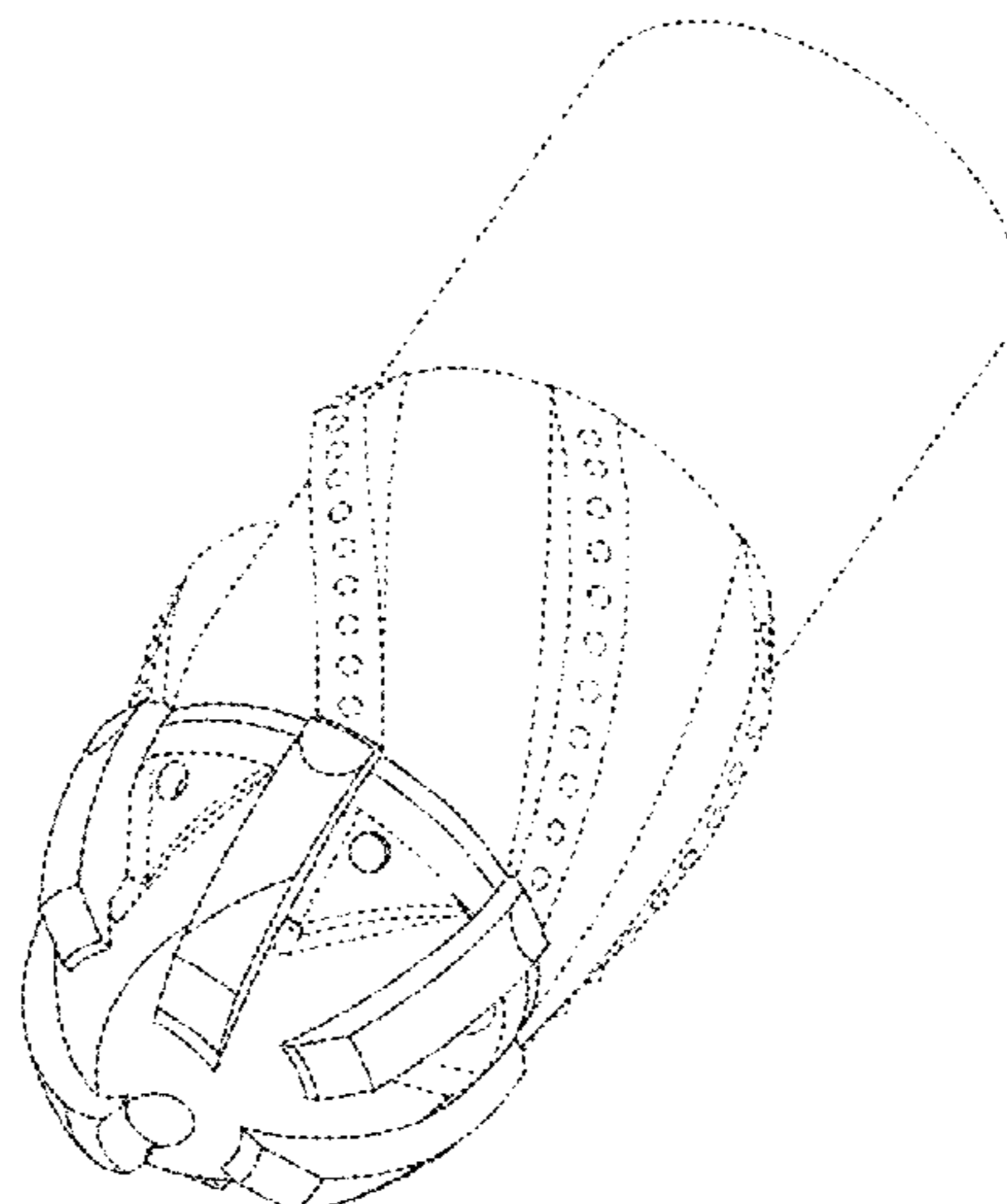
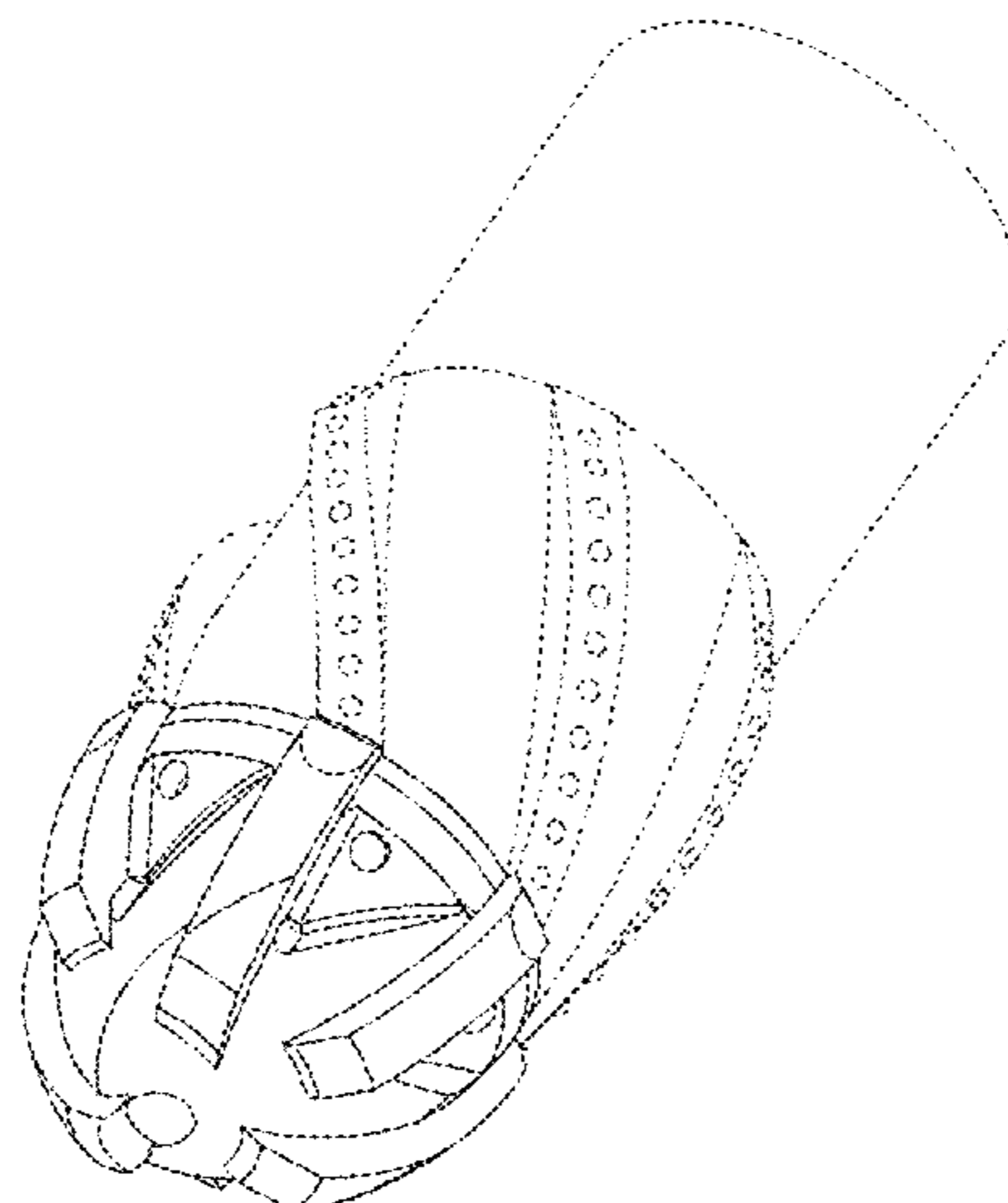
(57) **CLAIM**

The ornamental design for a tubing shoe, as shown and described.

DESCRIPTION

FIG. 1 is a top plan view of a first embodiment of a tubing shoe showing my new design;
FIG. 2 is a bottom view of the tubing shoe of FIG. 1;
FIG. 3 is a side elevation view from the front of the tubing shoe of FIG. 1;
FIG. 4 is a side elevation view from the back of the tubing shoe of FIG. 1;
FIG. 5 is a side elevation view from a left side of the tubing shoe of FIG. 1;
FIG. 6 is a side elevation view from a right side of the tubing shoe of FIG. 1; and
FIG. 7 is a front left side perspective view of the tubing shoe of FIG. 1.
FIG. 8 is a top plan view of a second embodiment of a tubing shoe showing my new design;
FIG. 9 is a bottom view of the tubing shoe of FIG. 8;
FIG. 10 is a side elevation view from the front of the tubing shoe of FIG. 8;
FIG. 11 is a side elevation view from the back of the tubing shoe of FIG. 8;
FIG. 12 is a side elevation view from a left side of the tubing shoe of FIG. 8;
FIG. 13 is a side elevation view from a right side of the tubing shoe of FIG. 8; and,
FIG. 14 is a front left side perspective view of the tubing shoe of FIG. 8.
The broken lines show portions of a tubing shoe that form no part of the claimed design.

1 Claim, 14 Drawing Sheets



US D892,868 S

Page 2

(58) **Field of Classification Search**

CPC E21B 17/1064; E21B 17/14; E21B 17/22
See application file for complete search history.

D674,422 S * 1/2013 Hall D15/131
D678,368 S * 3/2013 Hall D15/131
D682,898 S * 5/2013 Fujii D15/139
8,657,036 B2 * 2/2014 Barron E21B 17/14

(56) **References Cited**

U.S. PATENT DOCUMENTS

D307,020 S * 4/1990 Lyng D15/139
D340,248 S * 10/1993 Brady D15/139
D351,174 S * 10/1994 Brady D15/139
D403,003 S * 12/1998 Arfele D15/139
D492,331 S * 6/2004 Matti E21B 10/10
D15/139
D526,670 S * 8/2006 Ibey B08B 9/0436
D15/139
7,237,628 B2 * 7/2007 Desai E21B 10/55
175/406
D555,683 S * 11/2007 Sakata D15/139
D556,225 S * 11/2007 Sakata D15/139
D630,233 S * 1/2011 Ford D15/123

D705,827 S * 5/2014 Hammargren D15/139
D708,238 S * 7/2014 Matti D15/139
D725,164 S * 3/2015 Guerriero D15/139
D775,676 S * 1/2017 Matti E21B 33/128
D15/139
10,005,168 B2 * 6/2018 Lokkinen B08B 9/0436
D823,908 S * 7/2018 Osterholm D15/139
D827,000 S * 8/2018 VanLue E21B 33/128
D15/138
D831,714 S * 10/2018 Osterholm D15/139

FOREIGN PATENT DOCUMENTS

GB 2446742 A * 8/2008 E21B 10/26
WO WO-9937881 A2 * 7/1999 E21B 17/1064

* cited by examiner

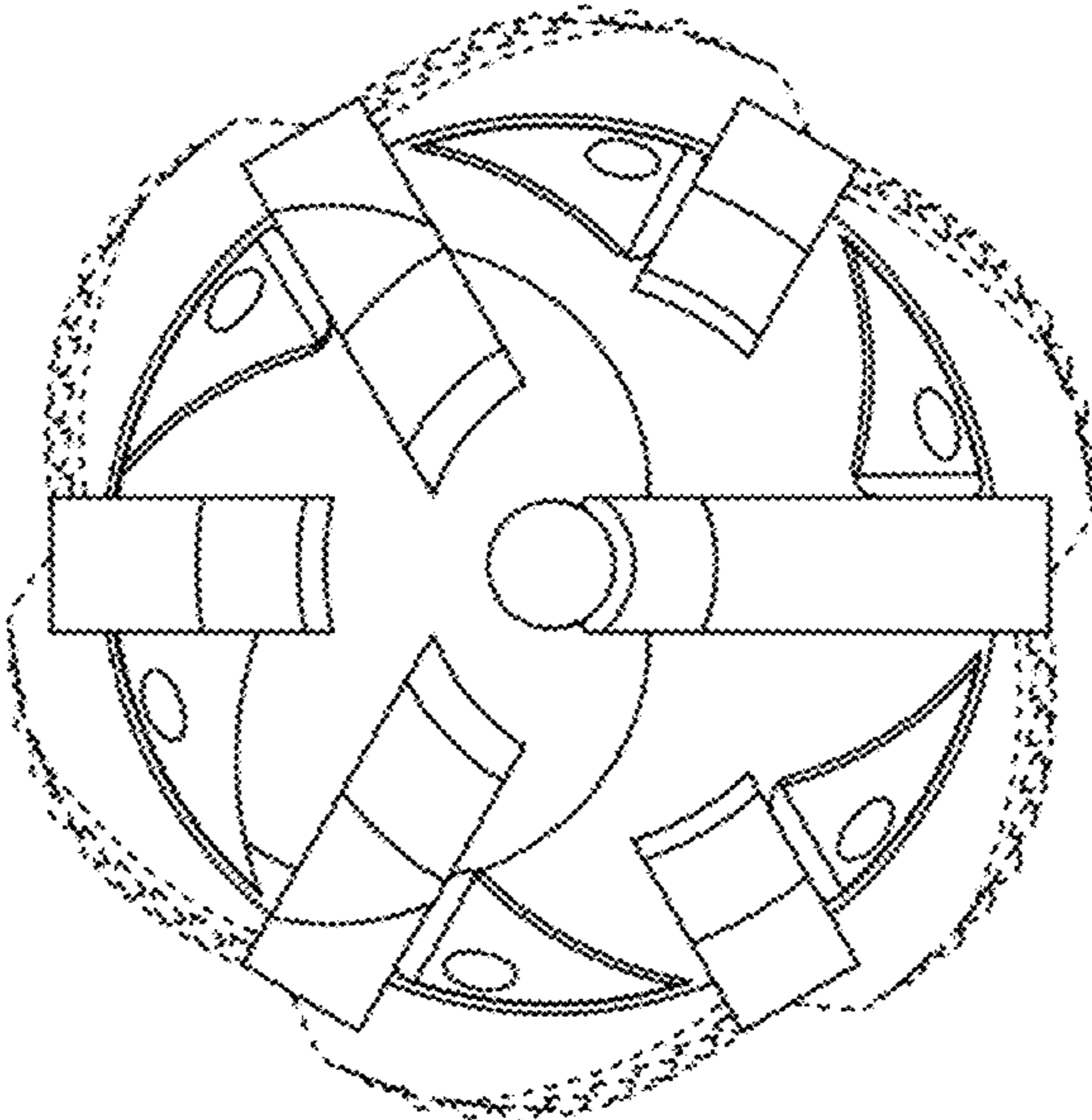


FIG. 1

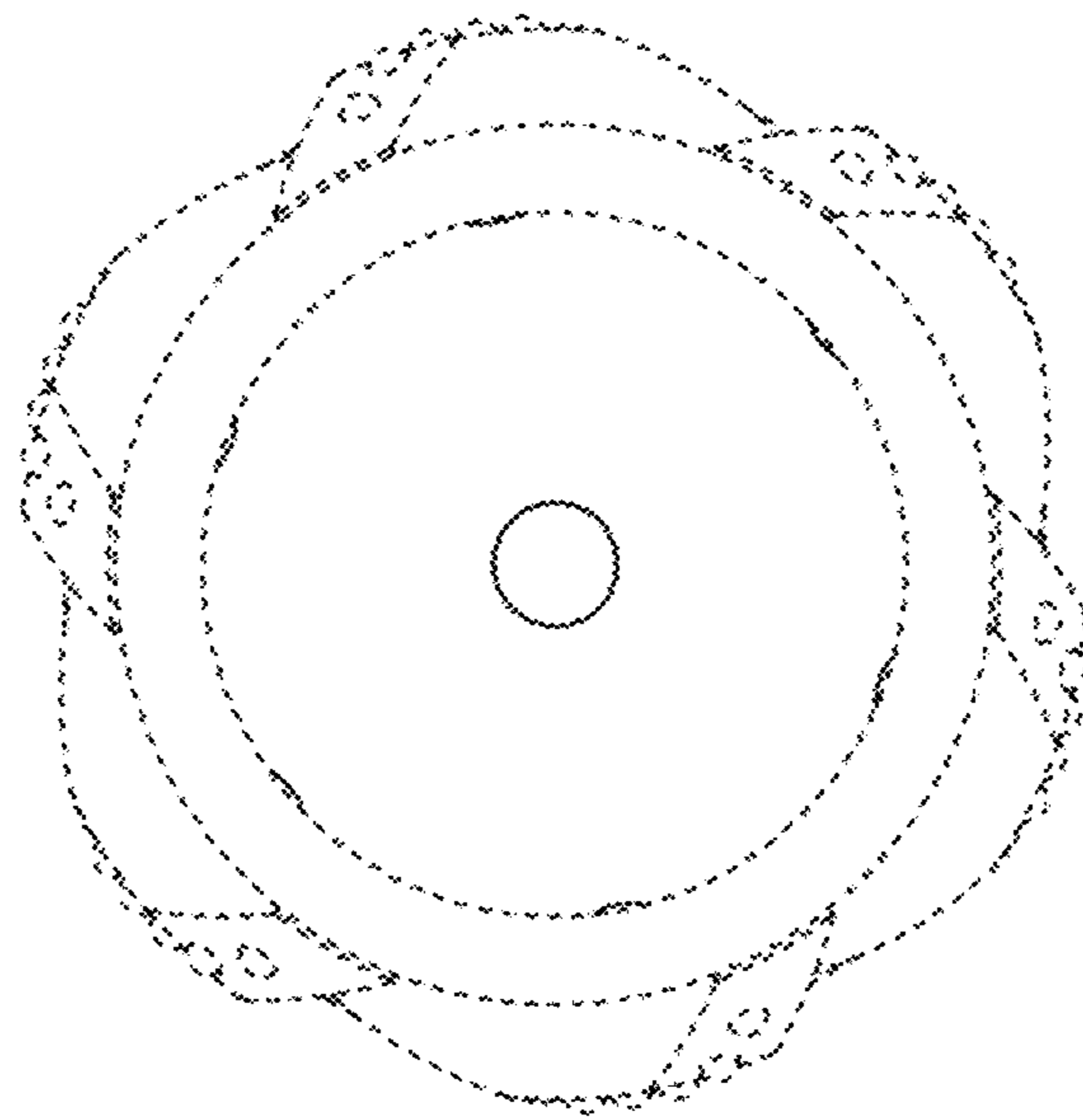


FIG. 2

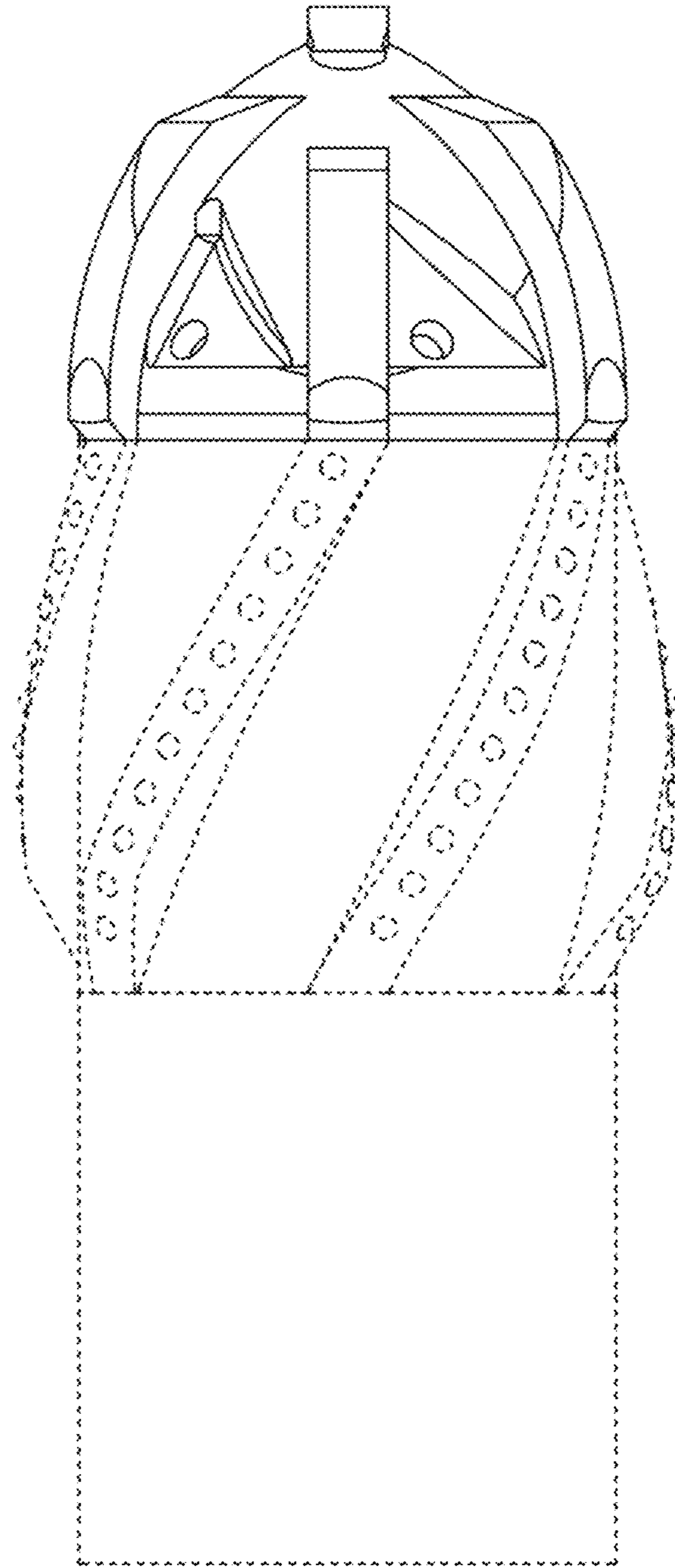


FIG. 3

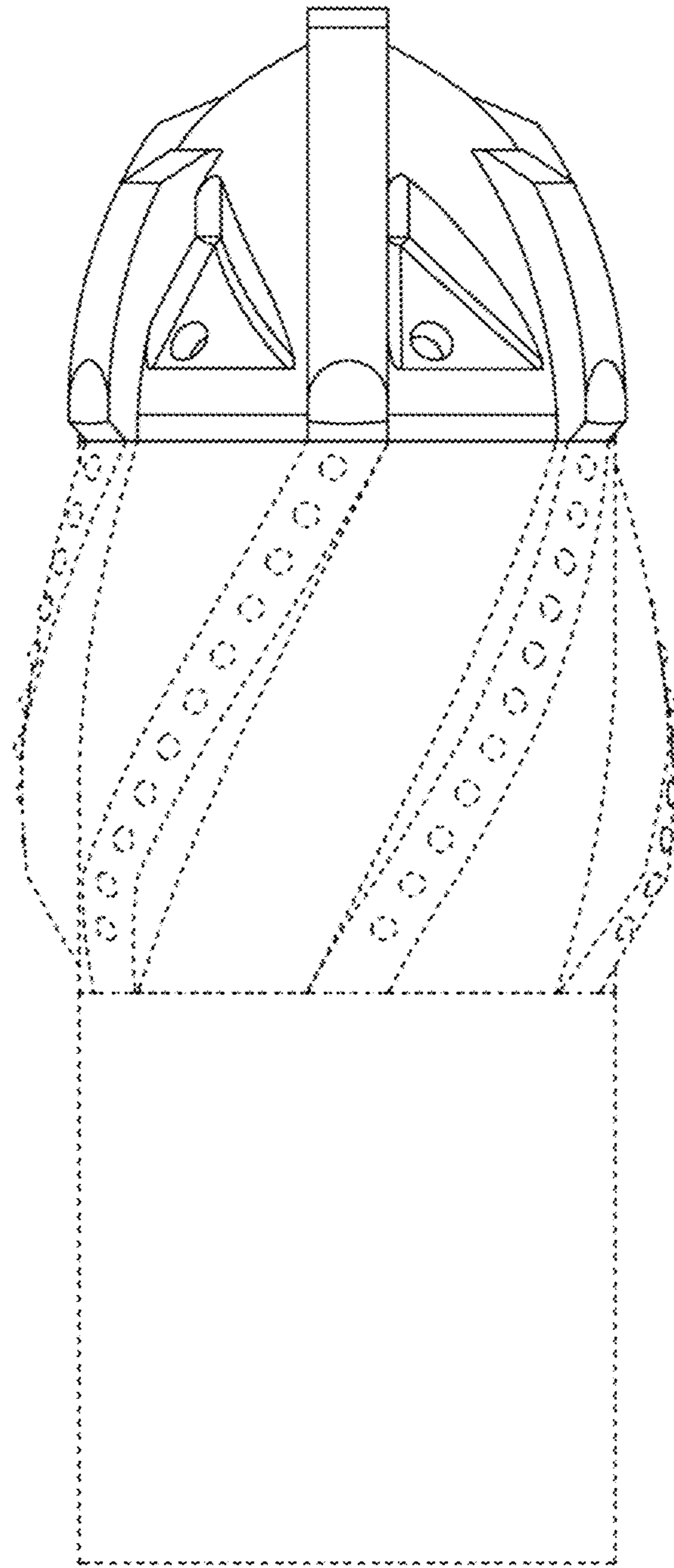


FIG. 4

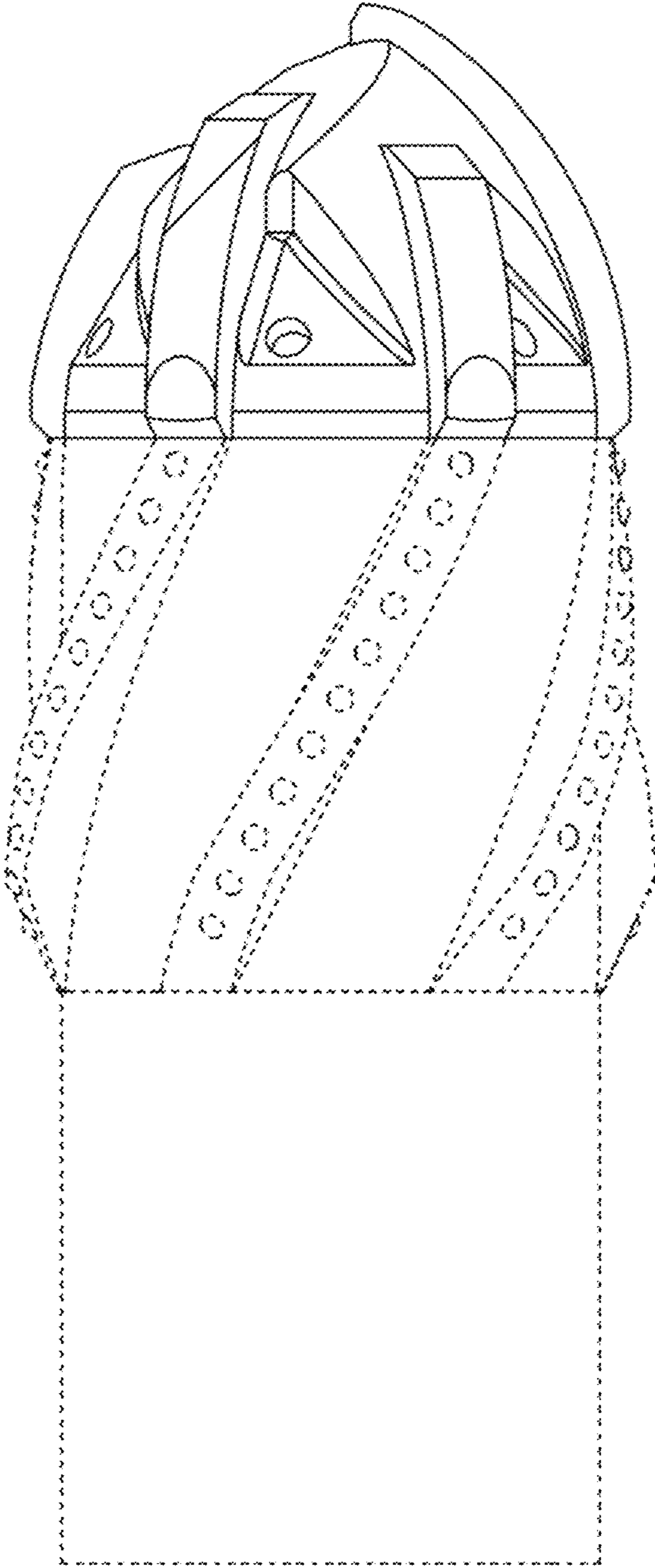


FIG. 5

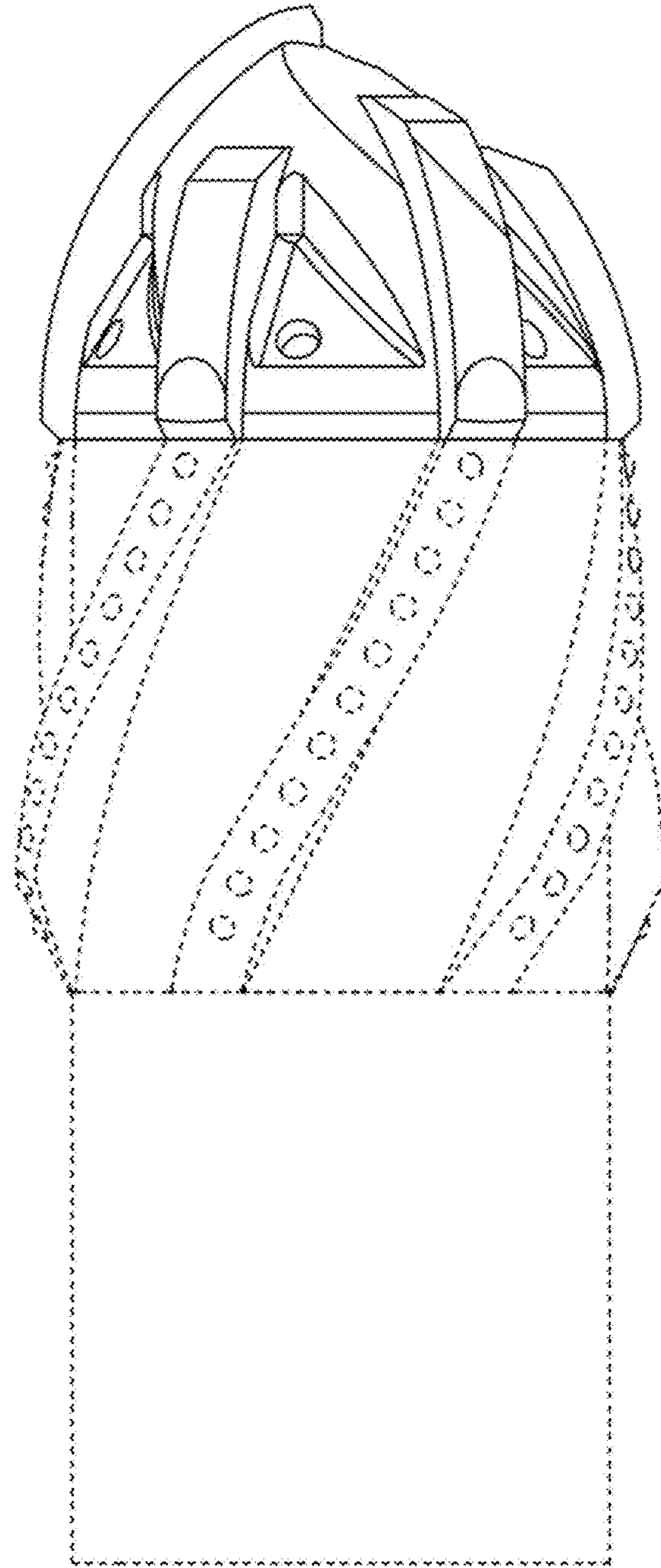


FIG. 6

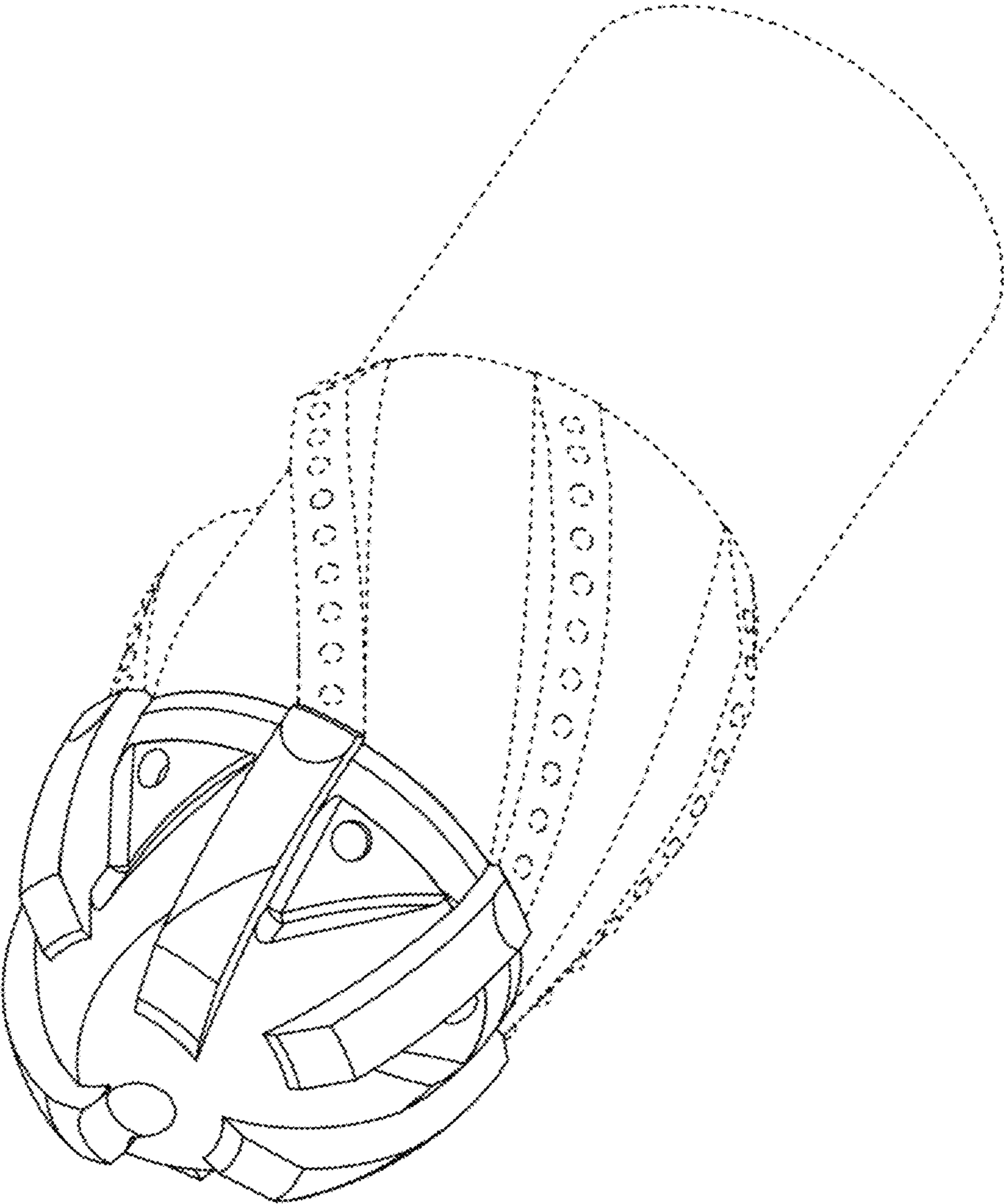


FIG. 7

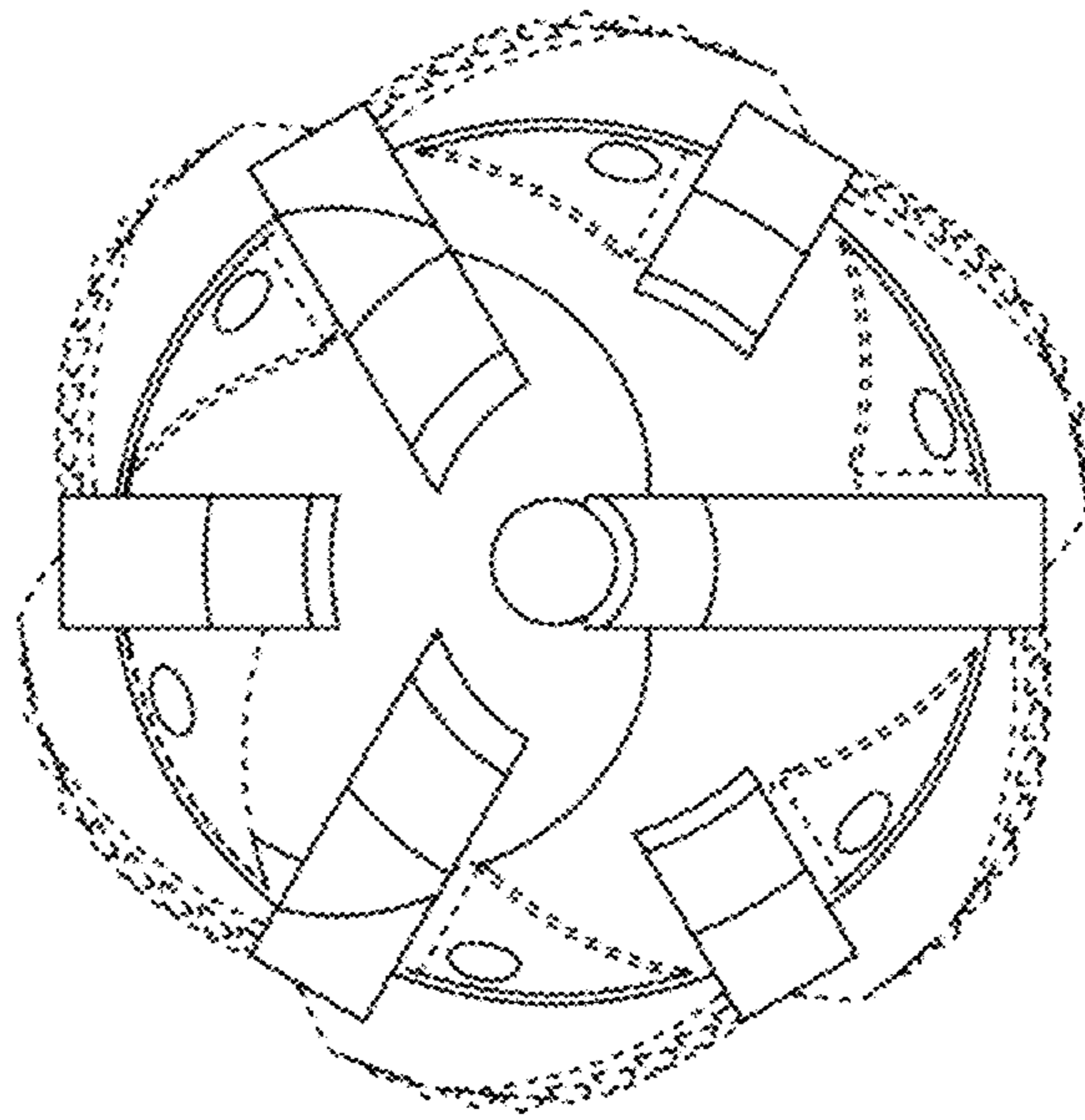


FIG. 8

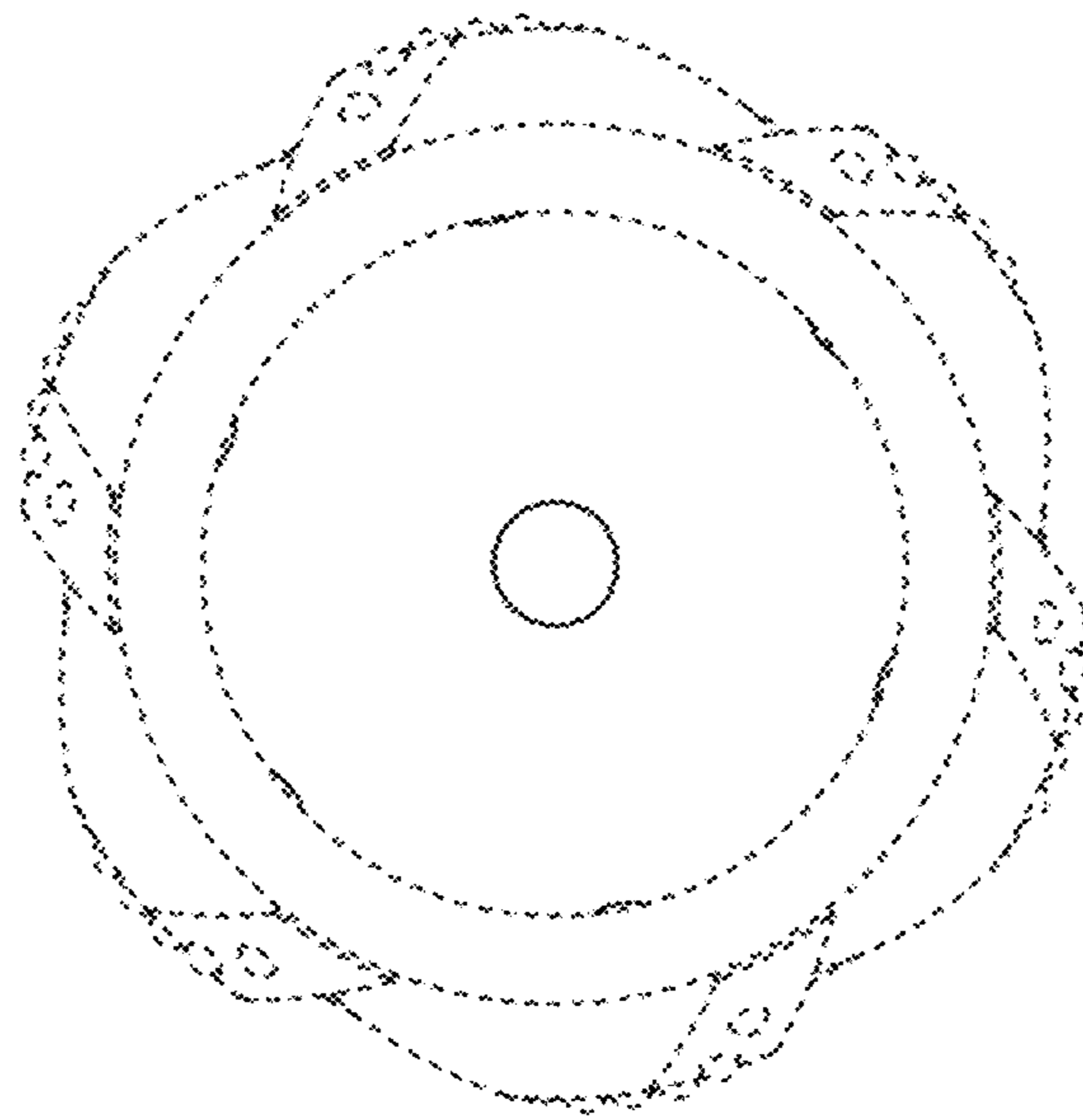


FIG. 9

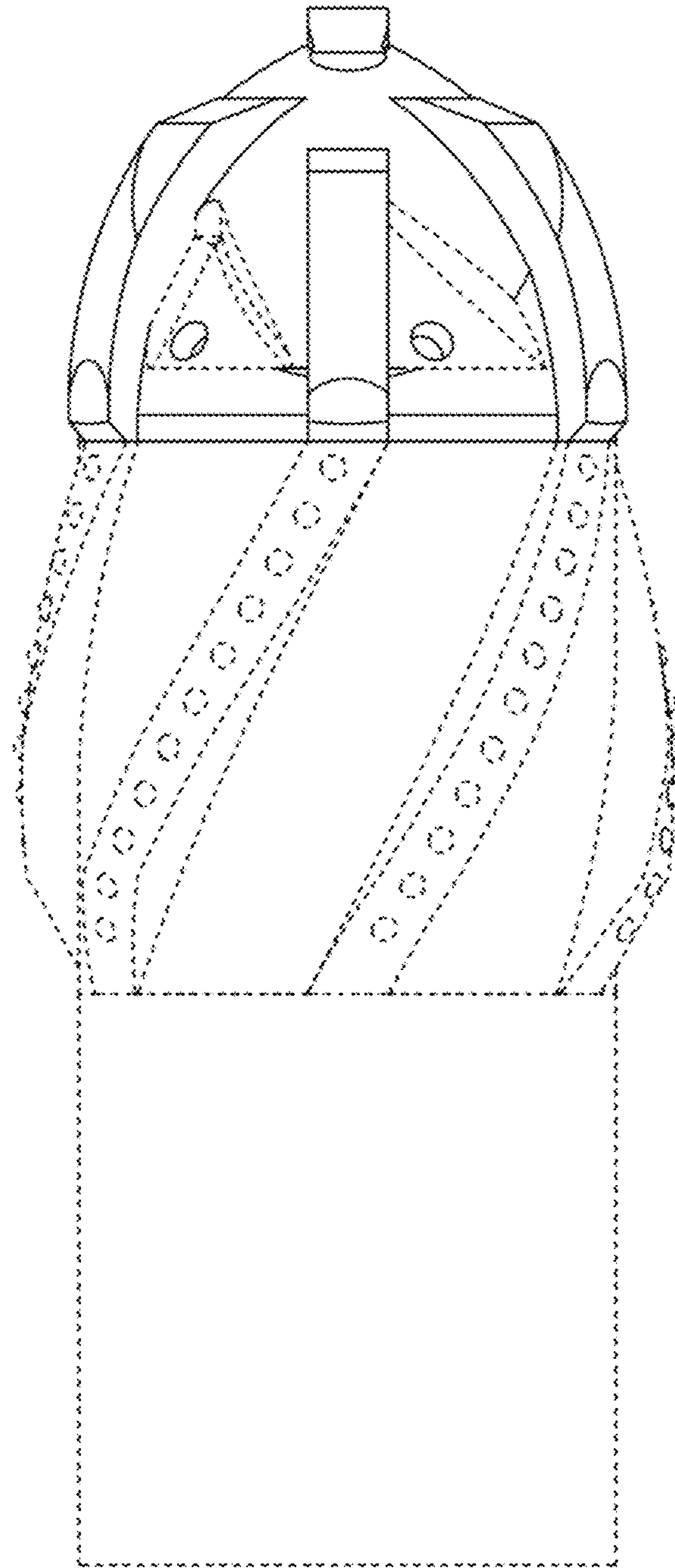


FIG. 10

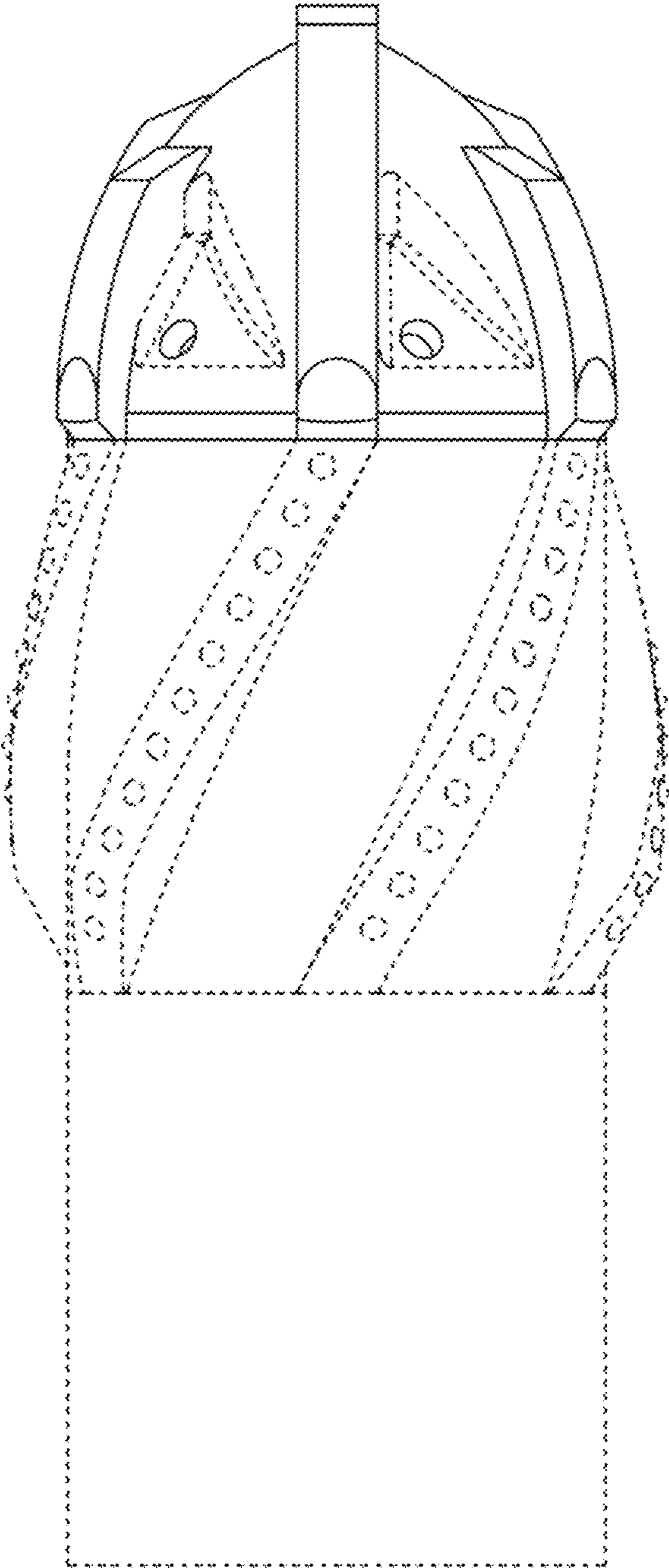


FIG. 11

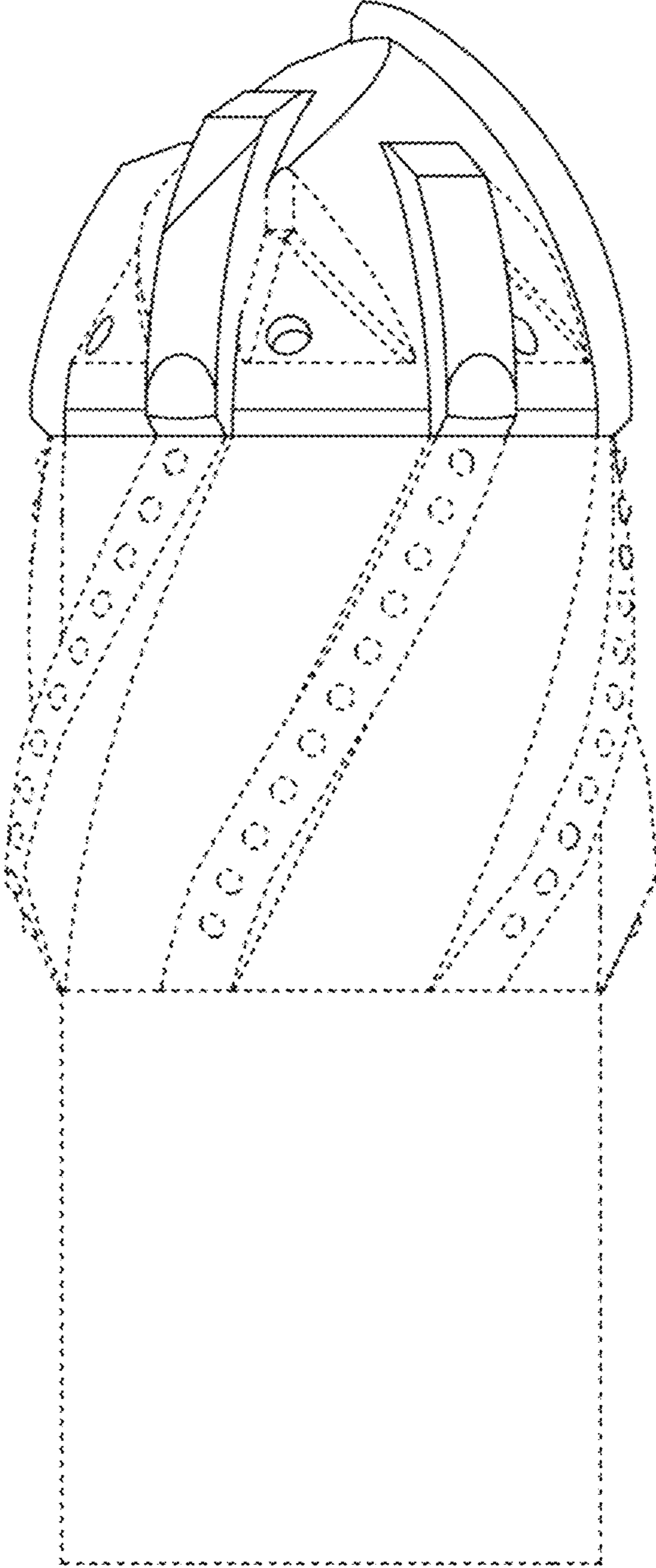


FIG. 12

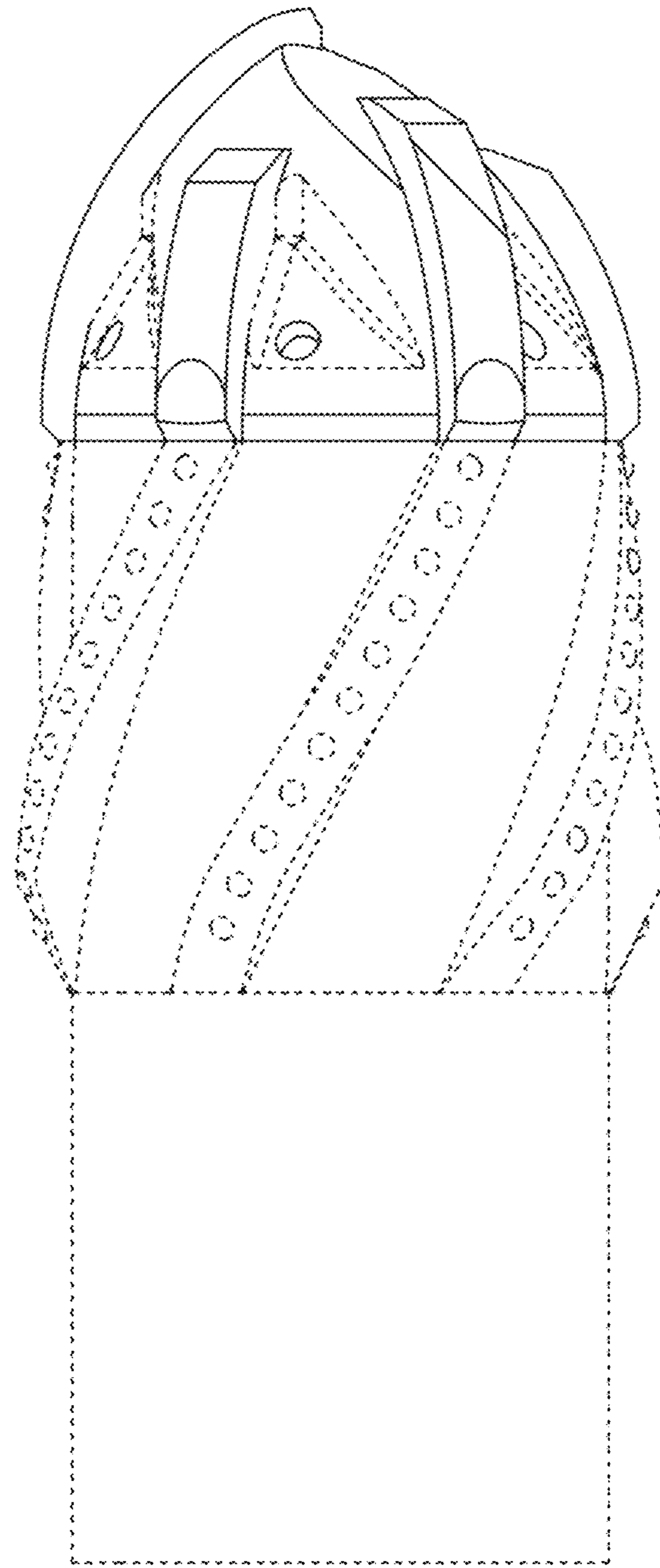


FIG. 13

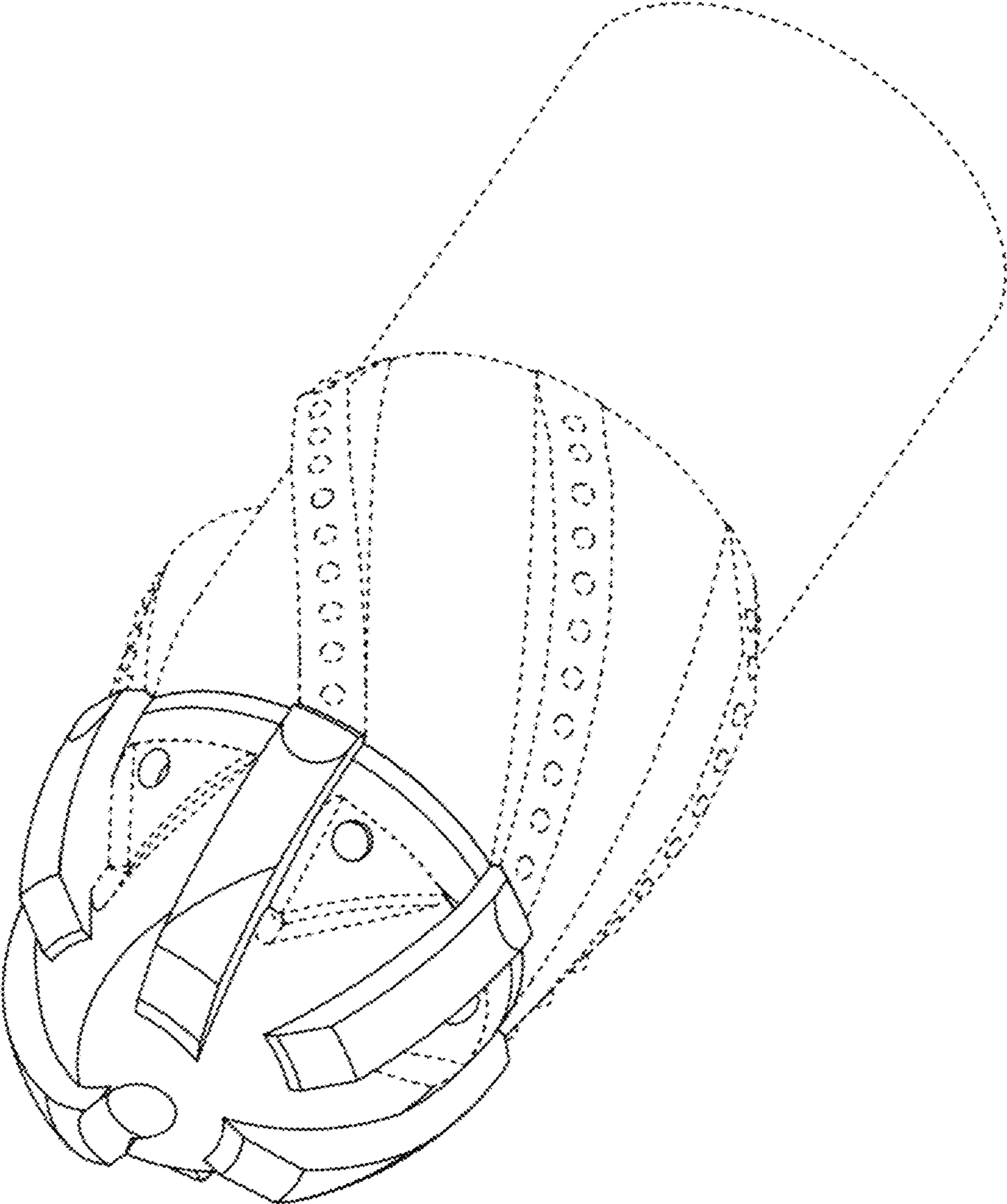


FIG. 14