



US00D892867S

(12) **United States Design Patent**  
**Vintzel**

(10) **Patent No.:** **US D892,867 S**

(45) **Date of Patent:** **\*\* Aug. 11, 2020**

(54) **AIR COMPRESSOR**

(71) Applicant: **Harbor Freight Tools USA, Inc.**,  
Calabasas, CA (US)

(72) Inventor: **James Constantine Vintzel**, Jackson,  
TN (US)

(73) Assignee: **Harbor Freight Tools USA, INC.**,  
Calabasas, CA (US)

(\*\*) Term: **15 Years**

(21) Appl. No.: **29/733,746**

(22) Filed: **May 6, 2020**

**Related U.S. Application Data**

(62) Division of application No. 29/685,459, filed on Mar.  
28, 2019.

(51) **LOC (12) Cl.** ..... **15-02**

(52) **U.S. Cl.**  
USPC ..... **D15/9; D15/7**

(58) **Field of Classification Search**  
USPC ..... D15/7-9; D23/231-232; D13/103;  
D24/111

CPC .... F04B 41/00; F04B 41/02-06; F04B 31/00;  
F04B 35/00; F04B 53/92; F04B 1/005;  
F04B 23/00; F02M 37/04; F02M 37/14  
See application file for complete search history.

(56) **References Cited**

**U.S. PATENT DOCUMENTS**

D444,796 S 7/2001 Morgan  
D444,797 S 7/2001 Davis  
D460,763 S \* 7/2002 Buck ..... D15/9  
D461,196 S 8/2002 Buck  
D471,918 S 3/2003 Buck  
D471,919 S 3/2003 Buck  
D482,371 S 11/2003 Buck

D487,096 S \* 2/2004 Buck ..... D15/9  
D491,197 S 6/2004 Stilwell  
D493,179 S 7/2004 Buck  
D499,120 S 11/2004 Buck  
D499,747 S 12/2004 Buck  
D505,430 S 5/2005 Buck  
D512,075 S 11/2005 Buck  
D529,518 S 10/2006 Buck

(Continued)

**OTHER PUBLICATIONS**

Amazon, Stealth Air Compressor Portable Hot Dog Compressor,  
[site visited Apr. 21, 2020], Sold on Amazon.com, URL:<<https://www.amazon.com/Metabo-HPT-Ec28M-Ultra-Quiet-Lightweight/dp/>> (Sep. 16, 2019) (Year: 2019).

(Continued)

*Primary Examiner* — Sheryl Lane

*Assistant Examiner* — Mark T Philipps

(74) *Attorney, Agent, or Firm* — McAndrews Held &  
Malloy, Ltd.

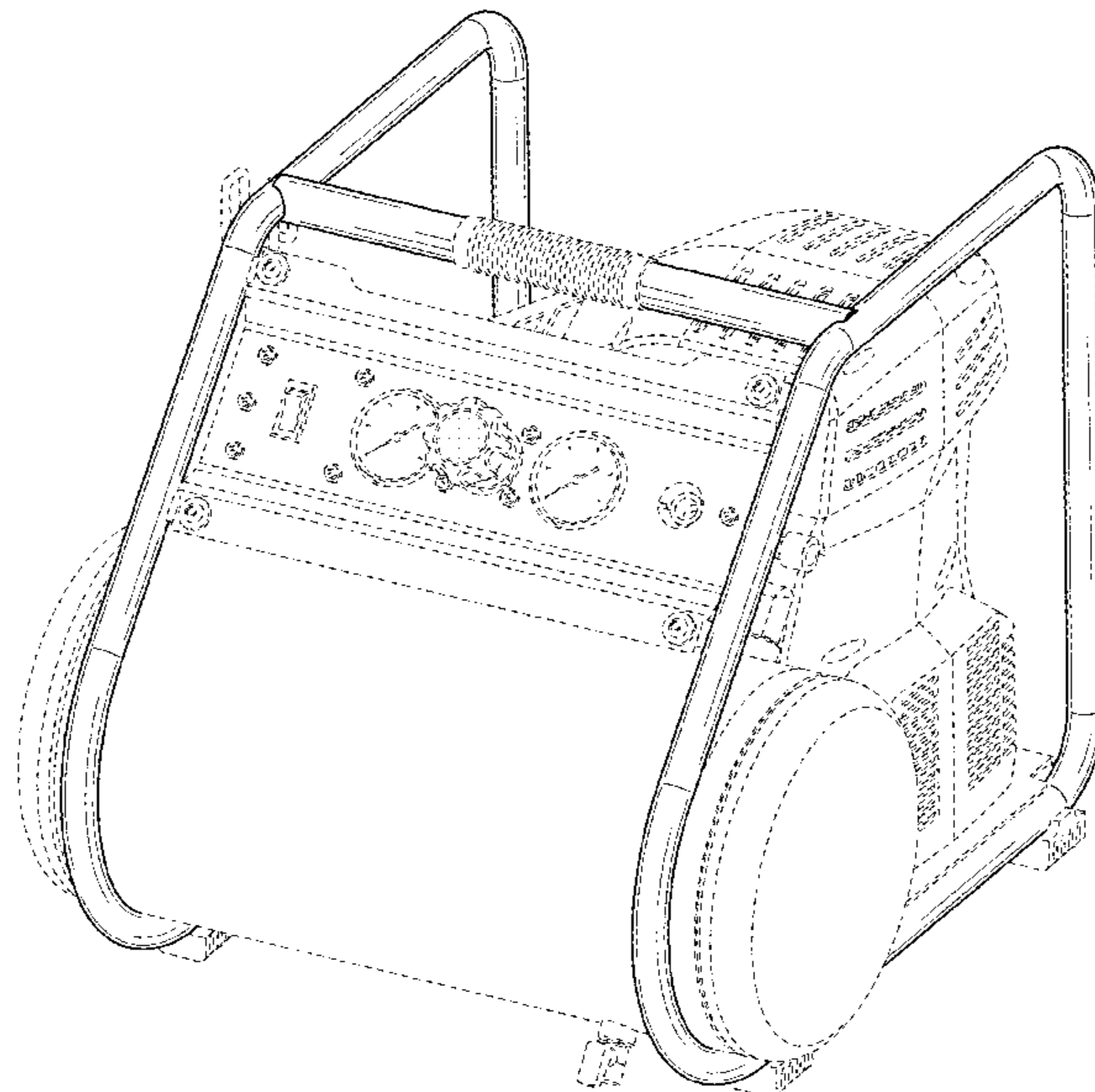
(57) **CLAIM**

The ornamental design for an air compressor, as shown and  
described.

**DESCRIPTION**

FIG. 1 is a top-front perspective view of an air compressor  
showing my design according to a first embodiment;  
FIG. 2 is a front elevation view thereof;  
FIG. 3 is a rear elevation thereof;  
FIG. 4 is a right side elevation view thereof;  
FIG. 5 is a left side elevation view thereof;  
FIG. 6 is a top plan view thereof;  
FIG. 7 is a bottom plan view thereof; and,  
FIG. 8 is a bottom-rear perspective view thereof.  
The dashed broken lines in the figures illustrate portions of  
the air compressor that form no part of the claimed design.

**1 Claim, 8 Drawing Sheets**



(56)

References Cited

U.S. PATENT DOCUMENTS

D531,191 S \* 10/2006 Smith ..... D15/9  
 D534,550 S \* 1/2007 Beecham ..... D15/9  
 7,163,382 B1 1/2007 Stillwell  
 D537,840 S \* 3/2007 Smith ..... D15/9  
 D537,841 S \* 3/2007 Smith ..... D15/9  
 D541,306 S 4/2007 Welsh  
 D553,647 S 10/2007 Steinfels  
 D555,173 S 11/2007 Smith  
 D559,272 S 1/2008 Buck  
 D575,309 S 8/2008 Steinfels  
 D590,843 S \* 4/2009 Averill ..... D15/9  
 D603,871 S 11/2009 Steinfels  
 D604,746 S 11/2009 Nishido  
 7,909,584 B2 3/2011 Etter  
 D662,517 S 6/2012 Hawkins  
 D664,996 S \* 8/2012 Hsiao ..... D15/9  
 D668,267 S \* 10/2012 Hawkins ..... D15/7  
 D680,555 S 4/2013 Craig  
 D680,556 S \* 4/2013 Craig ..... D15/7  
 D691,639 S 10/2013 Hirai

8,770,341 B2 7/2014 Wood  
 D710,902 S 8/2014 Vintzel  
 D710,903 S 8/2014 Vintzel  
 D806,134 S 12/2017 Wood  
 D806,135 S 12/2017 Wood  
 D806,753 S 1/2018 Wood  
 D806,755 S 1/2018 Wood  
 D806,756 S 1/2018 Wood  
 D832,892 S 11/2018 Wood  
 D854,585 S 7/2019 Bindhammer  
 D880,531 S \* 4/2020 Gao ..... D15/9  
 D883,333 S \* 5/2020 Boccato ..... D15/9  
 D883,334 S \* 5/2020 Boccato ..... D15/9

OTHER PUBLICATIONS

Amazon, Metabo HPT Air Compressor, [site visited Apr. 21, 2020],  
 Sold on Amazon.com, URL:<<https://www.amazon.com/California-Air-Tools-CAT-1P1060S-Compressor/db/B01LYHYHEA>> (Jan. 13, 2019) (Year: 2019).

\* cited by examiner

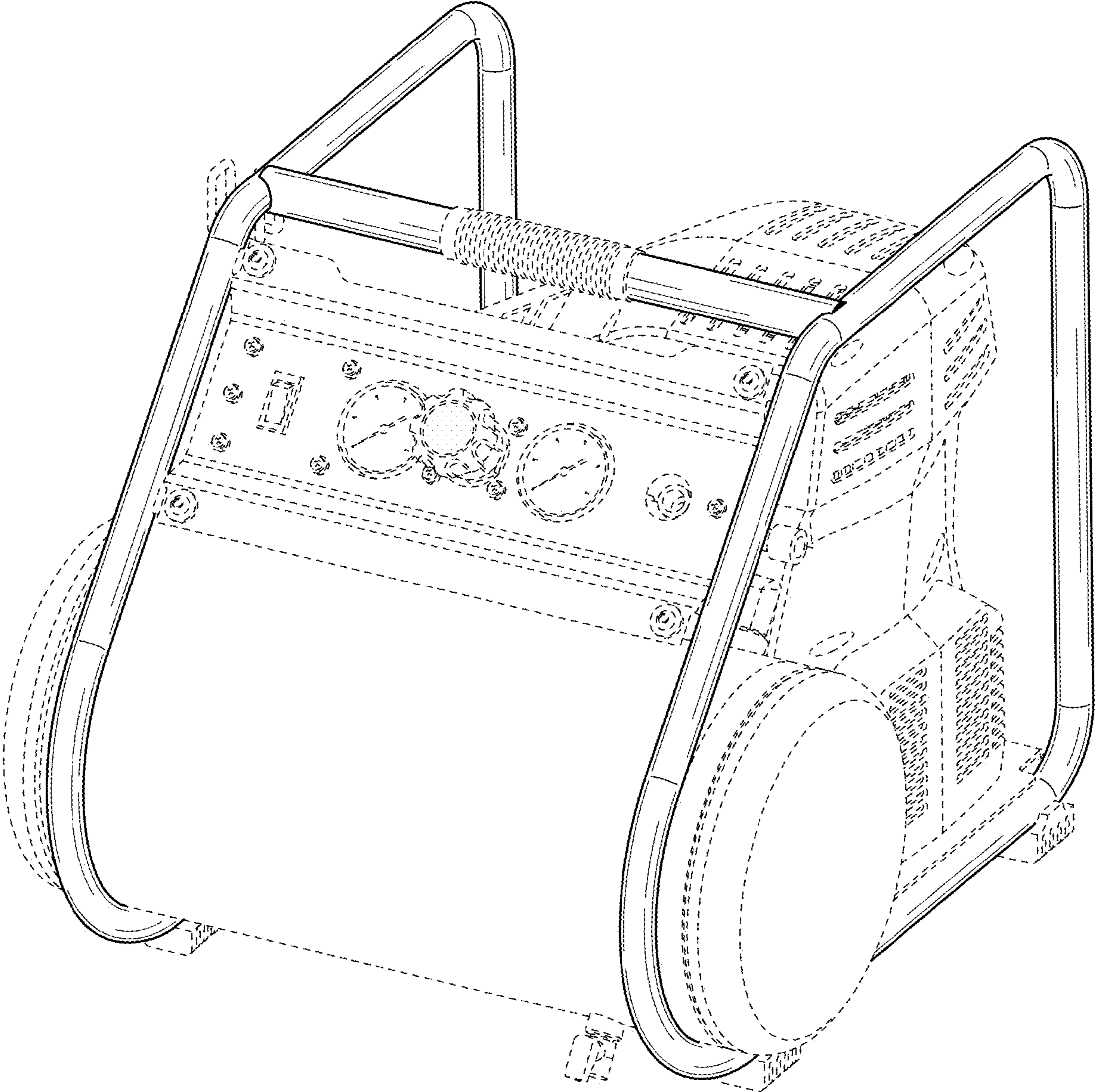


FIG. 1

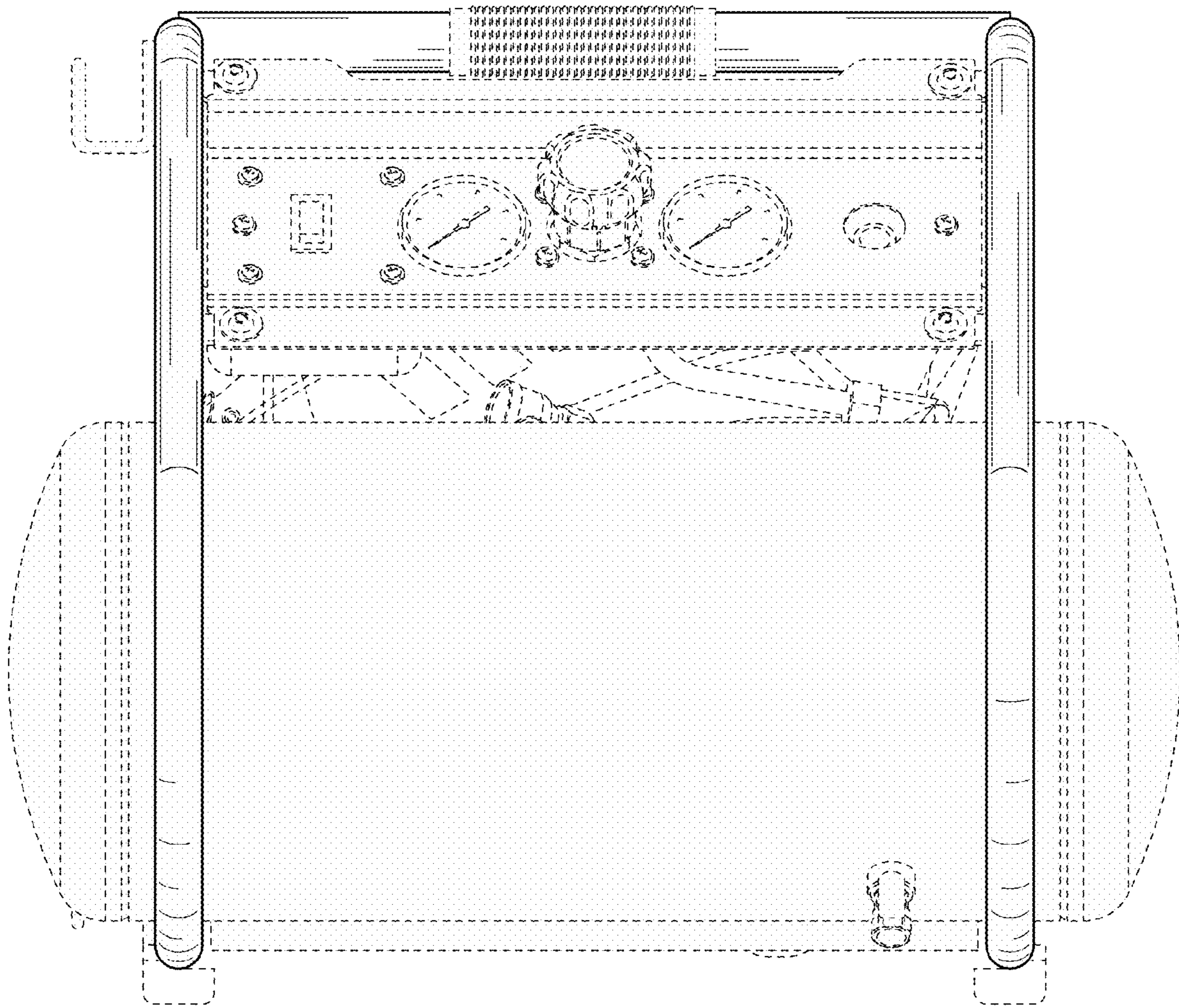


FIG. 2

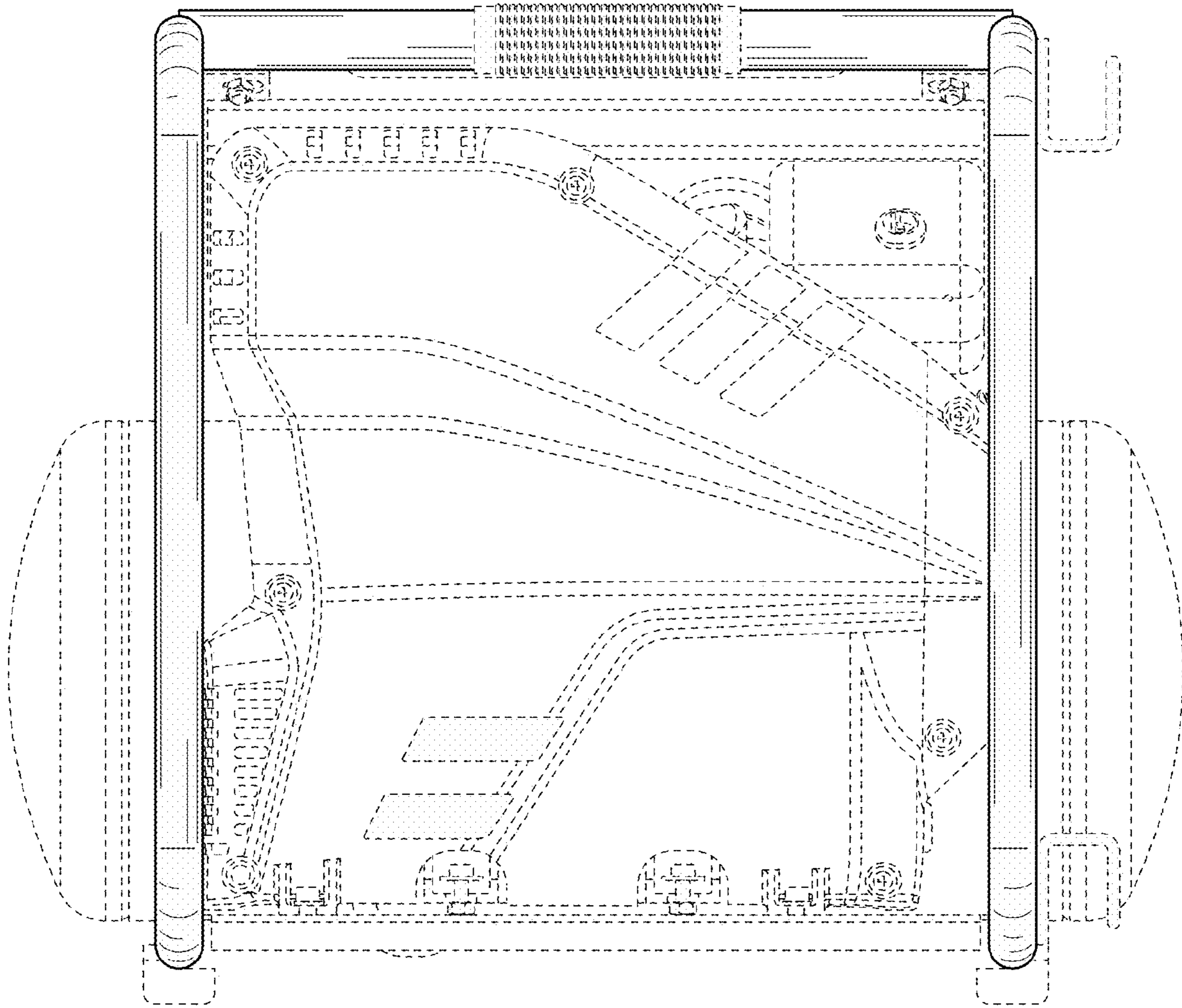


FIG. 3

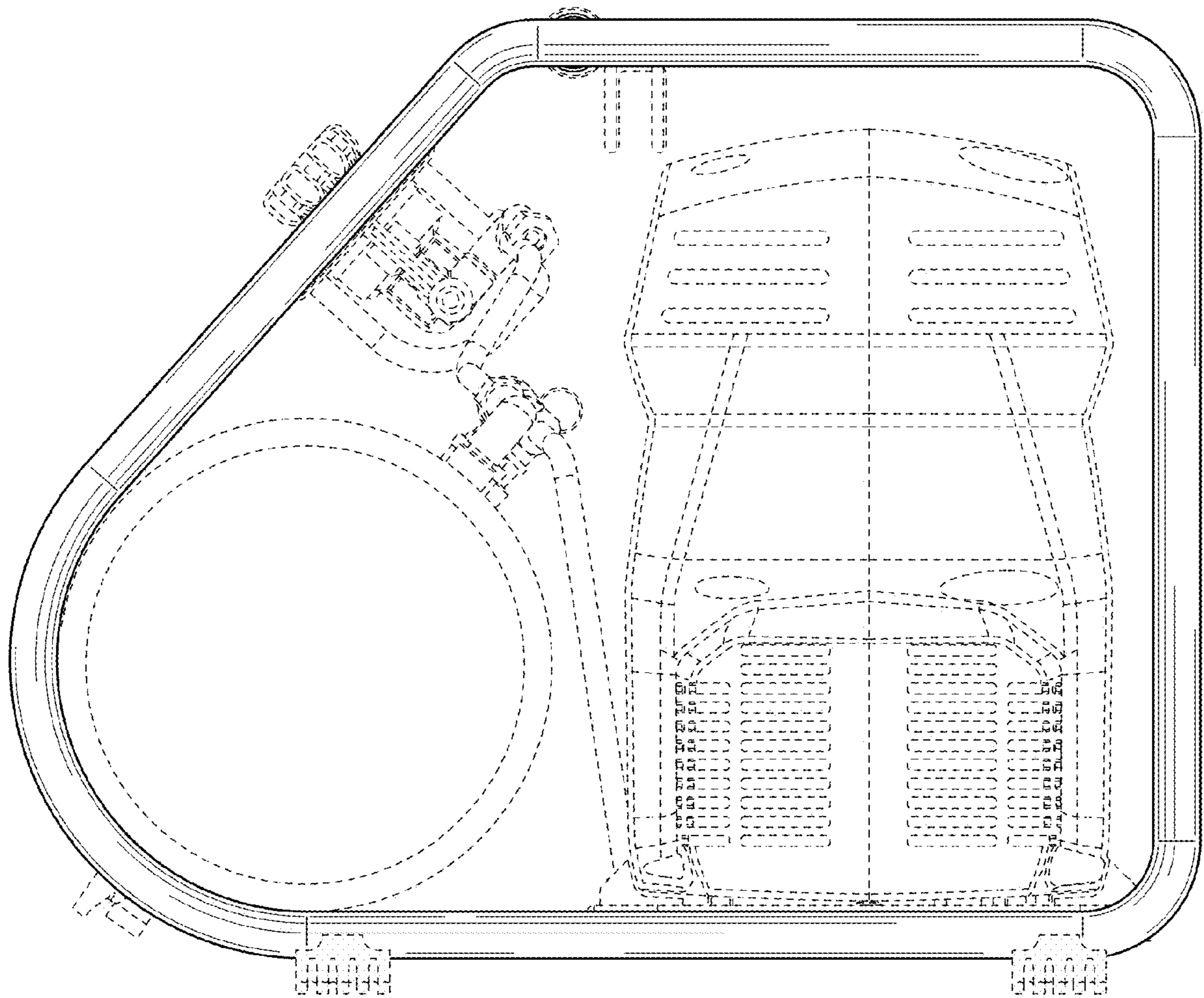


FIG. 4

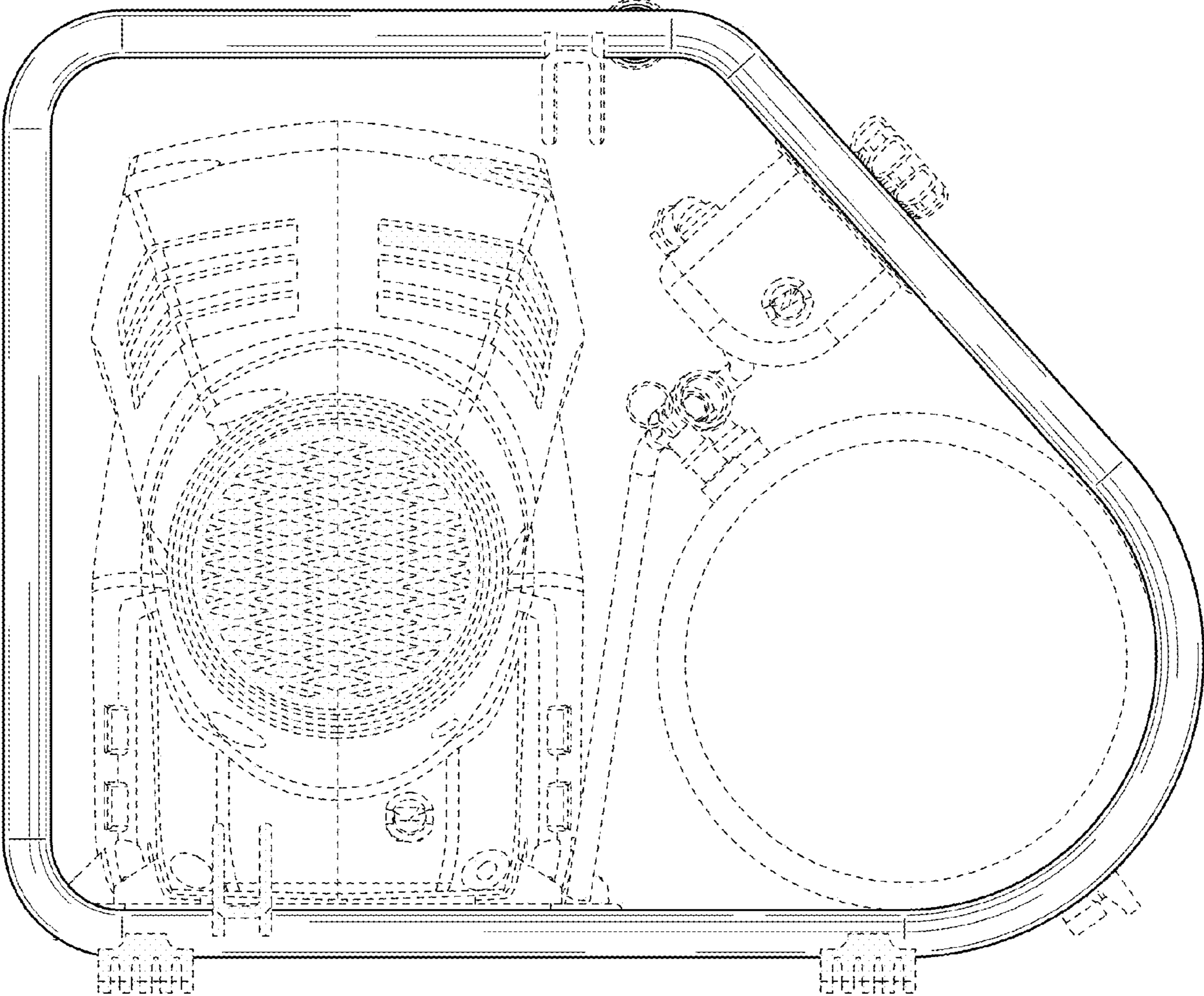


FIG. 5

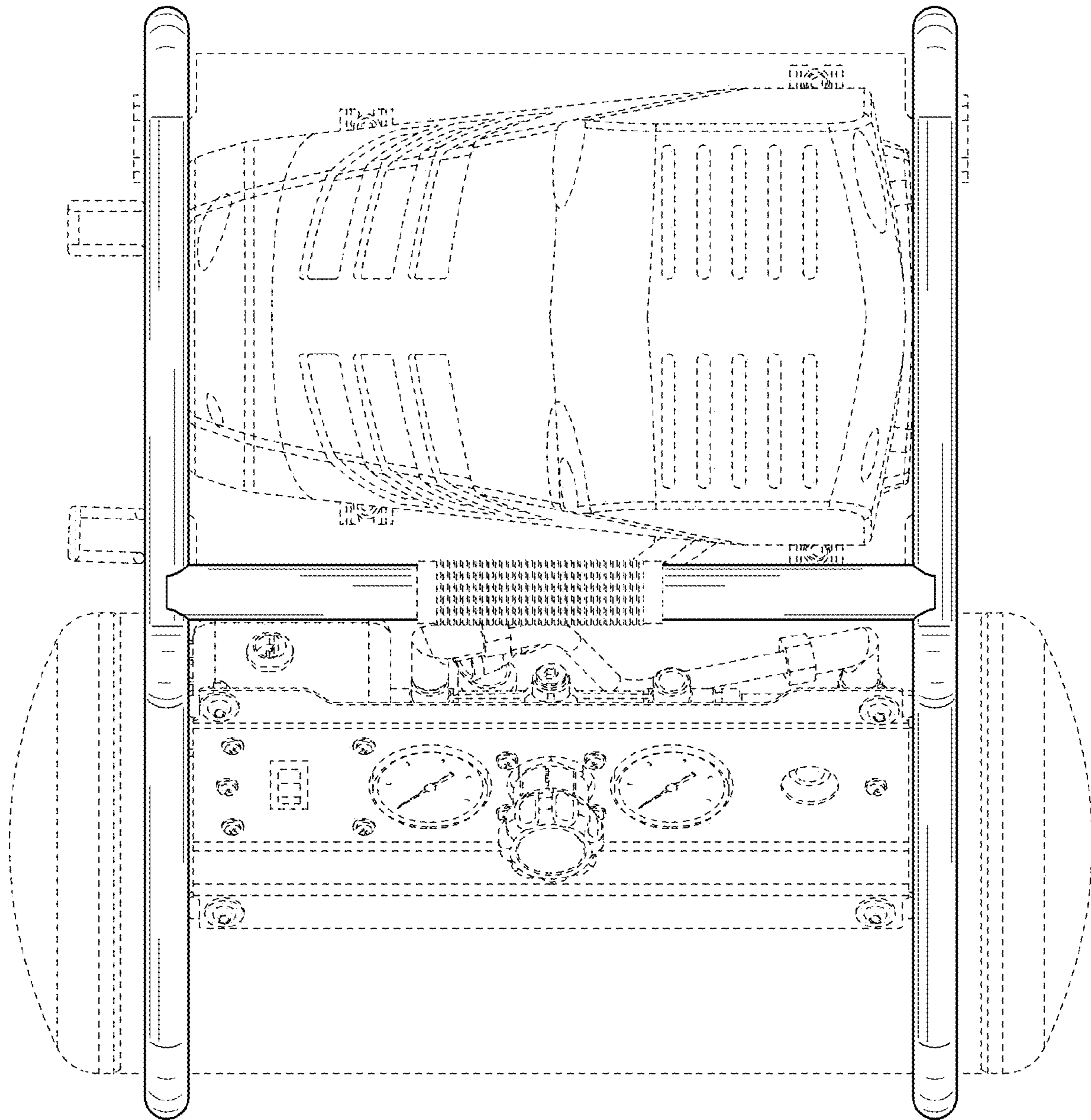


FIG. 6



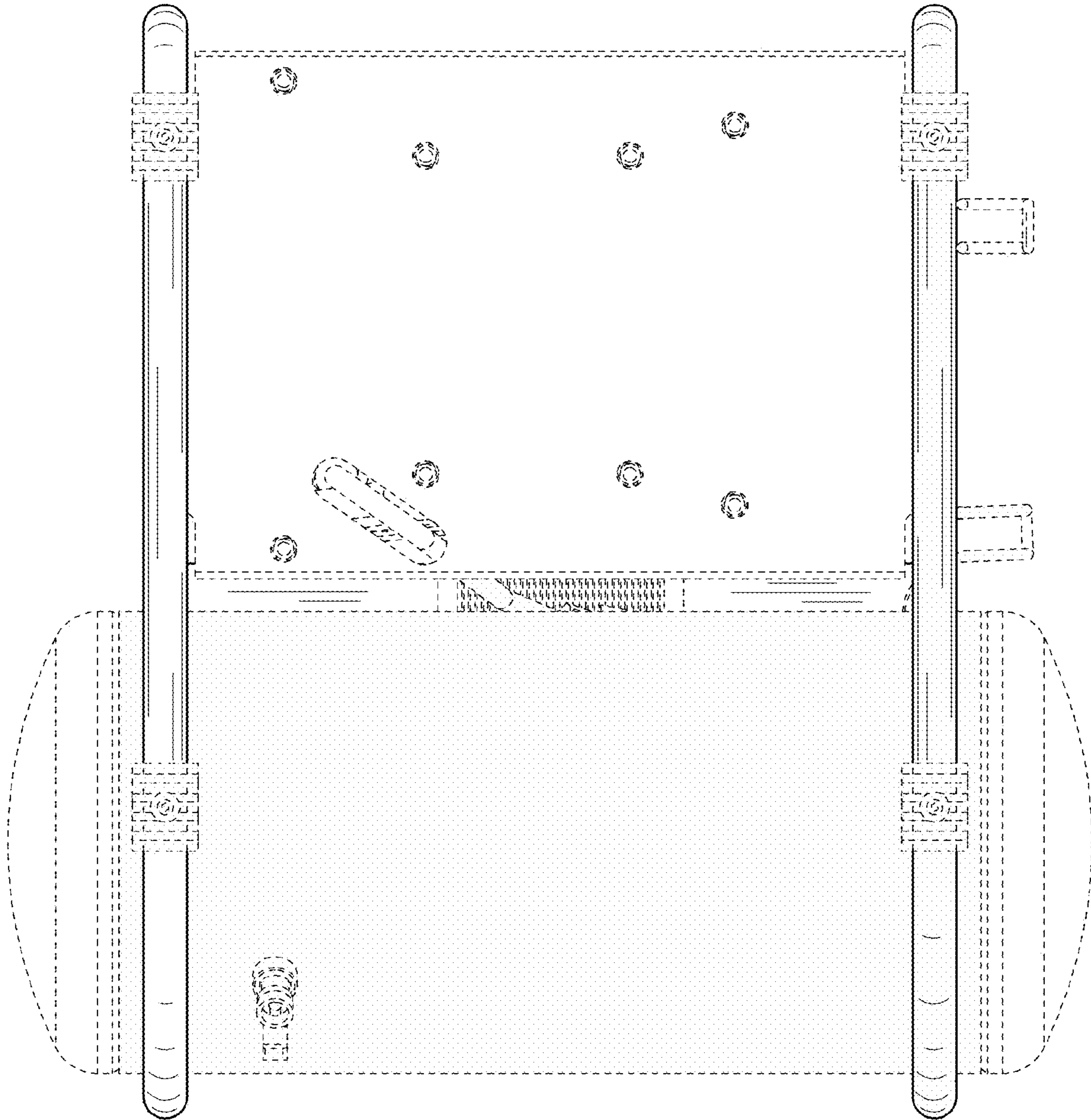


FIG. 7

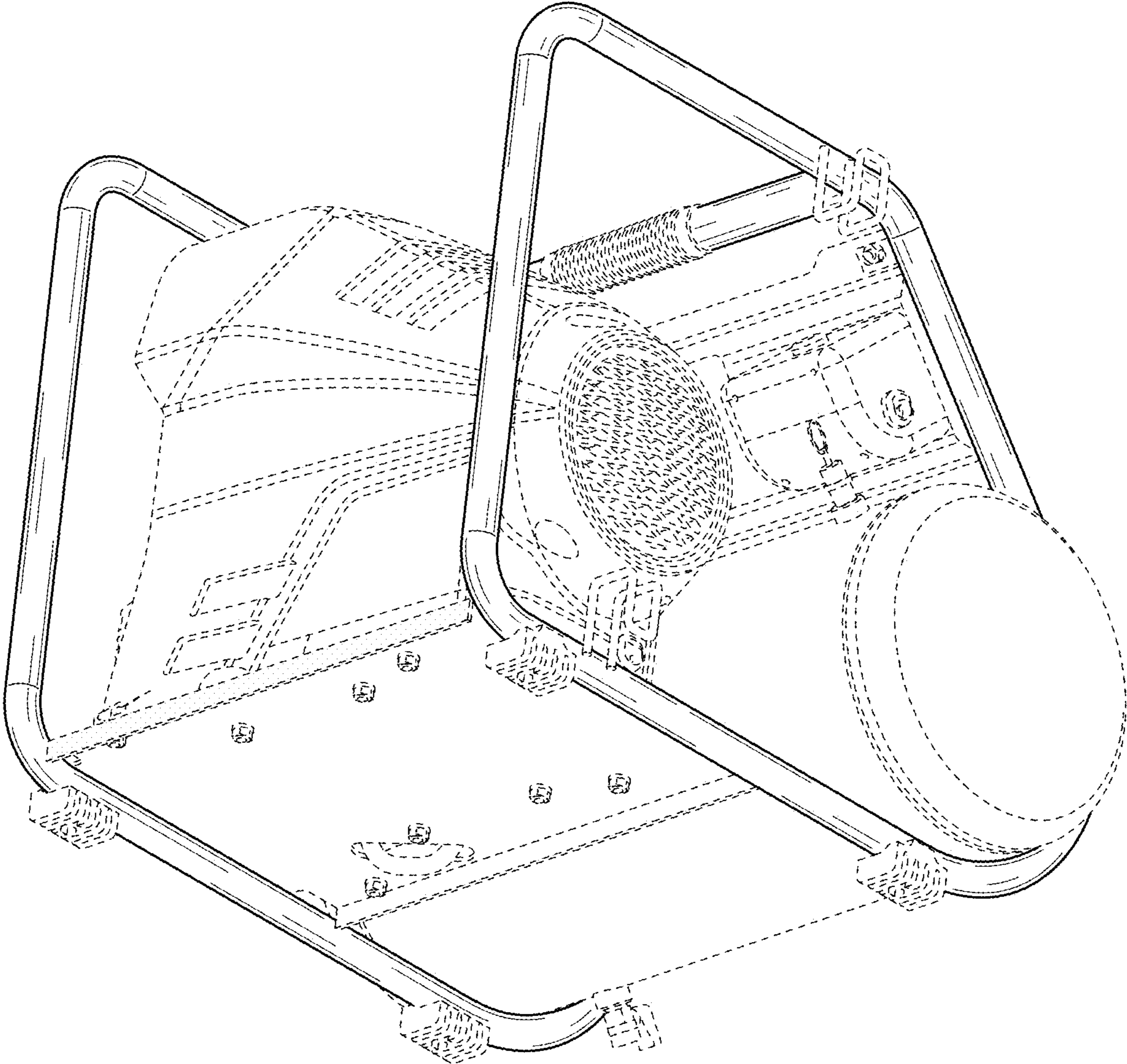


FIG. 8