



US00D892865S

(12) **United States Design Patent** (10) **Patent No.:** **US D892,865 S**
Palkic et al. (45) **Date of Patent:** **** Aug. 11, 2020**

(54) **PUMP ADAPTER**

OTHER PUBLICATIONS

(71) Applicant: **Holley Performance Products, Inc.**,
Bowling Green, KY (US)

(72) Inventors: **Darko Palkic**, Bowling Green, KY
(US); **Timothy A. Grillot**, Alvaton, KY
(US)

(73) Assignee: **Holley Performance Products, Inc.**,
Bowling Green, KY (US)

(**) Term: **15 Years**

Design U.S. Appl. No. 29/597,917 entitled "Adapter" filed Mar. 21, 2017.

(Continued)

Primary Examiner — Mitchell I. Siegel
 (74) *Attorney, Agent, or Firm* — Middleton Reutlinger

(21) Appl. No.: **29/662,532**

(22) Filed: **Sep. 6, 2018**

(51) **LOC (12) Cl.** **15-02**

(52) **U.S. Cl.**
USPC **D15/7**

(58) **Field of Classification Search**
USPC D15/7-9
CPC F02M 37/04; F02M 37/14
See application file for complete search history.

(57) **CLAIM**
 The ornamental design for the pump adapter, as shown and described.

DESCRIPTION

Cross-reference is made to U.S. Non-Provisional patent application Ser. No. 16/553,619, titled "Pump Adapter", filed on Aug. 28, 2019, all of which is expressly incorporated herein by reference.

FIG. 1 is a perspective view of a pump adapter shown with an unclaimed clamp;

FIG. 2 is a perspective view of the pump adapter shown without the unclaimed clamp;

FIG. 3 is a lower perspective view of the pump adapter of FIG. 1;

FIG. 4 is a side elevational view of the pump adapter of FIG. 2;

FIG. 5 is an opposite side elevational view of the pump adapter of FIG. 2;

FIG. 6 is a front elevational view of the pump adapter of FIG. 2;

FIG. 7 is a rear elevational view of the pump adapter of FIG. 2;

FIG. 8 is a top plan view of the pump adapter of FIG. 2; and, FIG. 9 is a bottom plan view of the pump adapter of FIG. 2. The broken lines shown on the drawings is included for the purpose of illustrating unclaimed subject matter and forms no part of the claimed design.

(56) **References Cited**

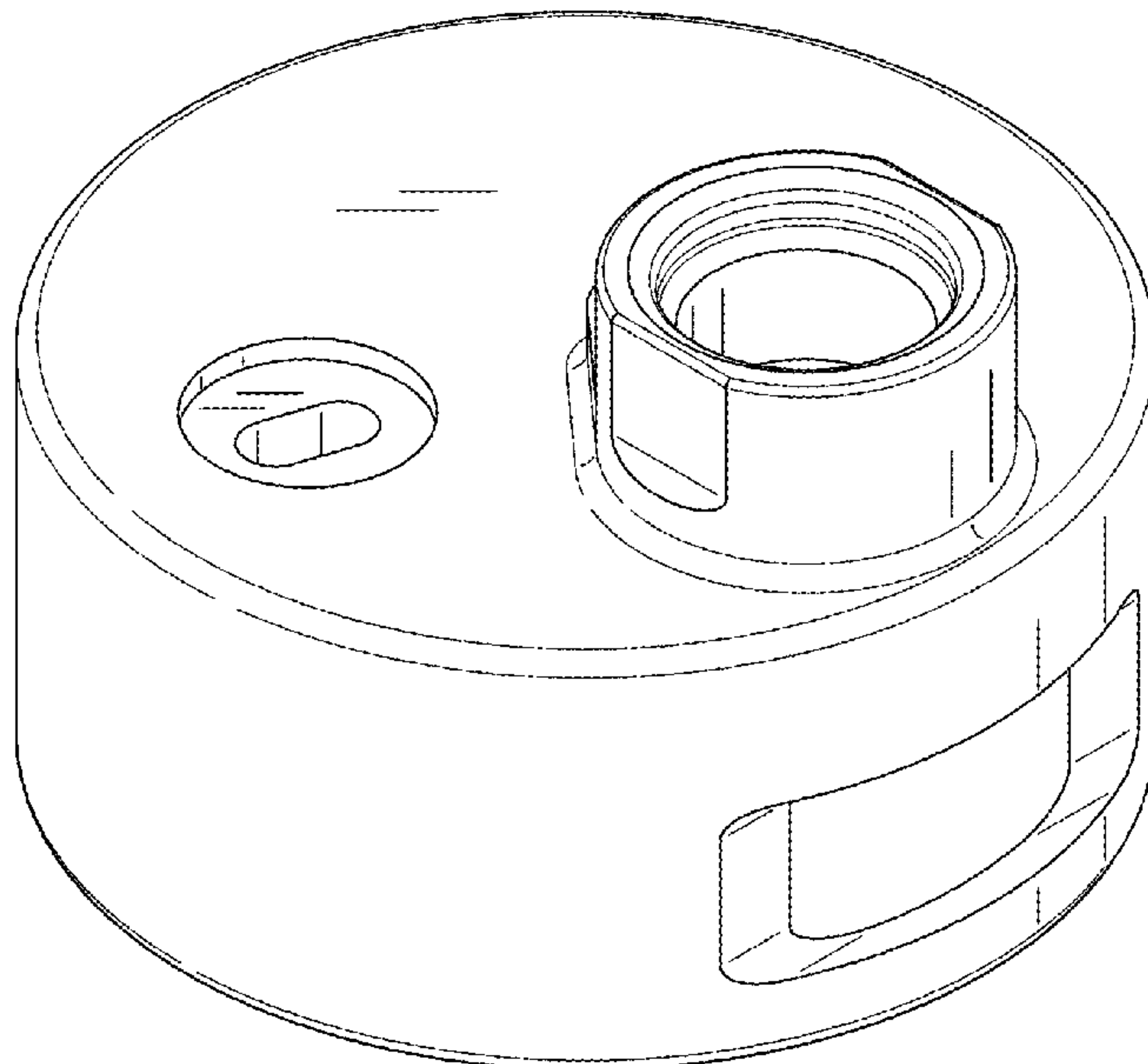
U.S. PATENT DOCUMENTS

D348,513 S *	7/1994	Bale	D24/109
D529,515 S *	10/2006	DeGroot	D15/7
7,533,661 B2	5/2009	Baasch et al.		
D716,674 S *	11/2014	Herzl	D10/53
D716,675 S *	11/2014	Herzl	D10/53
D717,182 S *	11/2014	Herzl	D10/53
D720,449 S *	12/2014	Galbraith	D24/111
D728,388 S *	5/2015	Robey	D10/53

FOREIGN PATENT DOCUMENTS

AU	201910220	3/2019
AU	201911579	4/2019
AU	201911581	4/2019

1 Claim, 9 Drawing Sheets



(56)

References Cited

OTHER PUBLICATIONS

U.S. Appl. No. 62/727,716 entitled "Pump Adapter" filed Sep. 6, 2018.

Design U.S. Appl. No. 29/658,294 entitled "Adapter" filed Jul. 30, 2018.

Utility U.S. Appl. No. 16/553,619 entitled "Pump Adapter" filed Aug. 28, 2019.

U.S. Appl. No. 62/872,520 entitled "Air Filter Adapter" filed Jul. 10, 2019.

Radium Engineering, 20-0145 Fuel Pump Inlet Adapter Installation Instructions, Sep. 21, 2018 [publication date retrieved from Internet Wayback Machine on Oct. 8, 2019].

www.efihardware.com, Walbro In Tank Fuel Pump Extension Kit, Mar. 31, 2015 [publication date retrieve from Internet Wayback Machine on Oct. 8, 2019].

Design U.S. Appl. No. 29/710,141 entitled Pump Adapter filed Oct. 21, 2019.

Design U.S. Appl. No. 29/710,142 entitled Pump Adapter filed Oct. 21, 2019.

* cited by examiner

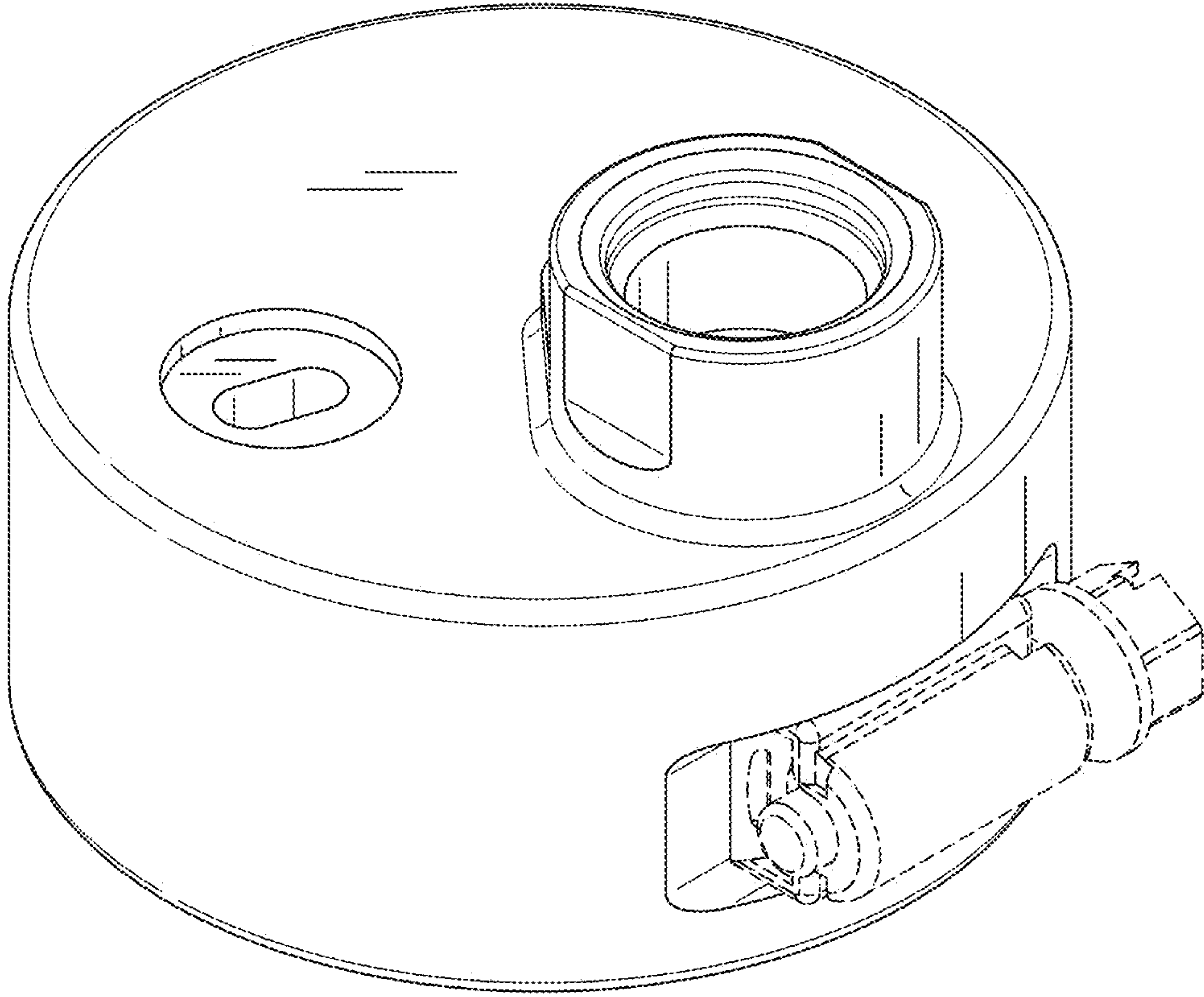


FIG. 1

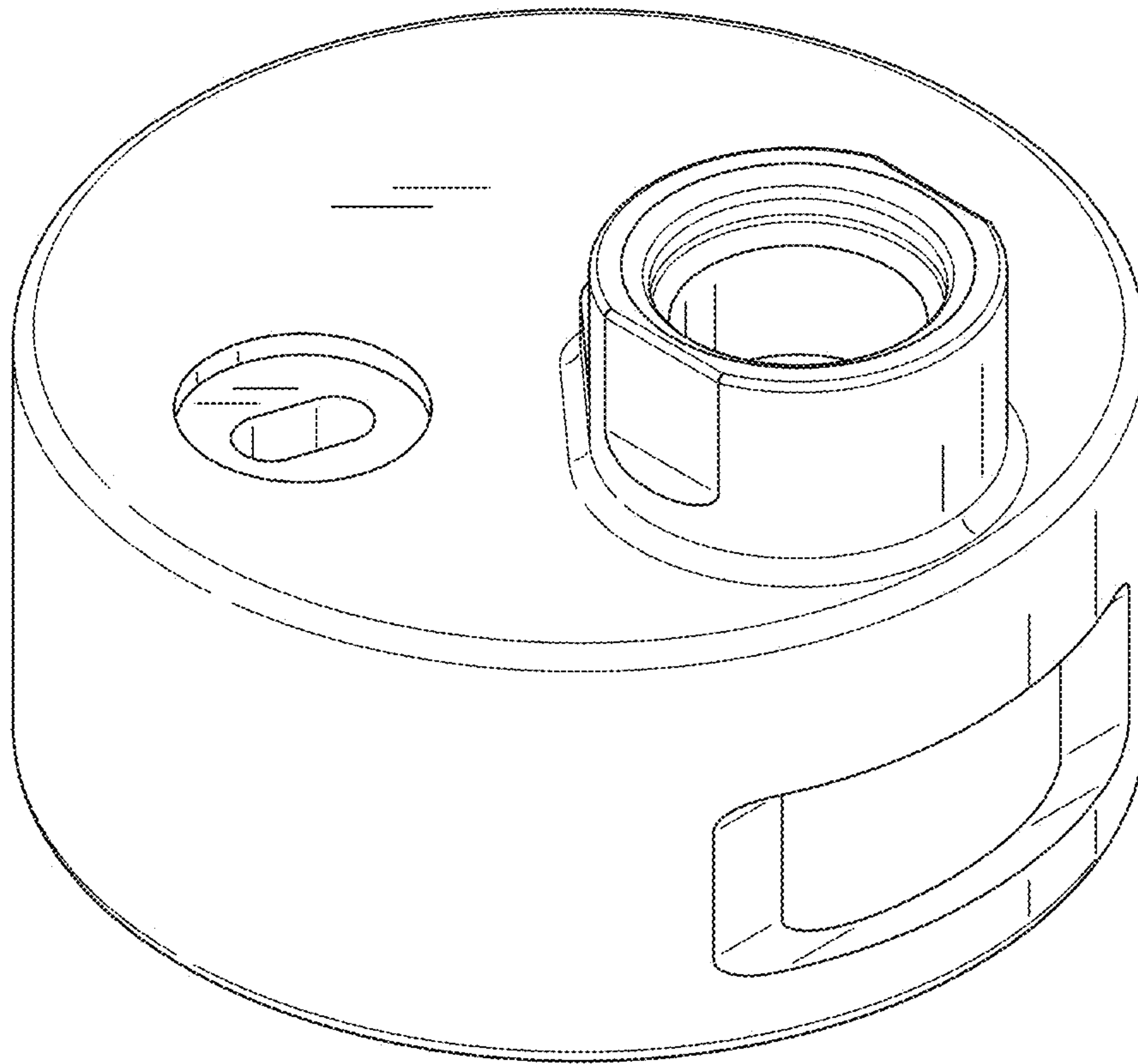


FIG. 2

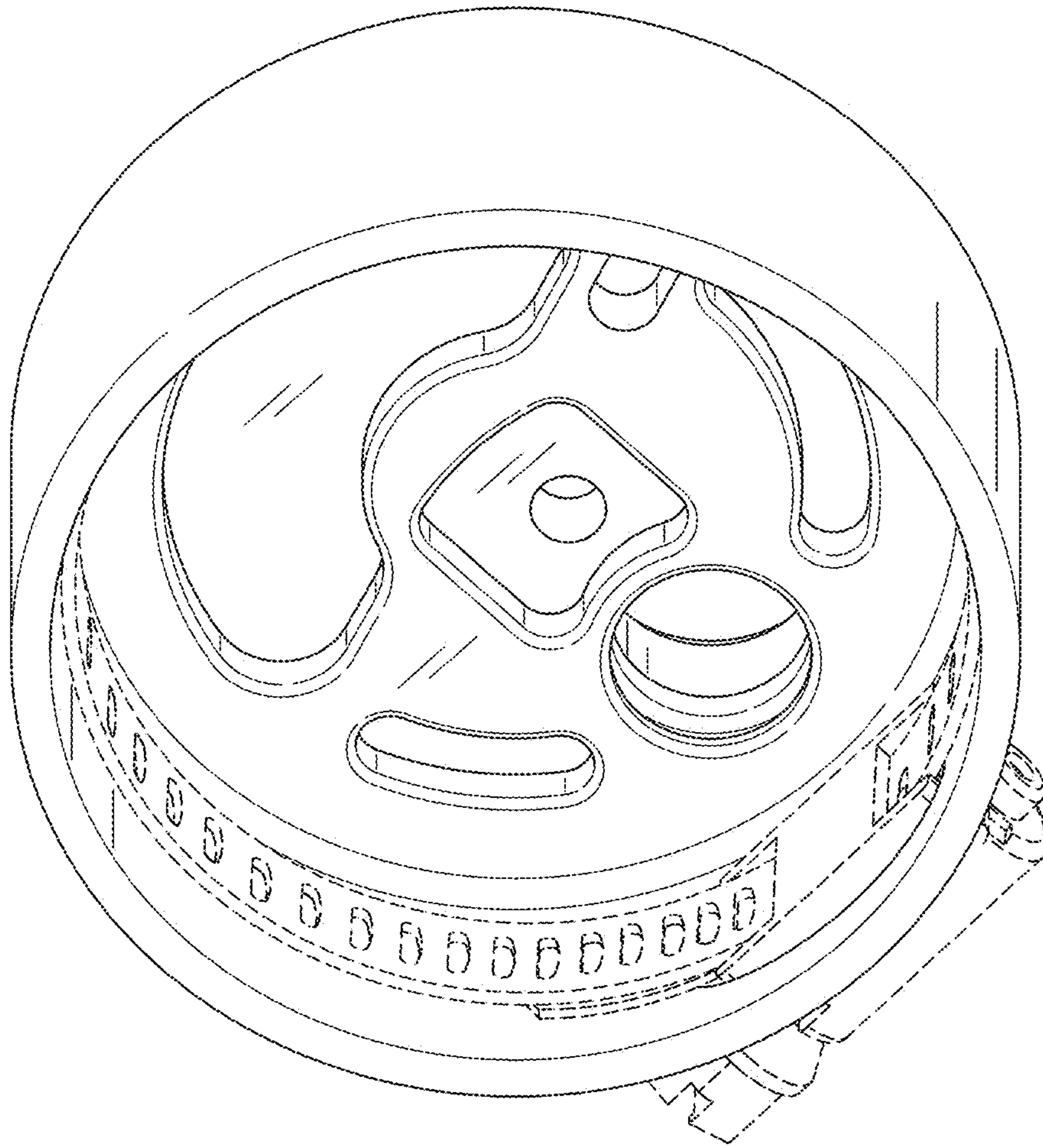


FIG. 3

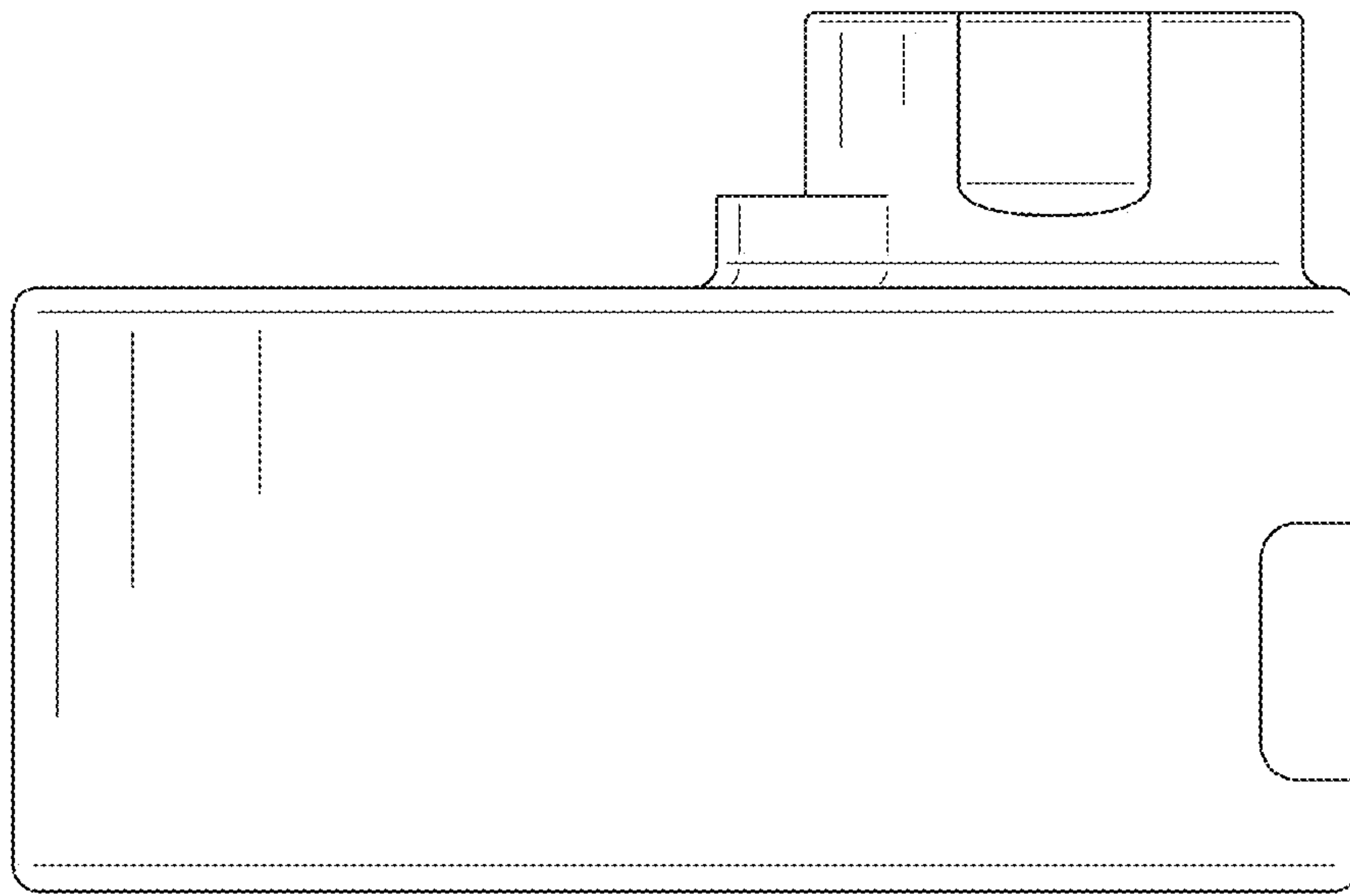


FIG. 4

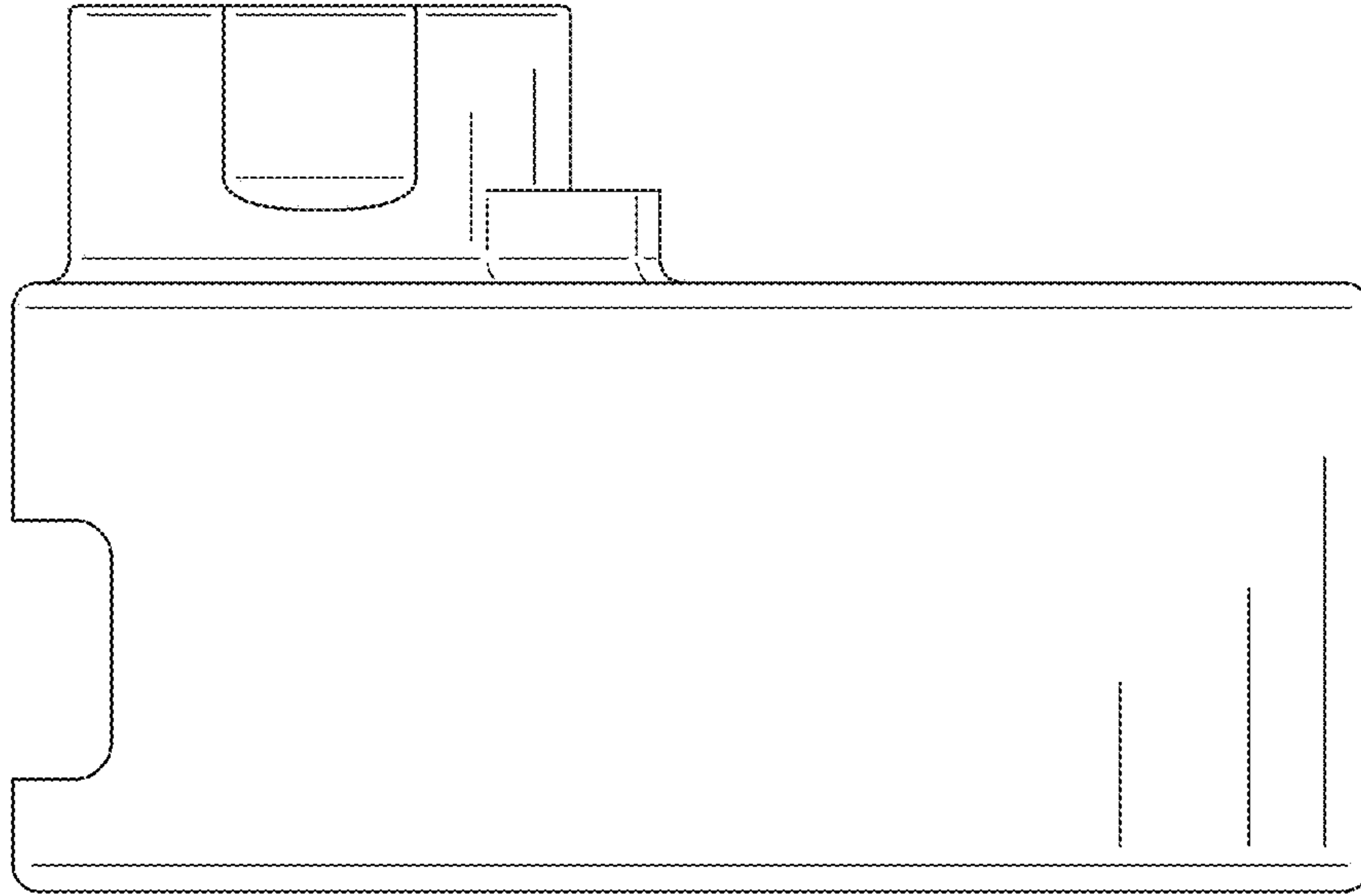


FIG. 5

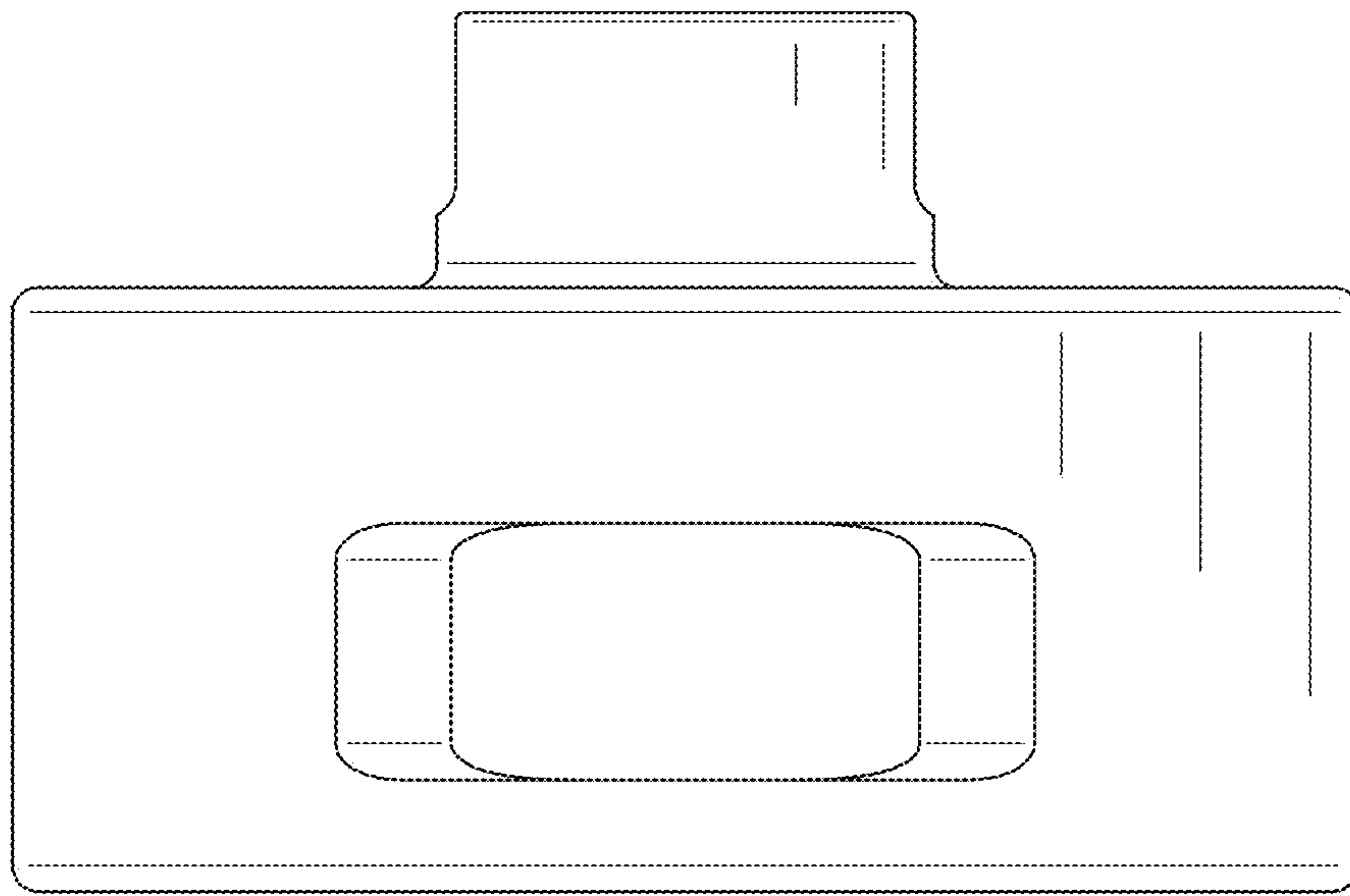


FIG. 6

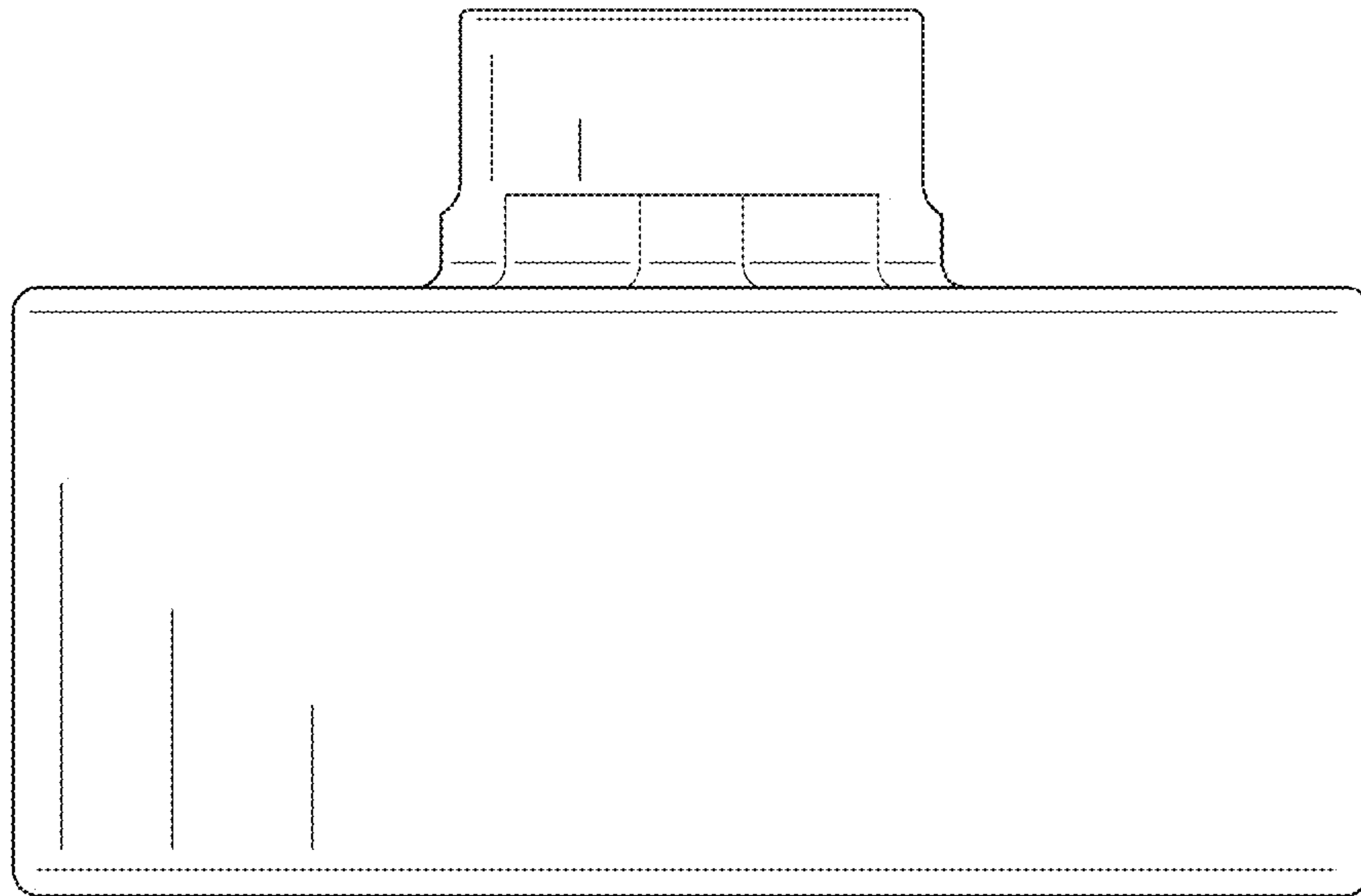


FIG. 7

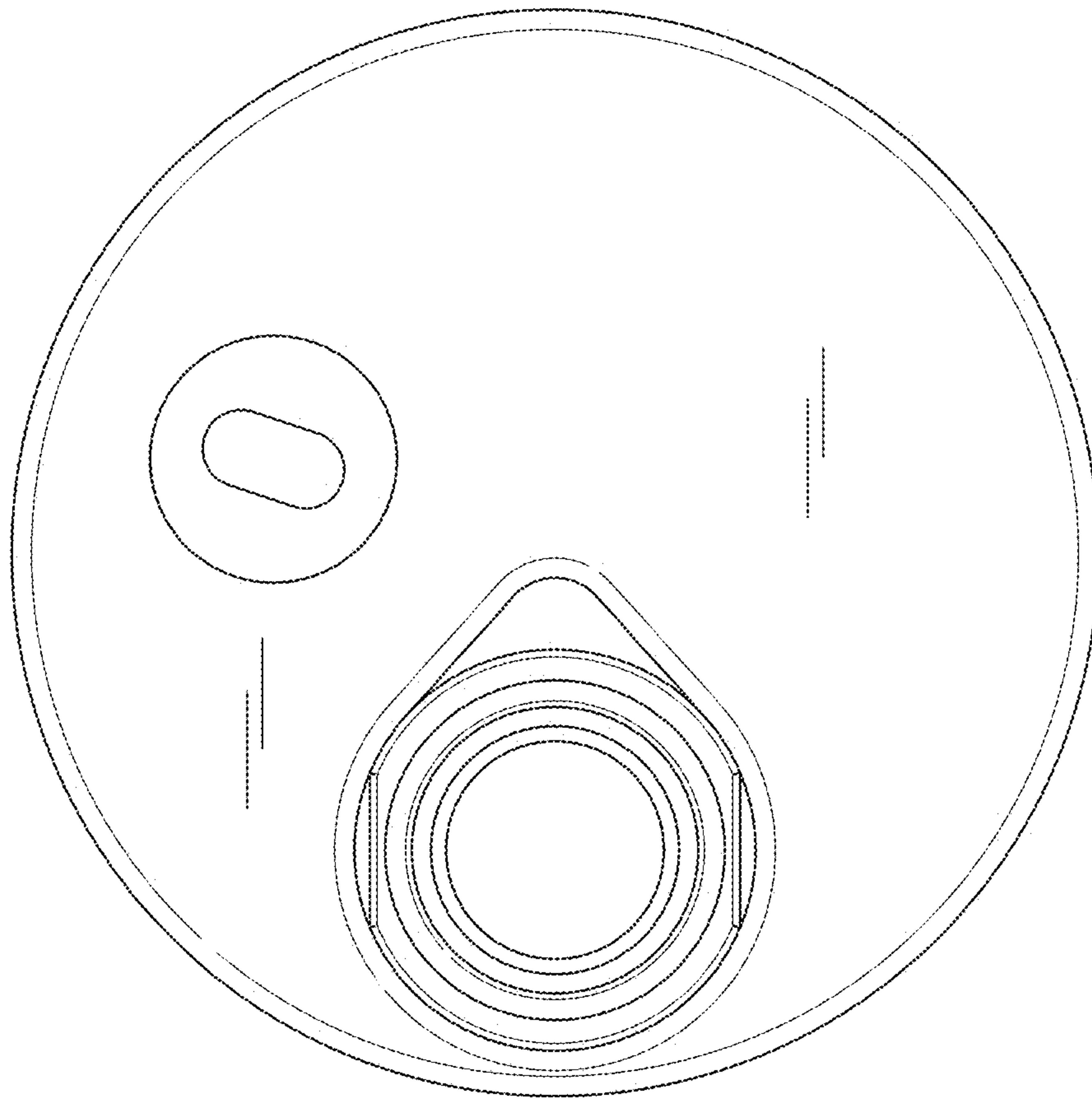


FIG. 8

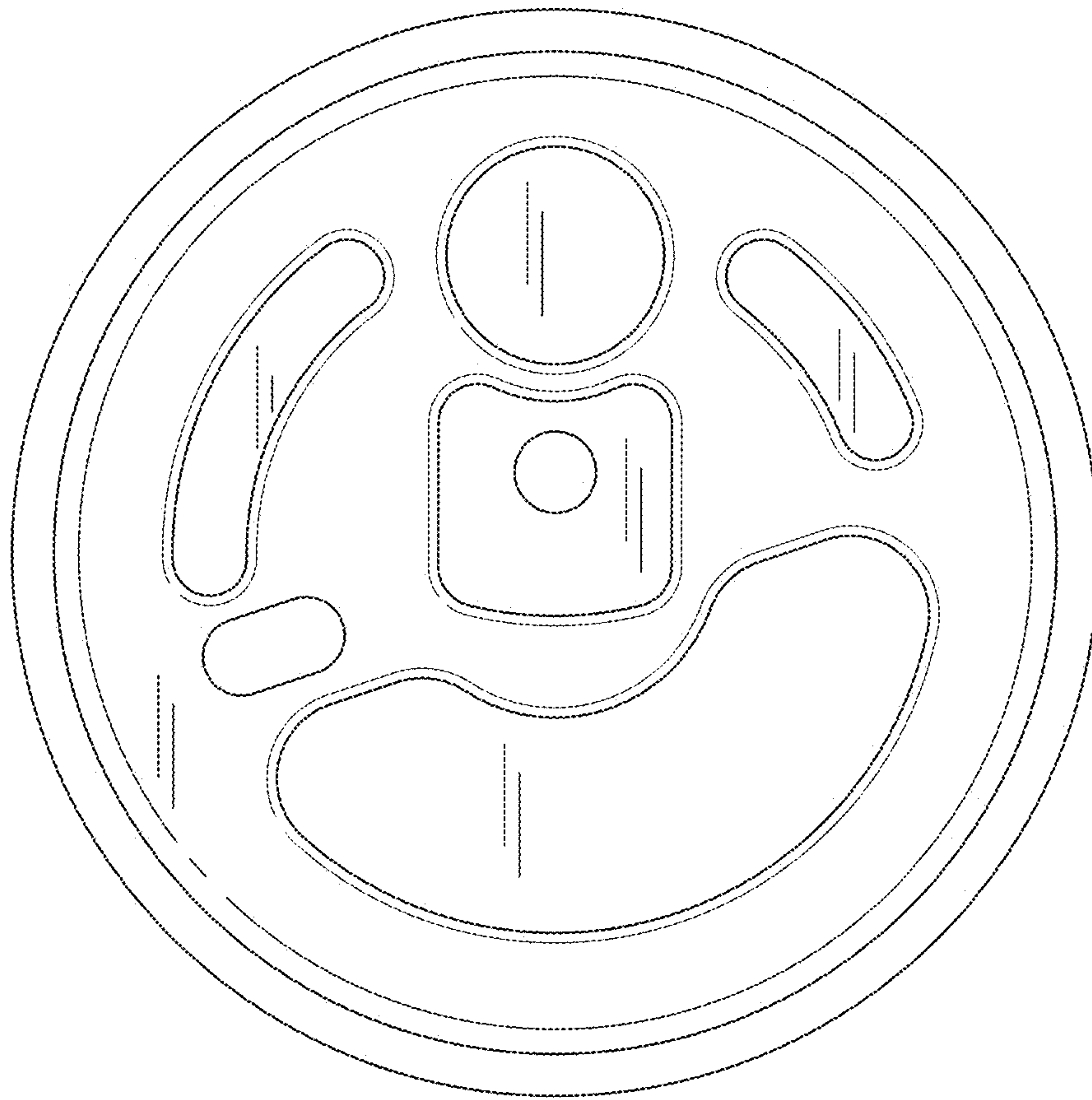


FIG. 9