

US00D892827S

(12) **United States Design Patent**
Cook et al.

(10) **Patent No.:** **US D892,827 S**

(45) **Date of Patent:** **** Aug. 11, 2020**

(54) **DISPLAY SCREEN OR PORTION THEREOF WITH GRAPHICAL USER INTERFACE OF A COMMUNICATIONS TERMINAL**

(71) Applicants: **Joseph R. Cook**, Parkland, FL (US);
Kristin E. Cook, Parkland, FL (US)

(72) Inventors: **Joseph R. Cook**, Parkland, FL (US);
Kristin E. Cook, Parkland, FL (US)

(73) Assignee: **Tile Redi, LLC**, Coral Springs, FL (US)

(**) Term: **15 Years**

(21) Appl. No.: **29/612,300**

(22) Filed: **Jul. 31, 2017**

(51) **LOC (12) Cl.** **14-04**

(52) **U.S. Cl.**
USPC **D14/486**

(58) **Field of Classification Search**
USPC D14/485-495

CPC G06F 3/048; G06F 3/0481; G06F 3/04812;
G06F 3/04815; G06F 3/04817; G06F 3/0482;
G06F 3/0483; G06F 3/0484;
G06F 3/04842; G06F 3/04845

See application file for complete search history.

(56) **References Cited**

U.S. PATENT DOCUMENTS

D784,368 S * 4/2017 Mitti D14/485
D788,148 S * 5/2017 Yao D14/486
D788,150 S * 5/2017 Yao D14/486

D788,789 S * 6/2017 Pickering D14/485
D789,945 S * 6/2017 Chang D14/485
D797,767 S * 9/2017 Esselstrom D14/485
D833,462 S * 11/2018 Dahlen D14/485
D835,631 S * 12/2018 Yepez D14/485
D835,636 S * 12/2018 Yao D14/485
D838,737 S * 1/2019 Martin D14/486
D841,686 S * 2/2019 Kim D14/488
D845,965 S * 4/2019 Kim D14/485
D847,158 S * 4/2019 Yao D14/485
D847,824 S * 5/2019 Toth D14/485
D849,016 S * 5/2019 Pickering D14/485
D853,436 S * 7/2019 Lassner D14/488

* cited by examiner

Primary Examiner — Melanie H Tung

Assistant Examiner — Bao-Yen T Nguyen

(74) *Attorney, Agent, or Firm* — Kevin P. Crosby, Esq.;
Rubin & Rubin

(57) **CLAIM**

The ornamental design for a display screen or portion thereof with graphical user interface of a communications terminal, as shown and described.

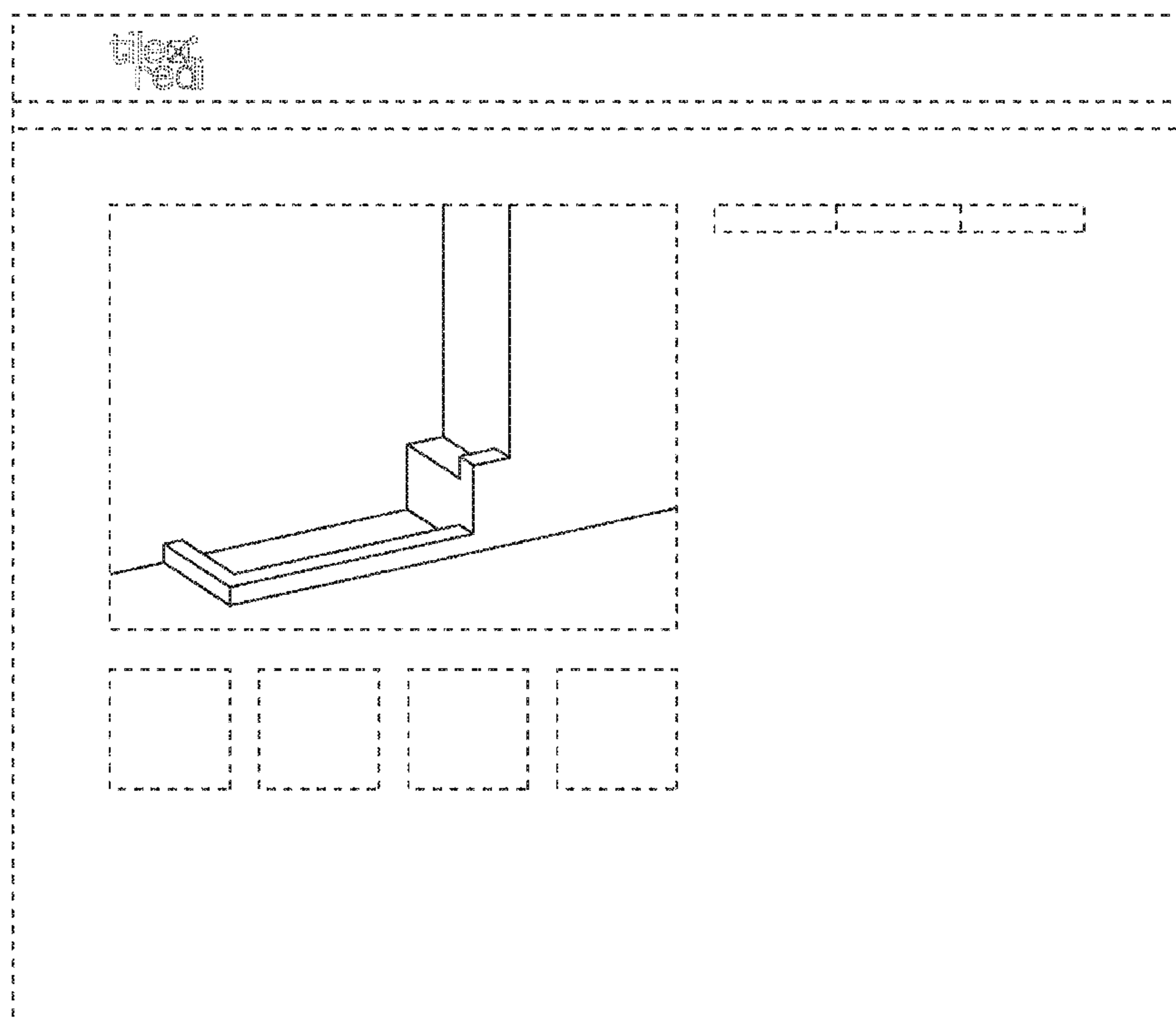
DESCRIPTION

FIG. 1 is a front view of a display screen or portion thereof with graphical user interface of a communications terminal; and,

FIG. 2 is a front view of a second embodiment thereof.

The broken lines showing the display screen or portion thereof form no part of the claimed design. The broken lines showing portions of the graphical user interface form no part of the claimed design.

1 Claim, 2 Drawing Sheets



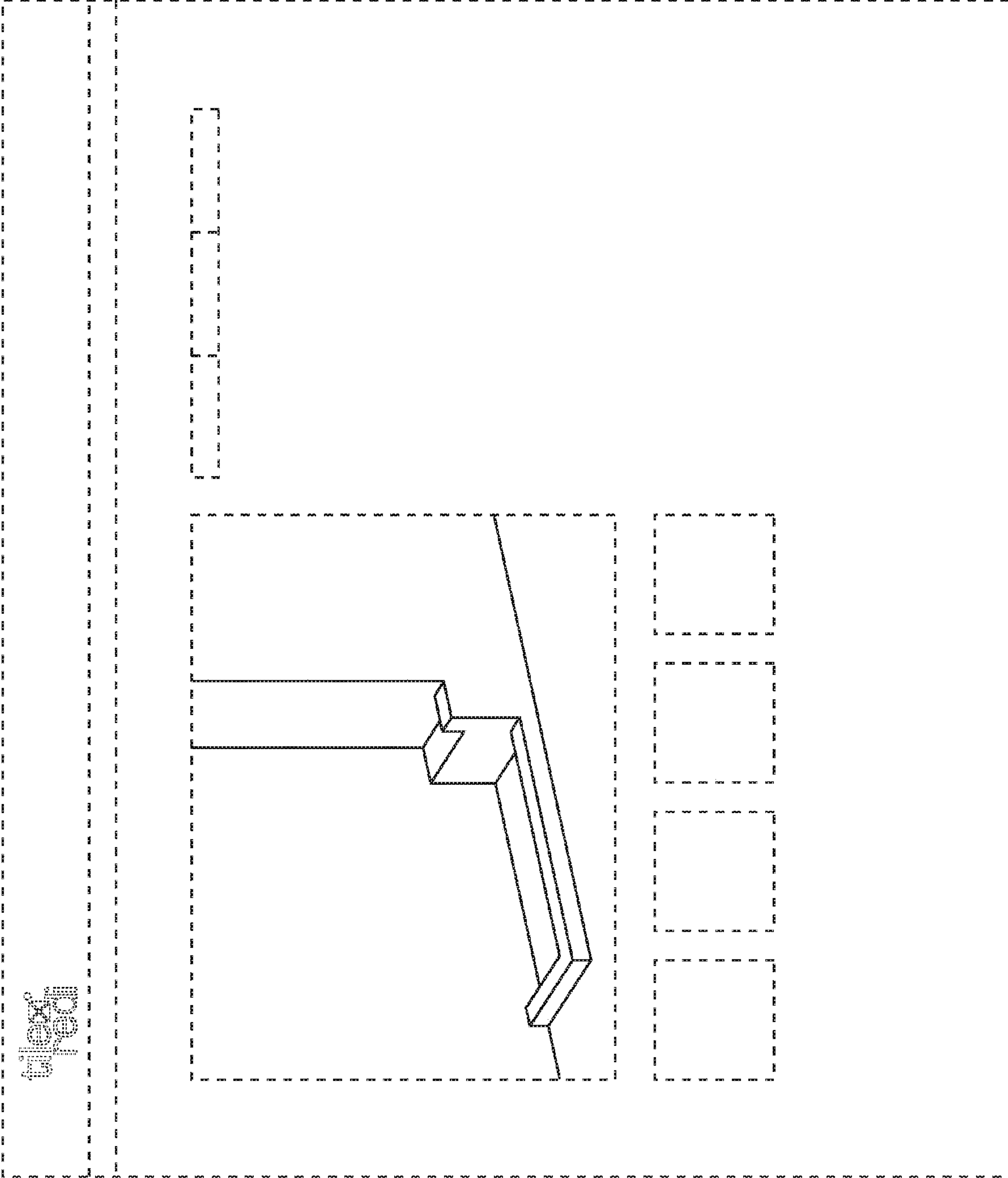


FIG. 1

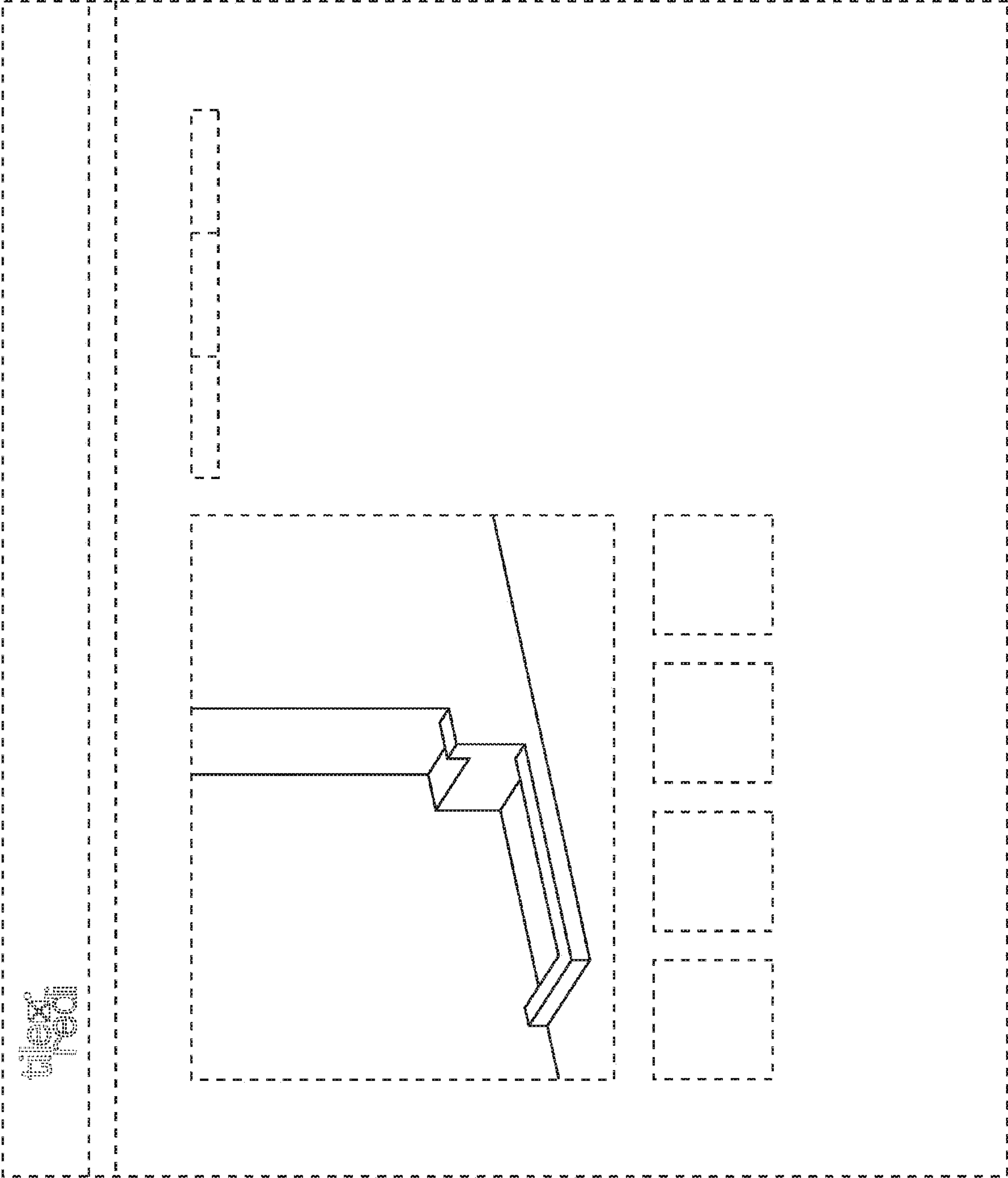


FIG. 2