



US00D892812S

(12) **United States Design Patent**
Cran

(10) **Patent No.:** **US D892,812 S**

(45) **Date of Patent:** **** Aug. 11, 2020**

(54) **MEMORY STICK**

(71) Applicant: **Make Great Sales Limited**, Wanchai (HK)

(72) Inventor: **Bruce Cran**, Richmond (CA)

(73) Assignee: **Make Great Sales Limited**, Hong Kong (HK)

(**) Term: **15 Years**

(21) Appl. No.: **29/687,738**

(22) Filed: **Apr. 15, 2019**

(51) **LOC (12) Cl.** **14-03**

(52) **U.S. Cl.**
USPC **D14/480.7**

(58) **Field of Classification Search**
USPC D14/480.1–480.7, 435.1, 411, 433, 436,
D14/484.1, 137, 155, 203.1–203.8, 240,
D14/242; D13/133, 154
CPC H05K 5/0278; G06K 19/07732
See application file for complete search history.

(56) **References Cited**

U.S. PATENT DOCUMENTS

D602,941 S * 10/2009 Lo D14/480.7
D610,588 S * 2/2010 Chen D14/480.7
D616,449 S * 5/2010 Lo D14/480.7
D624,012 S * 9/2010 de Medeiros D13/103
D624,551 S * 9/2010 Cohen D14/480.5

D624,925 S * 10/2010 Lu D14/480.7
D639,303 S * 6/2011 Ni D14/480.7
D685,809 S * 7/2013 Billington D14/480.7
D707,690 S * 6/2014 Billington D14/480.7
D711,391 S * 8/2014 Lee D14/480.7
D724,602 S * 3/2015 Lin D14/480.5
D725,123 S * 3/2015 Lin D14/480.5
D771,057 S * 11/2016 Wurts D14/480.1

* cited by examiner

Primary Examiner — Angela J Lee

(74) *Attorney, Agent, or Firm* — Amy Fong; McCarthy Tetrault

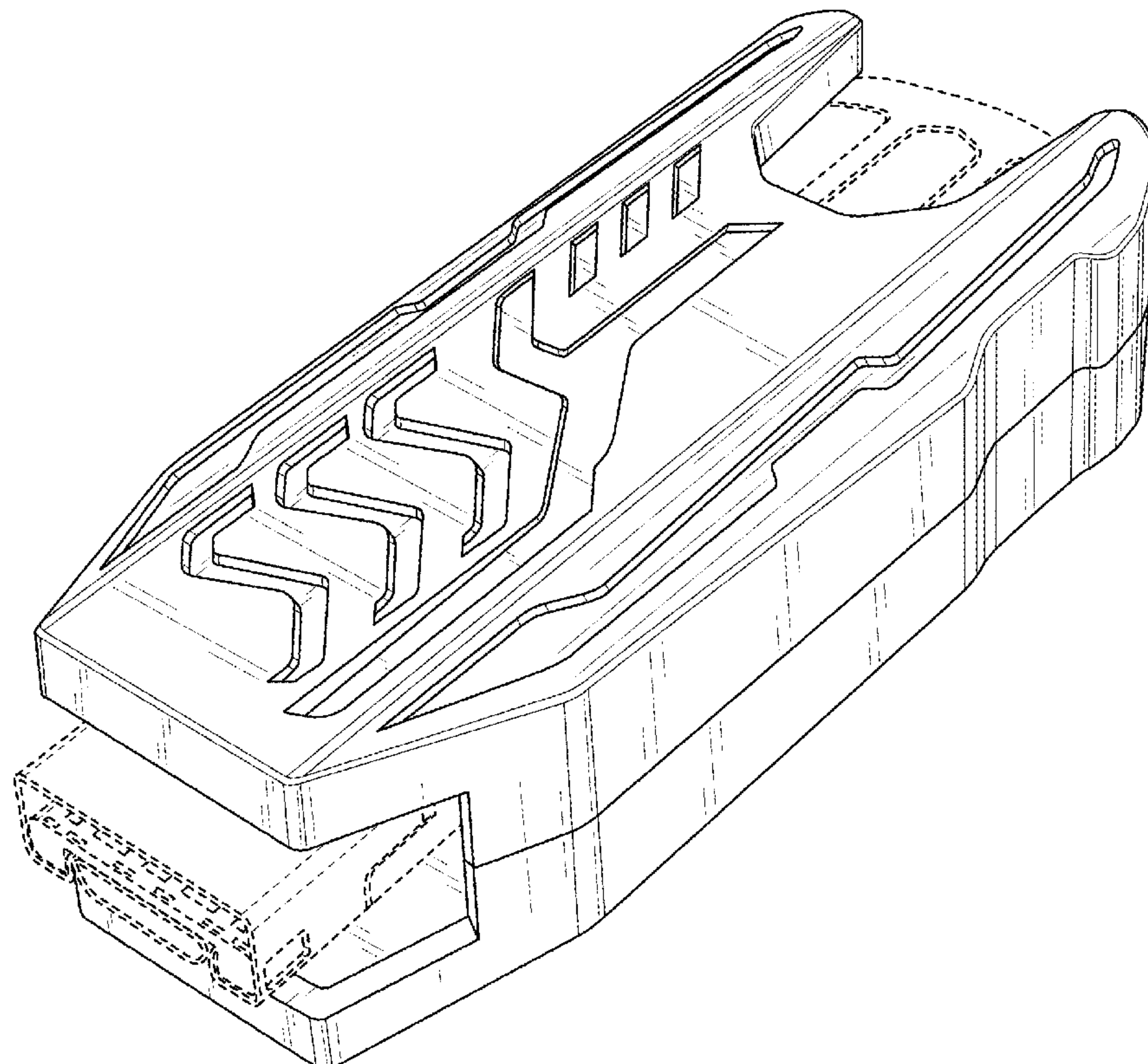
(57) **CLAIM**

The ornamental design for a memory stick, as shown and described.

DESCRIPTION

FIG. 1 is a top front perspective view of the memory stick in accordance with the design;
FIG. 2 is a front elevation view thereof;
FIG. 3 is a rear elevation view thereof;
FIG. 4 is a left side elevation view thereof;
FIG. 5 is a right side elevation view thereof;
FIG. 6 is a top plan view thereof;
FIG. 7 is a bottom plan view thereof; and,
FIG. 8 is a bottom rear perspective view thereof.
The broken lines of FIGS. 1-8 illustrate unclaimed portions of the article that form no part of the claimed design.

1 Claim, 8 Drawing Sheets



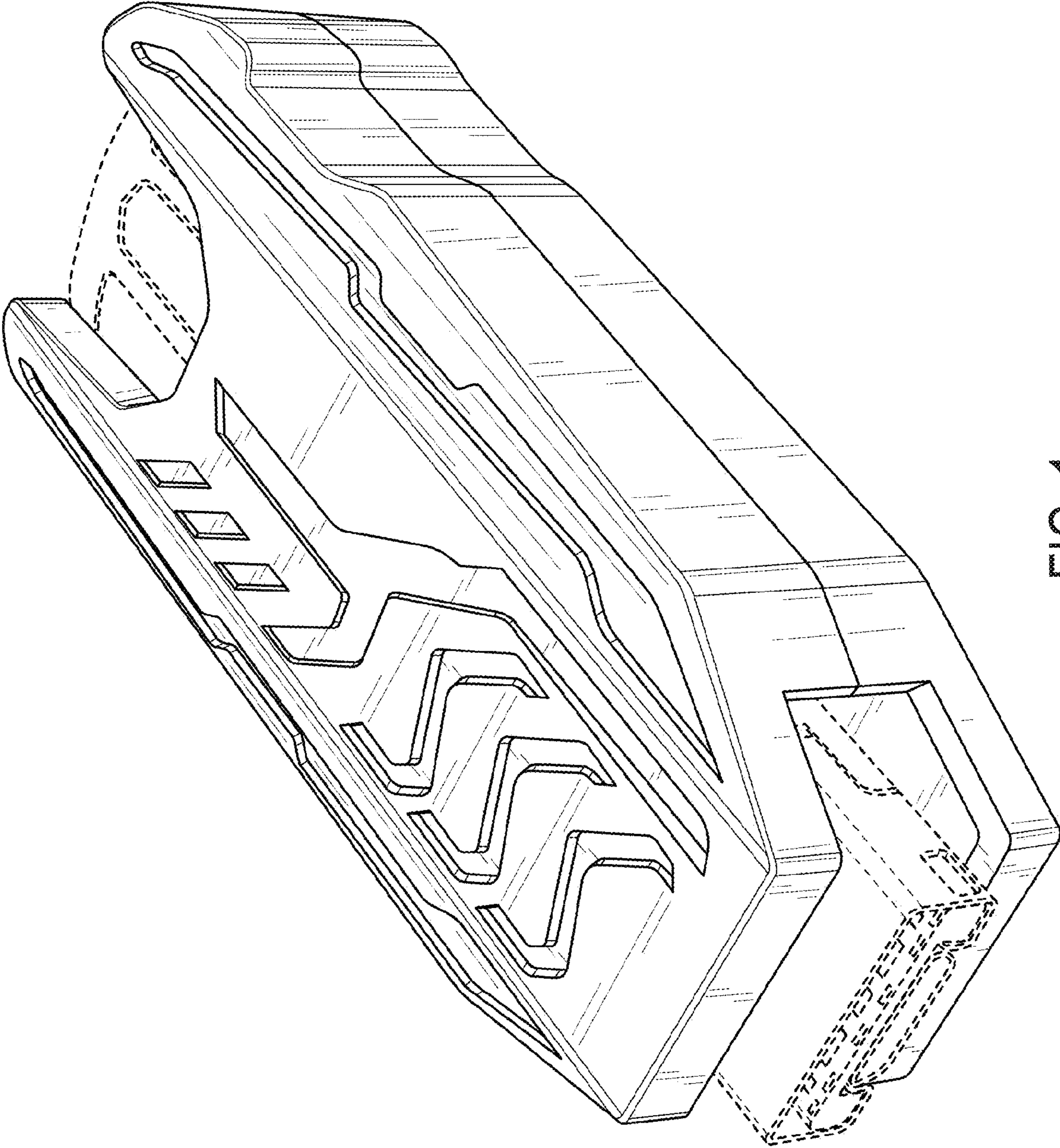


FIG. 1

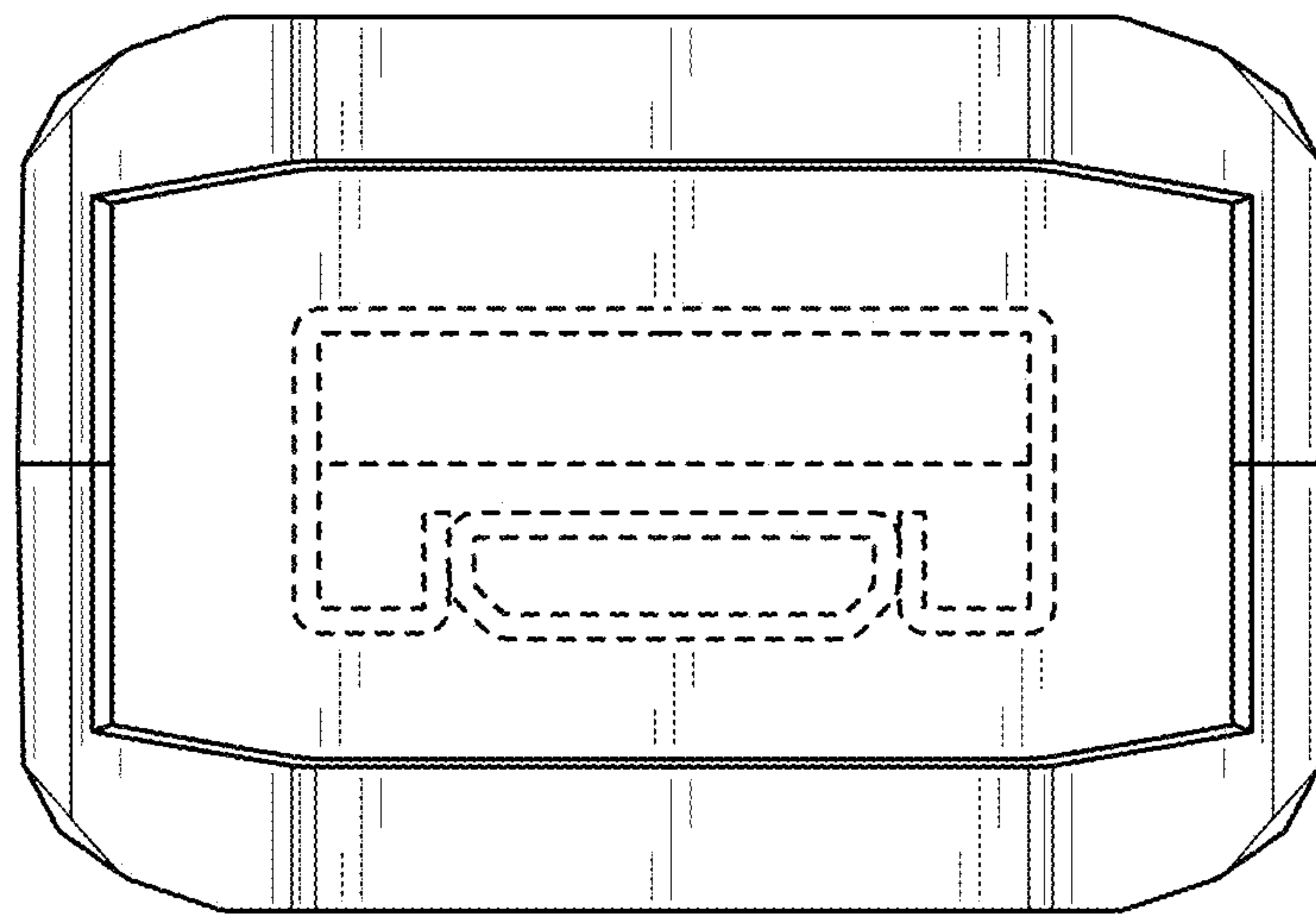


FIG. 2

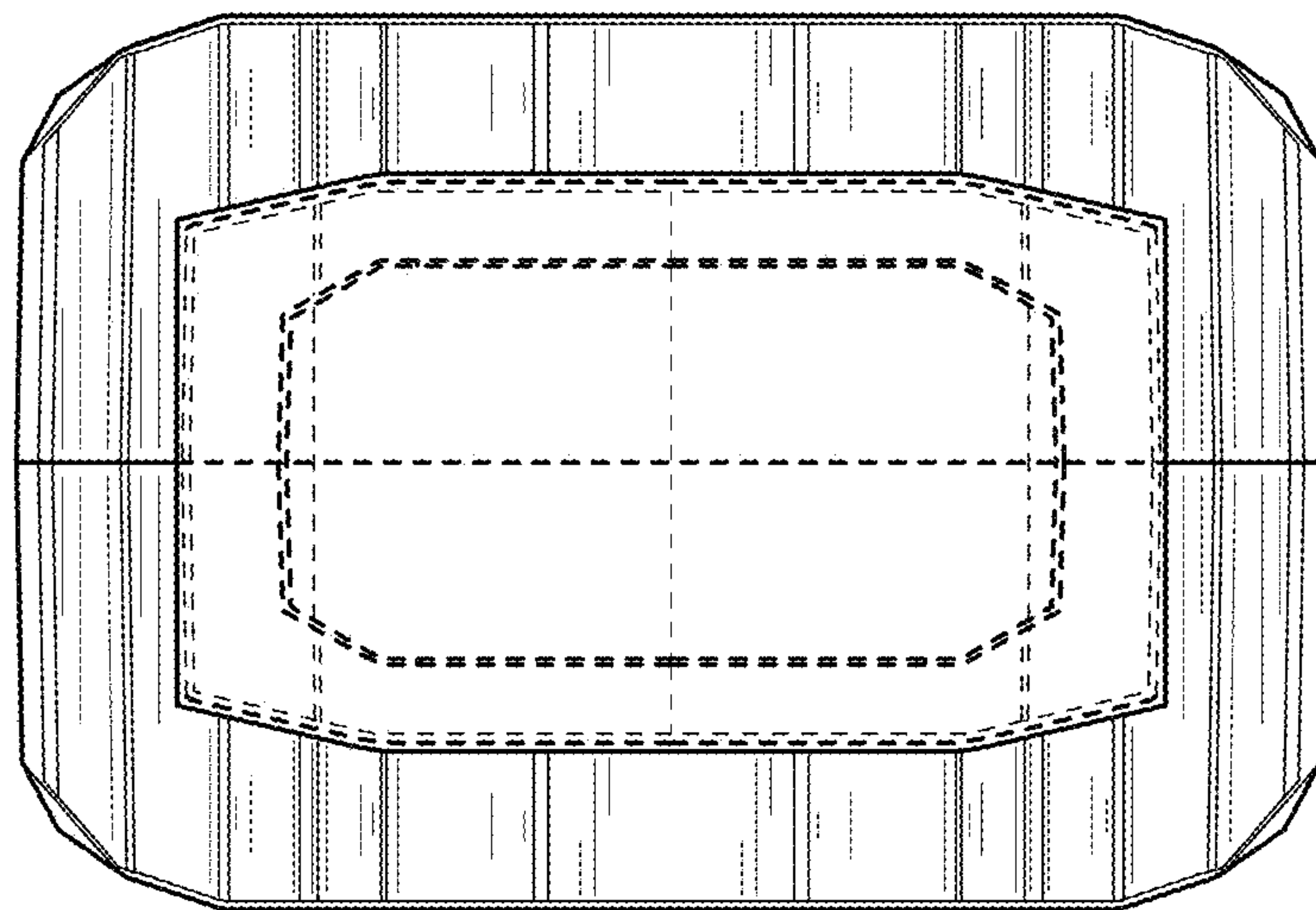


FIG. 3

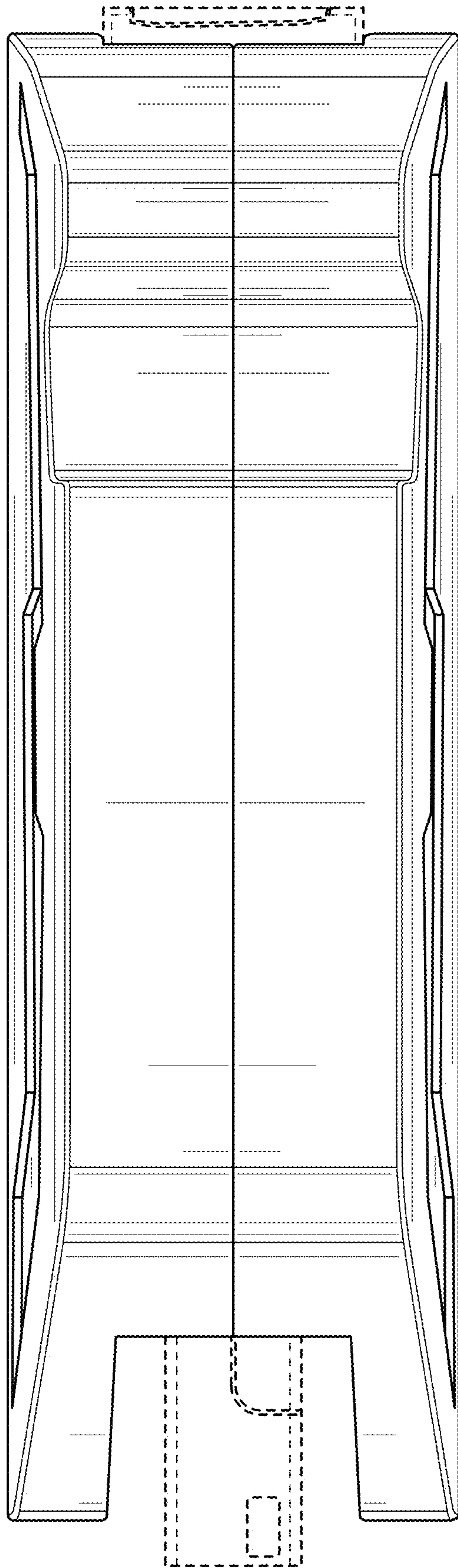


FIG. 4

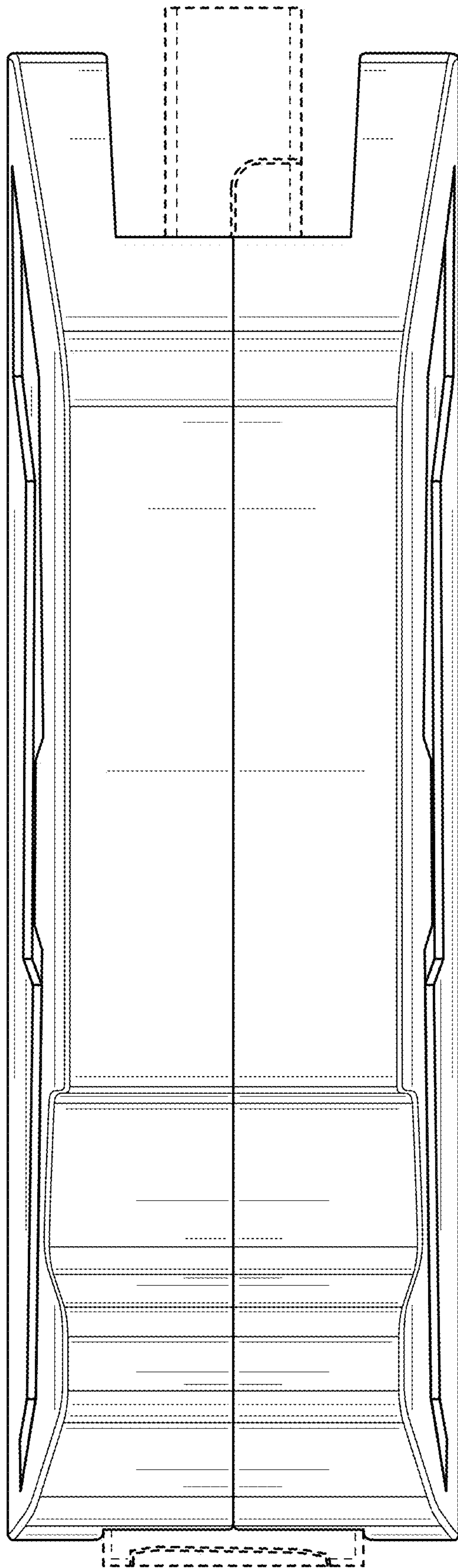


FIG. 5

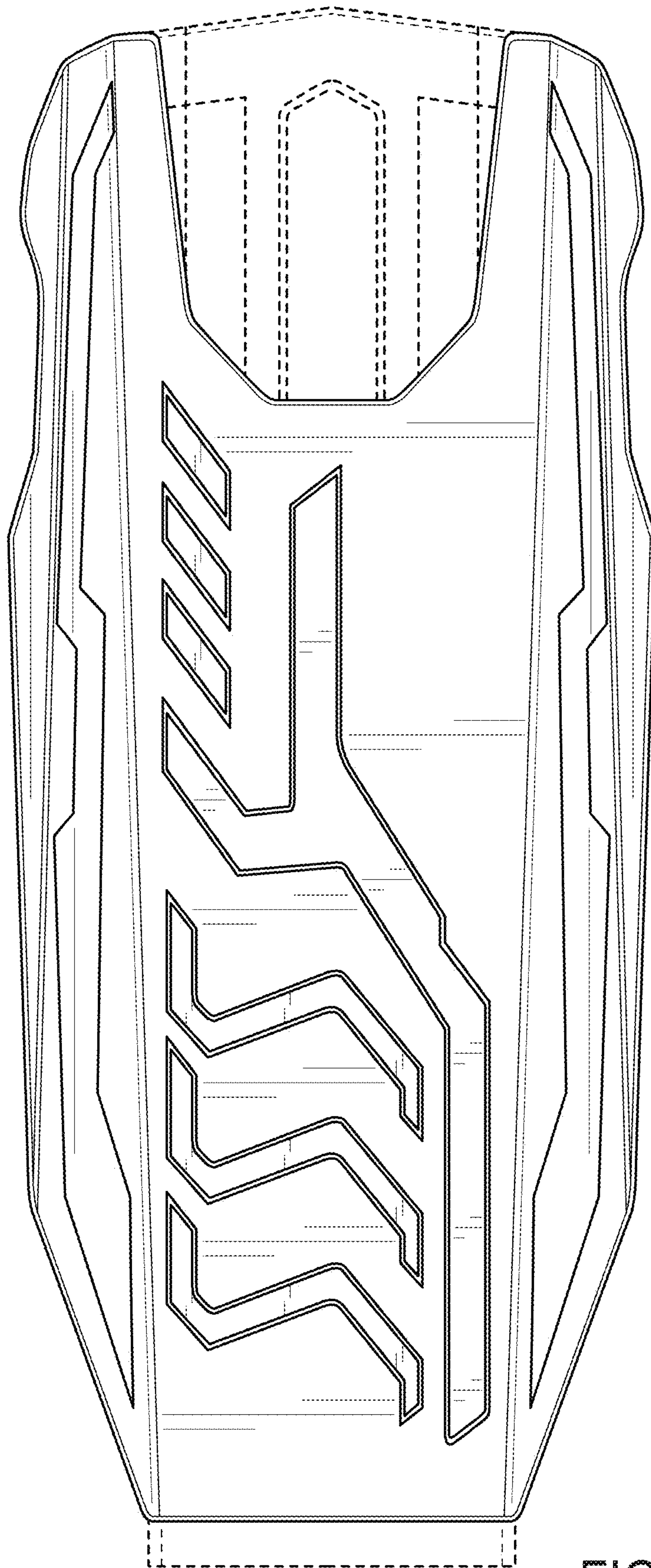


FIG. 6

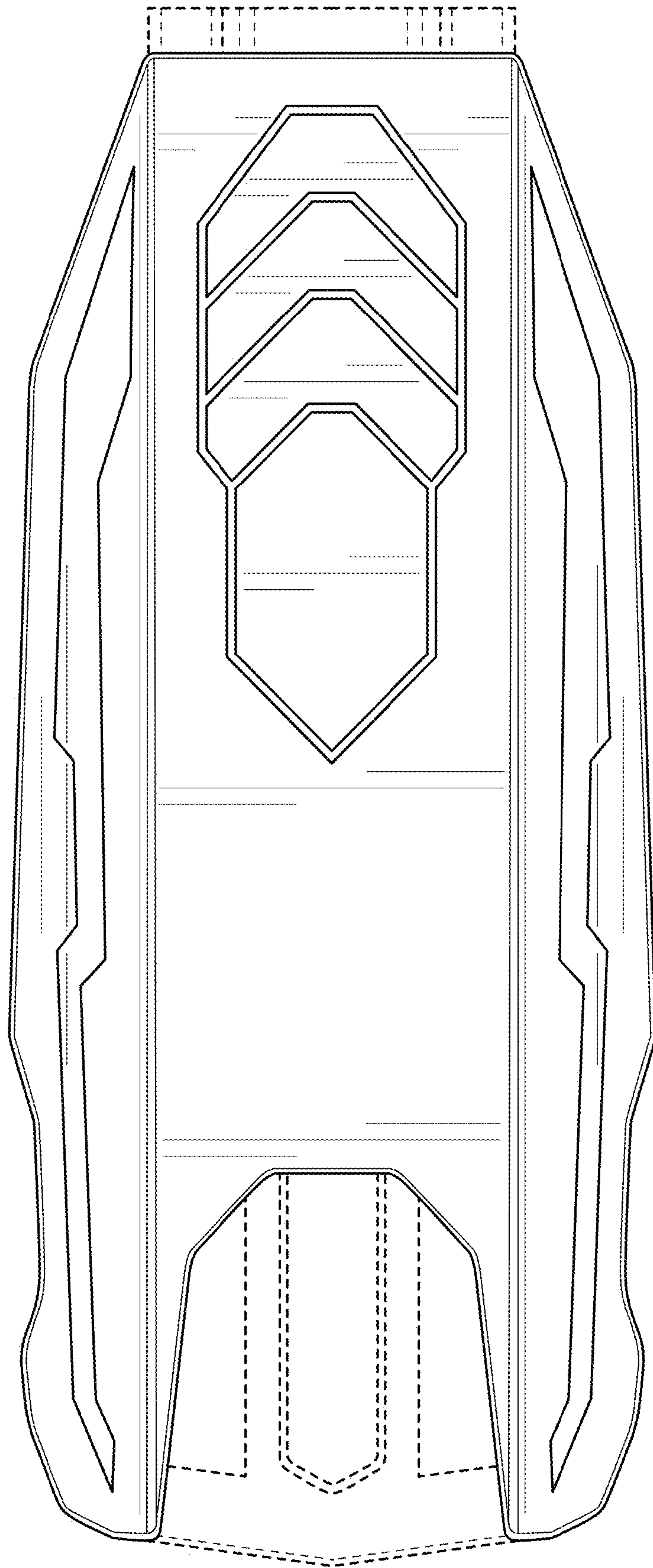


FIG. 7

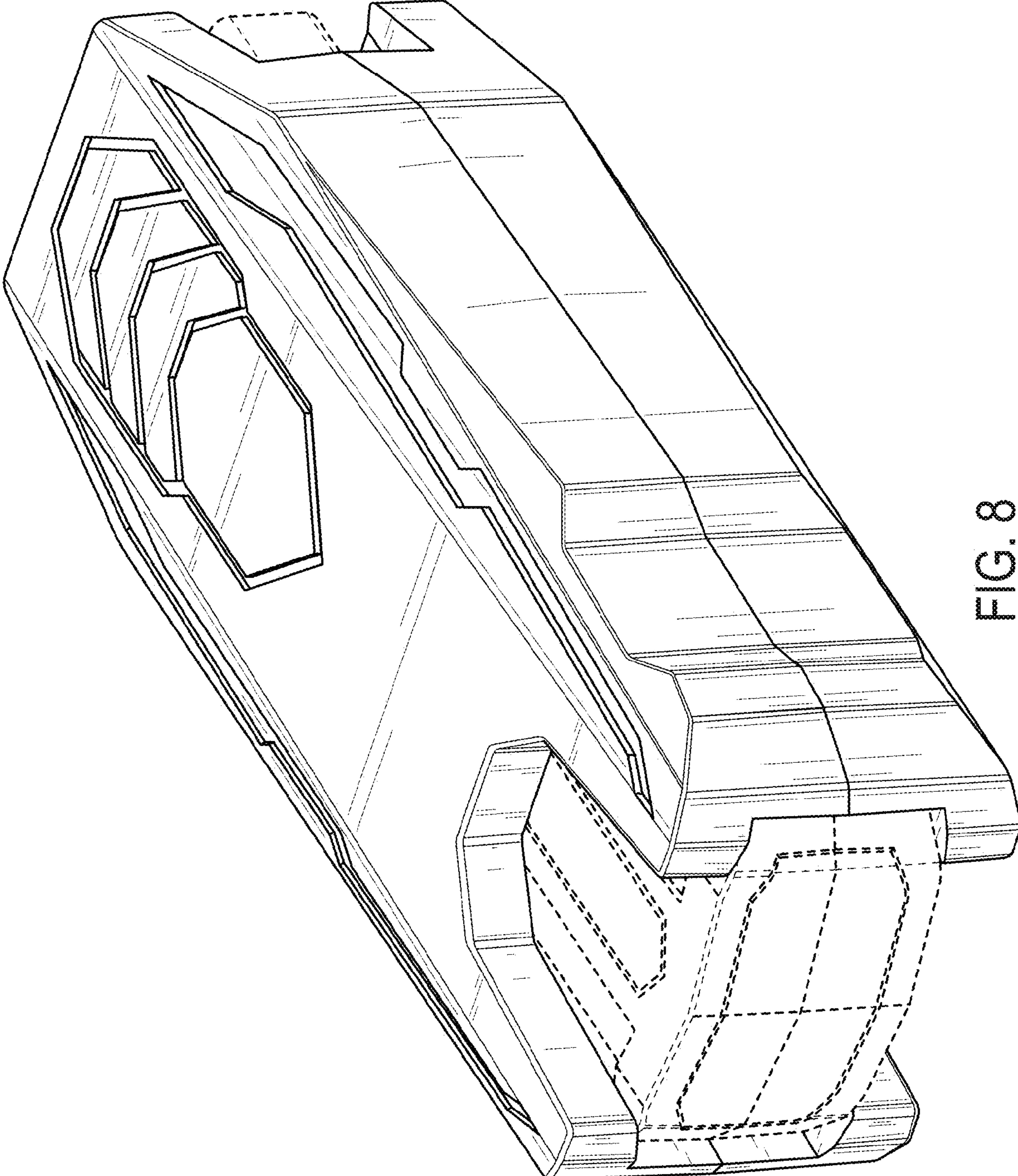


FIG. 8