



US00D892810S

(12) **United States Design Patent** (10) **Patent No.:** **US D892,810 S**  
**Siminoff et al.** (45) **Date of Patent:** **\*\* Aug. 11, 2020**

(54) **DEVICE MOUNT**

(71) Applicant: **AMAZON TECHNOLOGIES, INC.**,  
Seattle, WA (US)

(72) Inventors: **Mark Siminoff**, Mountain View, CA  
(US); **Christopher Loew**, Palo Alto,  
CA (US); **Matthew J. England**, Santa  
Monica, CA (US)

(73) Assignee: **Amazon Technologies, Inc.**, Seattle,  
WA (US)

(\*\*) Term: **15 Years**

(21) Appl. No.: **29/675,154**

(22) Filed: **Dec. 28, 2018**

**Related U.S. Application Data**

(63) Continuation of application No. 29/658,143, filed on  
Jul. 27, 2018.

(51) **LOC (12) Cl.** ..... **14-02**

(52) **U.S. Cl.**  
USPC ..... **D14/452**

(58) **Field of Classification Search**  
USPC ..... D14/447-452, 336, 341, 371, 373, 374,  
D14/375, 376, 377, 239, 126, 127, 128,  
D14/129

CPC .... F16M 11/105; F16M 11/10; F16M 11/048;  
F16M 11/12; F16M 13/022

See application file for complete search history.

(56) **References Cited**

**U.S. PATENT DOCUMENTS**

D401,941 S \* 12/1998 Slappey ..... D14/253  
6,443,408 B1 \* 9/2002 Hung ..... F16M 11/105  
248/130  
D521,511 S \* 5/2006 Kim ..... D14/375

D550,747 S \* 9/2007 Sassano ..... D16/221  
D589,960 S \* 4/2009 Son ..... D14/375  
D606,547 S \* 12/2009 Kamata ..... D14/447

(Continued)

**FOREIGN PATENT DOCUMENTS**

EP 1821025 A2 \* 8/2007 ..... F16M 11/2071

**OTHER PUBLICATIONS**

Amazon. Link: [https://www.amazon.com/dp/B071KDB3R6/ref=cm\\_sw\\_r\\_tw\\_dp\\_U\\_x\\_nQK-Db5M0KE2N](https://www.amazon.com/dp/B071KDB3R6/ref=cm_sw_r_tw_dp_U_x_nQK-Db5M0KE2N). Jun. 14, 2017. Tablet Stands and Holders Adjustable: Tablet Cell Phone Holder 360 Degree. (Year: 2017).\*

(Continued)

*Primary Examiner* — Lauren D McVey

(74) *Attorney, Agent, or Firm* — Lathrop GPM LLP

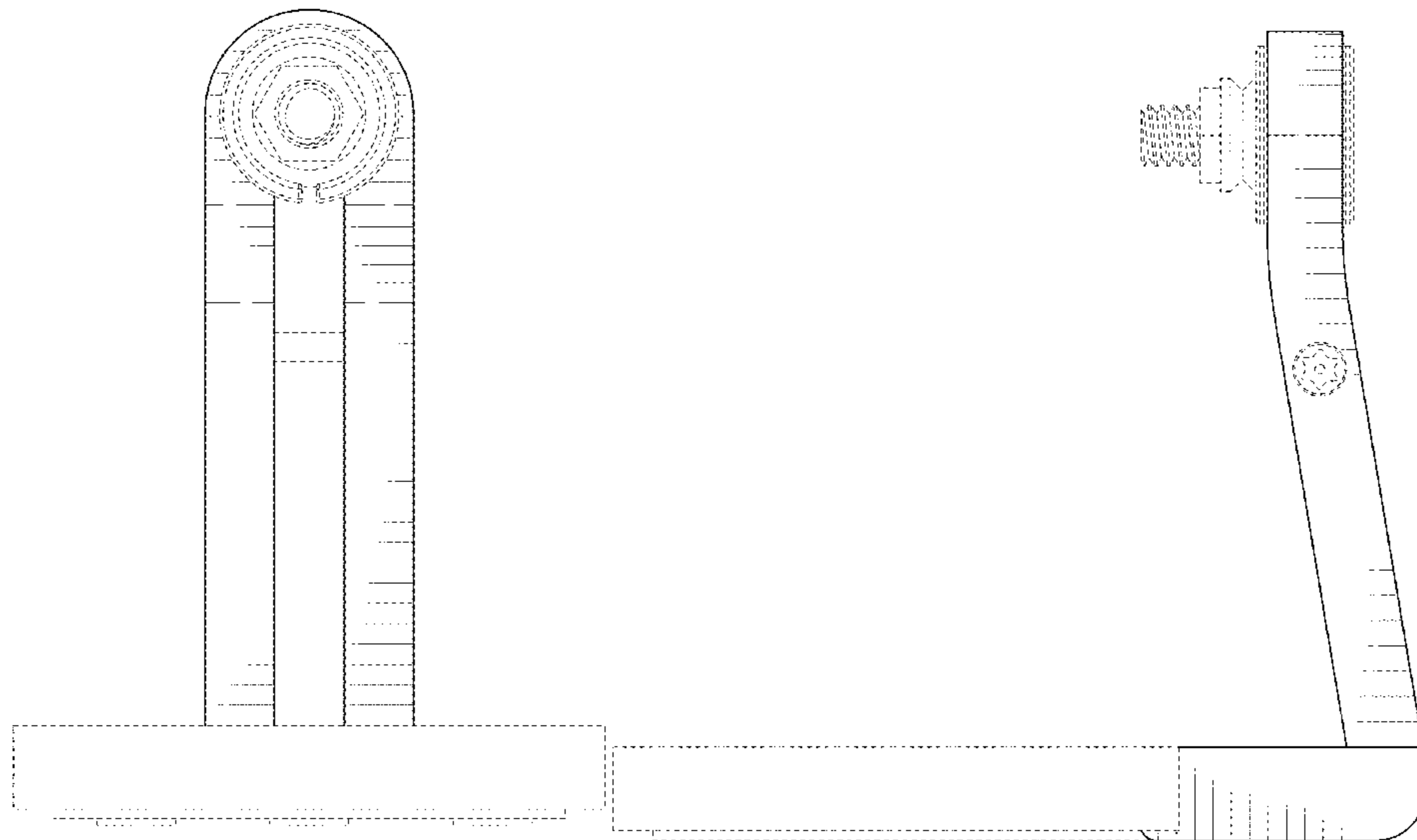
(57) **CLAIM**

The ornamental design for a device mount, as shown and described.

**DESCRIPTION**

FIG. 1 is a front perspective view of a device mount according to our new design;  
FIG. 2 is a front elevation view of the device mount of FIG. 1;  
FIG. 3 is a rear elevation view of the device mount of FIG. 1;  
FIG. 4 is a left-side elevation view of the device mount of FIG. 1;  
FIG. 5 is a right-side elevation view of the device mount of FIG. 1;  
FIG. 6 is a top plan view of the device mount of FIG. 1; and,  
FIG. 7 is a bottom plan view of the device mount of FIG. 1. The broken lines immediately adjacent the shaded areas depict the bounds of the claimed design while all other broken lines are directed to environment; the broken lines form no part of the claimed design.

**1 Claim, 5 Drawing Sheets**



(56)

**References Cited**

U.S. PATENT DOCUMENTS

D610,139 S \* 2/2010 Kamata ..... D14/337  
D637,169 S \* 5/2011 Kim ..... D14/126  
D680,573 S \* 4/2013 Sakamoto ..... D16/235  
D722,067 S \* 2/2015 Jung ..... D14/451  
D851,094 S \* 6/2019 Hung ..... D14/452  
2012/0182680 A1\* 7/2012 Wetzel ..... F16M 11/105  
361/679.06  
2018/0032104 A1\* 2/2018 Schatz ..... G06F 1/1632

OTHER PUBLICATIONS

Amazon. Link: [https://www.amazon.com/dp/B073WHV11Z/ref=cm\\_sw\\_r\\_tw\\_dp\\_U\\_x\\_EPK-DbVW1CDBP](https://www.amazon.com/dp/B073WHV11Z/ref=cm_sw_r_tw_dp_U_x_EPK-DbVW1CDBP). Jul. 12, 2017. AboveTEK Retail Kiosk iPad Stand, 360° Rotating Commercial Tablet Stand. (Year: 2017).\*

\* cited by examiner

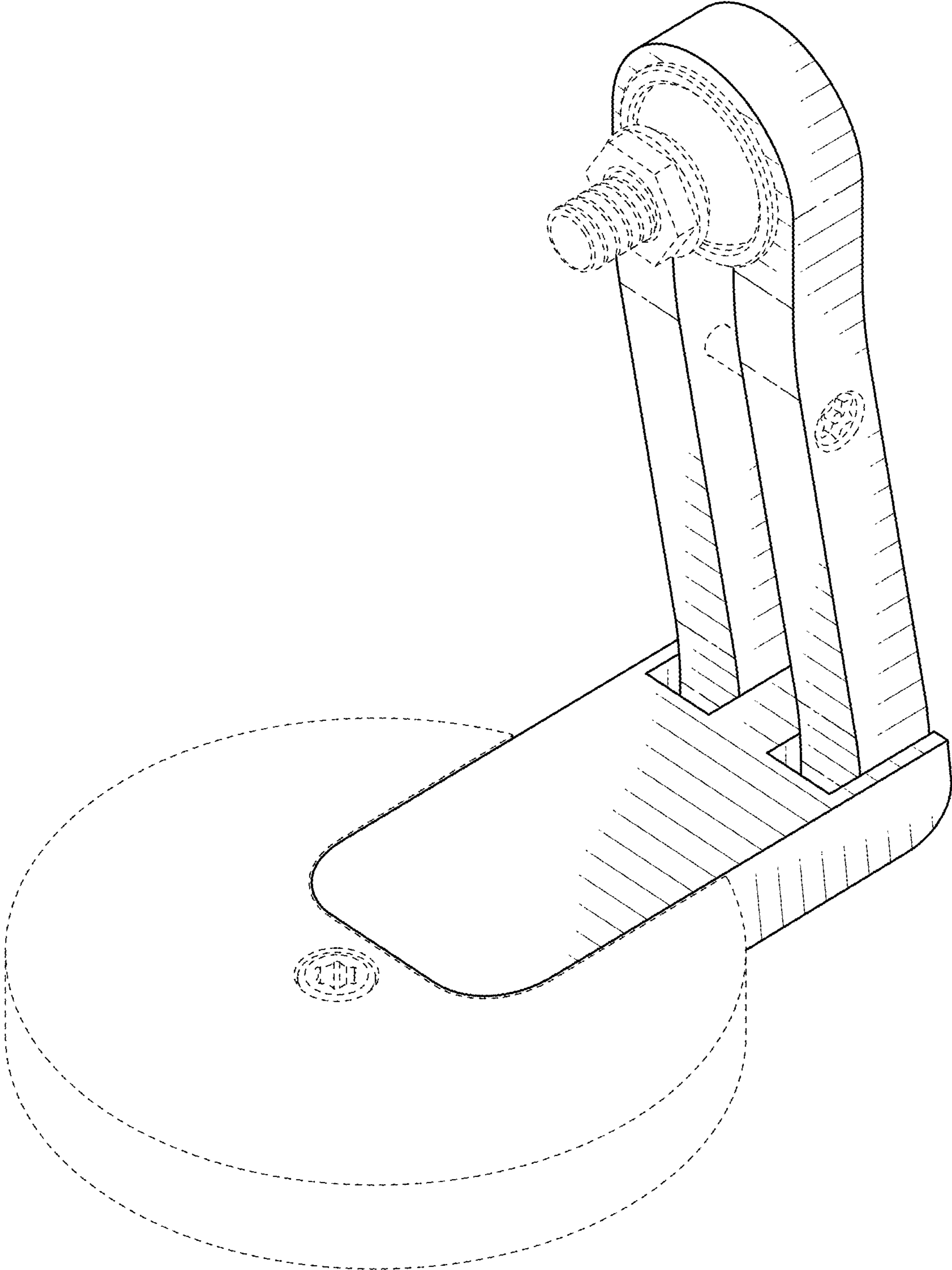


FIG. 1

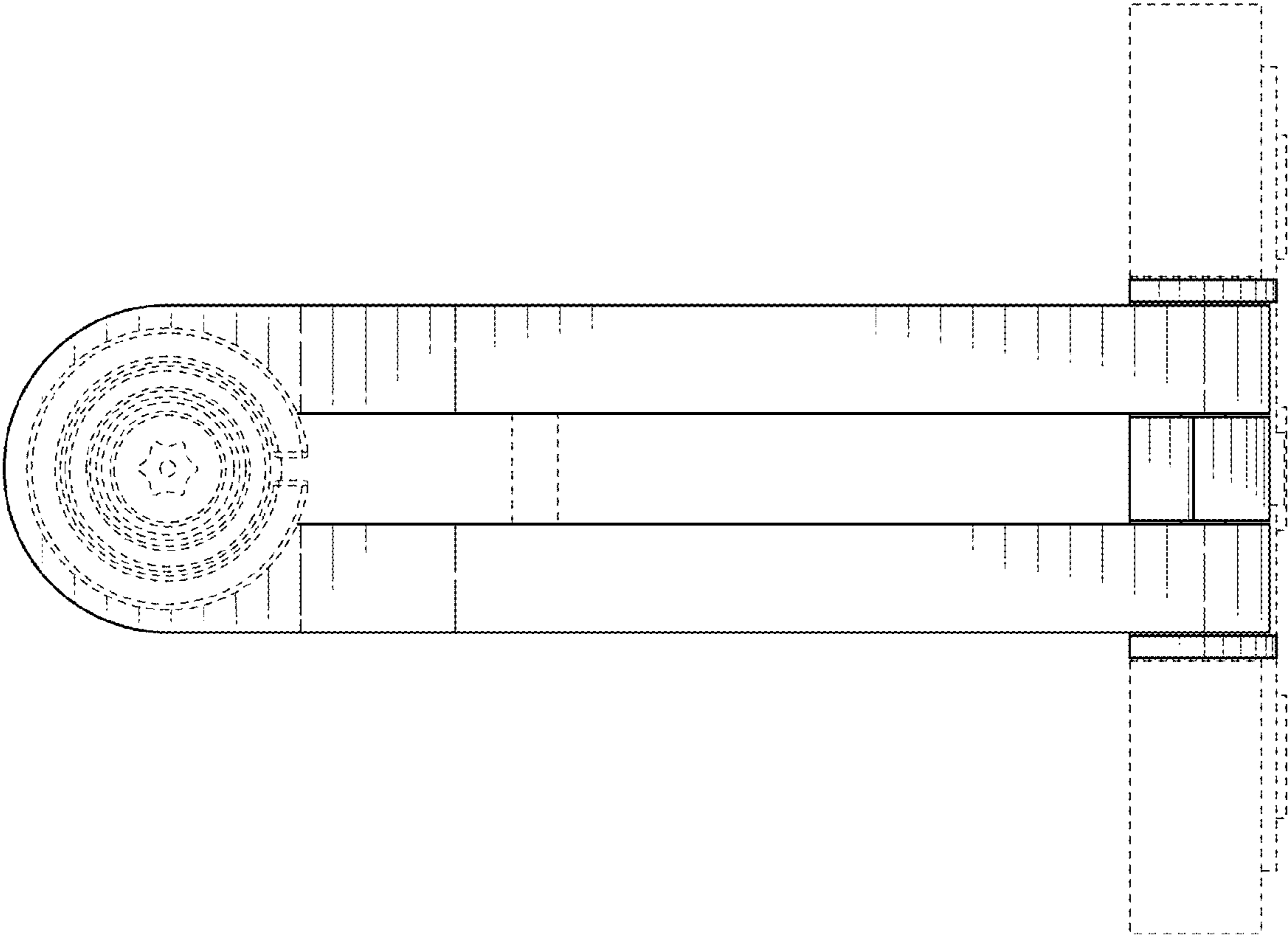


FIG. 3

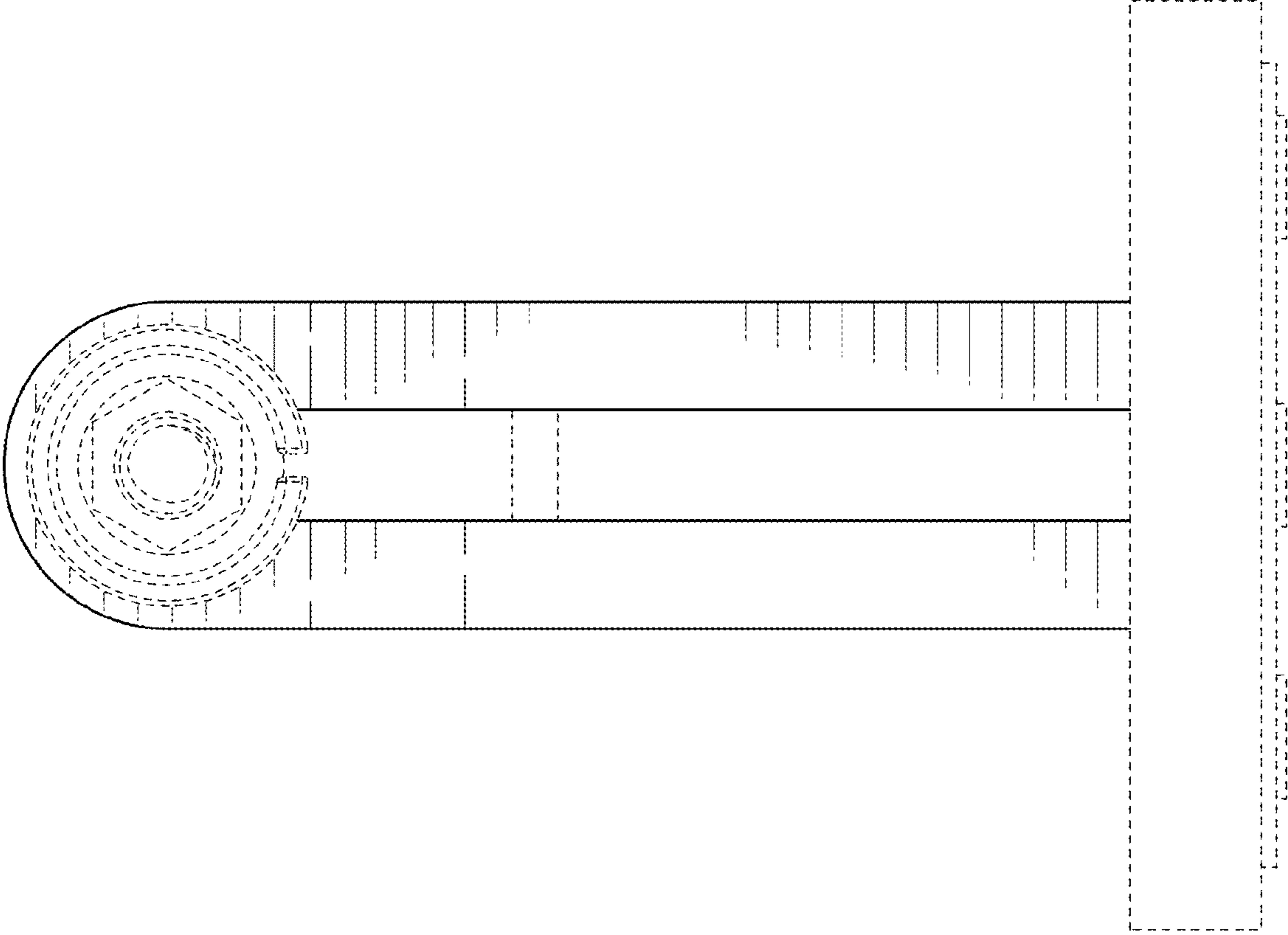


FIG. 2

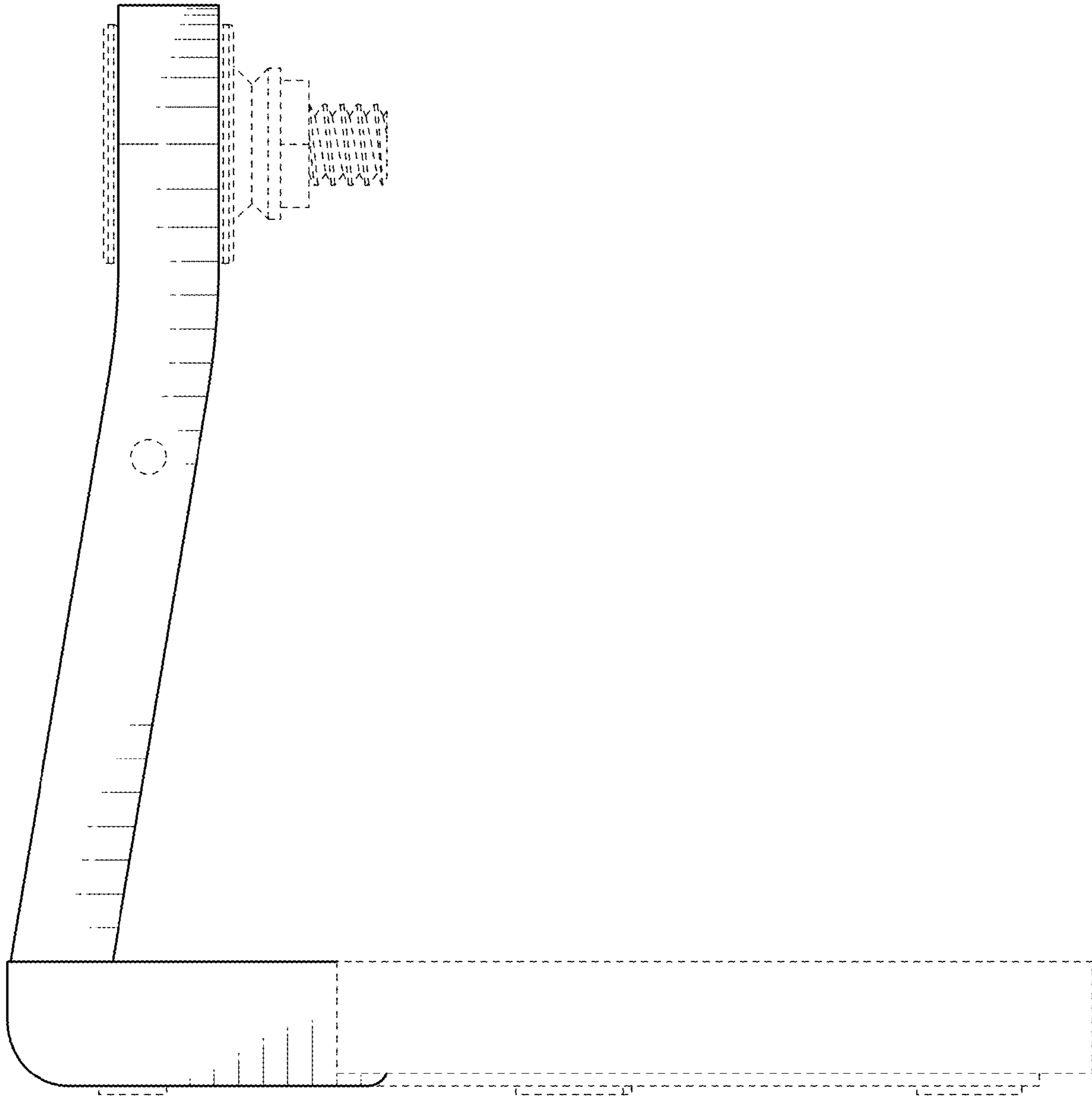


FIG. 4

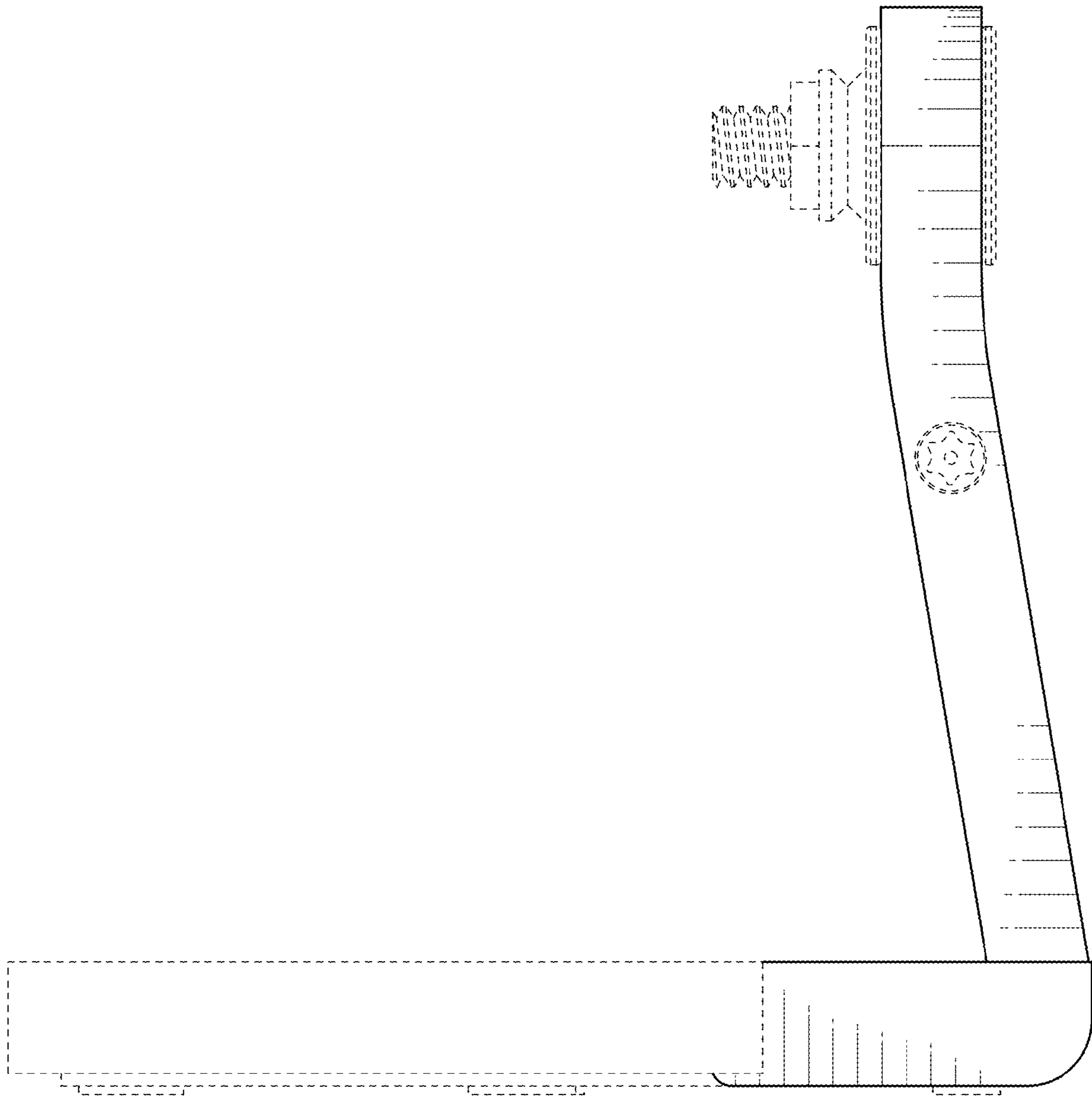


FIG. 5

