



US00D892808S

(12) **United States Design Patent**
Burmester

(10) **Patent No.:** **US D892,808 S**

(45) **Date of Patent:** **** Aug. 11, 2020**

(54) **SUPPORT FOR COMPUTER TERMINALS
AND COMPUTER KEYBOARDS**

(71) Applicant: **Ergonomic Solutions International
Limited, Surrey (GB)**

(72) Inventor: **Benny Burmester, Norresundby (DK)**

(73) Assignee: **ERGONOMIC SOLUTIONS
INTERNATIONAL LIMITED, Surrey
(GB)**

(**) Term: **15 Years**

(21) Appl. No.: **29/680,132**

(22) Filed: **Feb. 13, 2019**

Related U.S. Application Data

(60) Continuation of application No. 29/588,799, filed on
Dec. 22, 2016, now abandoned, which is a division of
application No. 29/543,067, filed on Oct. 20, 2015,
now Pat. No. Des. 846,554.

(51) **LOC (12) Cl.** **14-02**

(52) **U.S. Cl.**
USPC **D14/447**

(58) **Field of Classification Search**
USPC D14/447-452, 336, 337, 341, 371-377,
D14/126, 127, 128, 129
CPC F16M 11/105; F16M 11/10; F16M 11/048;
F16M 11/12; F16M 13/022
See application file for complete search history.

(56) **References Cited**

U.S. PATENT DOCUMENTS

D538,766 S * 3/2007 Hsiung D14/132
D574,893 S * 8/2008 Bucolo D20/10

D609,552 S * 2/2010 Anderson D8/349
D632,396 S * 2/2011 Kasabach D24/186
D717,298 S * 11/2014 Sale D14/371
D748,639 S * 2/2016 Khodapanah D14/447
D756,366 S * 5/2016 Floersch D14/447
D768,634 S * 10/2016 Akana D14/432
D813,239 S * 3/2018 Akana D14/432
D825,549 S * 8/2018 Lebovitz D14/253
D846,554 S * 4/2019 Burmester D14/447

* cited by examiner

Primary Examiner — Lauren D McVey

(74) *Attorney, Agent, or Firm* — Berg Hill Greenleaf
Ruscitti LLP

(57) **CLAIM**

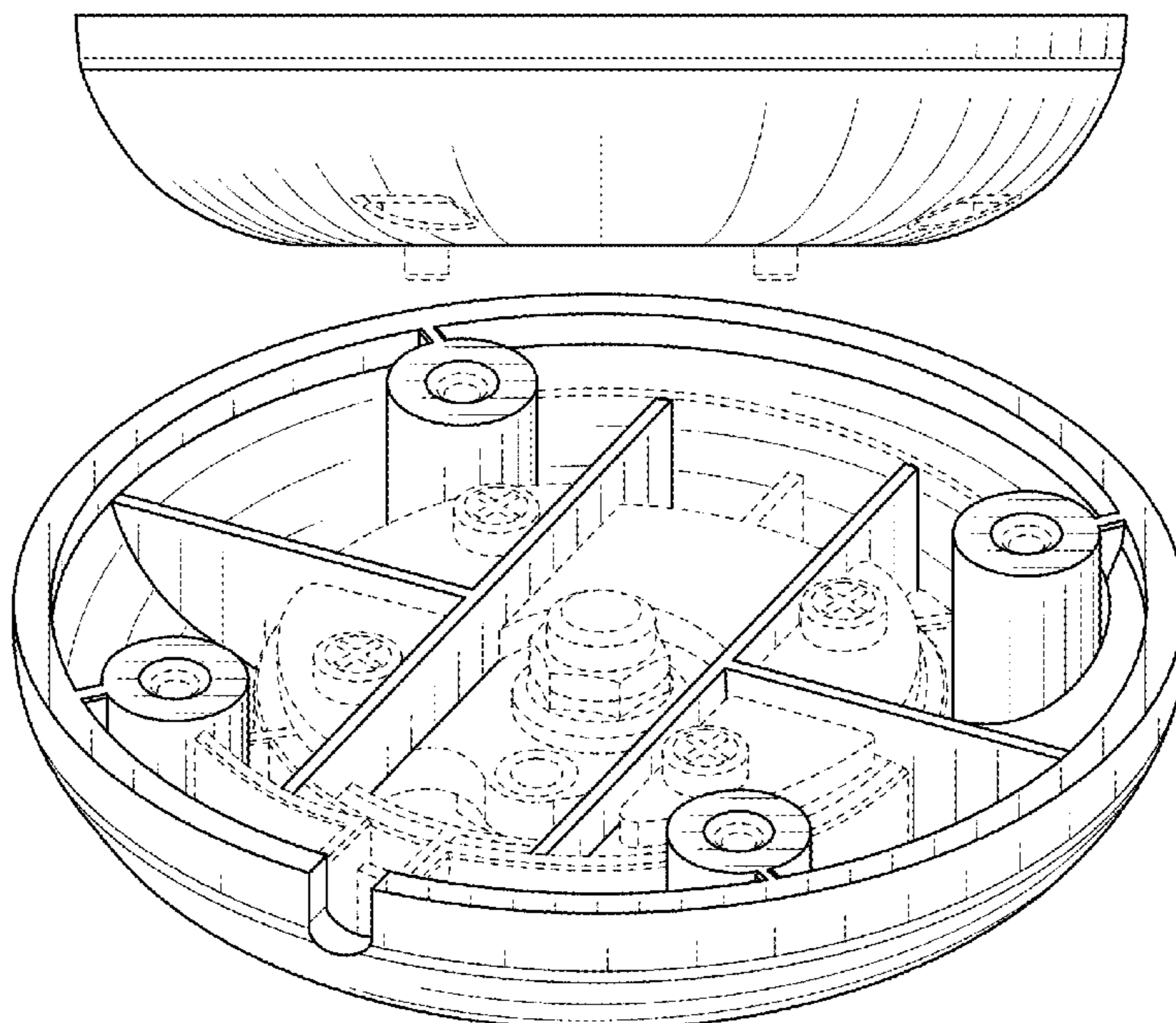
The ornamental design for a support for computer terminals
and computer keyboards, as shown and described.

DESCRIPTION

FIG. 1 is a front elevation view of the support for computer
terminals and computer keyboards showing my new design;
FIG. 2 is a bottom plan view thereof;
FIG. 3 is a top plan view thereof;
FIG. 4 is a right side elevation view thereof;
FIG. 5 is a left side elevation view thereof;
FIG. 6 is a rear elevation view thereof; and,
FIG. 7 is a top perspective view thereof.

The broken lines immediately adjacent to the claim depict
the bounds of the claimed design, while all other broken
lines are directed to environment. The broken lines form no
part of the claimed design.

1 Claim, 4 Drawing Sheets



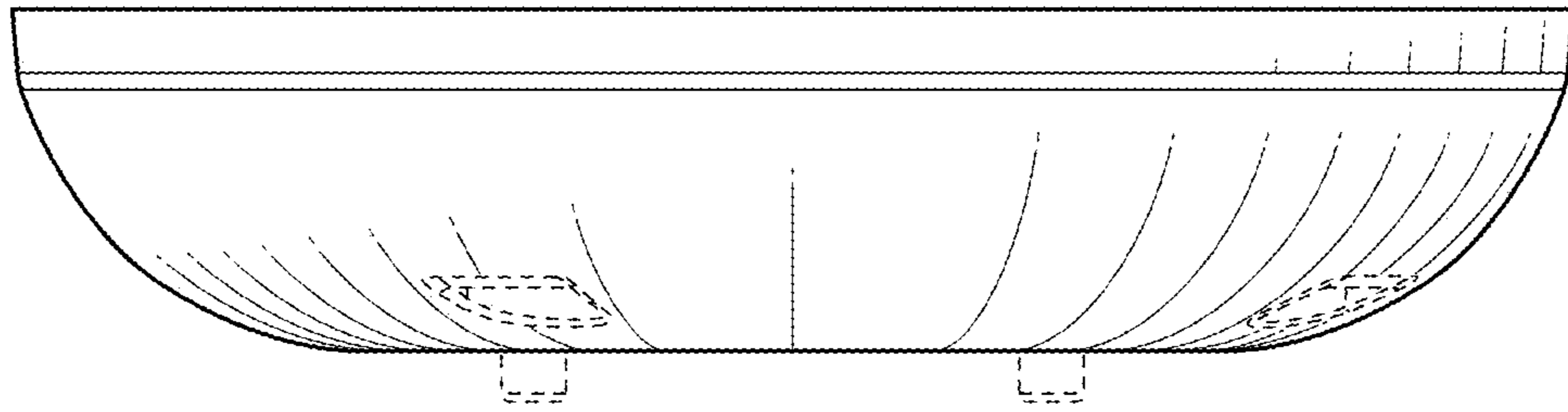


FIG. 1

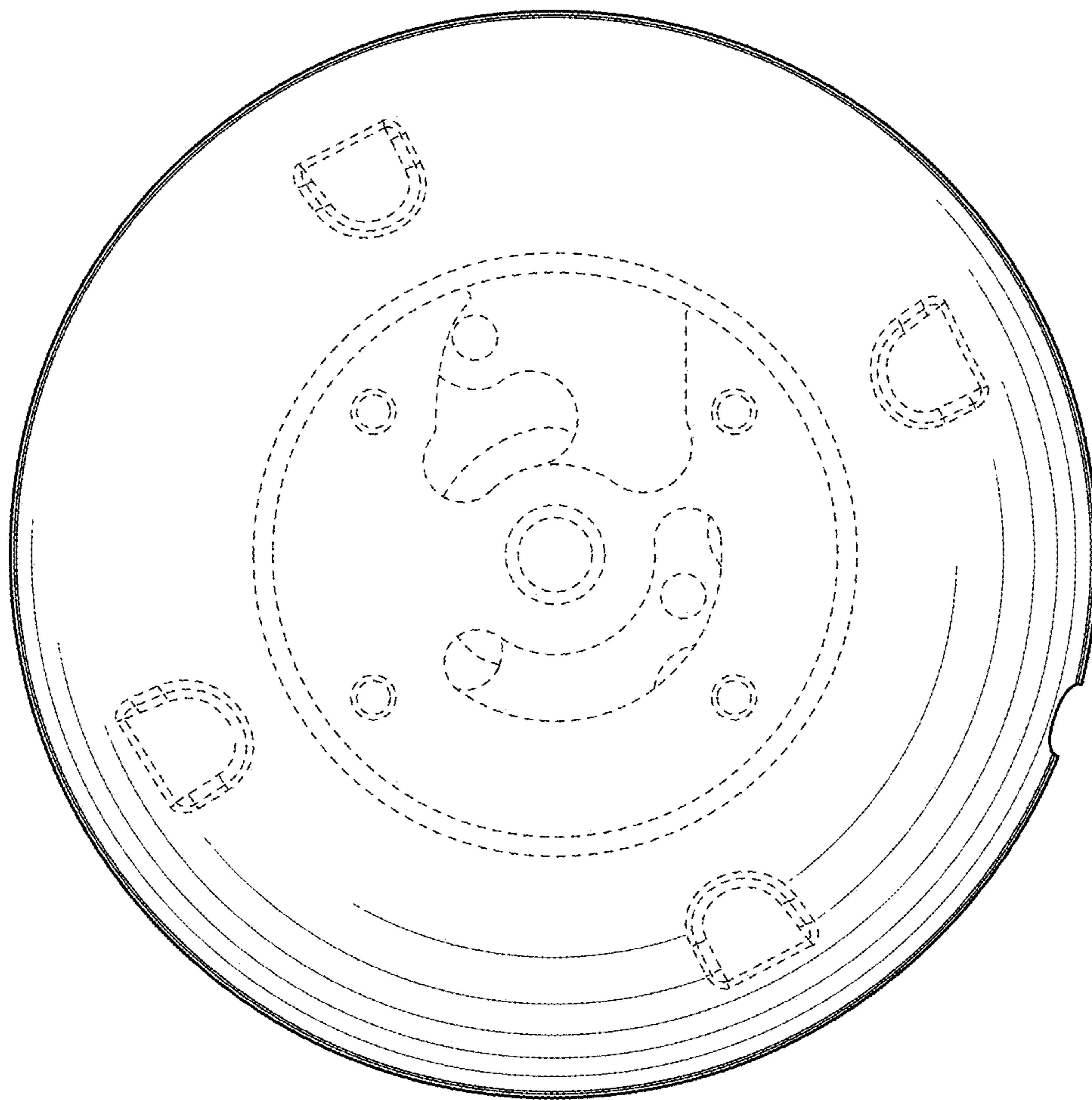


FIG. 2

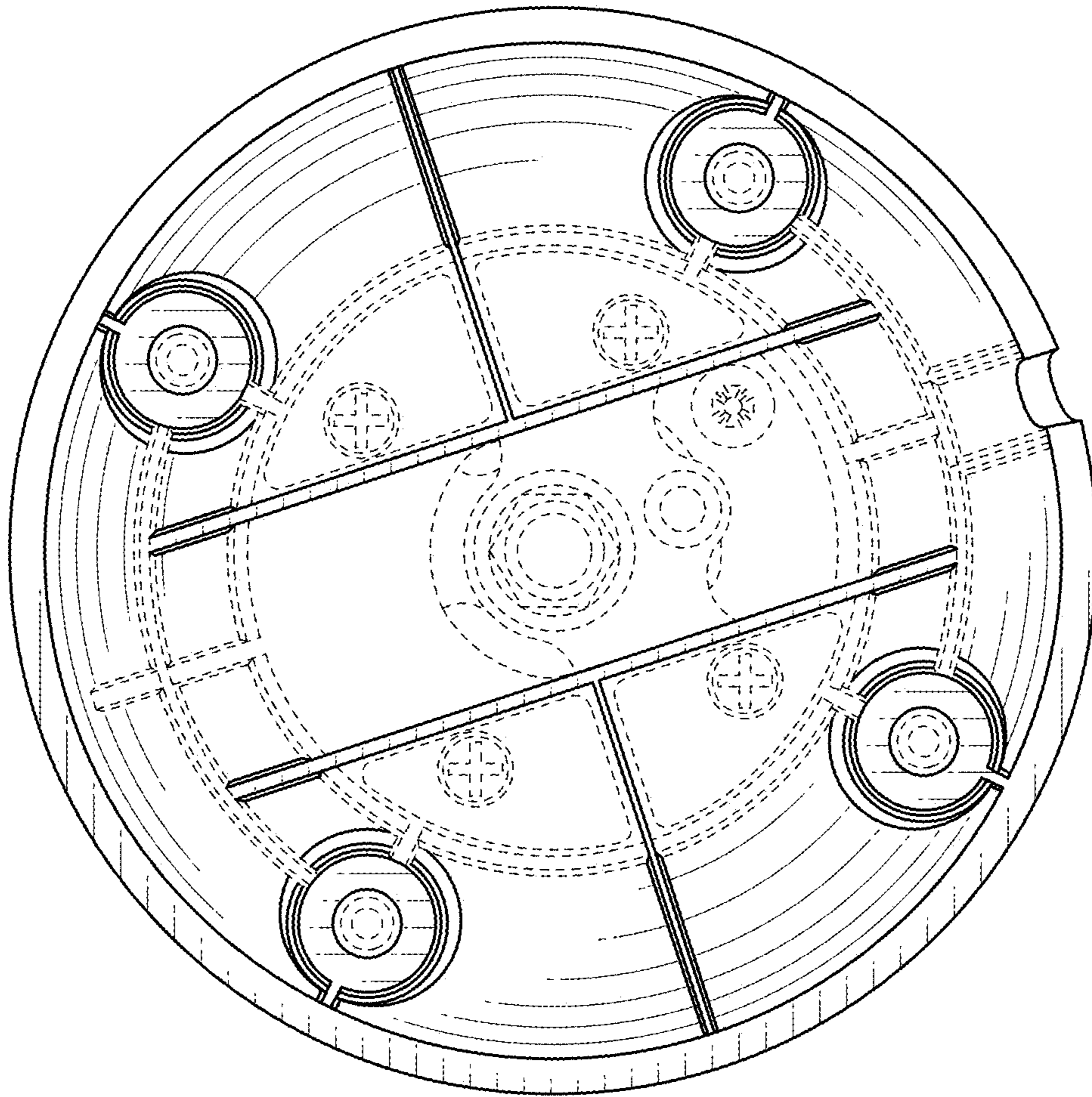


FIG. 3

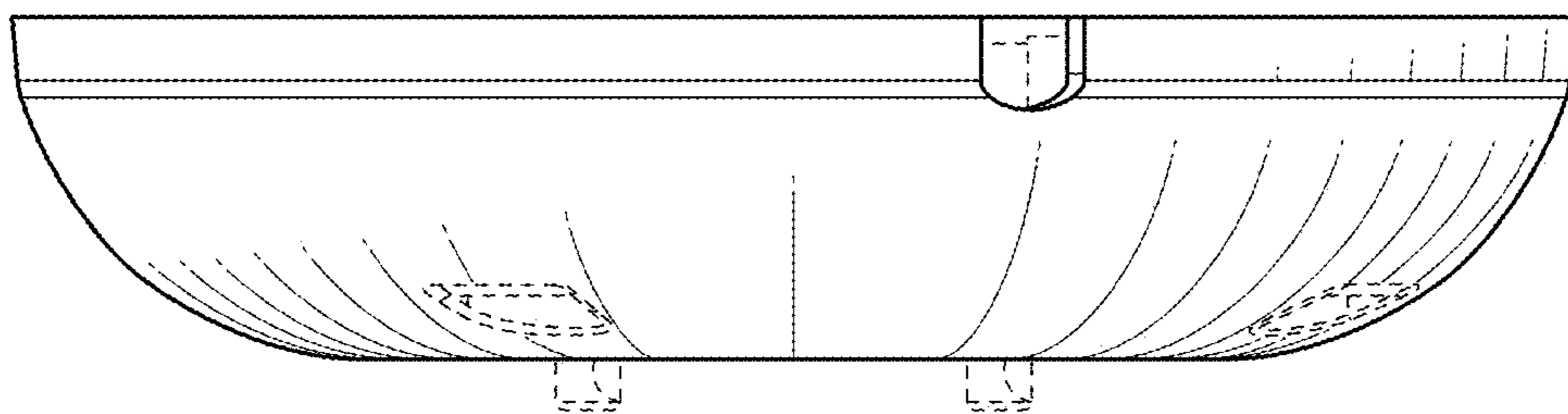


FIG. 4

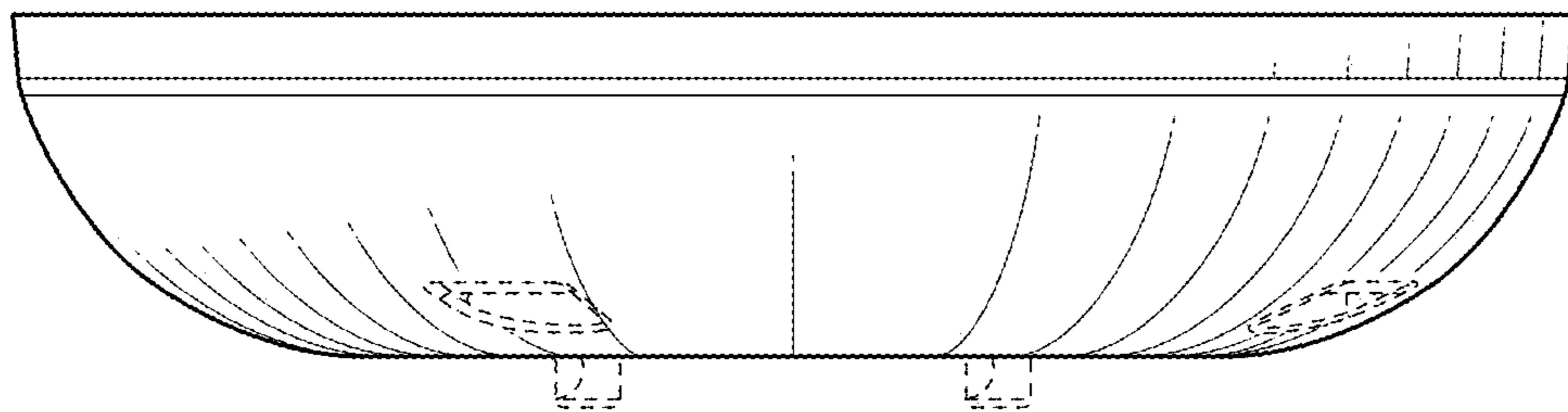


FIG. 5

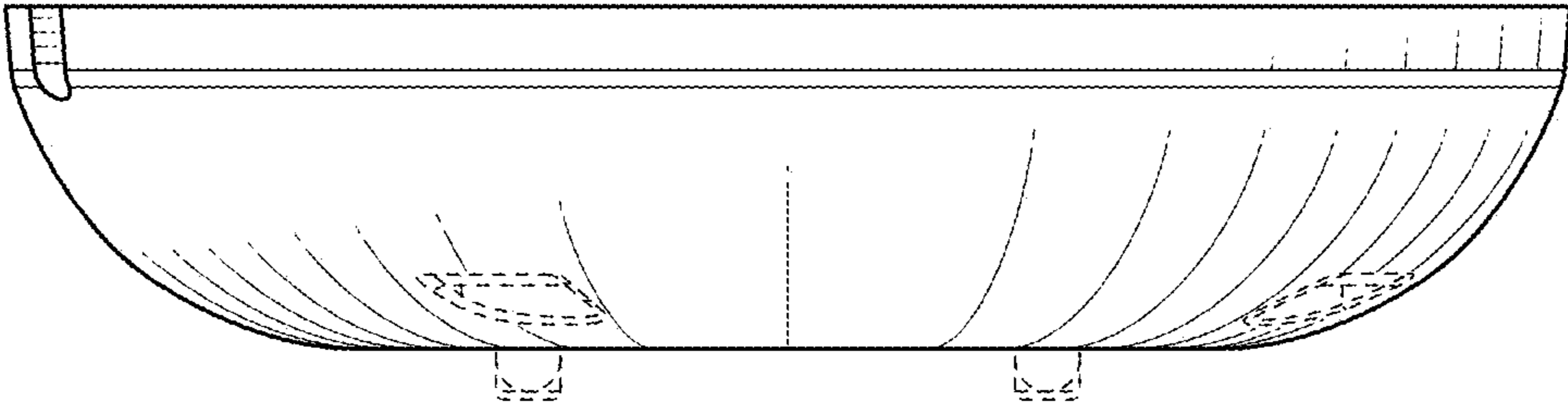


FIG. 6

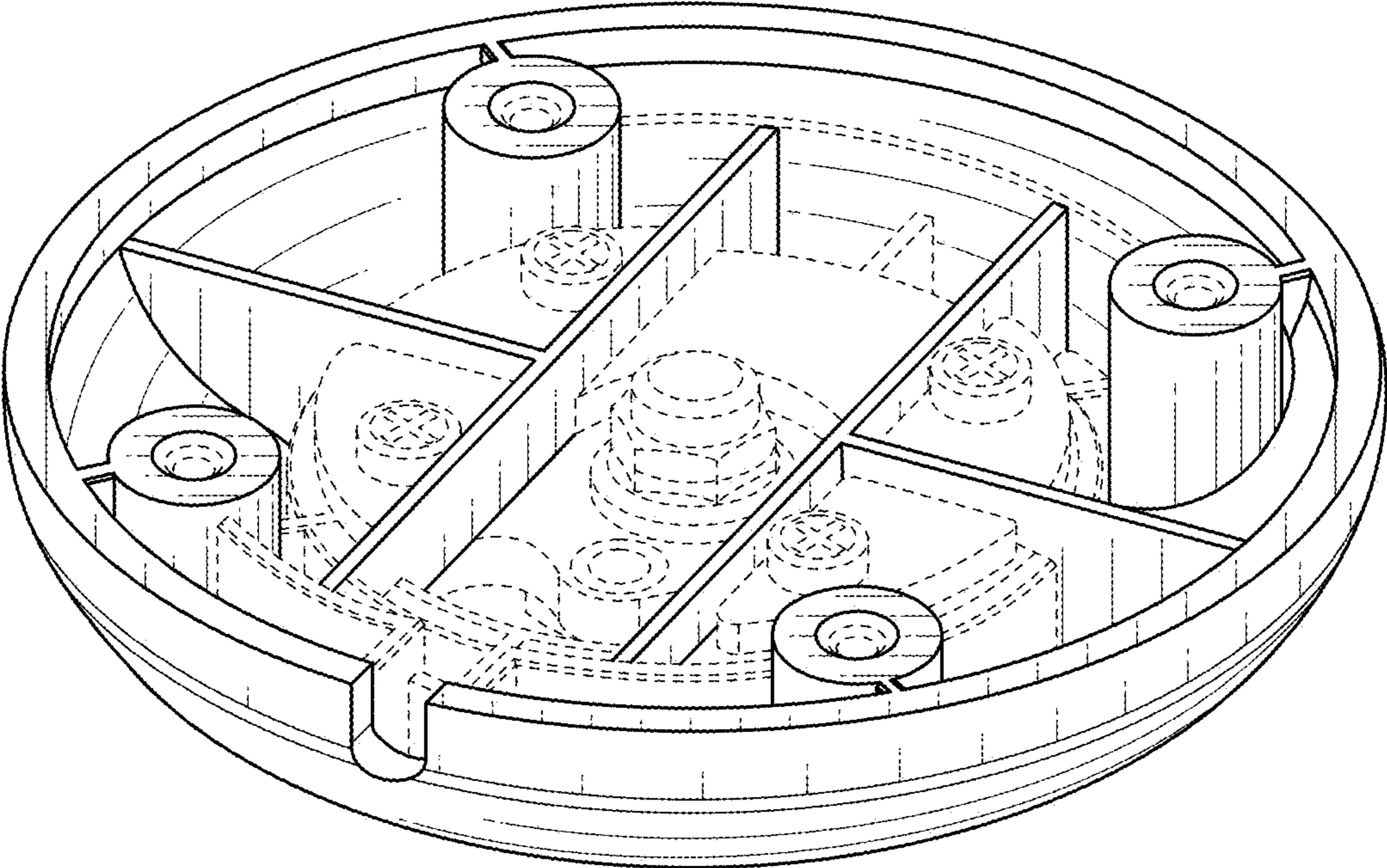


FIG. 7