



US00D892805S

(12) **United States Design Patent**
Piper et al.

(10) **Patent No.:** **US D892,805 S**

(45) **Date of Patent:** **** Aug. 11, 2020**

(54) **CASE FOR TABLET-SHAPED PORTABLE ELECTRONIC COMPUTING DEVICE**

(71) Applicant: **Pioneer Square Brands, Inc.**, Seattle, WA (US)

(72) Inventors: **Brian Lewis Piper**, Seattle, WA (US);
Michael Cooper Ferren, Camas, WA (US)

(73) Assignee: **PIONEER SQUARE BRANDS, INC.**, McLean, VA (US)

(**) Term: **15 Years**

(21) Appl. No.: **29/724,864**

(22) Filed: **Feb. 19, 2020**

(51) **LOC (12) Cl.** **14-02**

(52) **U.S. Cl.**
USPC **D14/440**

(58) **Field of Classification Search**
USPC D14/440, 447, 250; 206/45.23, 320,
206/45.2; 361/679.55; 294/25; 224/218
CPC ... G06F 1/1628; G06F 1/1626; A47B 23/044;
H04B 1/3888
See application file for complete search history.

(56) **References Cited**

U.S. PATENT DOCUMENTS

D676,050 S	2/2013	Sanz
D679,278 S	4/2013	Cho et al.
D690,305 S	9/2013	Wen
D691,611 S	10/2013	Kirzinger
D701,211 S	3/2014	Ng
D706,783 S	6/2014	Almodova
D720,756 S	1/2015	Stavarakakis
D722,059 S	2/2015	Hirst
D724,090 S	3/2015	Kim et al.
D724,093 S	3/2015	Dong

D726,731 S	4/2015	Kim
D731,493 S	6/2015	Mills
D731,494 S	6/2015	Barfoot et al.
D733,154 S	6/2015	Armstrong et al.
D744,491 S	12/2015	Lee et al.
D748,097 S	1/2016	Feng
D752,593 S *	3/2016	Diebel G06F 1/1679 D14/440
D757,018 S	5/2016	Pearce
D763,855 S	8/2016	Poon et al.
D764,472 S	8/2016	Corcoran et al.
D764,475 S	8/2016	Penn
D765,663 S	9/2016	Shih et al.
D775,132 S	12/2016	Smith et al.
D805,519 S	12/2017	Diebel et al.
D806,713 S	1/2018	Wright et al.
D817,334 S	5/2018	Fenton et al.
D829,721 S	10/2018	Zhang
D831,659 S	10/2018	Gao
D832,270 S	10/2018	Cheng

(Continued)

Primary Examiner — Cynthia R Underwood

(74) *Attorney, Agent, or Firm* — Grandview Law

(57) **CLAIM**

The ornamental design for a case for tablet-shaped portable electronic computing device, as shown and described.

DESCRIPTION

FIG. 1 is a rear perspective view of a case for tablet-shaped portable electronic computing device showing our new design;

FIG. 2 is a front plan view thereof;

FIG. 3 is a rear plan view thereof;

FIG. 4 is a top elevation view thereof;

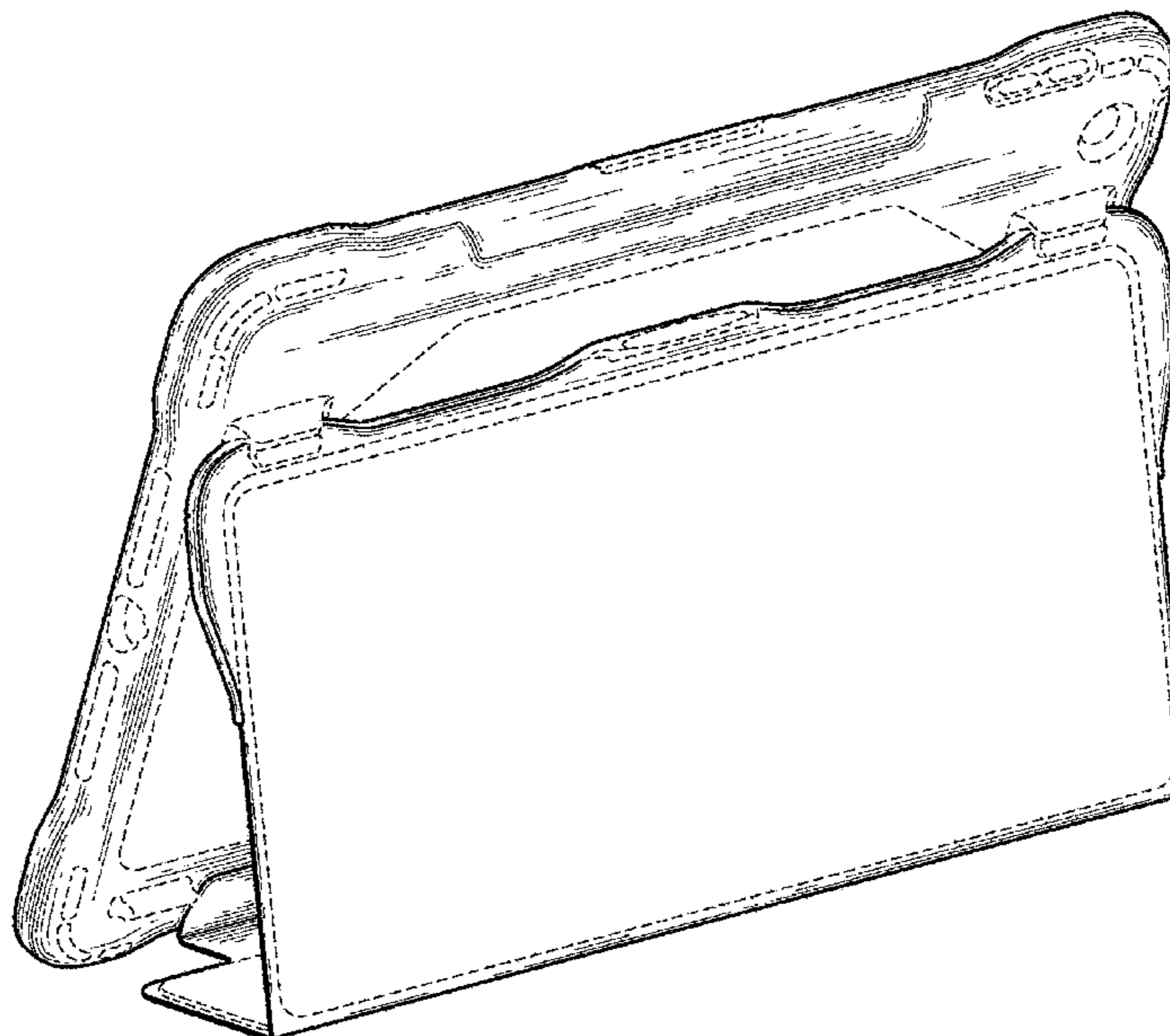
FIG. 5 is a bottom elevational view thereof;

FIG. 6 is a left elevational view thereof; and,

FIG. 7 is a right elevational view thereof.

The features shown in broken lines in the drawing figures depict features that form no part of the claimed design.

1 Claim, 5 Drawing Sheets



(56)

References Cited

U.S. PATENT DOCUMENTS

D832,857 S 11/2018 Jinkinson et al.
 D837,796 S 1/2019 Kim et al.
 D838,275 S 1/2019 Nyholm
 D841,012 S 2/2019 Kim et al.
 D841,013 S 2/2019 Ferren et al.
 D844,611 S * 4/2019 Ferren D14/392
 D845,305 S 4/2019 Xu
 D847,817 S 5/2019 Cheng
 D848,441 S 5/2019 Ferren et al.
 D850,454 S 6/2019 Kim et al.
 D851,648 S 6/2019 Tan
 D852,200 S 6/2019 Chan et al.
 D852,201 S 6/2019 Chan et al.
 D852,802 S 7/2019 Gao
 D864,210 S 7/2019 Chan et al.
 D857,023 S * 8/2019 Hyun D14/440
 D862,480 S 10/2019 Chan et al.
 D863,314 S 10/2019 Chan et al.
 D863,315 S 10/2019 Chan et al.
 D863,316 S 10/2019 Chan et al.
 D863,317 S 10/2019 Piper et al.
 D868,072 S 11/2019 Lei
 D868,789 S 12/2019 Weng
 D868,790 S 12/2019 Weng
 D868,791 S 12/2019 Weng
 D871,415 S 12/2019 Lin
 D872,091 S 1/2020 Lu
 D872,093 S 1/2020 Xu
 D874,466 S 2/2020 Lei
 D874,467 S 2/2020 Piper et al.

2008/0167095 A1* 7/2008 Kim H04M 1/0216
 455/575.3
 2009/0159763 A1* 6/2009 Kim F16M 13/00
 248/174
 2009/0194209 A1* 8/2009 De Filippis A45C 11/00
 150/107
 2012/0268891 A1* 10/2012 Cencioni G06F 1/1626
 361/679.55
 2013/0088431 A1* 4/2013 Ballagas G06F 1/1626
 345/168
 2013/0214661 A1* 8/2013 McBroom G06F 1/162
 312/325
 2013/0223005 A1* 8/2013 Smith G06F 1/1628
 361/679.55
 2013/0233762 A1* 9/2013 Balaji B65D 25/00
 206/736
 2013/0241381 A1* 9/2013 Hyncek H05K 5/0217
 312/240
 2014/0246340 A1* 9/2014 Jiang A45C 11/00
 206/45.23
 2015/0065208 A1* 3/2015 Balaji H04M 1/04
 455/575.8
 2015/0151887 A1* 6/2015 Huang A45C 11/00
 224/191
 2015/0237979 A1* 8/2015 Huang A45C 11/00
 206/45.25
 2015/0263776 A1* 9/2015 Shyu A45C 13/002
 455/575.8
 2015/0266610 A1* 9/2015 Melmon B65D 5/5206
 206/45.23
 2015/0280768 A1* 10/2015 Huang H04B 1/3888
 455/575.8

* cited by examiner

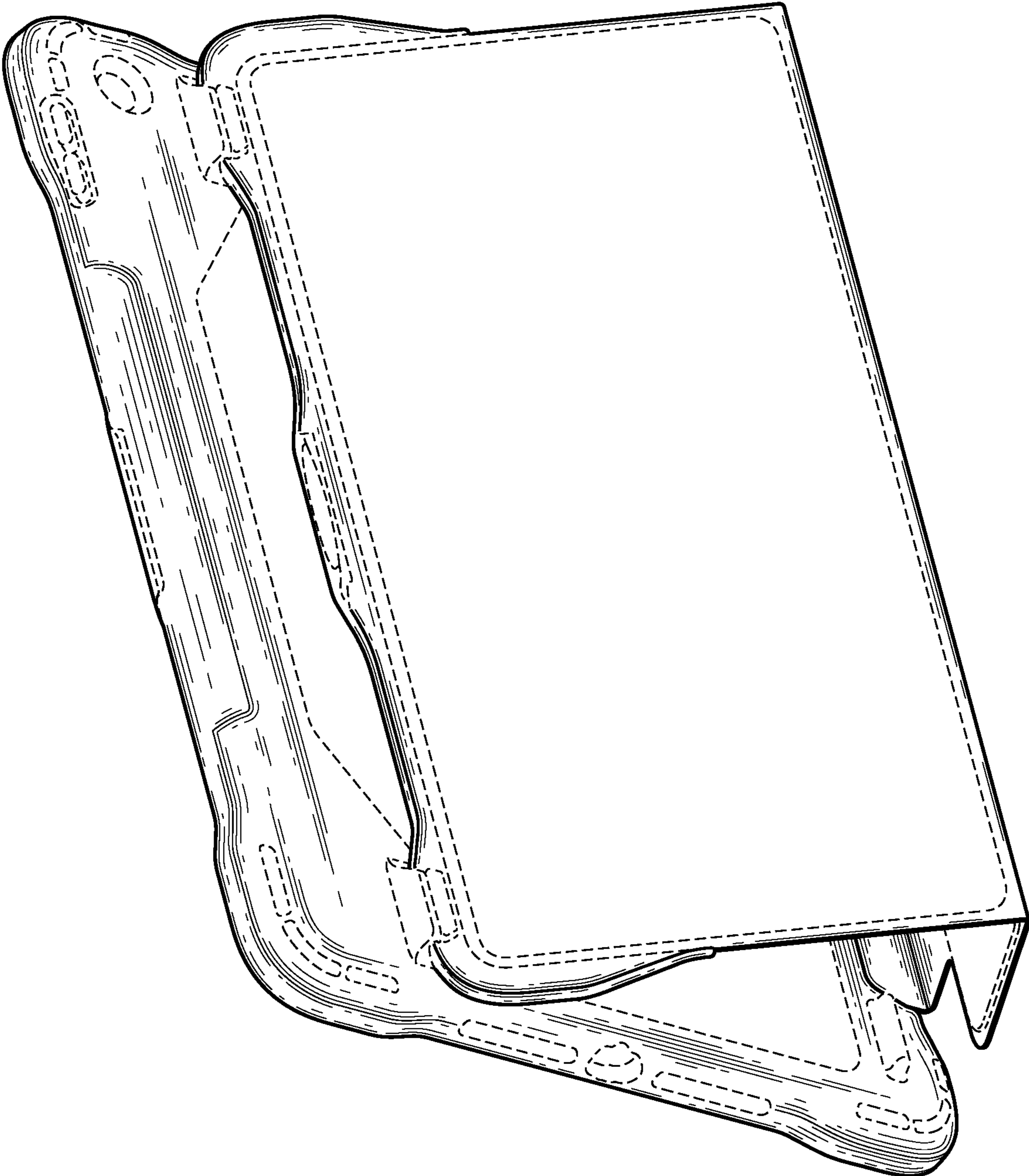


Fig. 1

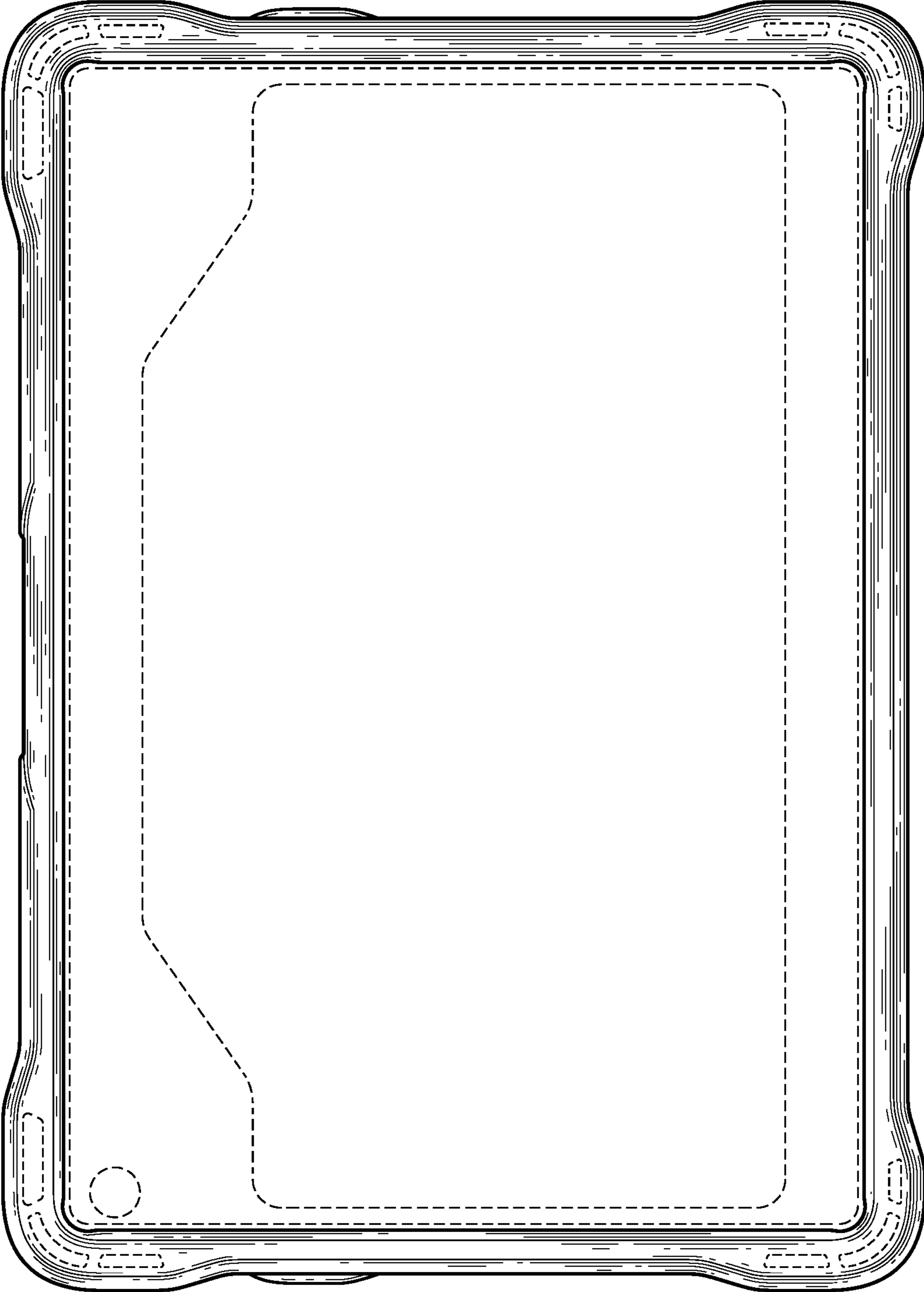


Fig. 2

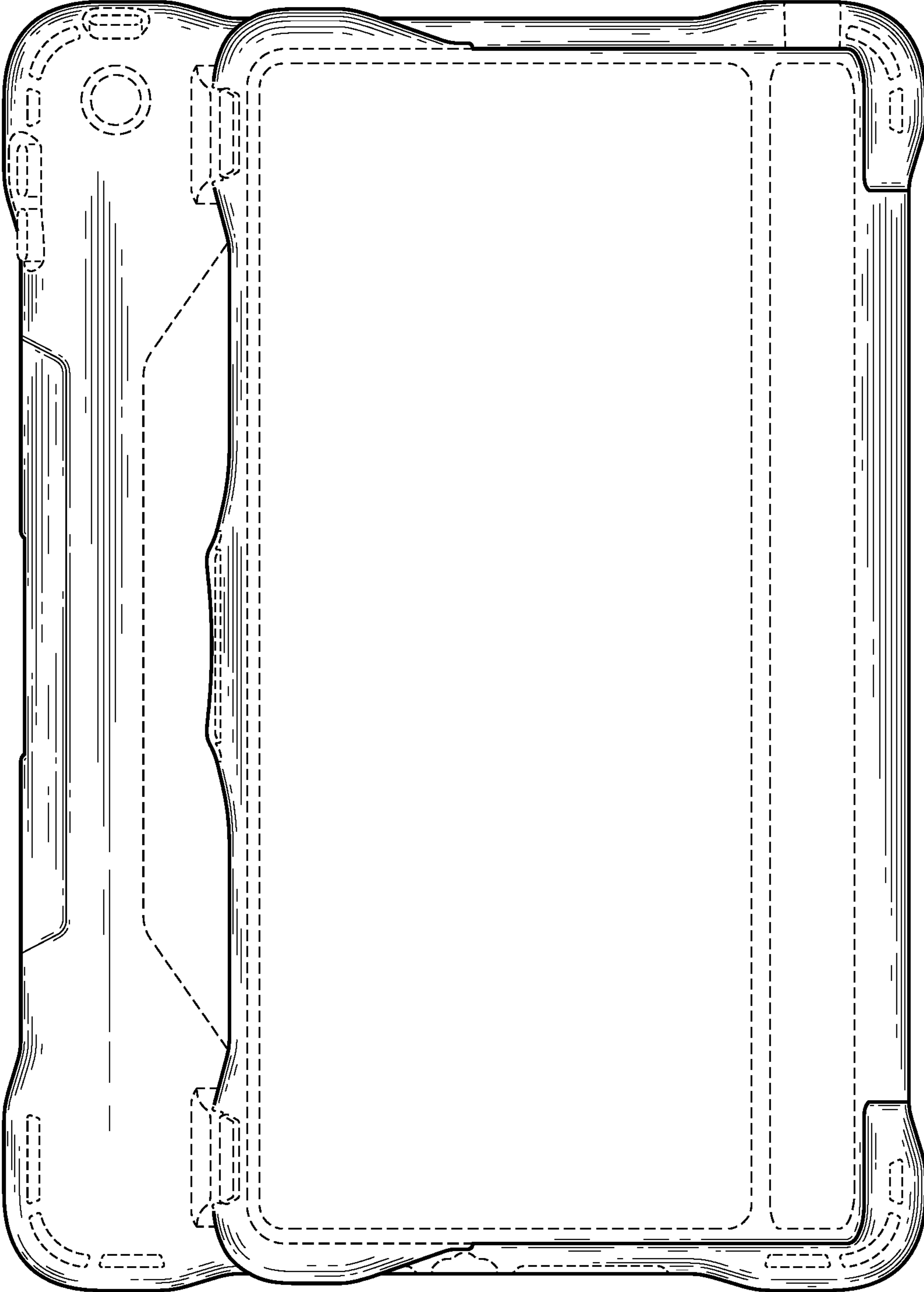


Fig. 3

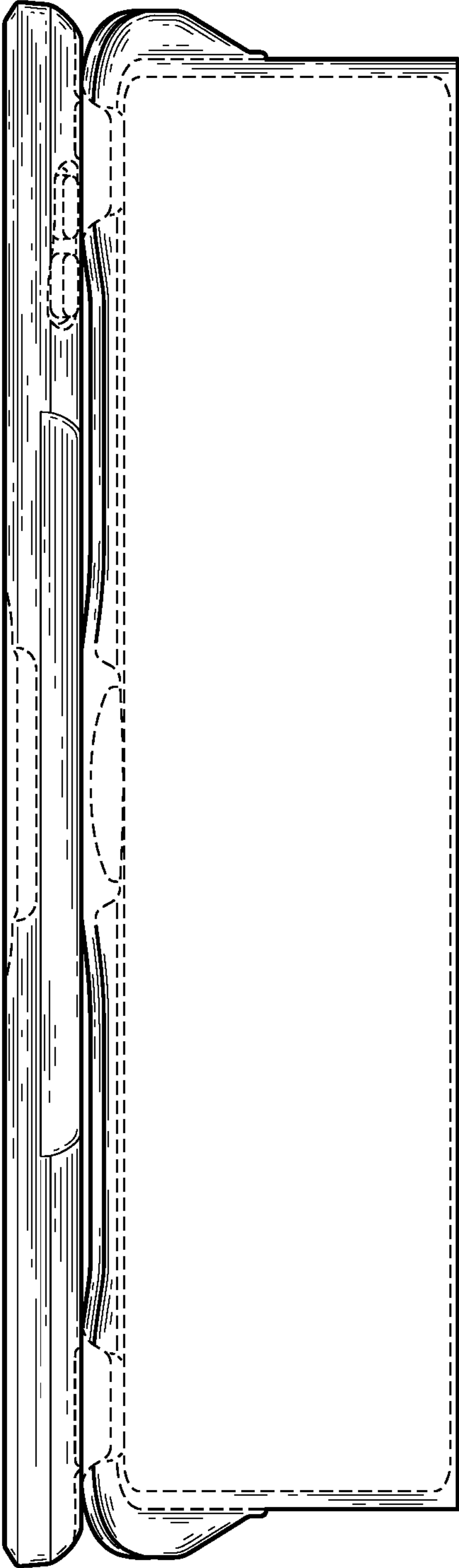


Fig. 4

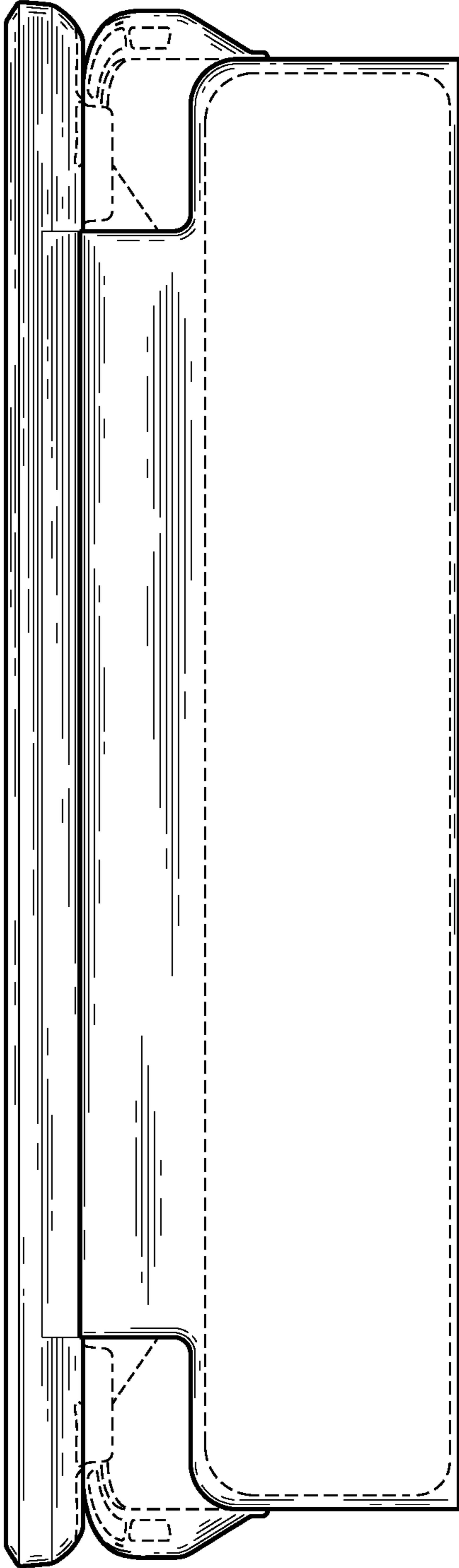


Fig. 5

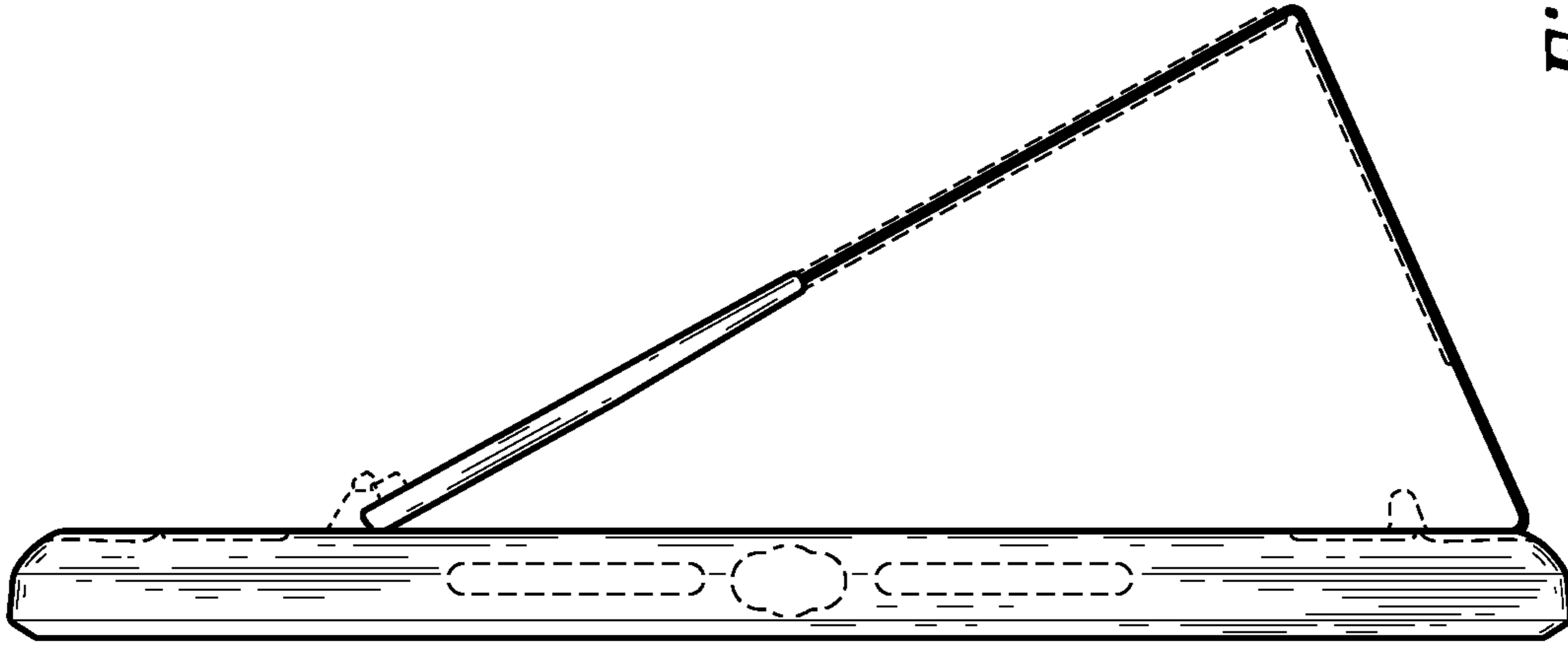


Fig. 7

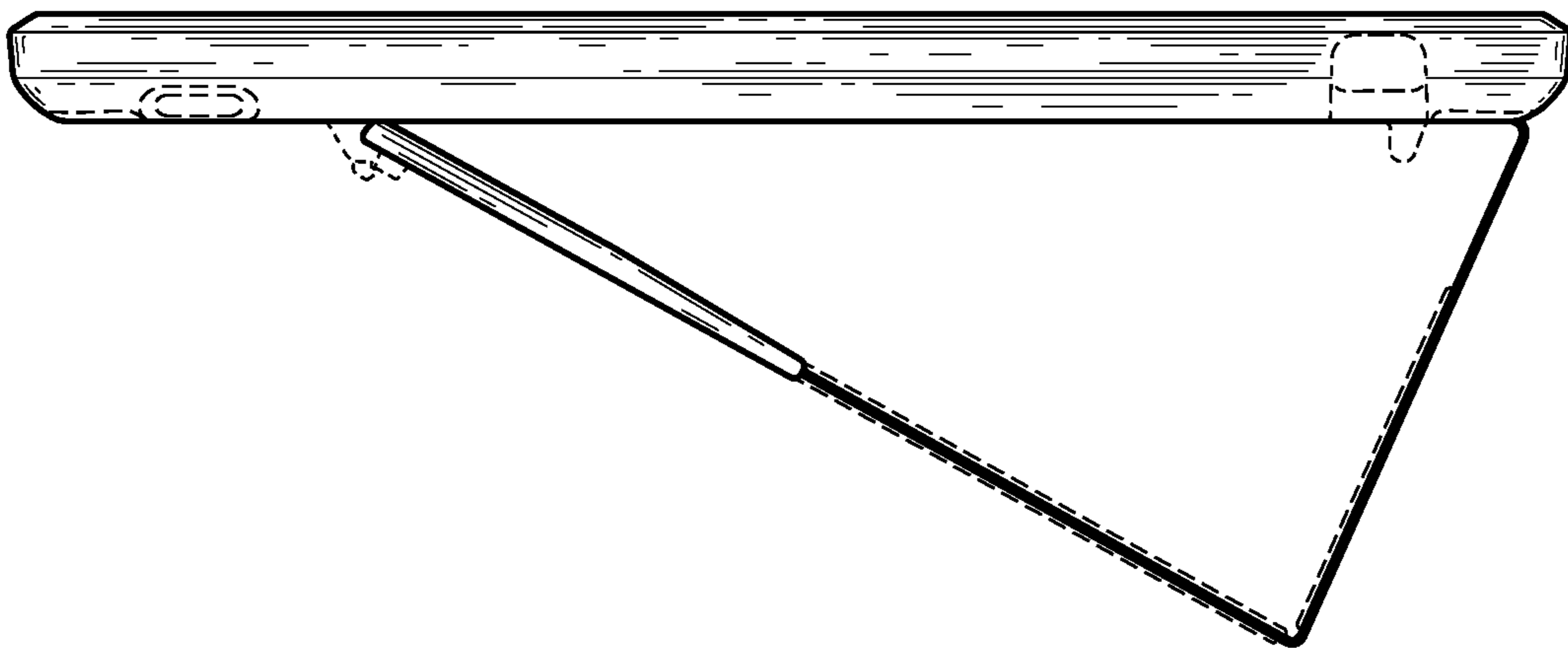


Fig. 6