



US00D892804S

(12) **United States Design Patent**  
**Lin**

(10) **Patent No.:** **US D892,804 S**

(45) **Date of Patent:** **\*\* Aug. 11, 2020**

(54) **TABLET CASE**

(71) Applicant: **Guangzhou Roiskin Electrical Technology Co. Ltd**, Guangzhou, Guangdong (CN)

(72) Inventor: **YuYing Lin**, Lufeng (CN)

(\*\*) Term: **15 Years**

(21) Appl. No.: **29/694,900**

(22) Filed: **Jun. 14, 2019**

(51) **LOC (12) Cl.** ..... **14-02**

(52) **U.S. Cl.**  
USPC ..... **D14/440**

(58) **Field of Classification Search**  
USPC ..... D14/440, 447, 250; 206/45.23, 320, 206/45.2; 361/679.55; 294/25; 224/218  
CPC .... G06F 1/1628; G06F 1/1626; A47B 23/044  
See application file for complete search history.

(56) **References Cited**

**U.S. PATENT DOCUMENTS**

D721,686 S *	1/2015	Jacob	.....	D14/250
D824,911 S *	8/2018	London	.....	D14/440
D851,648 S *	6/2019	Tan	.....	D14/440
D853,402 S *	7/2019	Yang	.....	D14/440
D868,788 S *	12/2019	Weng	.....	D14/440
D868,789 S *	12/2019	Weng	.....	D14/440
D868,791 S *	12/2019	Weng	.....	D14/440
2017/0196327 A1 *	7/2017	Ma	.....	H04B 1/3888
2019/0142992 A1 *	5/2019	Davidson	.....	B29C 44/5627 424/445

2019/0144163 A1\* 5/2019 Lim ..... B65D 19/04  
108/53.5

2019/0149808 A1\* 5/2019 Ng ..... H04N 13/327  
13/327

2019/0275714 A1\* 9/2019 Kanoh ..... B29C 45/14065

\* cited by examiner

*Primary Examiner* — Cynthia R Underwood

(74) *Attorney, Agent, or Firm* — ZANIP

(57) **CLAIM**

The ornamental design for a tablet case, as shown and described.

**DESCRIPTION**

FIG. 1 is a first perspective view of a tablet case showing my design;

FIG. 2 is a second perspective view thereof;

FIG. 3 is a front view thereof;

FIG. 4 is a back view thereof;

FIG. 5 is a left side view thereof;

FIG. 6 is a right side view thereof;

FIG. 7 is a top view thereof;

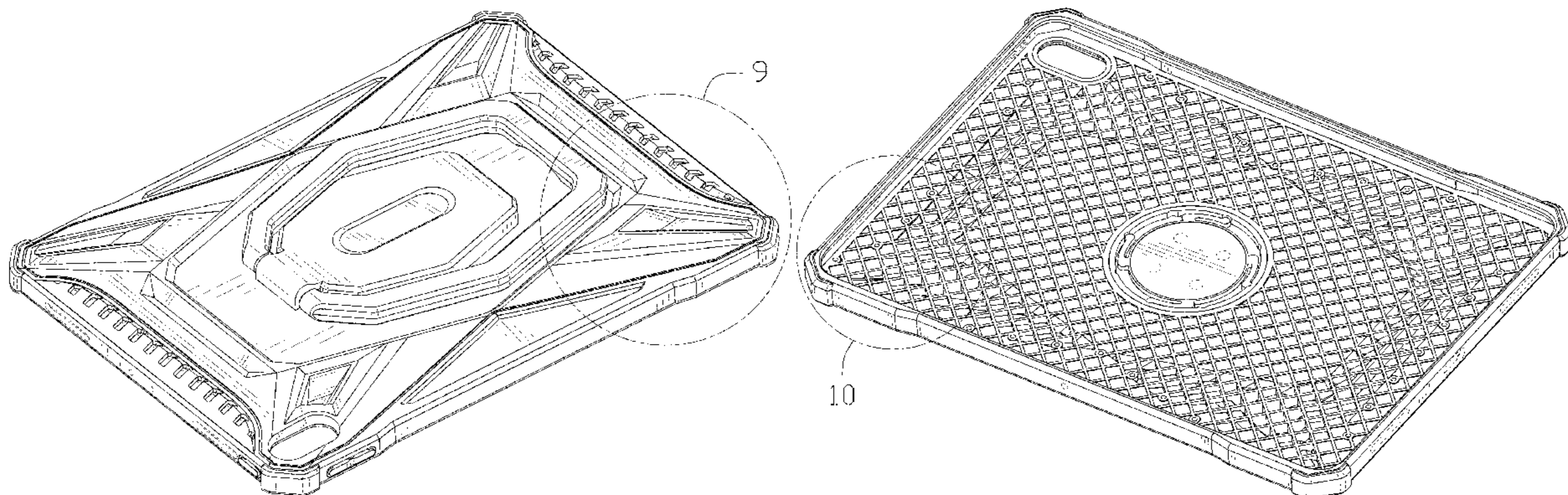
FIG. 8 is a bottom view thereof;

FIG. 9 is an enlarged view of the selected portion in FIG. 1; and,

FIG. 10 is an enlarged view of the selected portion in FIG. 2.

The broken lines depict portions of the tablet case in which the design is embodied that form no part of the claim. The broken lines encircling the portions of the case in FIGS. 1, 2, 9 and 10 depict markers of where enlarged FIGS. 9 and 10 were taken.

**1 Claim, 10 Drawing Sheets**



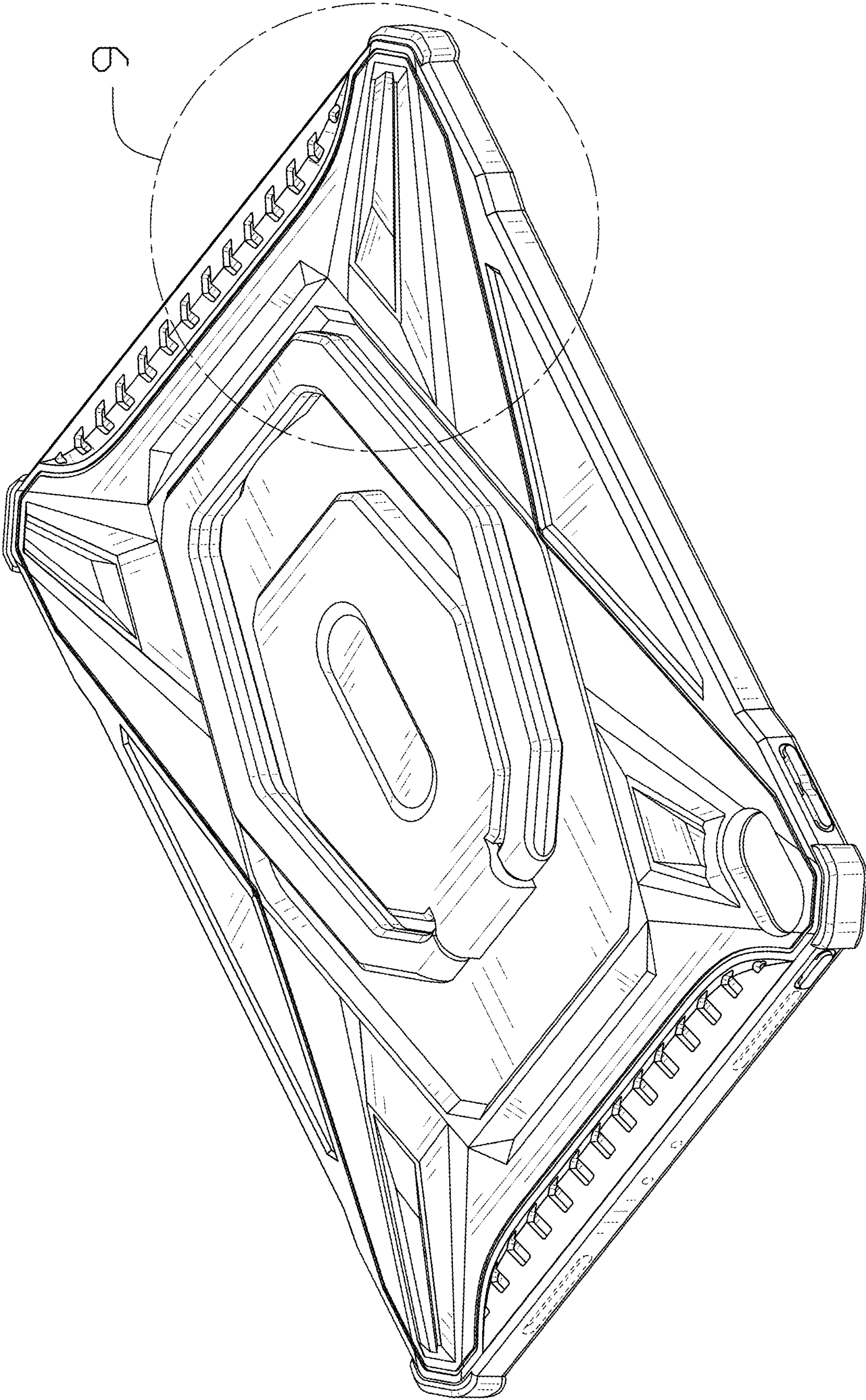


FIG. 1

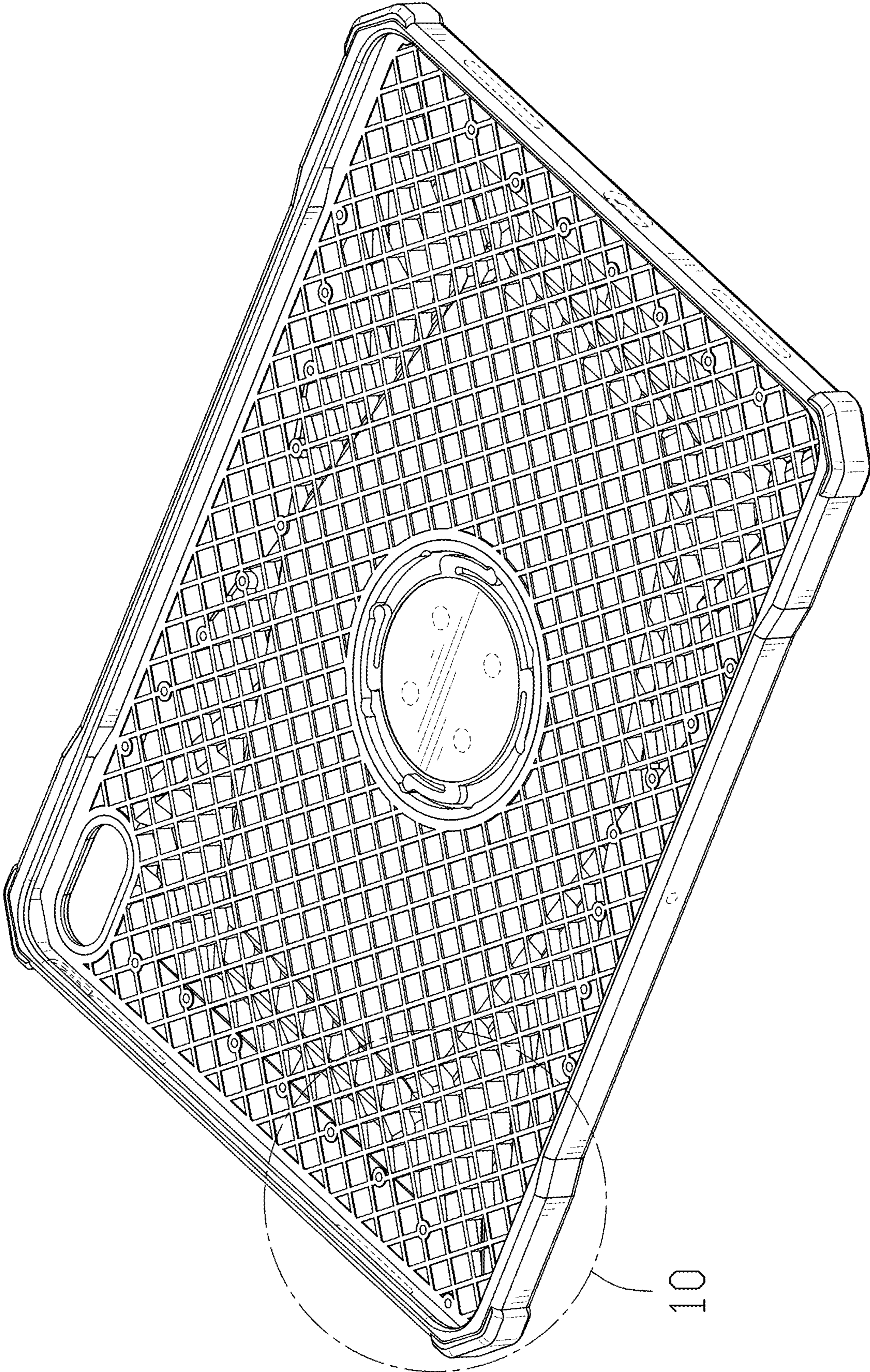


FIG. 2

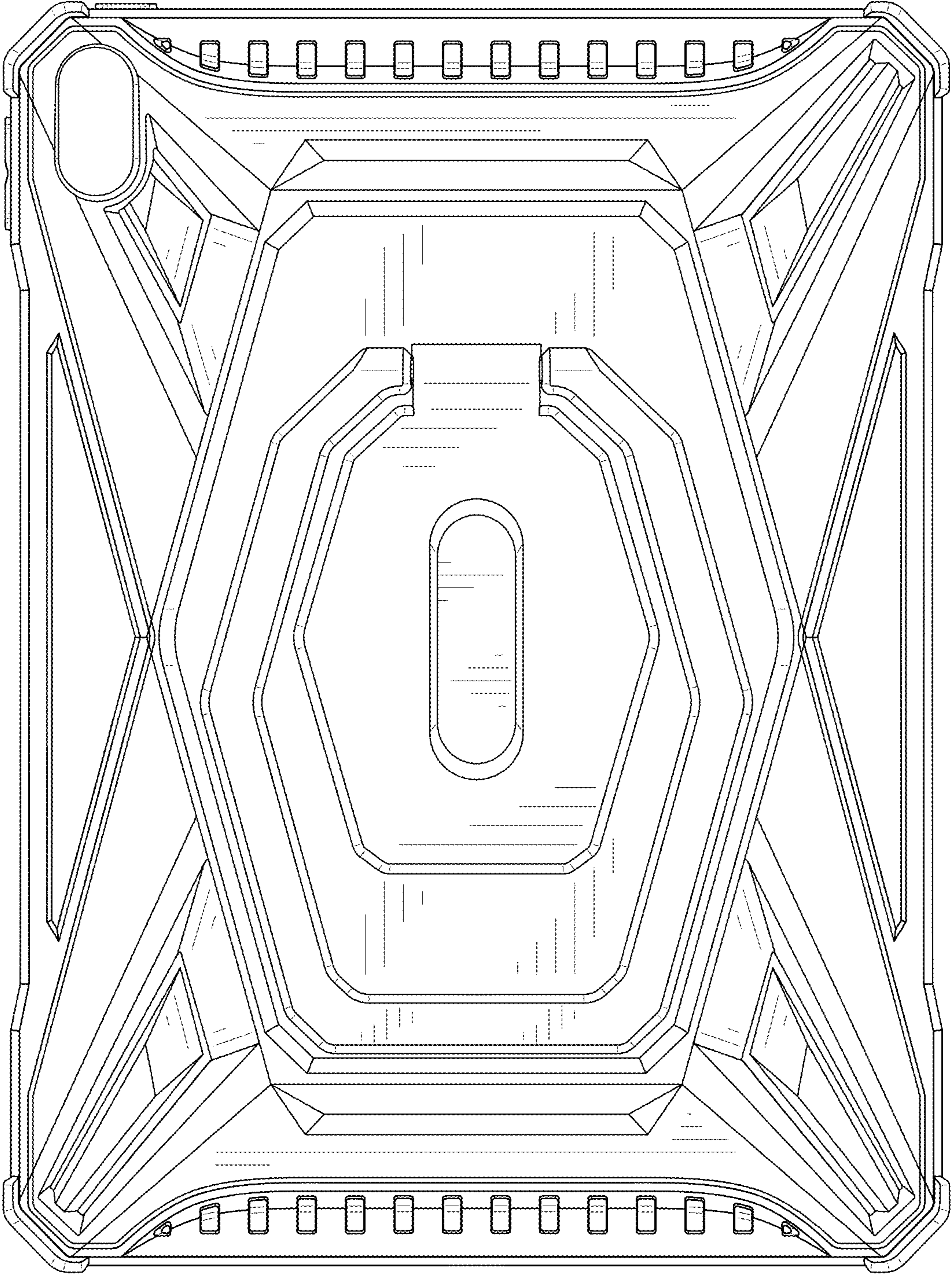


FIG. 3

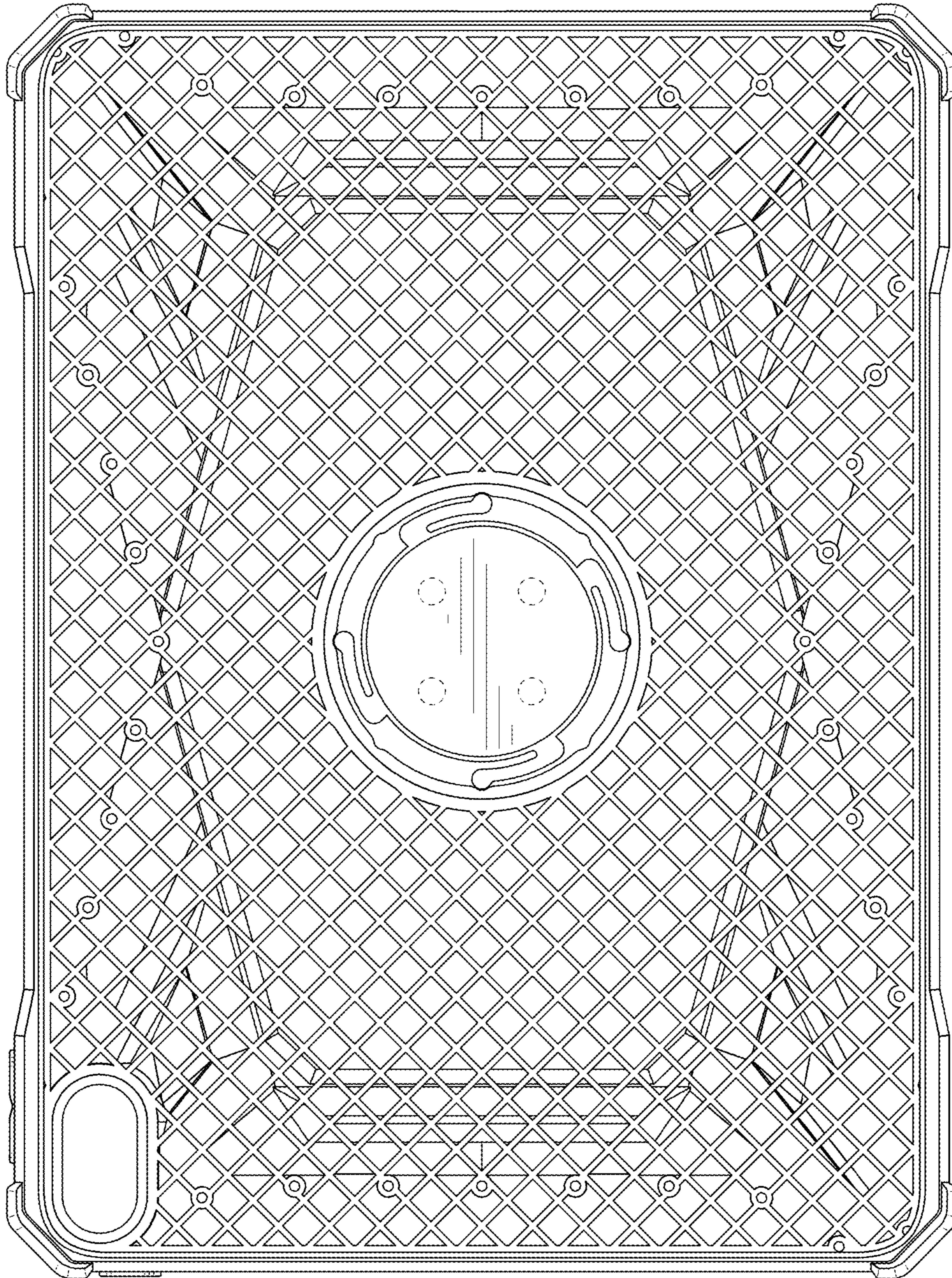


FIG. 4

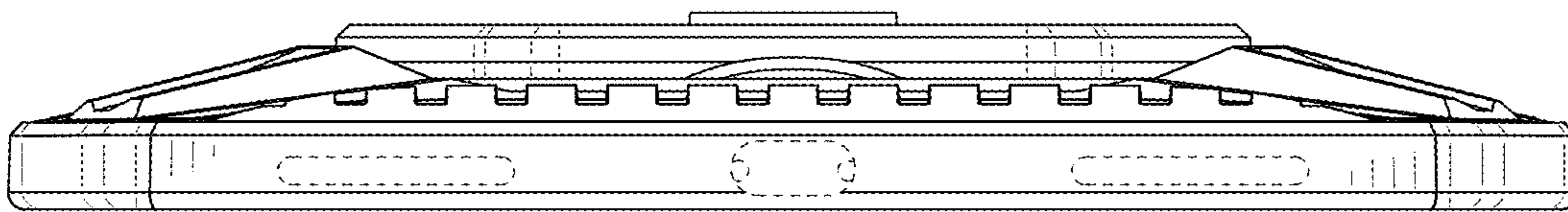


FIG. 5

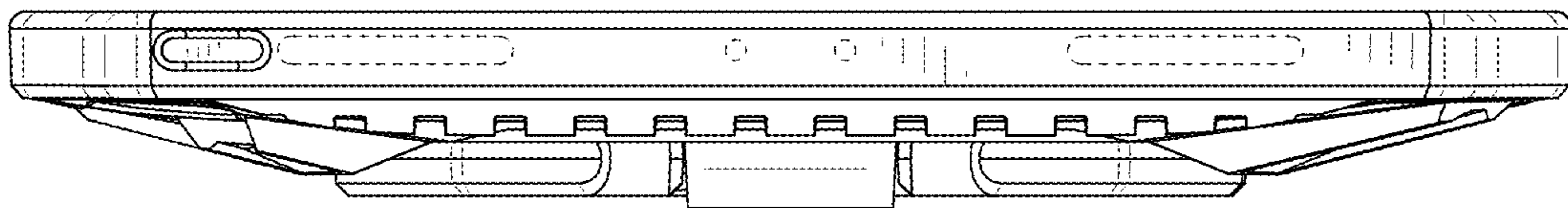


FIG. 6

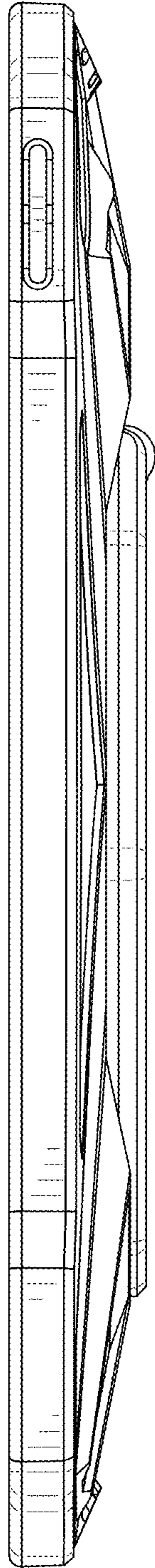


FIG. 7



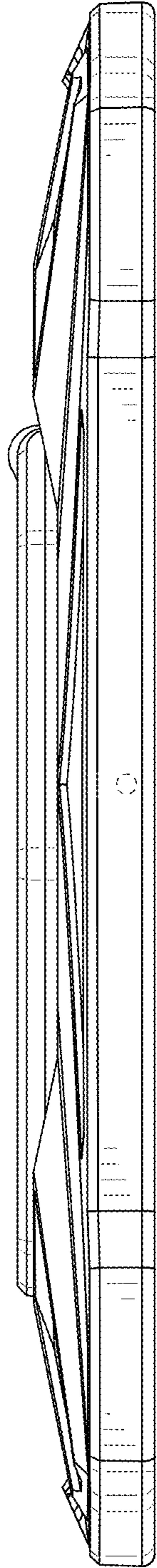


FIG. 8

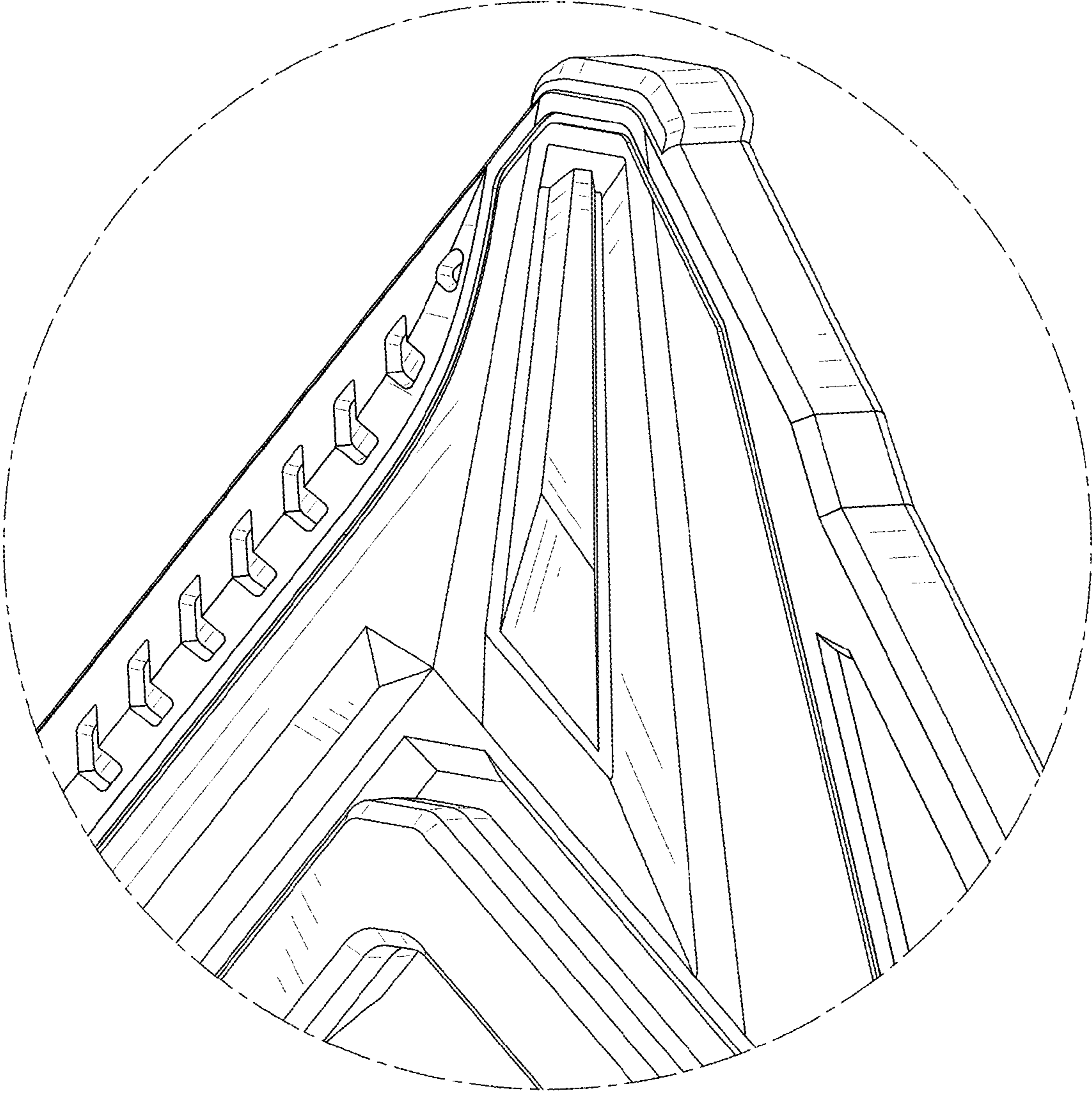


FIG. 9

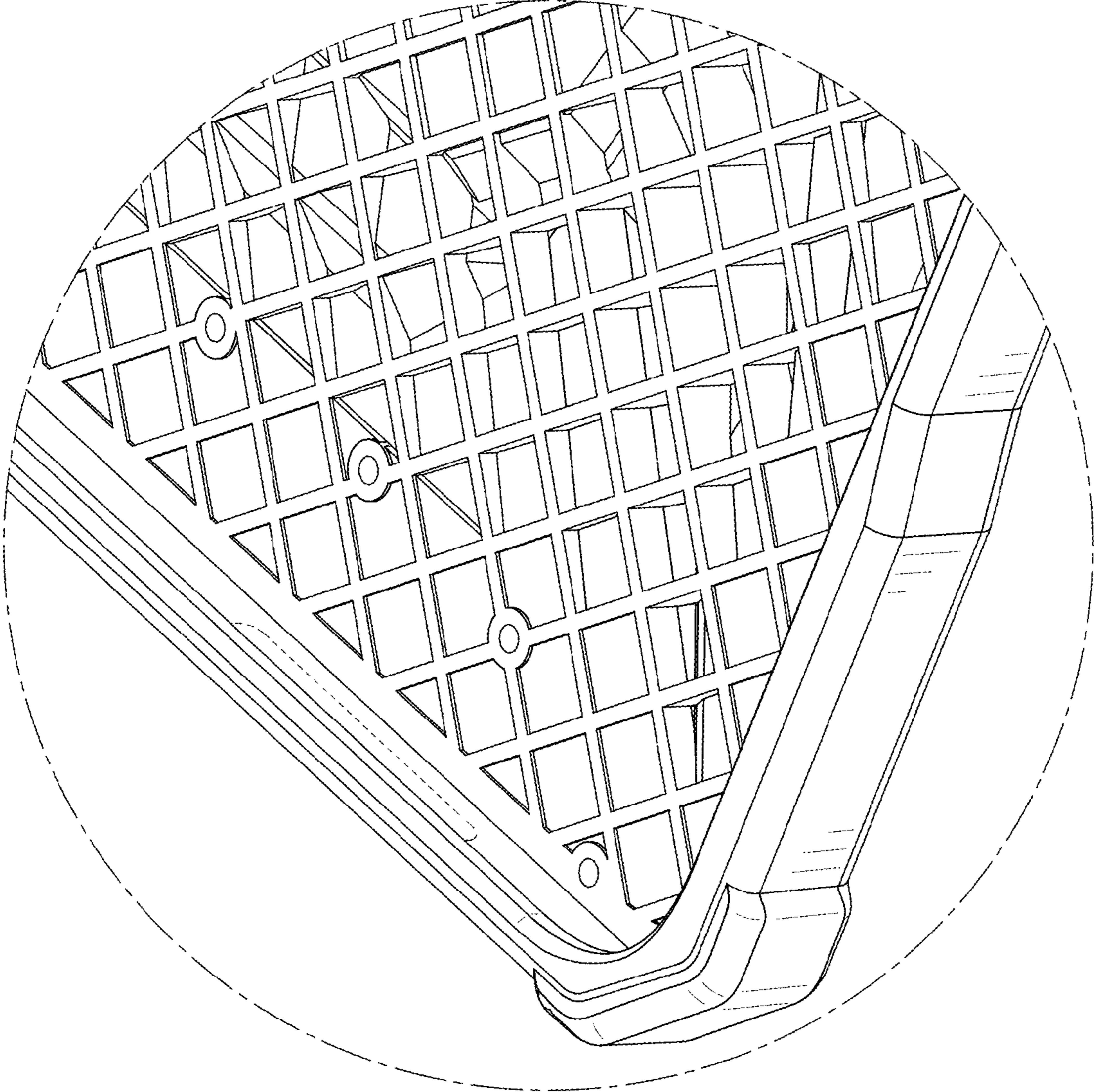


FIG. 10