



US00D892803S

(12) **United States Design Patent** (10) **Patent No.:** **US D892,803 S**
Armstrong et al. (45) **Date of Patent:** **** Aug. 11, 2020**

(54) **CASE FOR A COMPUTING DEVICE**

(71) Applicant: **URBAN ARMOR GEAR, LLC**,
Laguna Niguel, CA (US)

(72) Inventors: **Steven Armstrong**, Laguna Niguel, CA
(US); **Jay Veltz**, Laguna Niguel, CA
(US); **Bryan Soriano**, Pamoona, CA
(US)

(73) Assignee: **Urban Armor Gear, LLC**, Laguna
Niguel, CA (US)

(**) Term: **15 Years**

(21) Appl. No.: **29/679,067**

(22) Filed: **Feb. 1, 2019**

(51) **LOC (12) Cl.** **14-02**

(52) **U.S. Cl.**
USPC **D14/440**

(58) **Field of Classification Search**
USPC D14/440, 447, 250, 316, 455; 206/45.23,
206/320, 45.2; 361/679.55; 294/25;
224/218

(Continued)

(56) **References Cited**

U.S. PATENT DOCUMENTS

D597,052 S * 7/2009 Kim D14/138 AB
D634,314 S * 3/2011 Fahrendorff D14/250
(Continued)

FOREIGN PATENT DOCUMENTS

CN 305506721 S 12/2019

OTHER PUBLICATIONS

“Notice of Decision to Grant Received for Chinese application No.
2019305801813 dated Feb. 28, 2020”.

(Continued)

Primary Examiner — Cynthia R Underwood
(74) *Attorney, Agent, or Firm* — K&L Gates LLP; Brian
Novak

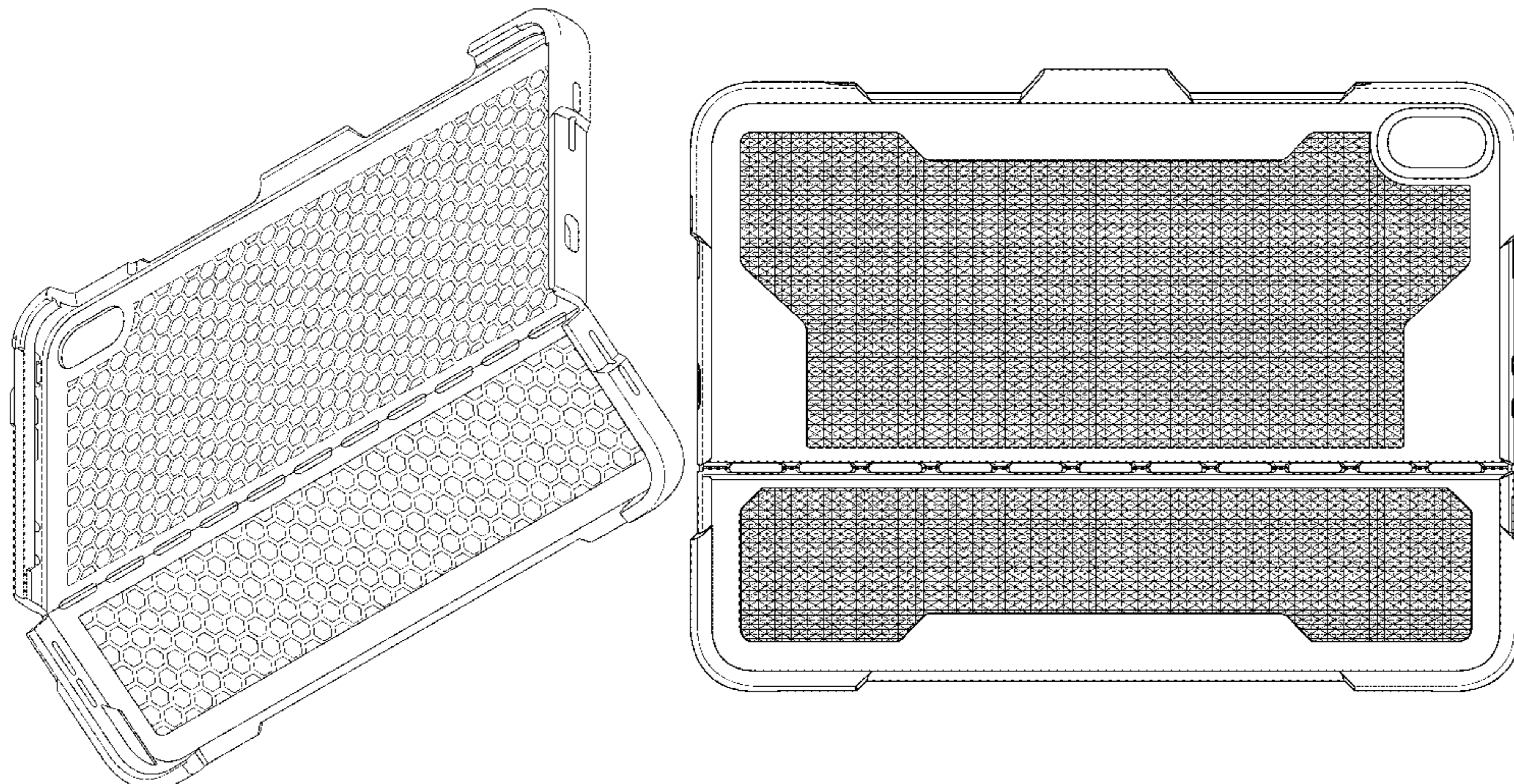
(57) **CLAIM**

We claim the ornamental design for a case for a computing
device, as shown and described.

DESCRIPTION

FIG. 1 is a front perspective view of the case for a computing
device shown in a folded position of use;
FIG. 2 is another front perspective view of the case for a
computing device as shown in FIG. 1;
FIG. 3 is a front plan view of the case for a computing device
as shown in FIG. 1;
FIG. 4 is a back plan view of the case for a computing device
as shown in FIG. 1;
FIG. 5 is a top plan view of the case for a computing device
as shown in FIG. 1;
FIG. 6 is a bottom plan view of the case for a computing
device as shown in FIG. 1;
FIG. 7 is another back plan view of the case for a computing
device as shown in FIG. 1;
FIG. 8 is another front plan view of the case for a computing
device as shown in FIG. 1.
FIG. 9 is a back perspective view of the case for a computing
device as shown in FIG. 1 in an unfolded position of use;
FIG. 10 another front perspective view of the case for a
computing device as shown in FIG. 9;
FIG. 11 is a front plan view of the case for a computing
device as shown in FIG. 9;
FIG. 12 is a back plan view of the case for a computing
device as shown in FIG. 9;
FIG. 13 is a top view of the case for a computing device as
shown in FIG. 9;
FIG. 14 is a bottom view of the case for a computing device
as shown in FIG. 9;
FIG. 15 is a right side view of the case for a computing
device as shown in FIG. 9; and,
FIG. 16 is a left side view of the case for a computing device
as shown in FIG. 9.

1 Claim, 12 Drawing Sheets



US D892,803 S

Page 2

(58) **Field of Classification Search**

CPC G06F 1/1628; G06F 1/1626; G06F 1/1669;
A47B 23/044; H04B 1/3888

See application file for complete search history.

(56) **References Cited**

U.S. PATENT DOCUMENTS

D649,144 S * 11/2011 Fathollahi D14/250
D685,358 S * 7/2013 Armstrong D14/250
D685,786 S * 7/2013 Seoc D14/353
D690,292 S * 9/2013 Bibla D14/250
D715,785 S * 10/2014 Jacob D14/250
D719,144 S * 12/2014 Eulette D14/250
D721,686 S * 1/2015 Jacob D14/250
D733,154 S * 6/2015 Armstrong D14/440
D733,696 S * 7/2015 Burgett D14/250
D742,869 S * 11/2015 Odhwani D14/250
D752,593 S * 3/2016 Diebel G06F 1/1679
D14/440
D768,123 S * 10/2016 Armstrong D14/250
D770,458 S * 11/2016 Corcoran D14/440
D772,288 S * 11/2016 Montes D14/488
D775,198 S * 12/2016 Montes D14/489
D794,626 S * 8/2017 Armstrong D14/250
D801,976 S * 11/2017 Li D14/440
D806,082 S * 12/2017 Armstrong D14/440
D807,892 S * 1/2018 Wang D14/440
D825,571 S * 8/2018 Shannon, III D14/440
D832,269 S * 10/2018 Cheng D14/440
D832,270 S * 10/2018 Cheng D14/440
D832,271 S * 10/2018 Cheng D14/440
10,148,307 B2 * 12/2018 Shannon, III H04B 1/3888
D843,377 S * 3/2019 Tang D14/440
D844,621 S * 4/2019 Chen D14/440
D845,305 S * 4/2019 Xu D14/440
D846,552 S * 4/2019 Feng D14/440
D846,553 S * 4/2019 Feng D14/440
D850,456 S * 6/2019 Armstrong D14/440
D851,648 S * 6/2019 Tan D14/440
D852,203 S * 6/2019 Rui D14/447
2008/0029412 A1 * 2/2008 Ho A47B 21/0314
206/320
2008/0167095 A1 * 7/2008 Kim H04M 1/0216
455/575.3
2009/0159763 A1 * 6/2009 Kim F16M 13/00
248/174

2009/0194209 A1 * 8/2009 De Filippis A45C 11/00
150/107
2011/0266194 A1 * 11/2011 Bau A45C 11/00
206/736
2011/0297566 A1 * 12/2011 Gallagher F16M 11/105
206/320
2012/0268891 A1 * 10/2012 Cencioni G06F 1/1626
361/679.55
2013/0088431 A1 * 4/2013 Ballagas G06F 1/1626
345/168
2013/0223005 A1 * 8/2013 Smith G06F 1/1628
361/679.55
2013/0233762 A1 * 9/2013 Balaji B65D 25/00
206/736
2013/0241381 A1 * 9/2013 Hyncek H05K 5/0217
312/240
2014/0246340 A1 * 9/2014 Jiang A45C 11/00
206/45.23
2015/0065208 A1 * 3/2015 Balaji H04M 1/04
455/575.8
2015/0151887 A1 * 6/2015 Huang A45C 11/00
224/191
2015/0237979 A1 * 8/2015 Huang A45C 11/00
206/45.25
2015/0263776 A1 * 9/2015 Shyu A45C 13/002
455/575.8
2015/0266610 A1 * 9/2015 Melmon B65D 5/5206
206/45.23
2015/0280768 A1 * 10/2015 Huang H04B 1/3888
455/575.8
2015/0296060 A1 * 10/2015 Gu H04M 1/0235
455/575.4
2019/0142992 A1 * 5/2019 Davidson C08G 18/10
424/445
2019/0144163 A1 * 5/2019 Lim B65D 19/0028
108/53.5
2019/0149808 A1 * 5/2019 Ng H04N 13/305
348/59
2019/0275714 A1 * 9/2019 Kanoh B29C 45/14065

OTHER PUBLICATIONS

“Notice of Decision to Grant Received for Chinese Patent Application No. 201930380386.7, dated Nov. 21, 2019, 2 Pages.”

* cited by examiner

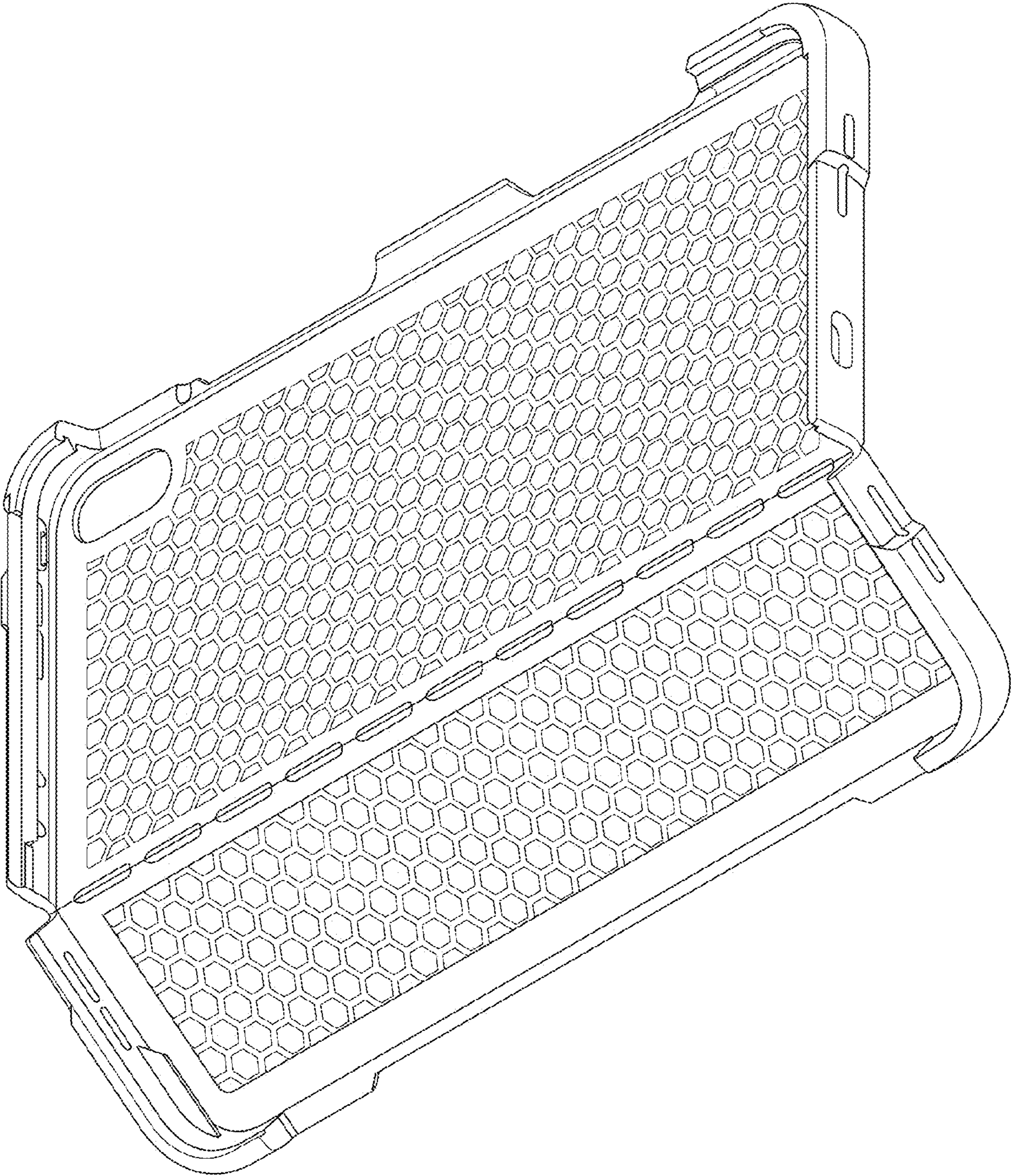


FIG. 1

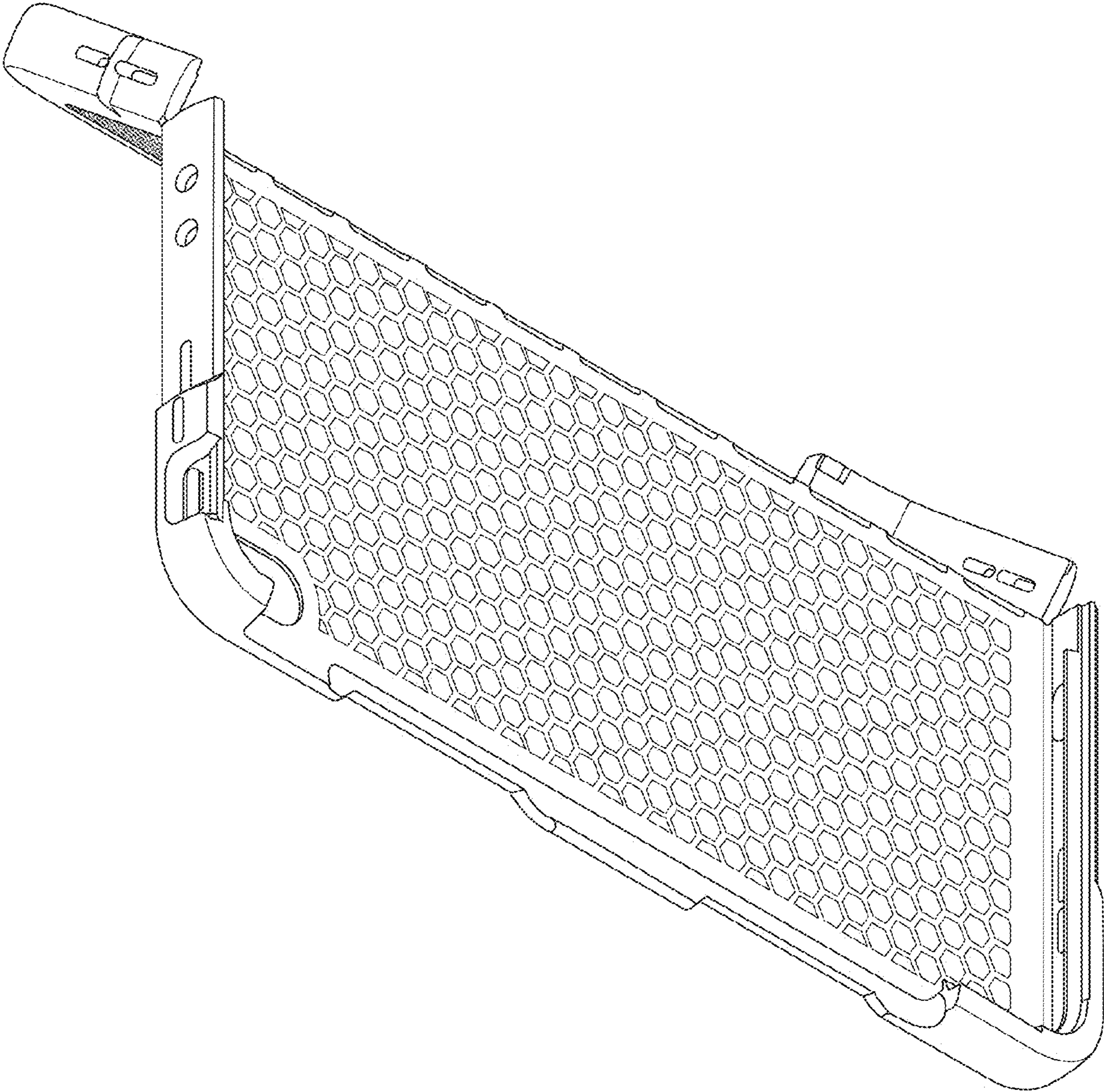


FIG. 2

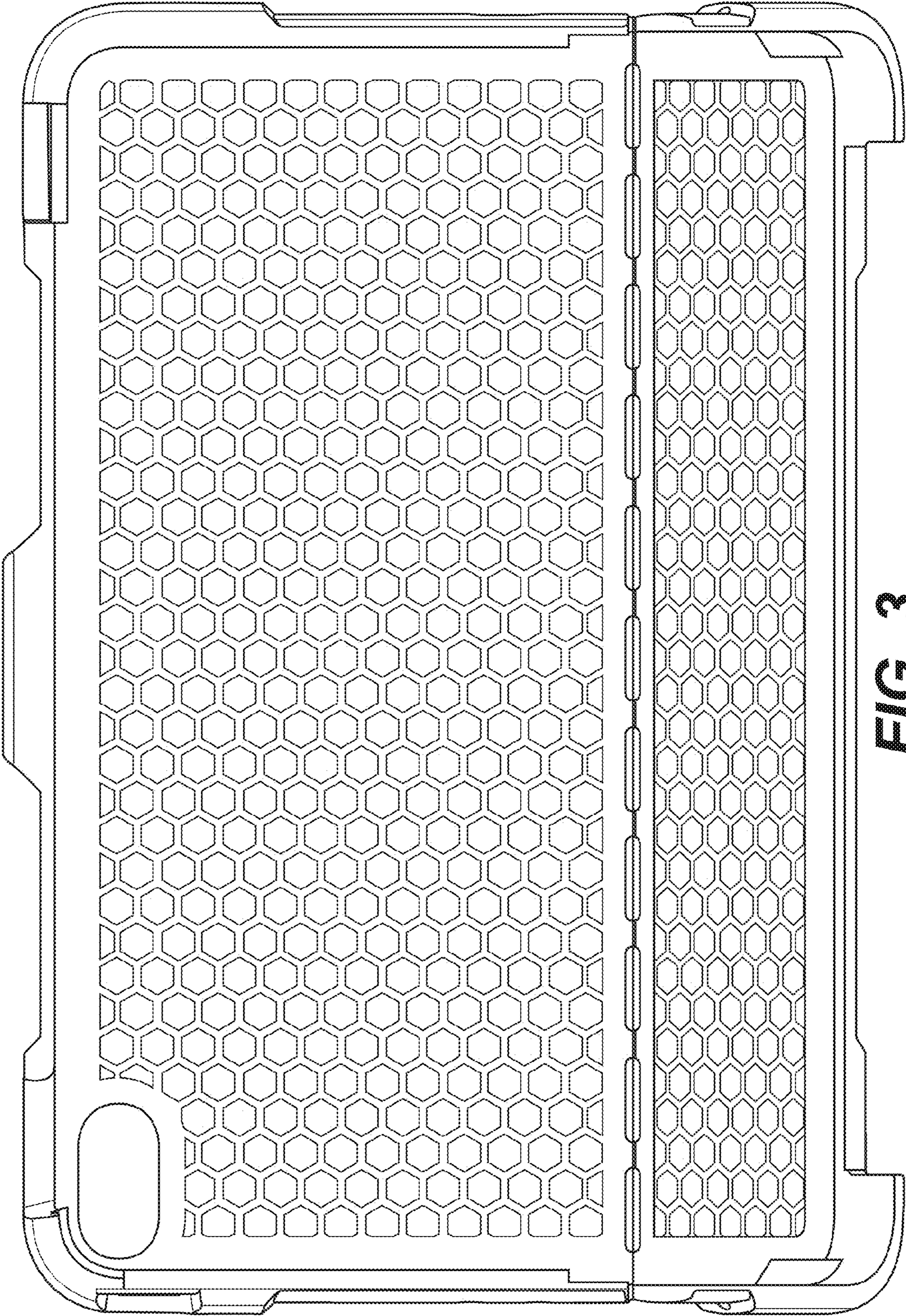


FIG. 3

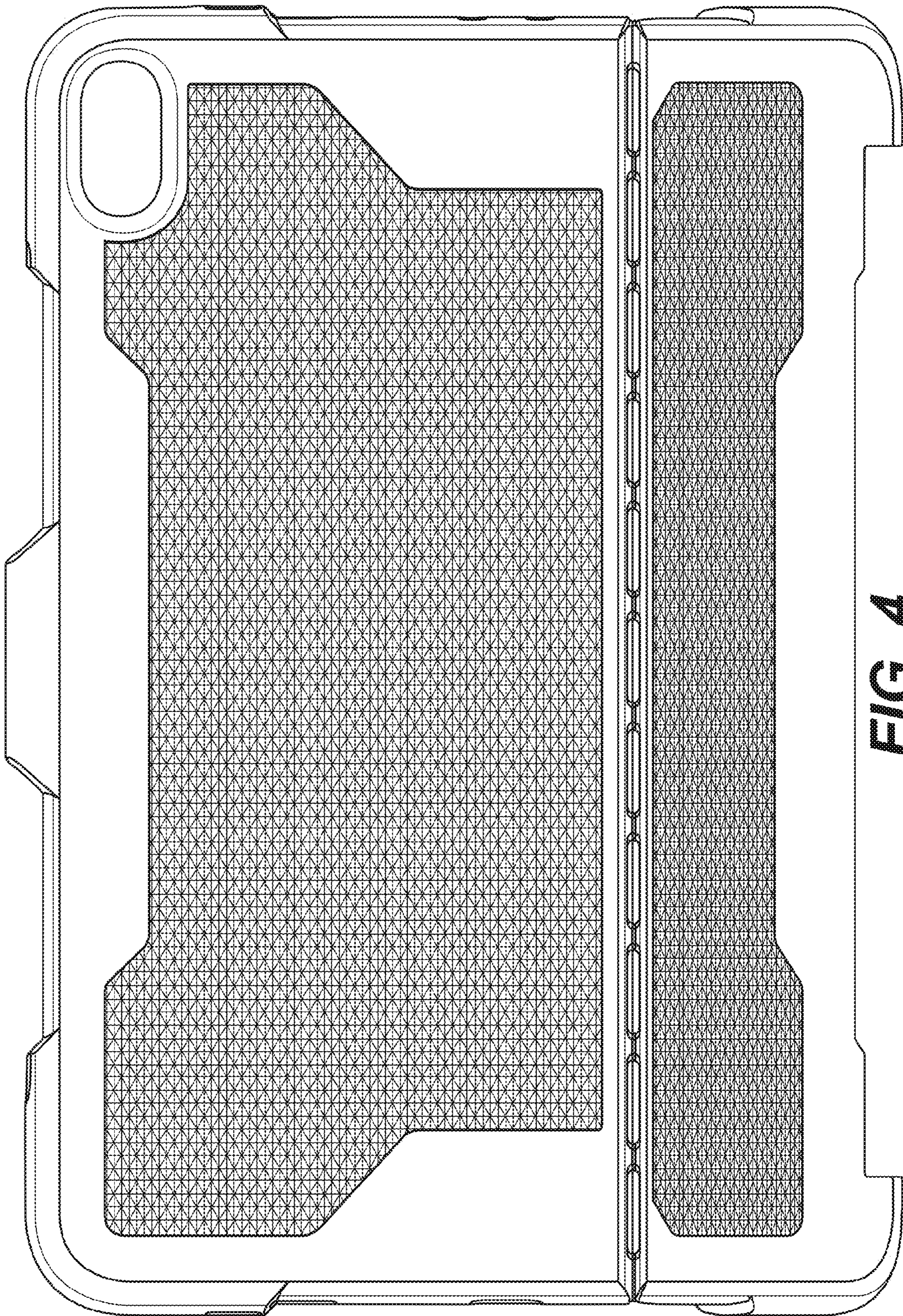


FIG. 4

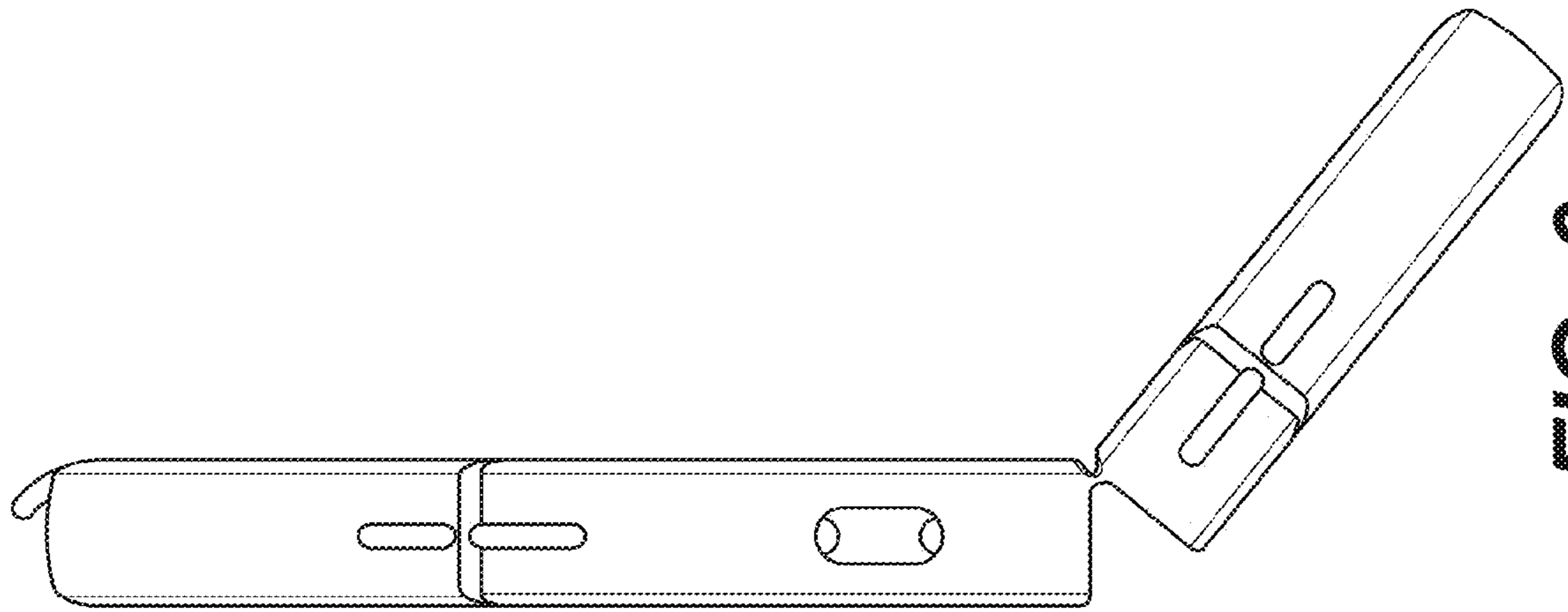


FIG. 6

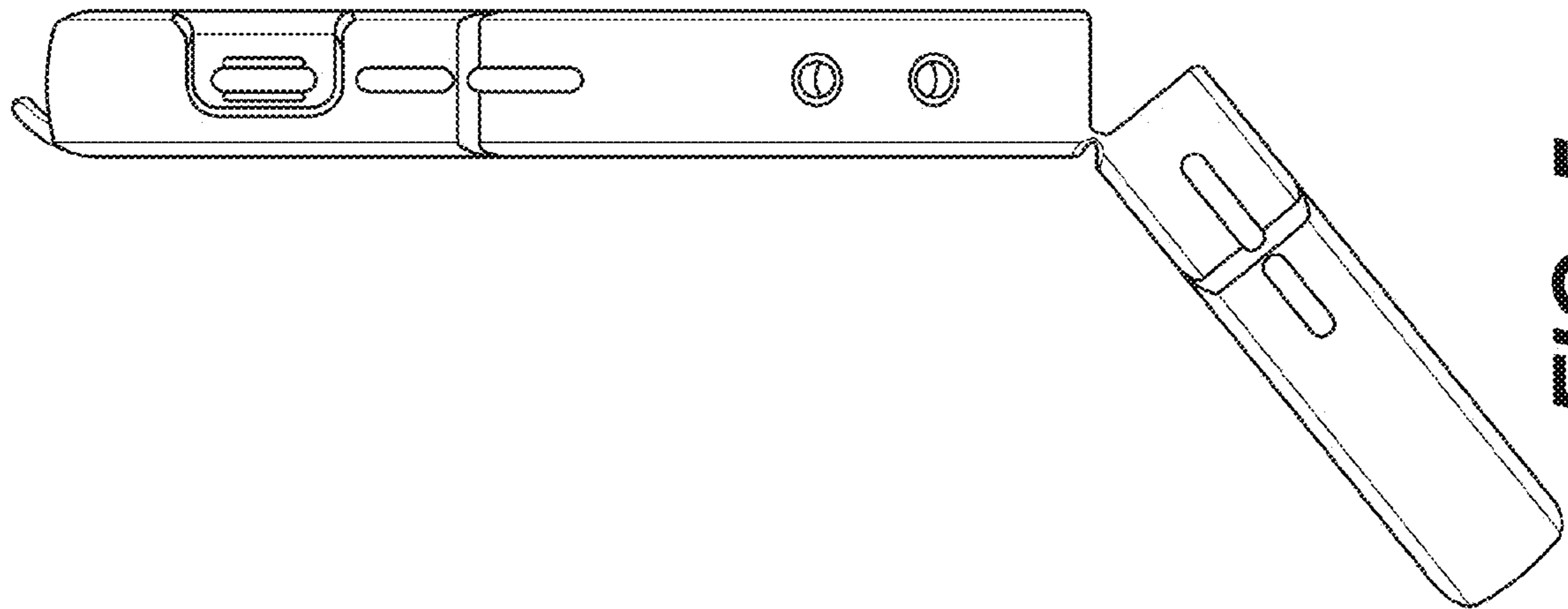


FIG. 5

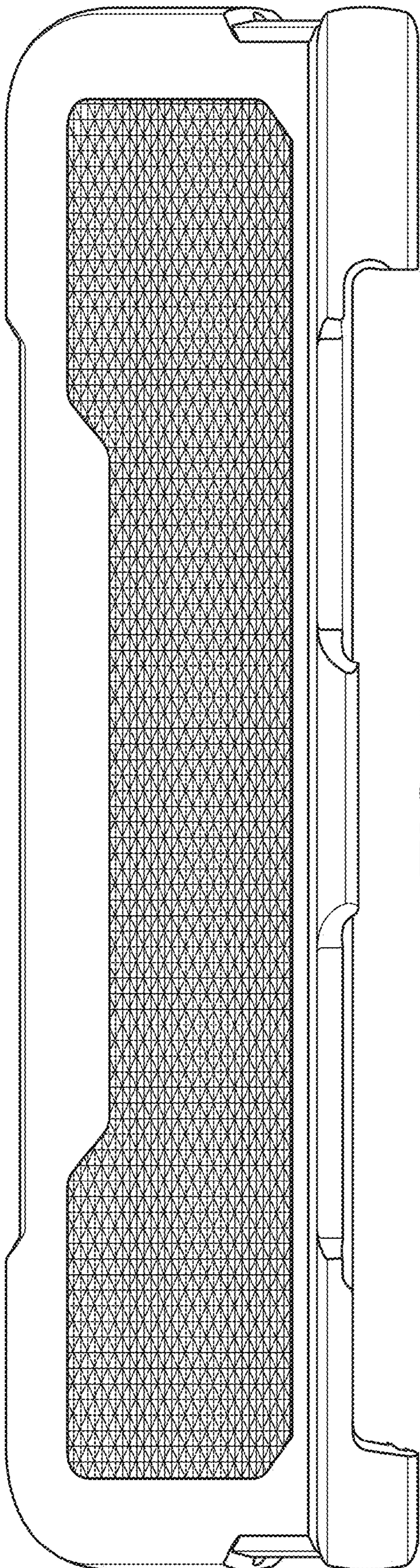


FIG. 7

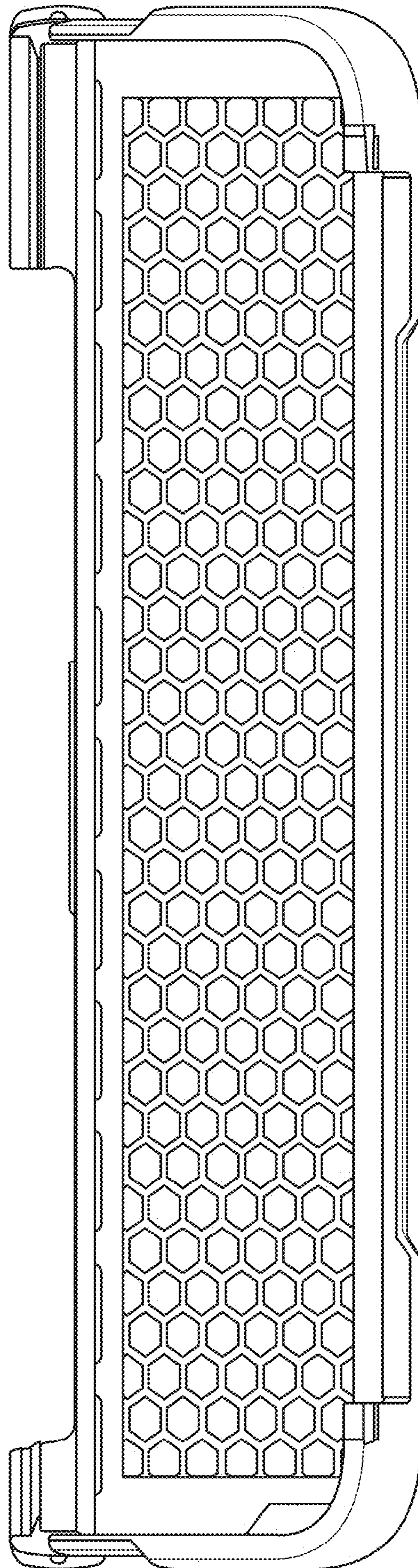


FIG. 8

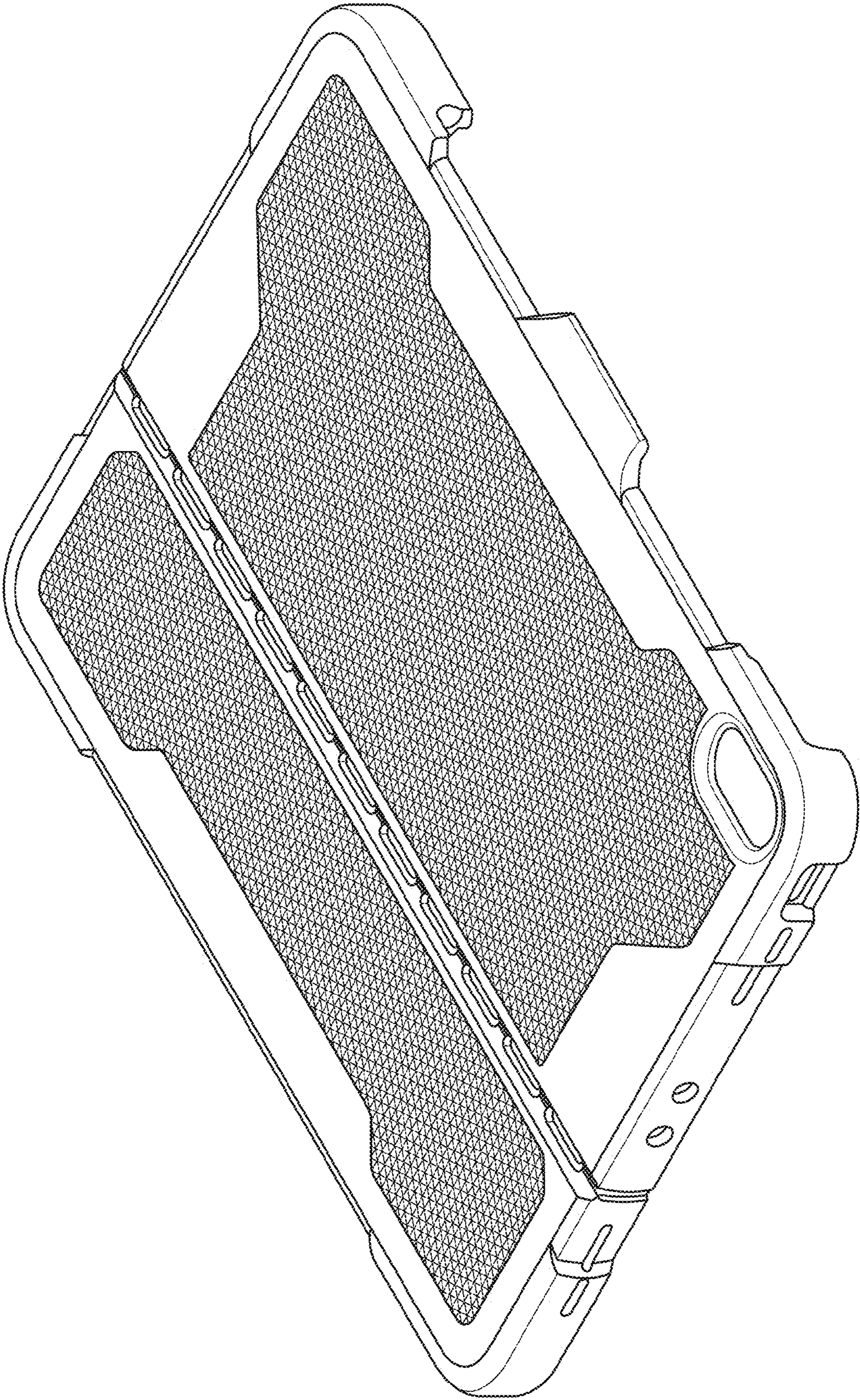


FIG. 9



FIG. 10

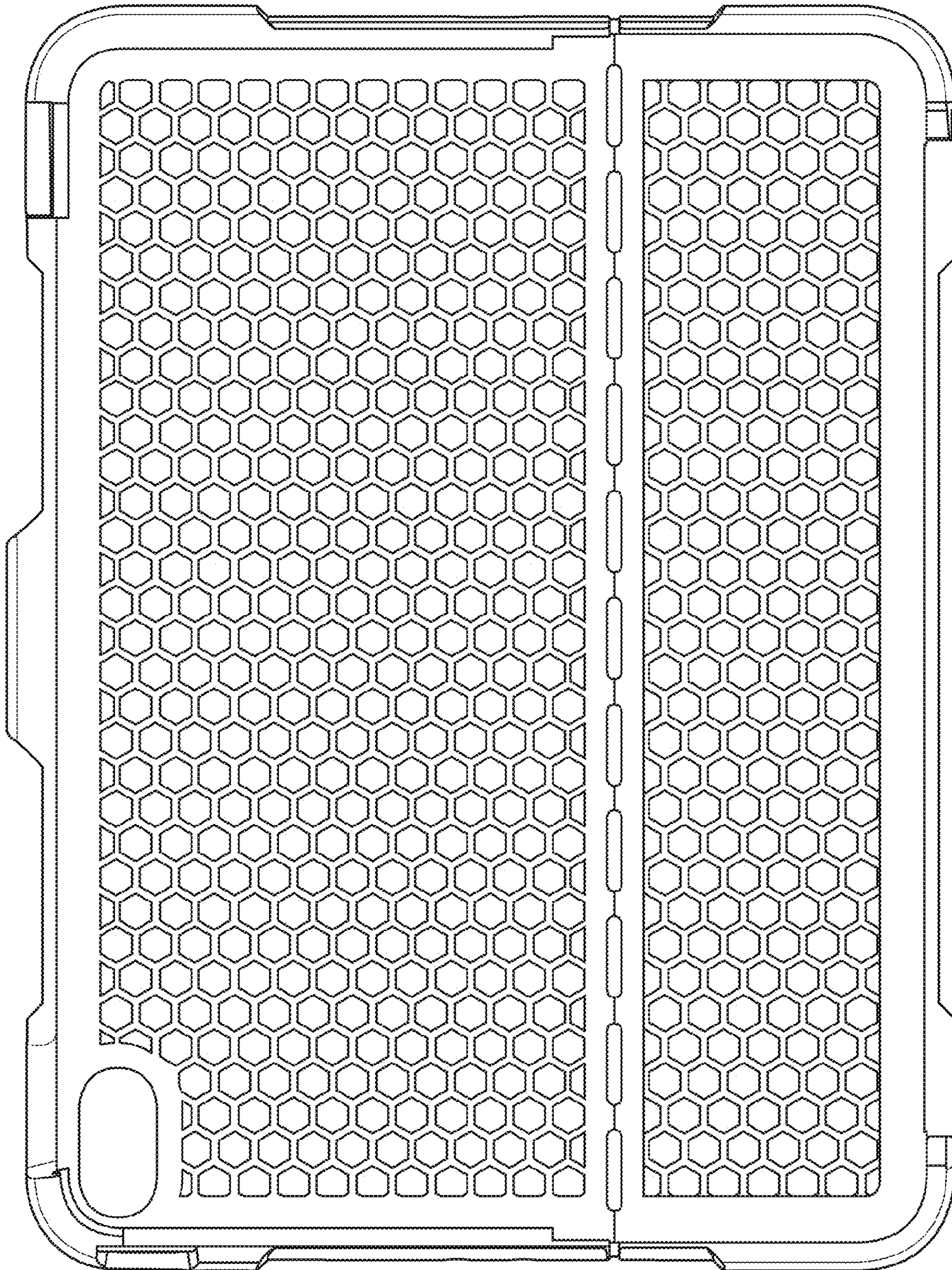


FIG. 11

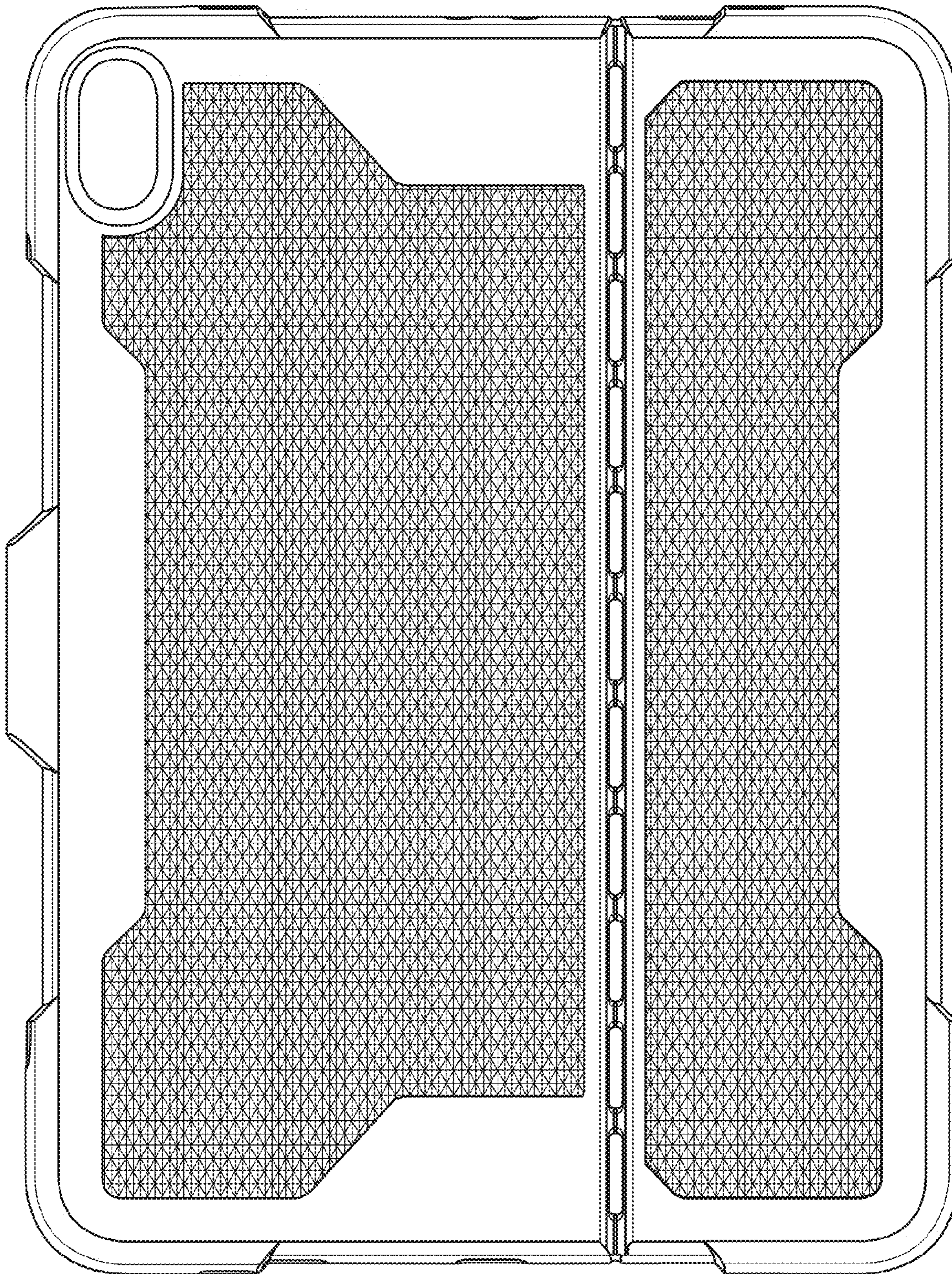


FIG. 12

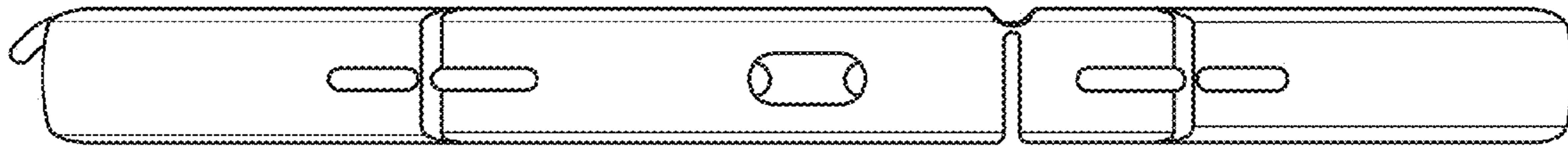


FIG. 14

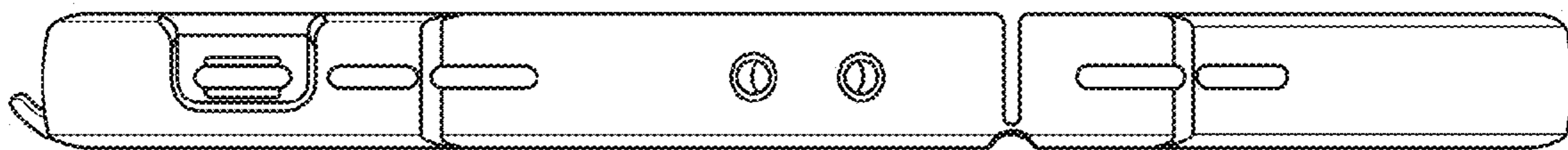


FIG. 13

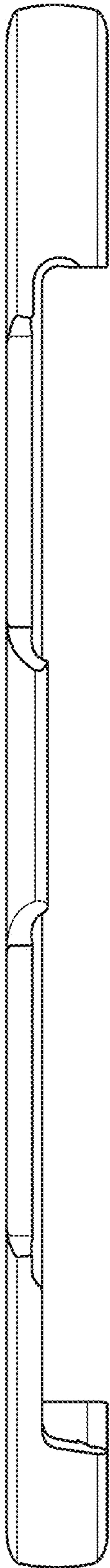


FIG. 15

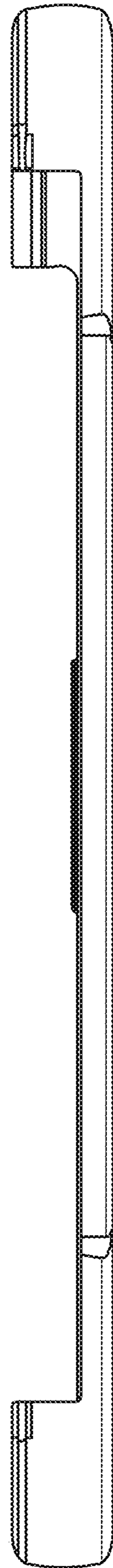


FIG. 16