



US00D892802S

(12) **United States Design Patent**
Jones et al.

(10) **Patent No.:** **US D892,802 S**
(45) **Date of Patent:** **** Aug. 11, 2020**

(54) **ELECTRONIC DISPLAY APPARATUS WITH A MOUNT AND FLEXIBLE DISPLAY**

(71) Applicant: **Maria Francisca Jones**, Middlesex (GB)

(72) Inventors: **Maria Francisca Jones**, Middlesex (GB); **Alexander Jones**, Middlesex (GB)

(**) Term: **15 Years**

(21) Appl. No.: **29/615,150**

(22) Filed: **Aug. 25, 2017**

(51) **LOC (12) Cl.** **14-02**

(52) **U.S. Cl.**
USPC **D14/440**

(58) **Field of Classification Search**
USPC D14/440, 250, 447; 206/45.23, 320, 206/45.2; 361/679.55; 294/25; 224/218
(Continued)

(56) **References Cited**

U.S. PATENT DOCUMENTS

2013/0341222 A1* 12/2013 Lin B65D 85/00
206/320
2017/0063423 A1* 3/2017 Perle H04B 1/3888

* cited by examiner

Primary Examiner — Cynthia R Underwood

(74) *Attorney, Agent, or Firm* — BakerHostetler; Mark H. Krietzman

(57) **CLAIM**

The ornamental design for electronic display apparatus with a mount and a flexible display, as shown and described.

DESCRIPTION

FIG. 1 is a front perspective view of an electronic display apparatus with a mount and a flexible display showing the flexible display separate from the mount and in a first flat configuration;

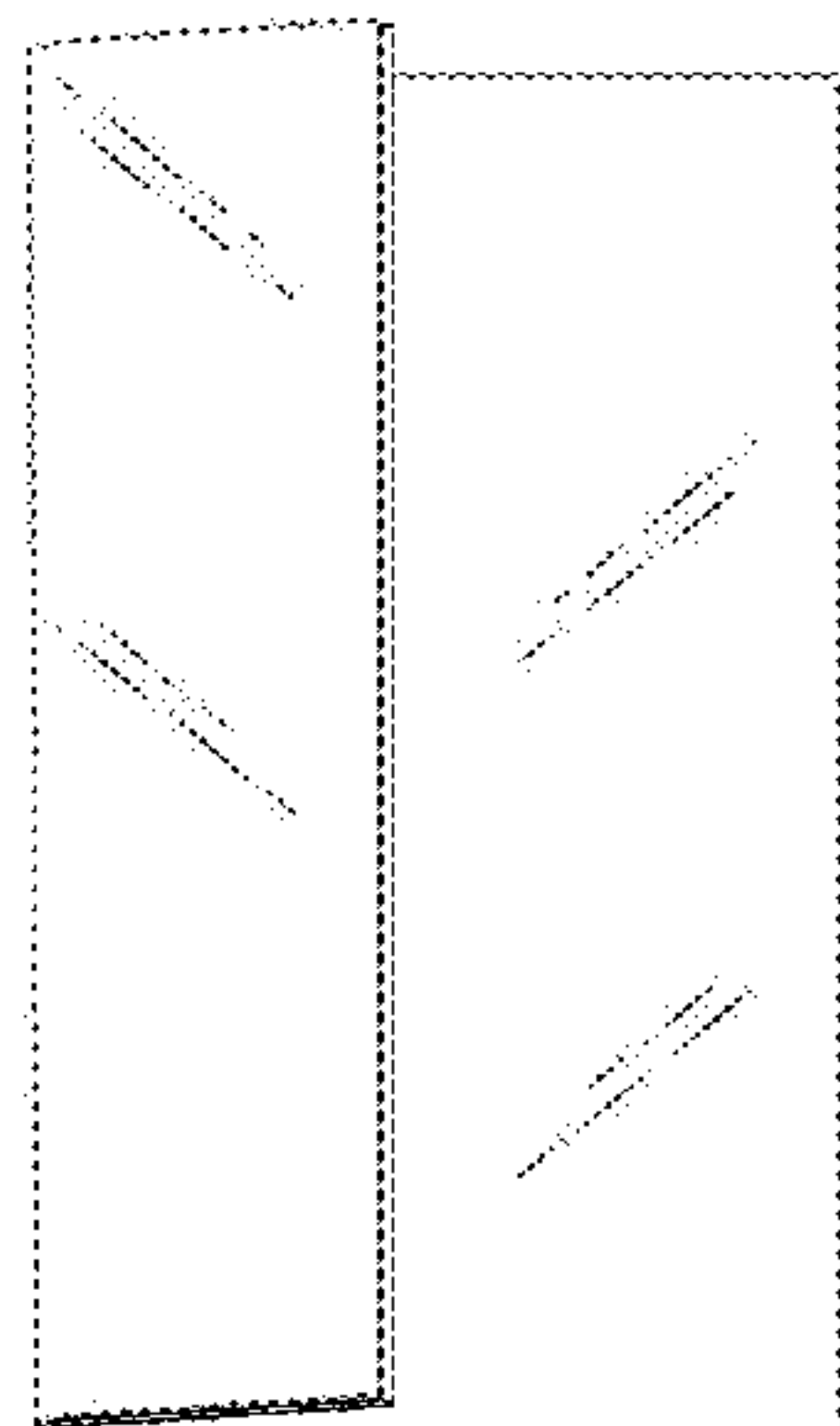


FIG. 2 is a front perspective view of the electronic display apparatus with a mount and a flexible display showing the flexible display separate from the mount and in a second folded configuration;

FIG. 3 is a front perspective view of the electronic display apparatus with a mount and a flexible display showing the flexible display separate to the mount and in a third folded configuration;

FIG. 4 is a front perspective view of the electronic display apparatus with a mount and a flexible display showing the flexible display separate to the mount and in a fourth folded configuration;

FIG. 5 is a front perspective view of the electronic display apparatus with a mount and a flexible display showing the flexible display separate to the mount and in a fifth folded configuration;

FIG. 6 is a top view of the electronic display apparatus with a mount and a flexible display in the first configuration, wherein a bottom view is the same as the top view;

FIG. 7 is a side view of the electronic display apparatus with a mount and a flexible display in the first configuration, wherein the view is the same from both sides;

FIG. 8 is a rear perspective view of the electronic display apparatus with a mount and a flexible display in the first configuration;

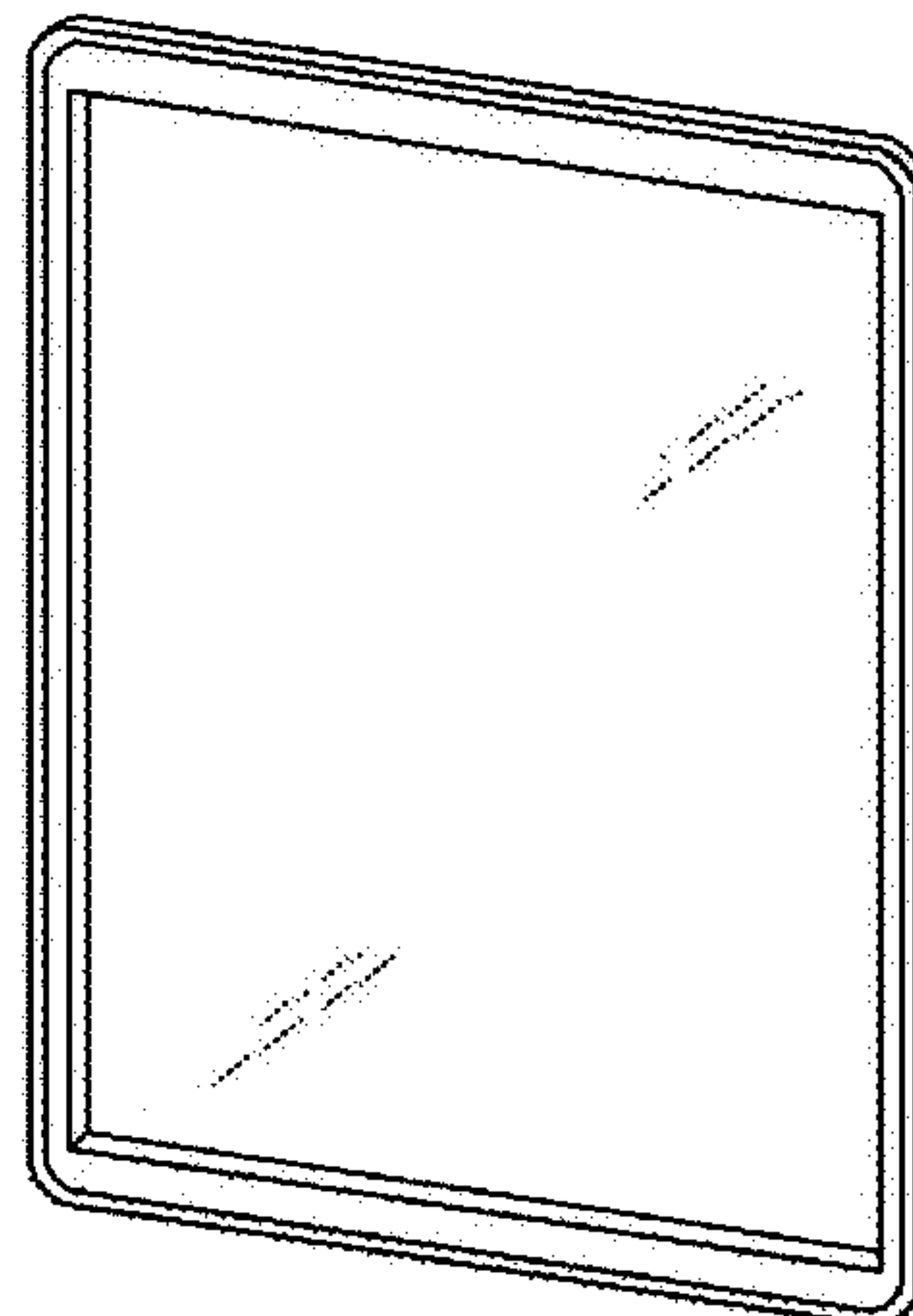
FIG. 9 is a front perspective view of an electronic display apparatus with a mount and a flexible display showing the flexible display mounted in the mount;

FIG. 10 is a top view of the electronic display apparatus with a mount and a flexible display showing the flexible display mounted in the mount, wherein a bottom view is the same as the top view;

FIG. 11 is a side view of the electronic display apparatus with a mount and a flexible display showing the display mounted in the mount, wherein the view is the same from both sides; and,

FIG. 12 is a rear perspective view of the electronic display apparatus with a mount and a flexible display showing the single flexible display mounted in the mount.

1 Claim, 10 Drawing Sheets



(58) **Field of Classification Search**

CPC ... G06F 1/1628; G06F 1/1626; A47B 23/044;
H04B 1/3888

See application file for complete search history.

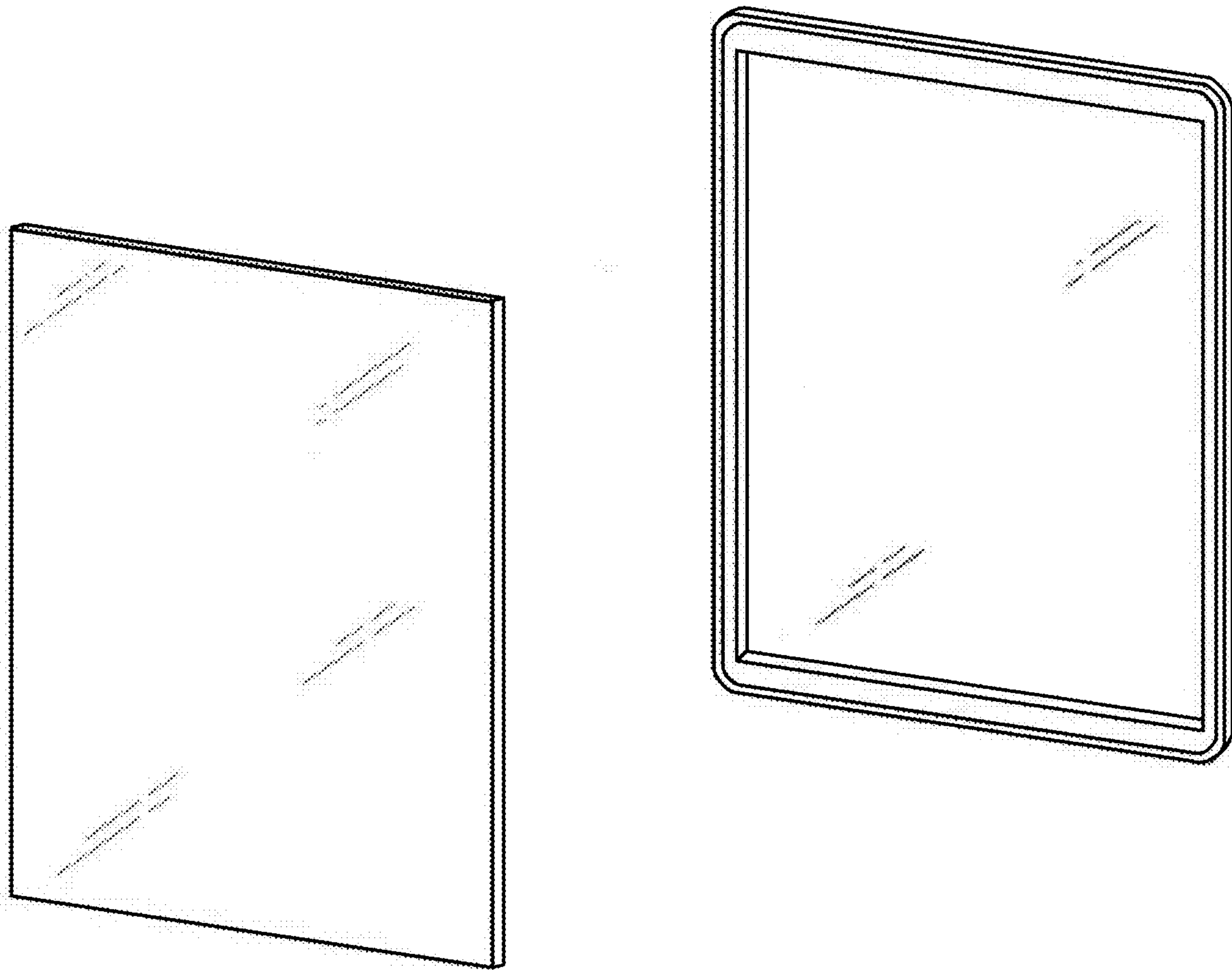


FIG 1

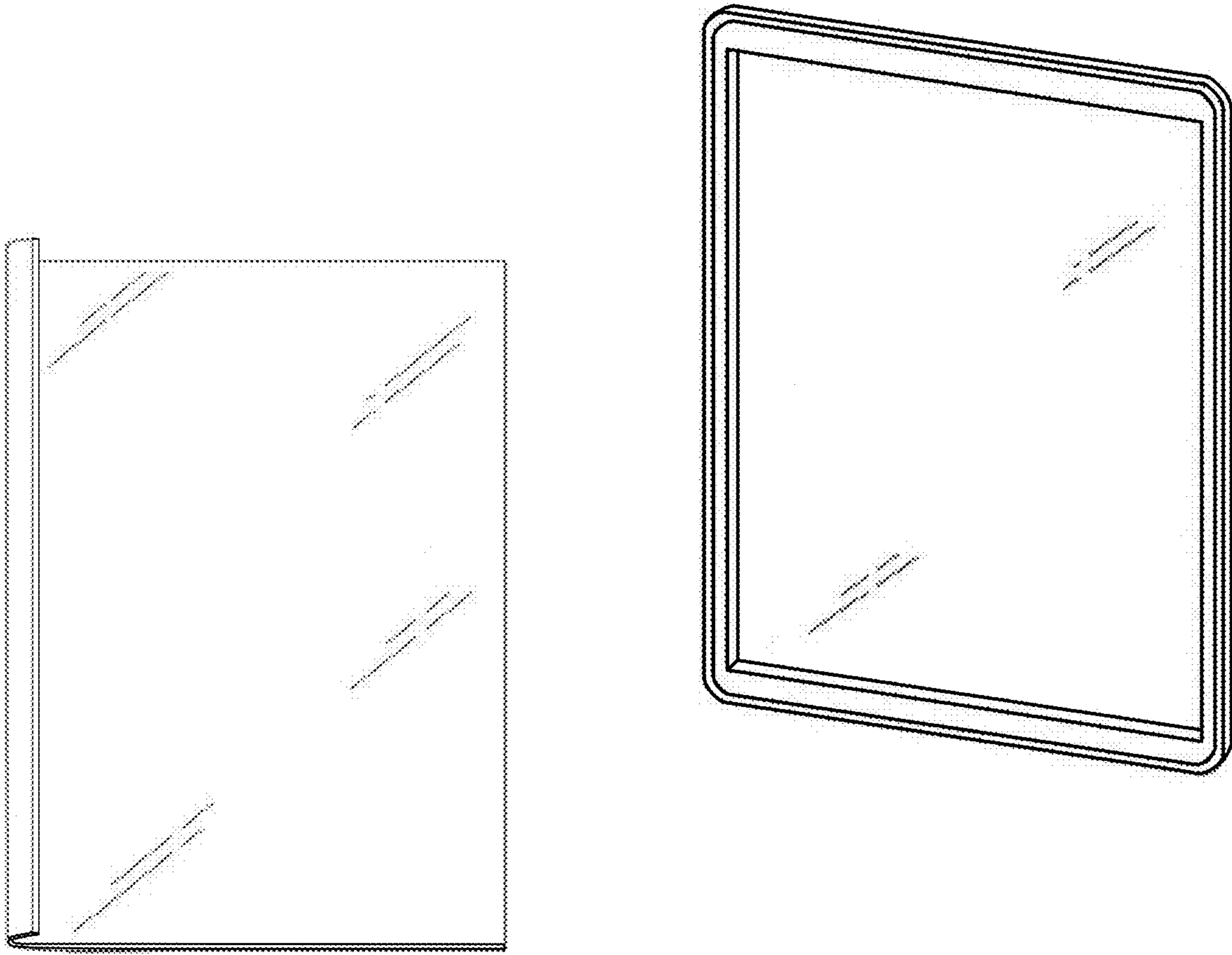


FIG 2

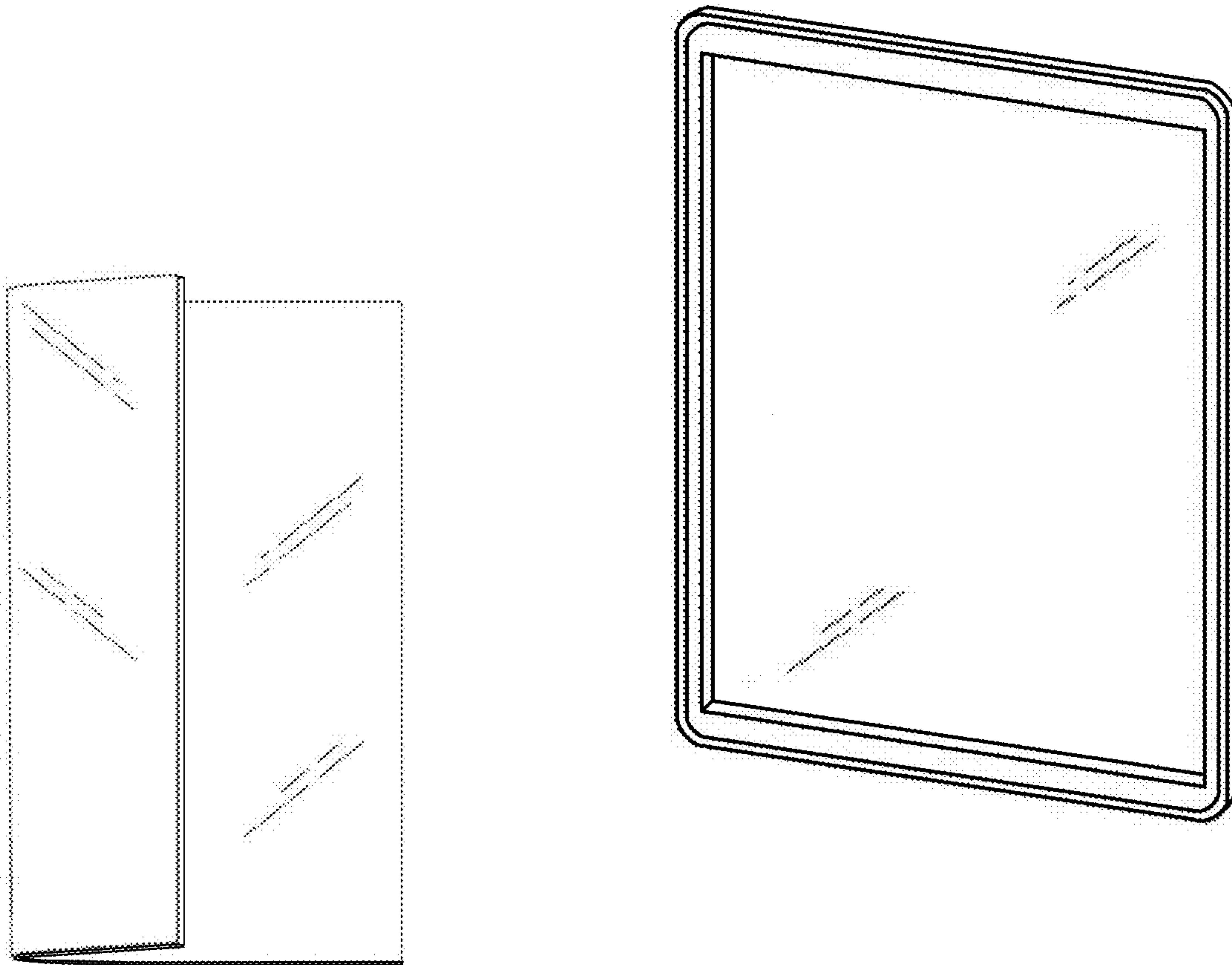


FIG 3

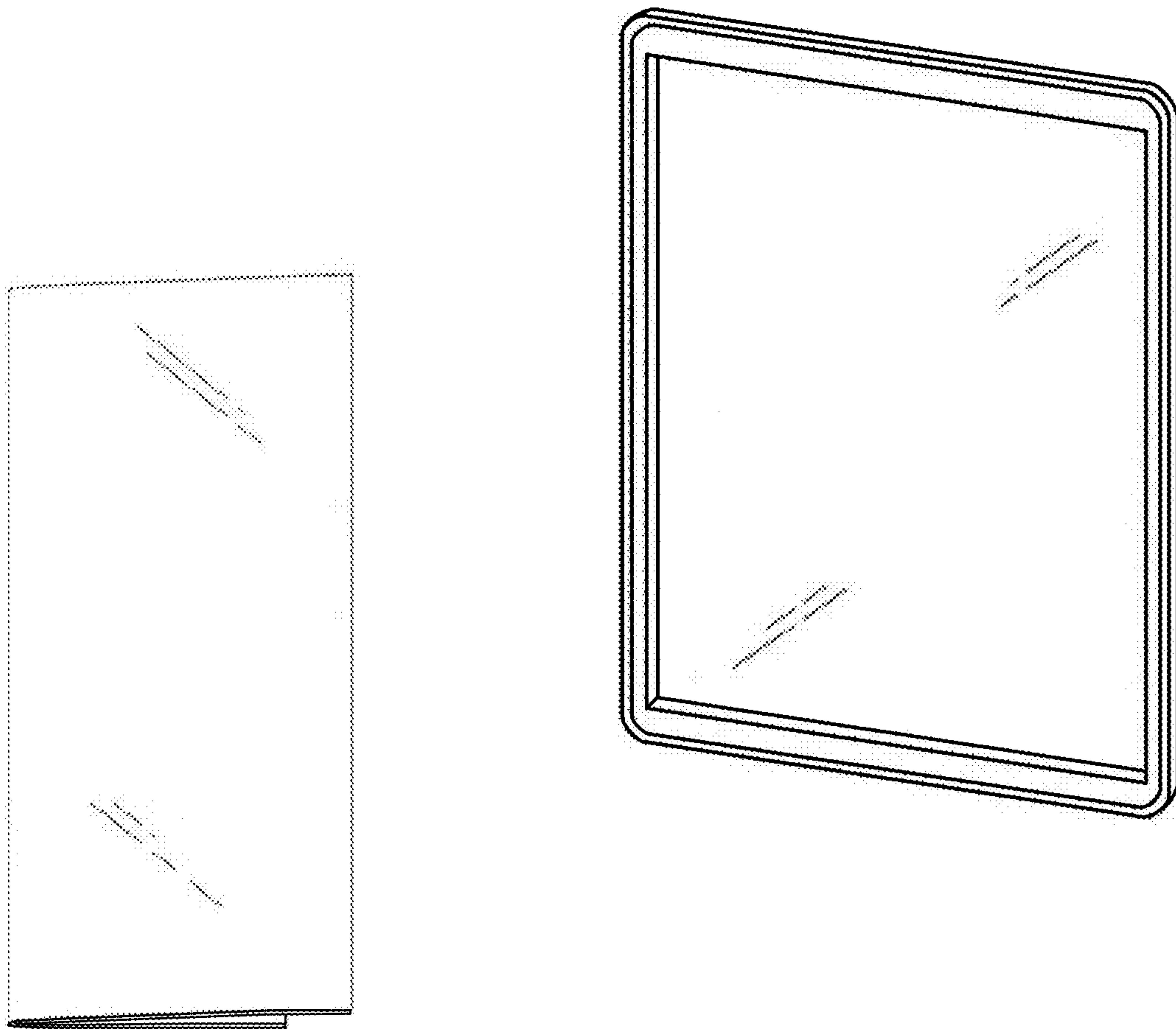


FIG 4

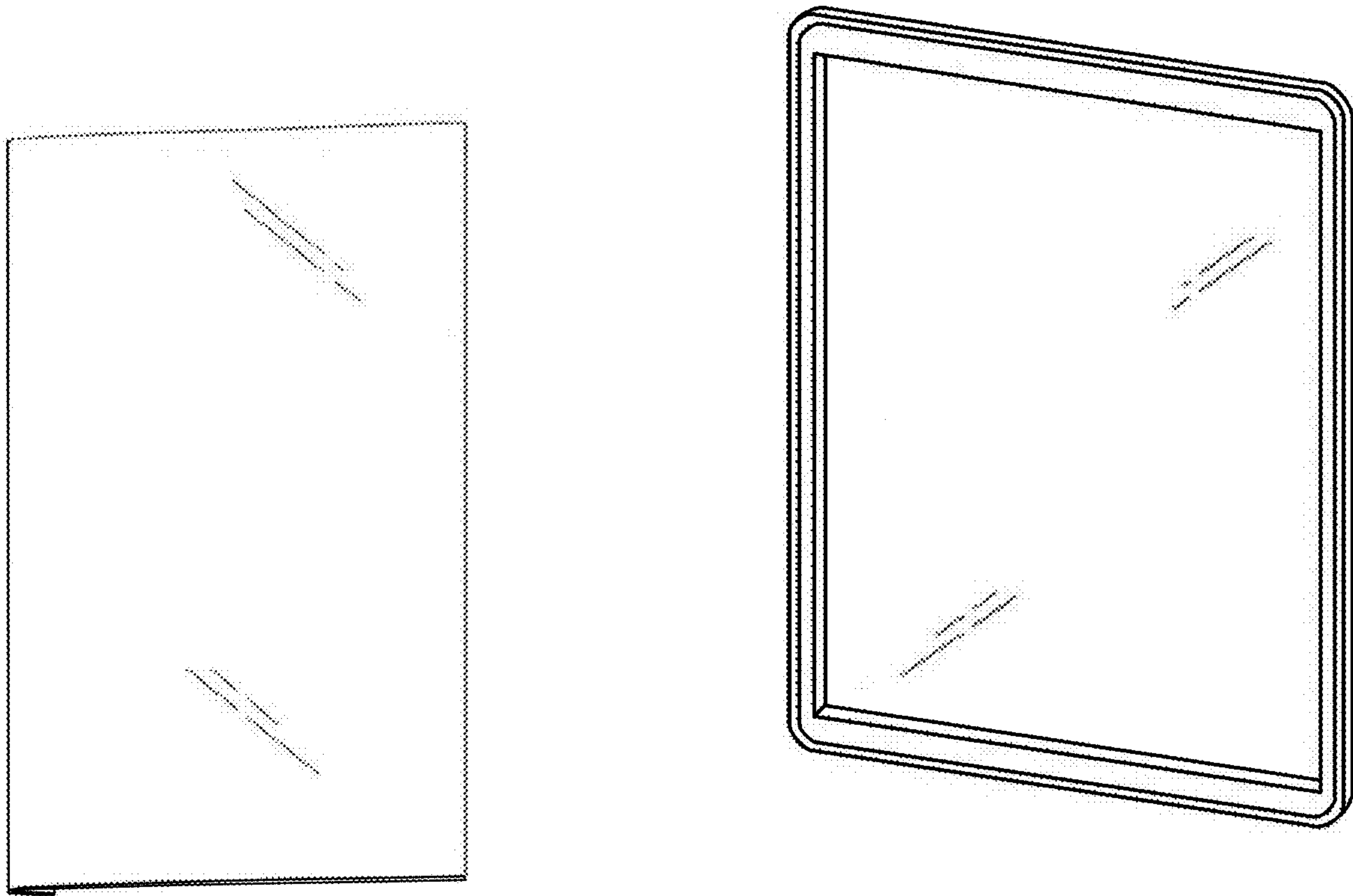


FIG 5

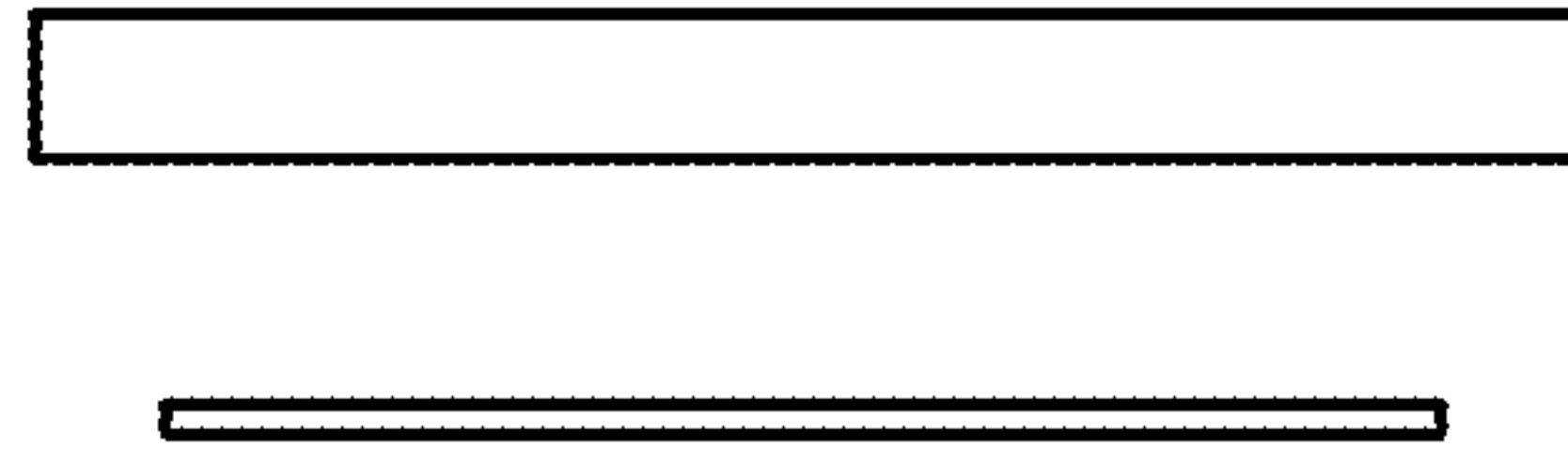


FIG 6

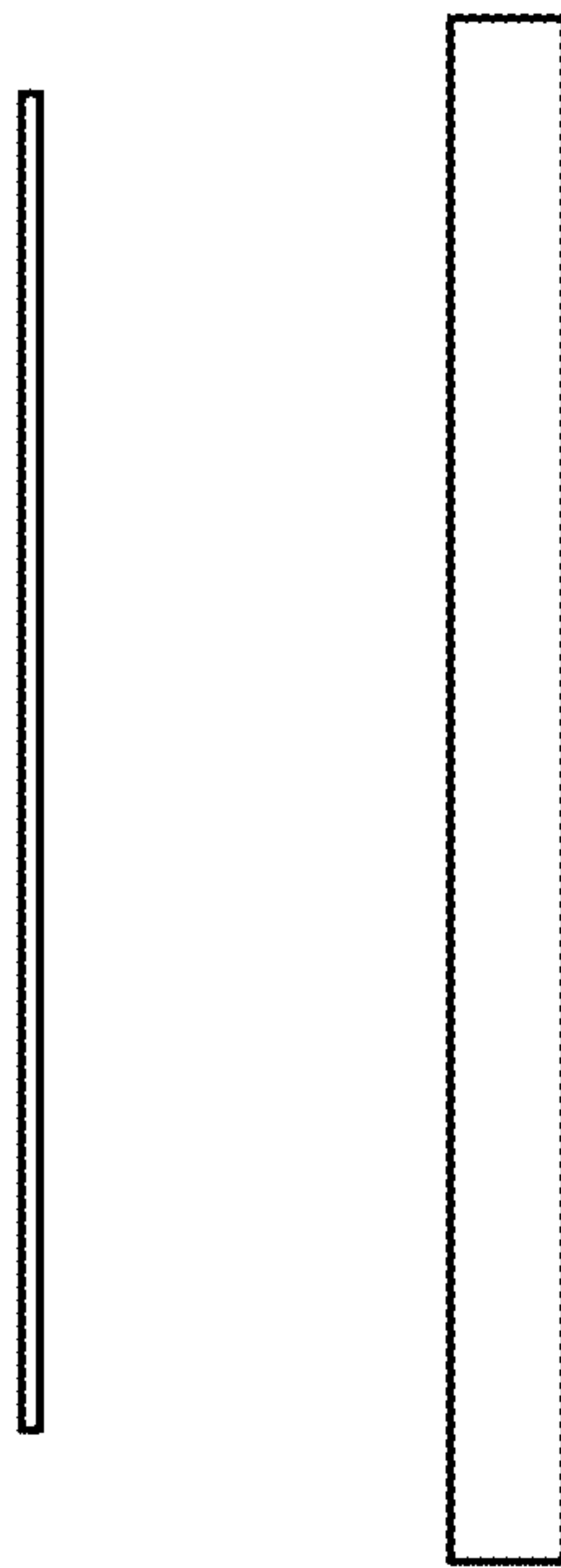


FIG 7

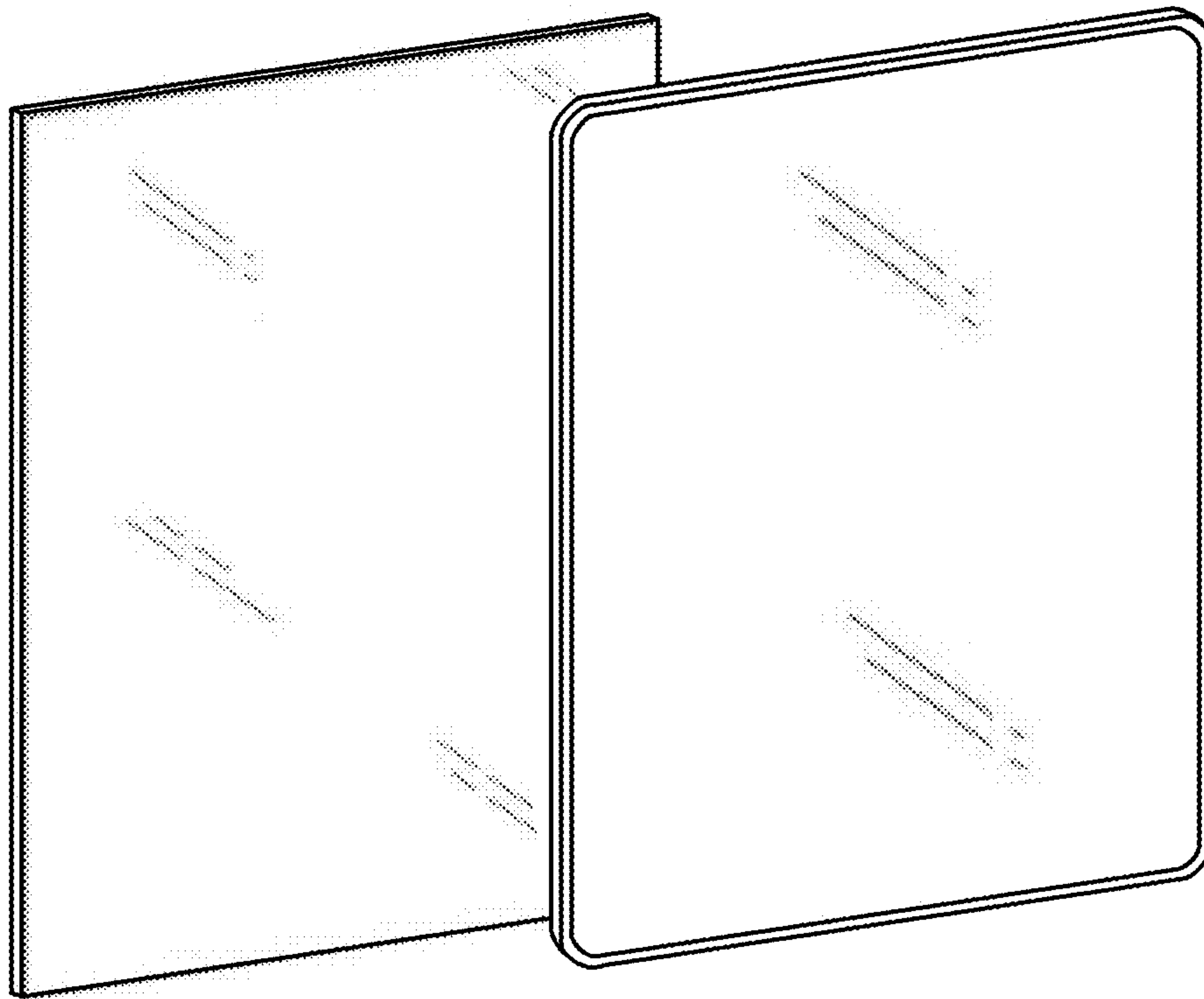


FIG 8

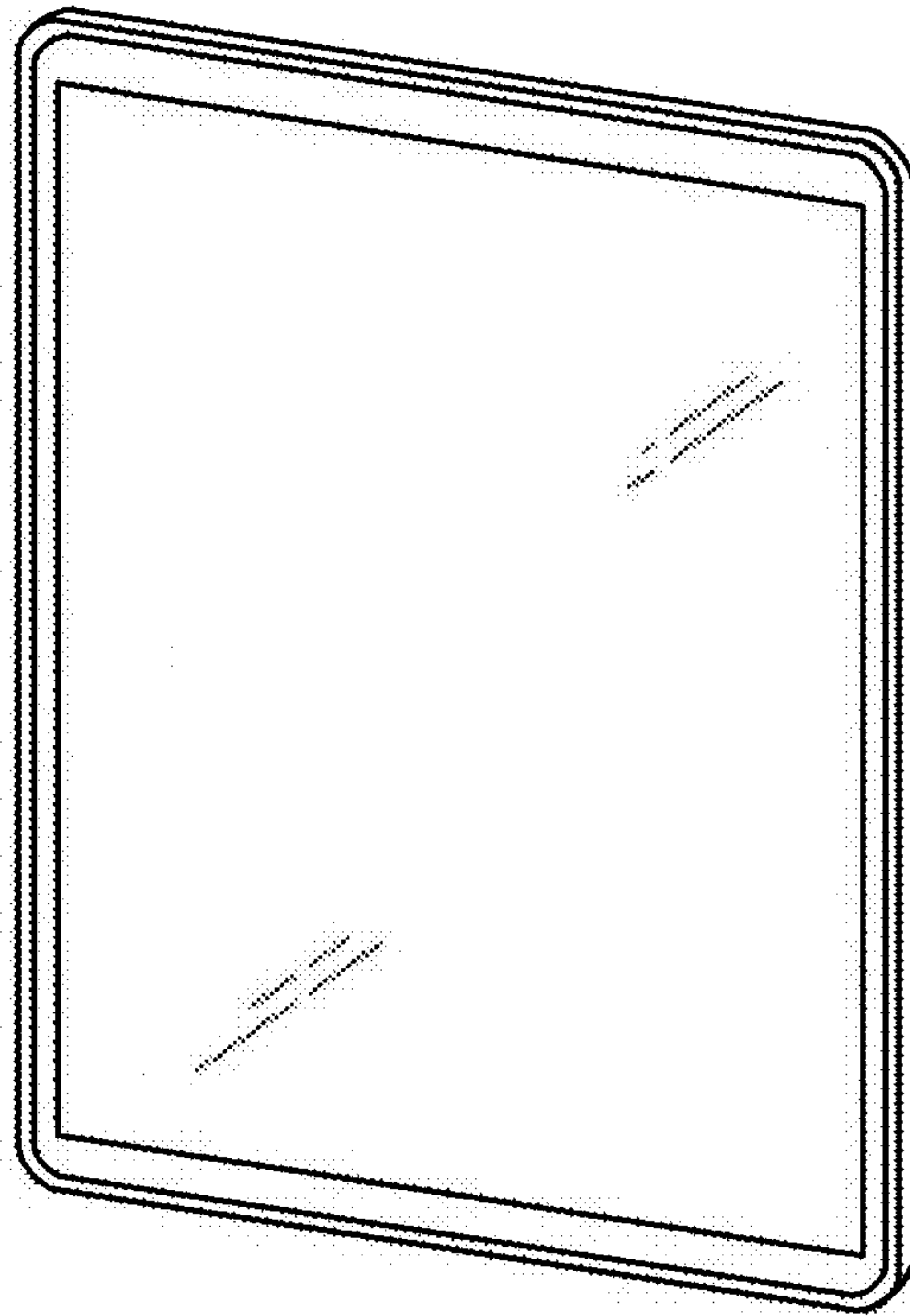


FIG 9



FIG 10

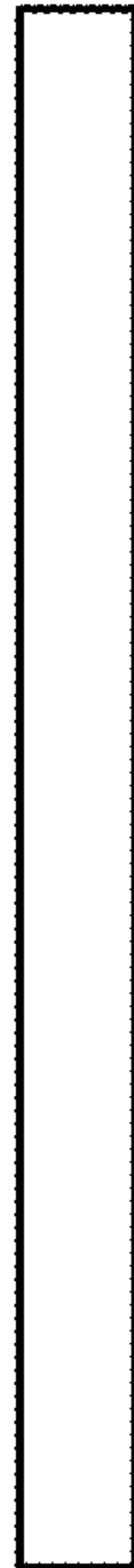


FIG 11

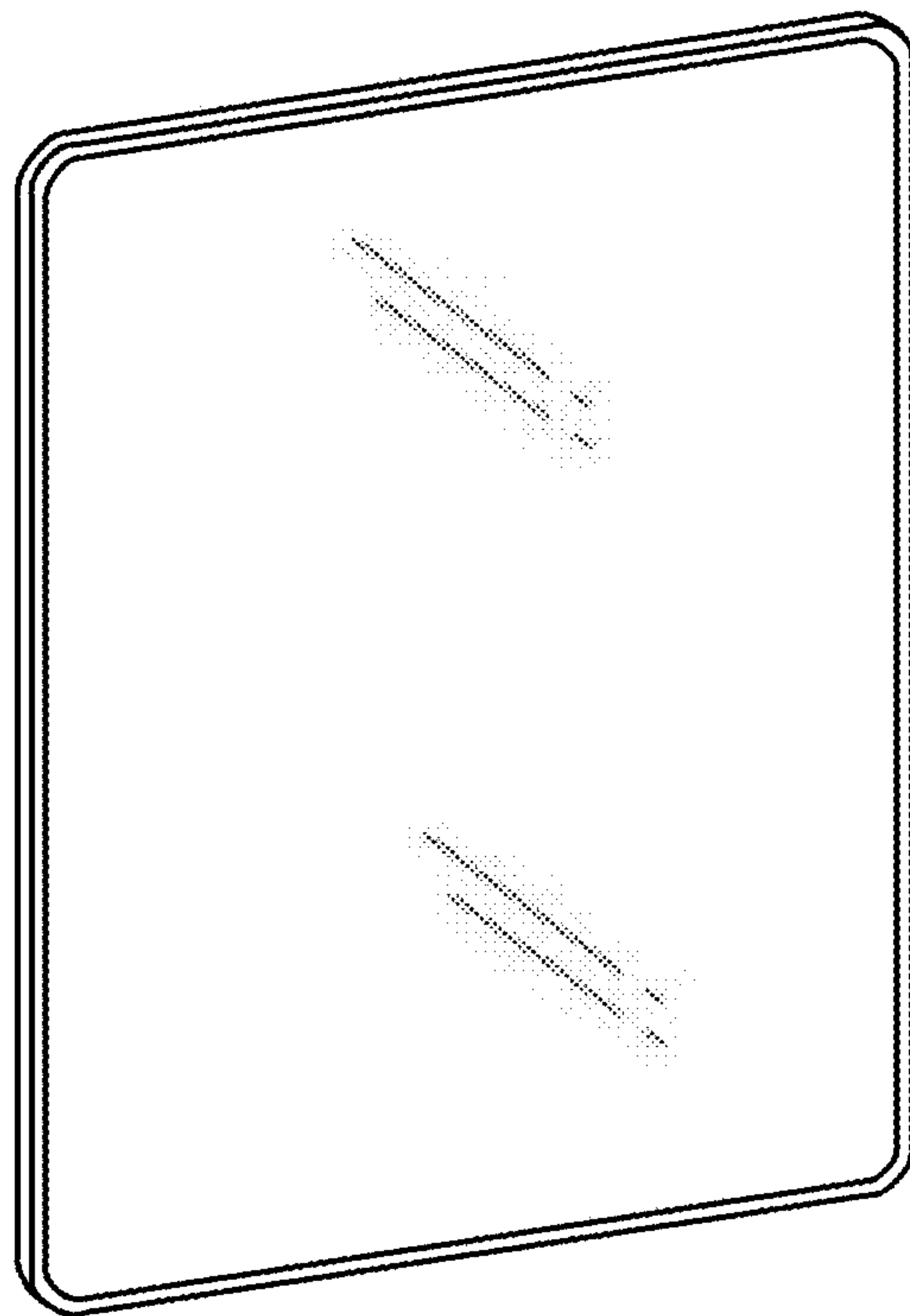


FIG 12