



US00D892801S

(12) **United States Design Patent**
Liu

(10) **Patent No.:** **US D892,801 S**
(45) **Date of Patent:** **** Aug. 11, 2020**

- (54) **DOCKING STATION**
- (71) Applicant: **Shenzhen Xfanic Technology Co., Ltd,**
Shenzhen (CN)
- (72) Inventor: **Xiangping Liu,** Shenzhen (CN)
- (**) Term: **15 Years**
- (21) Appl. No.: **29/730,330**
- (22) Filed: **Apr. 3, 2020**
- (51) **LOC (12) Cl.** **14-02**
- (52) **U.S. Cl.**
USPC **D14/434; D14/357; D14/433**
- (58) **Field of Classification Search**
USPC ... D14/434, 433, 435, 435.1, 356, 357, 358,
D14/440, 447, 251-253, 432, 451, 452,
D14/454, 140, 142, 149, 217, 240, 299,
D14/496, 171; D13/103, 107, 108, 118,
D13/119, 184, 110, 123, 133, 135;
D21/333
CPC G06F 1/1632; G06F 1/1688; G06F 13/00;
G06F 13/38; G06F 13/382; G06F 13/385;
G06F 13/387; G06F 3/023; G06F 3/0658;
G06F 9/541; G06F 2213/40; G06F
2213/4004; H01R 31/06; H01R 31/065;
H01R 27/00; H04R 5/04
See application file for complete search history.

(56) **References Cited**

U.S. PATENT DOCUMENTS

D413,574 S *	9/1999	Goto	D13/146
6,206,578 B1 *	3/2001	Shin	G06F 1/1632 385/134
6,321,340 B1 *	11/2001	Shin	G06F 1/1632 713/310
6,722,917 B2 *	4/2004	Huang	H01R 13/6658 439/501
D599,783 S	9/2009	Andre et al.		
D618,237 S *	6/2010	Wang	D14/356

D628,535 S *	12/2010	Cheng	D13/108
D628,537 S *	12/2010	Nagata	D13/147
D641,367 S	7/2011	Morabito		
8,105,108 B2 *	1/2012	Vroom	H01R 13/512 439/540.1
D689,858 S *	9/2013	Lo	D14/357
D696,195 S *	12/2013	Wen	D13/110
D709,892 S *	7/2014	Lui	D14/433
D714,731 S *	10/2014	Lee	D13/147
8,882,545 B2 *	11/2014	Vroom	H01R 13/512 439/639
D720,691 S *	1/2015	Lo	D13/110
D735,403 S *	7/2015	Che	D13/110
D788,112 S *	5/2017	Liao	D14/433

(Continued)

Primary Examiner — Marie D. Fast Horse
(74) *Attorney, Agent, or Firm* — ZanIP

(57) **CLAIM**

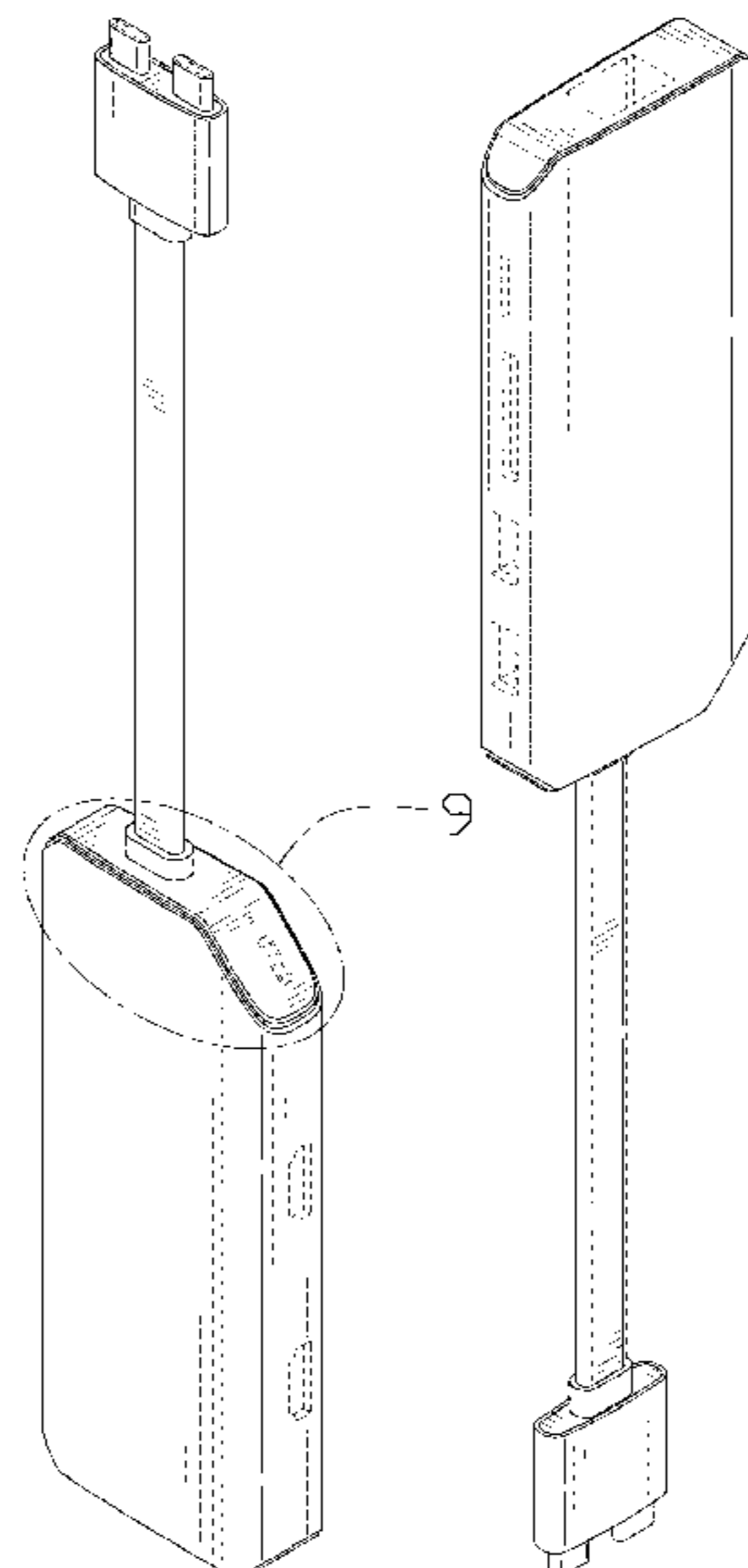
The ornamental design for a docking station, as shown and described.

DESCRIPTION

FIG. 1 is a first perspective view of a docking station showing my new design;
 FIG. 2 is a second perspective view thereof;
 FIG. 3 is a front view thereof;
 FIG. 4 is a back view thereof;
 FIG. 5 is a left side view thereof;
 FIG. 6 is a right side view thereof;
 FIG. 7 is a top view thereof;
 FIG. 8 is a bottom view thereof; and,
 FIG. 9 is an enlarged view of the selected portion, in FIG. 1.

The broken lines shown in the drawings depict portions of the docking station in which the design is embodied that form no part of the claimed design.
 The broken lines consisting of a long dash and a short dash depict reference to the enlargement shown in FIG. 9 and form no part of the claim.

1 Claim, 9 Drawing Sheets



(56)

References Cited

U.S. PATENT DOCUMENTS

D798,301 S * 9/2017 Kujawski D14/433
 D798,811 S * 10/2017 Liao D13/110
 D800,730 S * 10/2017 Liao D14/433
 D807,290 S * 1/2018 Liao D13/110
 D813,875 S * 3/2018 Liao D14/434
 D828,356 S * 9/2018 Xie D14/433
 D828,839 S * 9/2018 Zhang D14/433
 D828,840 S * 9/2018 Zhang D14/433
 D828,841 S * 9/2018 Zhang D14/433
 D830,366 S * 10/2018 Turksu D14/433
 D838,241 S * 1/2019 Xie D13/108
 D839,876 S * 2/2019 Turksu D14/435.1
 D841,010 S * 2/2019 Kong et al.
 D844,008 S * 3/2019 Yamazaki D14/434
 D844,618 S * 4/2019 Liao D14/434
 D847,139 S * 4/2019 Wang D14/433
 D853,396 S * 7/2019 Kong D14/434
 D853,397 S * 7/2019 Wang D14/435.1
 D854,019 S * 7/2019 Liao D14/434
 D854,020 S * 7/2019 Liao D14/434
 D854,544 S * 7/2019 Liao D14/434
 D855,054 S * 7/2019 Turksu D14/433
 D855,616 S * 8/2019 Chin D14/433
 D856,278 S * 8/2019 Turksu D13/108
 D862,385 S * 10/2019 Turksu D13/108
 D862,473 S * 10/2019 Liu D14/433
 D862,474 S * 10/2019 Liu D14/433
 D863,310 S * 10/2019 Liao D14/433
 D864,205 S * 10/2019 Wang D14/433
 D864,208 S * 10/2019 Duan D14/433

D864,964 S * 10/2019 Lyu D14/433
 D864,966 S * 10/2019 Sang D14/434
 D864,967 S * 10/2019 Liu D14/434
 D866,557 S * 11/2019 Xiong D14/433
 D868,784 S * 12/2019 Turksu D14/385
 D869,467 S * 12/2019 Lin D14/434
 D874,462 S * 2/2020 Chin D14/433
 D876,439 S * 2/2020 Turksu D14/433
 D878,373 S * 3/2020 Zhang D14/433
 D879,780 S * 3/2020 Liao D14/433
 D881,888 S * 4/2020 Liao D14/433
 D883,983 S * 5/2020 Zhang D14/433
 D885,339 S * 5/2020 Duan D13/110
 D885,391 S * 5/2020 Chin D14/433
 D885,392 S * 5/2020 Duan D14/433
 D885,393 S * 5/2020 Duan D14/433
 D885,394 S * 5/2020 Duan D14/433
 D885,395 S * 5/2020 Duan D14/433
 2003/0148656 A1 * 8/2003 Huang H01R 25/003
 439/501
 2003/0216069 A1 * 11/2003 Huang G06F 1/266
 439/105
 2006/0085584 A1 * 4/2006 Chen H01R 31/005
 710/303
 2014/0131442 A1 * 5/2014 Morrow G06K 7/0021
 235/440
 2016/0085272 A1 * 3/2016 Chien G06F 1/1632
 361/679.4
 2018/0165053 A1 * 6/2018 Kuo G06F 1/16
 2019/0204882 A1 * 7/2019 Tseng G06F 1/1632
 2019/0379150 A1 * 12/2019 Turksu H01R 31/02

* cited by examiner

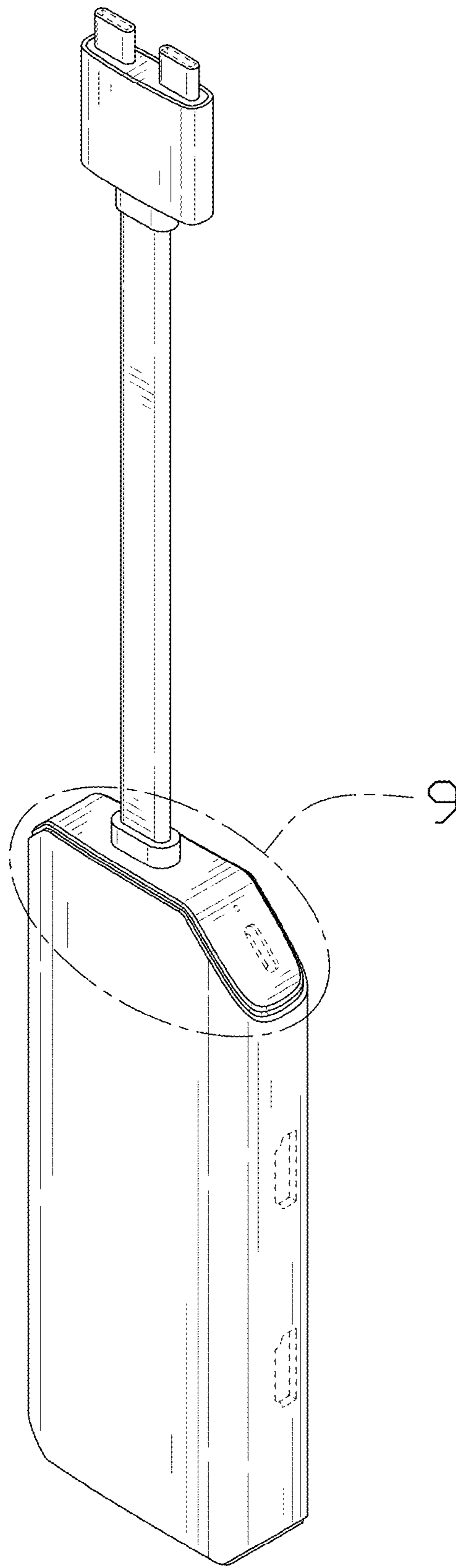


FIG. 1

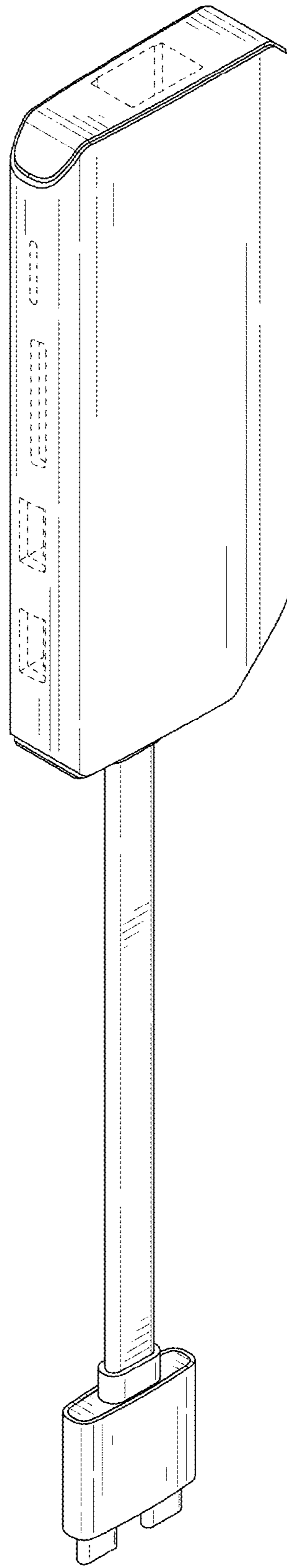


FIG. 2

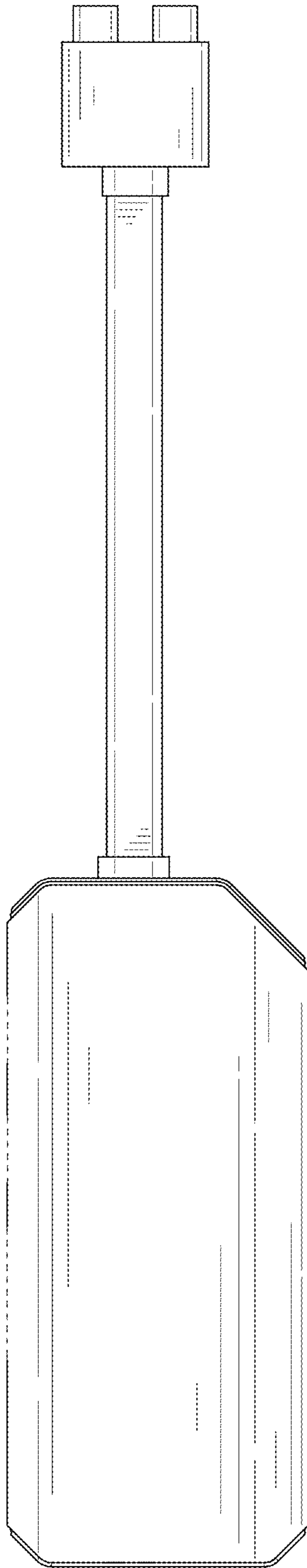


FIG. 3

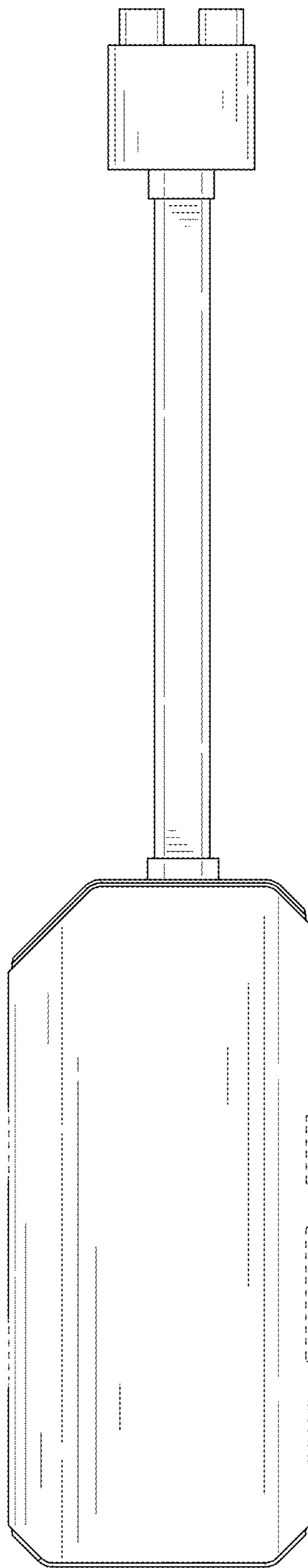


FIG. 4

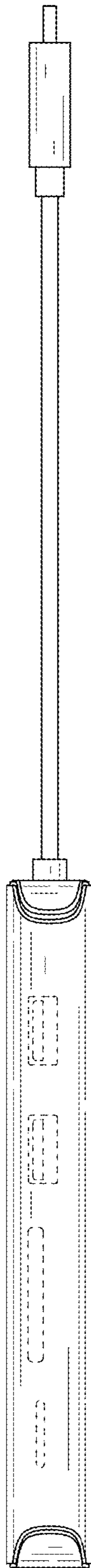


FIG. 5

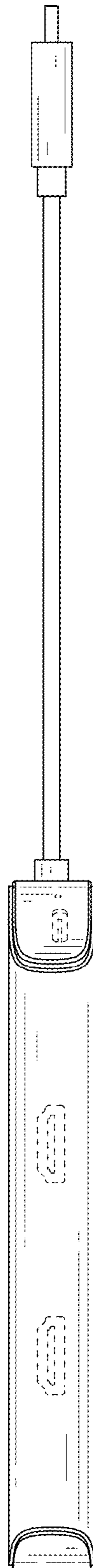


FIG. 6

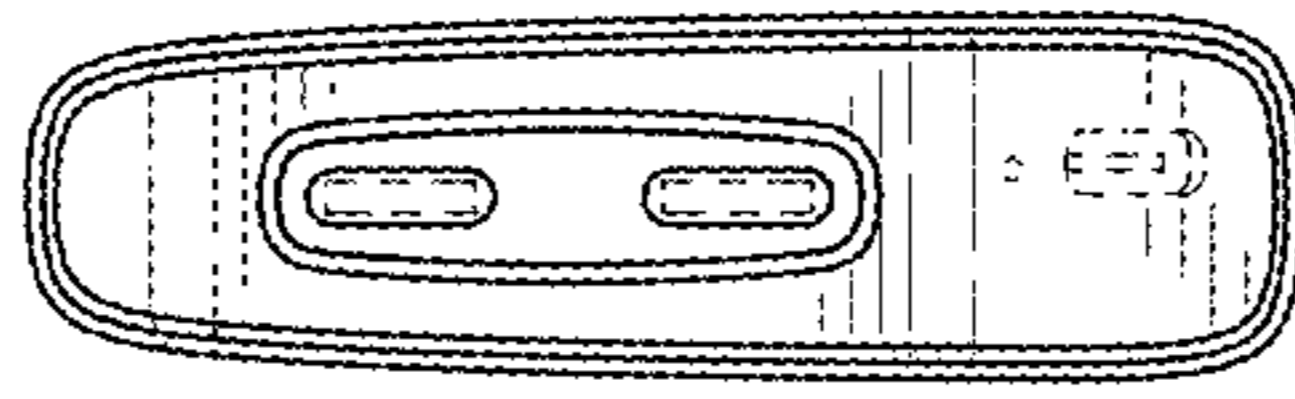


FIG. 7

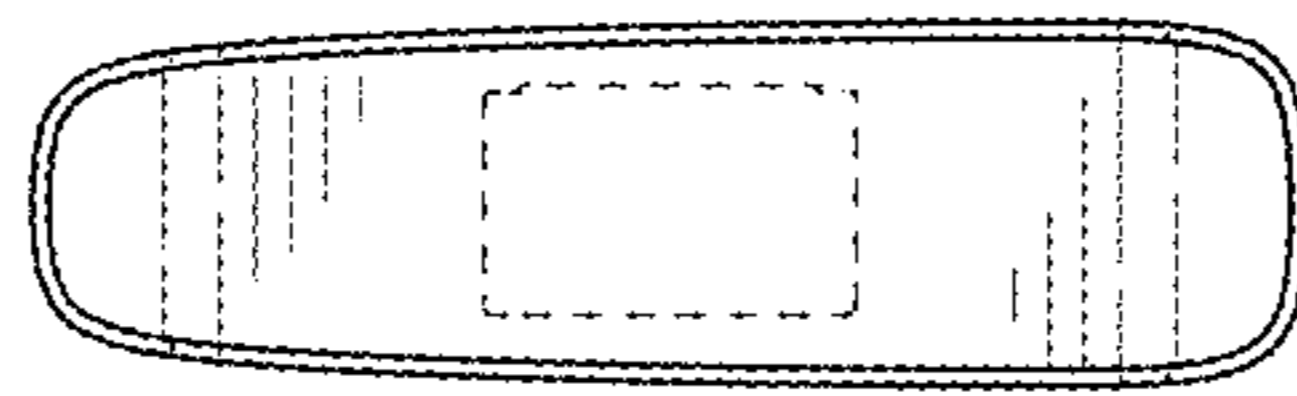


FIG. 8

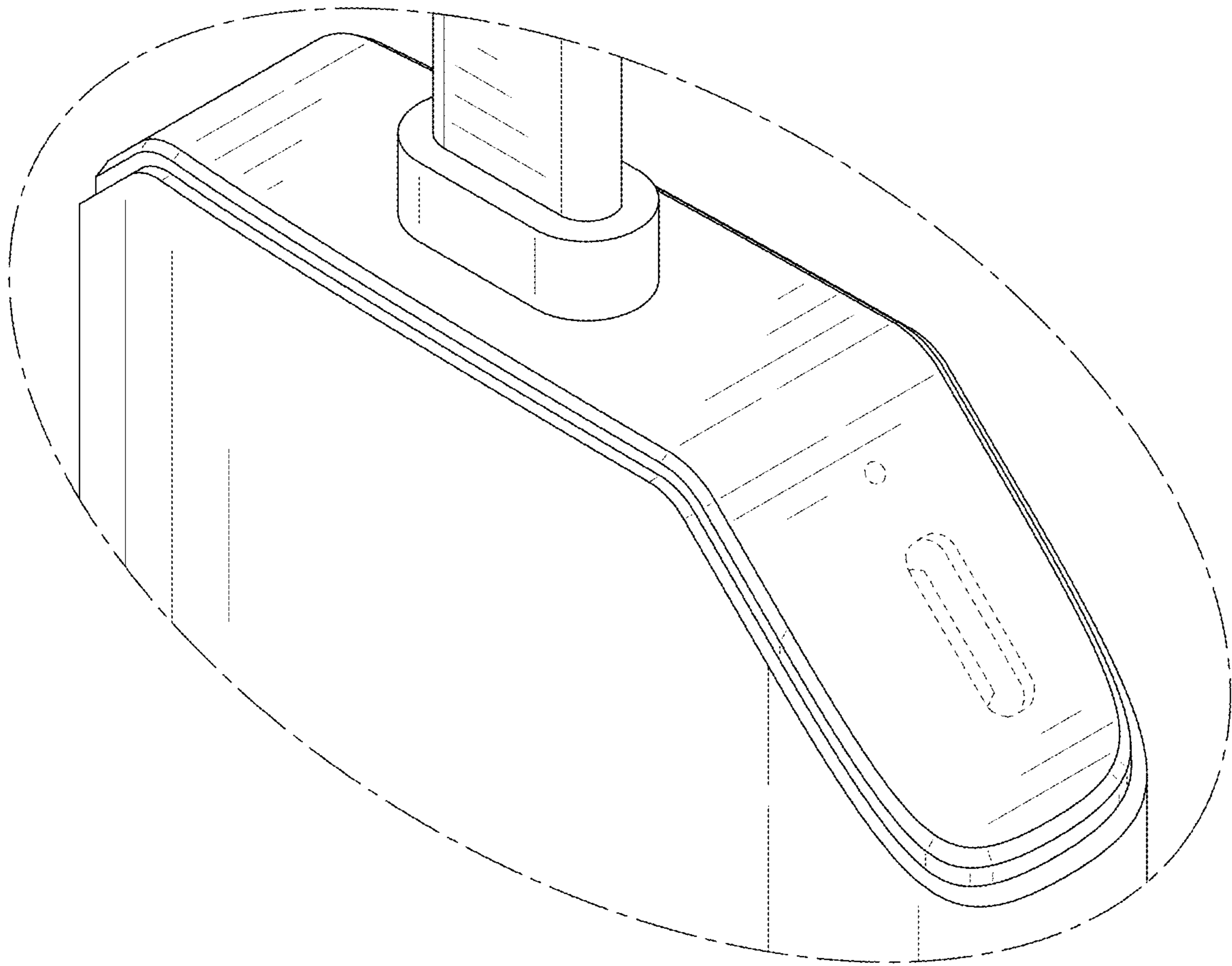


FIG. 9