



US00D892798S

(12) **United States Design Patent**
Sauvage et al.

(10) **Patent No.:** **US D892,798 S**

(45) **Date of Patent:** **** Aug. 11, 2020**

(54) **ERGONOMIC INPUT DEVICE**

(71) Applicant: **Logitech Europe S.A.**, Lausanne (CH)

(72) Inventors: **Sylvain Sauvage**, Fremont, CA (US);
Cathal Loughnane, Co. Wexford (IE);
Nicholas Jinkinson, St-Sulpice (CH);
Lars Holm Lauridsen, Lausanne (CH)

(73) Assignee: **Logitech Europe S.A.**, Lausanne (CH)

(**) Term: **15 Years**

(21) Appl. No.: **29/730,136**

(22) Filed: **Apr. 1, 2020**

Related U.S. Application Data

(62) Division of application No. 29/647,163, filed on May 10, 2018, now Pat. No. Des. 882,572.

(51) **LOC (12) Cl.** **14-02**

(52) **U.S. Cl.**
USPC **D14/402**

(58) **Field of Classification Search**
USPC D14/402-411, 356, 388, 389, 383-385,
D14/417, 426; 345/156-167; 463/36-38;
358/471, 473; 273/148 B
CPC G06F 3/03543; G06F 2203/0333; G06F
3/039; G06F 3/038; G06F 2203/0384
See application file for complete search history.

(56) **References Cited**

U.S. PATENT DOCUMENTS

D511,518 S * 11/2005 Wu D14/402
D632,691 S * 2/2011 Lo D14/409

D703,206 S * 4/2014 Simmons D14/405
D728,573 S * 5/2015 Deng D14/409
D753,116 S * 4/2016 Lo D14/409
D819,034 S * 5/2018 Lo D14/409
10,088,918 B1 * 10/2018 Lo G06F 3/03543
D834,576 S * 11/2018 Wang D14/402
D851,642 S * 6/2019 Wang D14/402

* cited by examiner

Primary Examiner — Austin Murphy

(74) *Attorney, Agent, or Firm* — Kilpatrick Townsend & Stockton LLP

(57) **CLAIM**

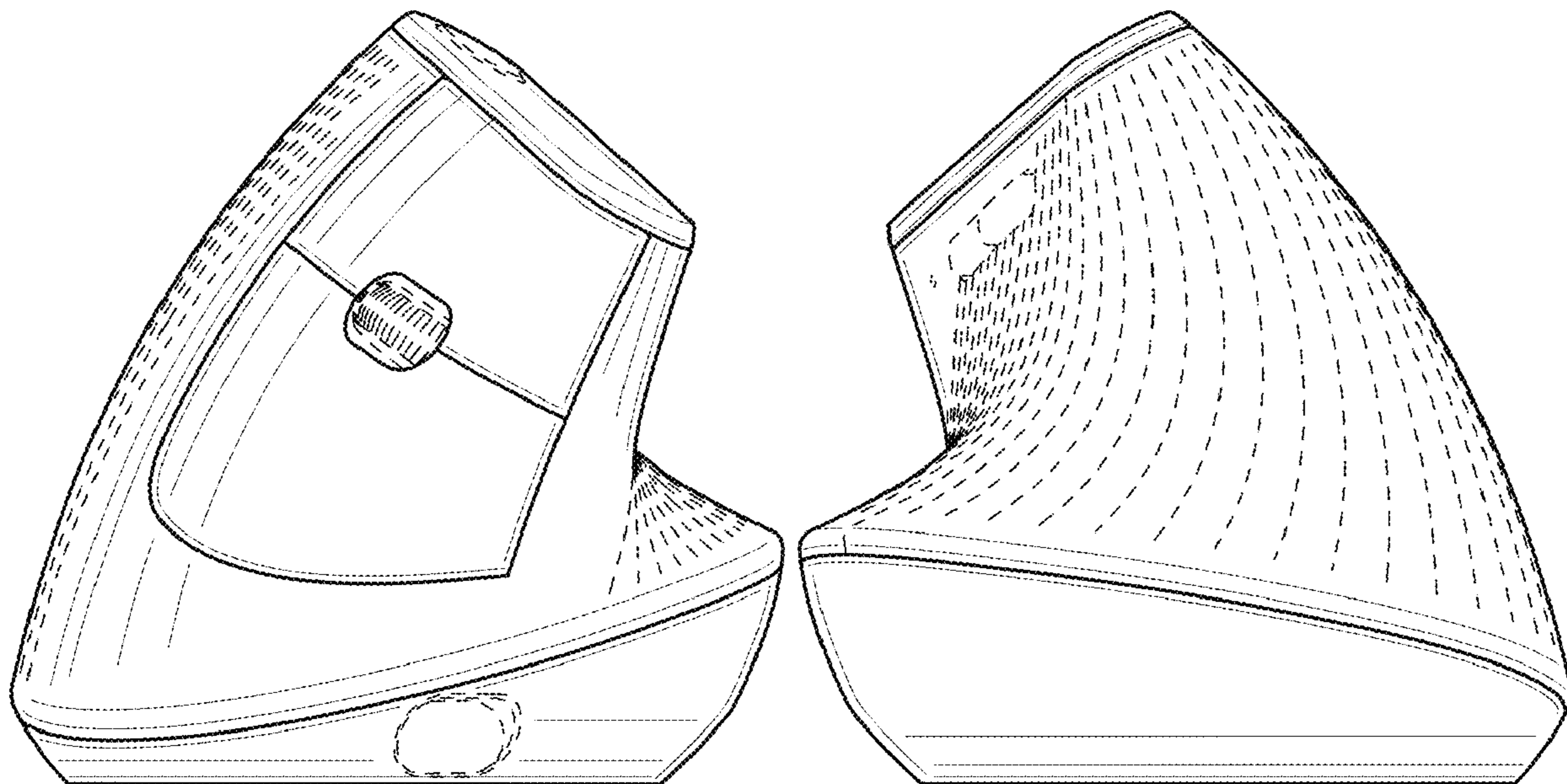
The ornamental design for the ergonomic input device, as shown and described.

DESCRIPTION

FIG. 1 is a rear perspective view of the ergonomic input device showing our new design;
FIG. 2 is a top perspective view thereof;
FIG. 3 is a bottom perspective view thereof;
FIG. 4 is a top plan view thereof;
FIG. 5 is a bottom plan view thereof;
FIG. 6 is a front elevation view thereof;
FIG. 7 is a rear elevation view thereof;
FIG. 8 is a left side elevation view thereof; and,
FIG. 9 is a right side elevation view thereof.

The broken lines shown to be immediately adjacent to the shaded/contoured areas represent certain portions of the bounds of the claimed design while all other broken lines are directed to environment and are for illustrative purposes only; the broken lines from no part of the claimed design.

1 Claim, 5 Drawing Sheets



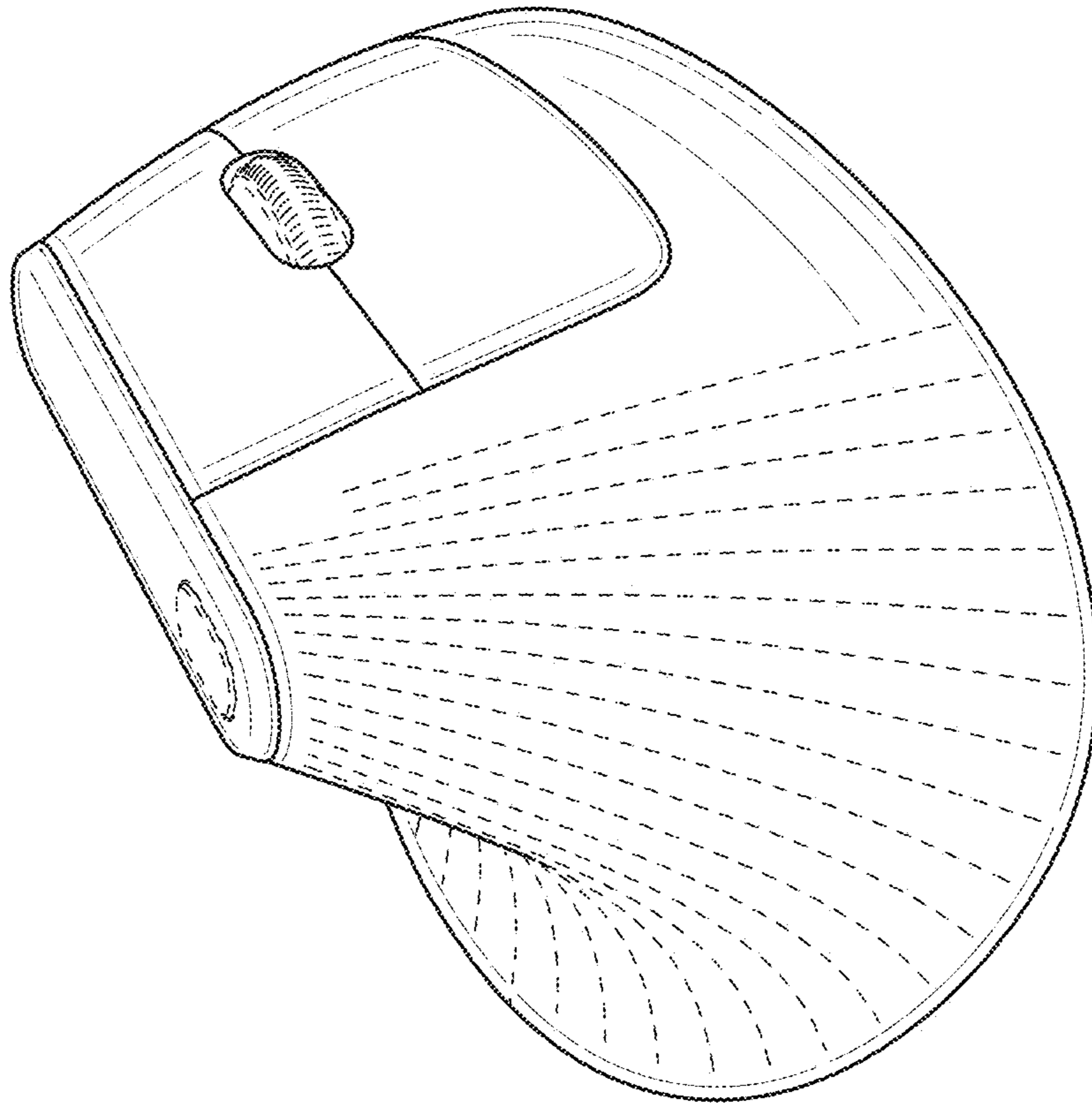


FIG. 2

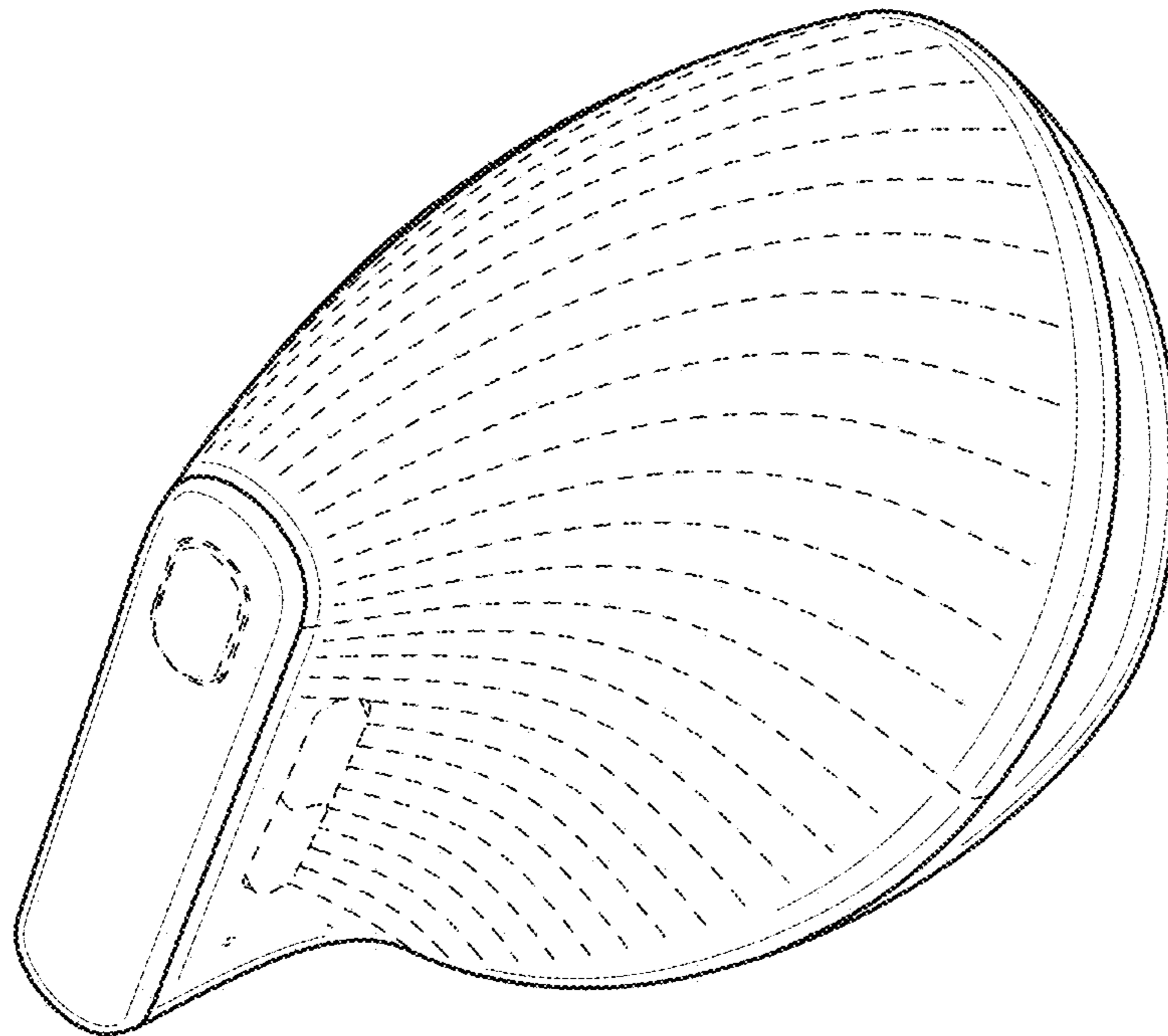


FIG. 1

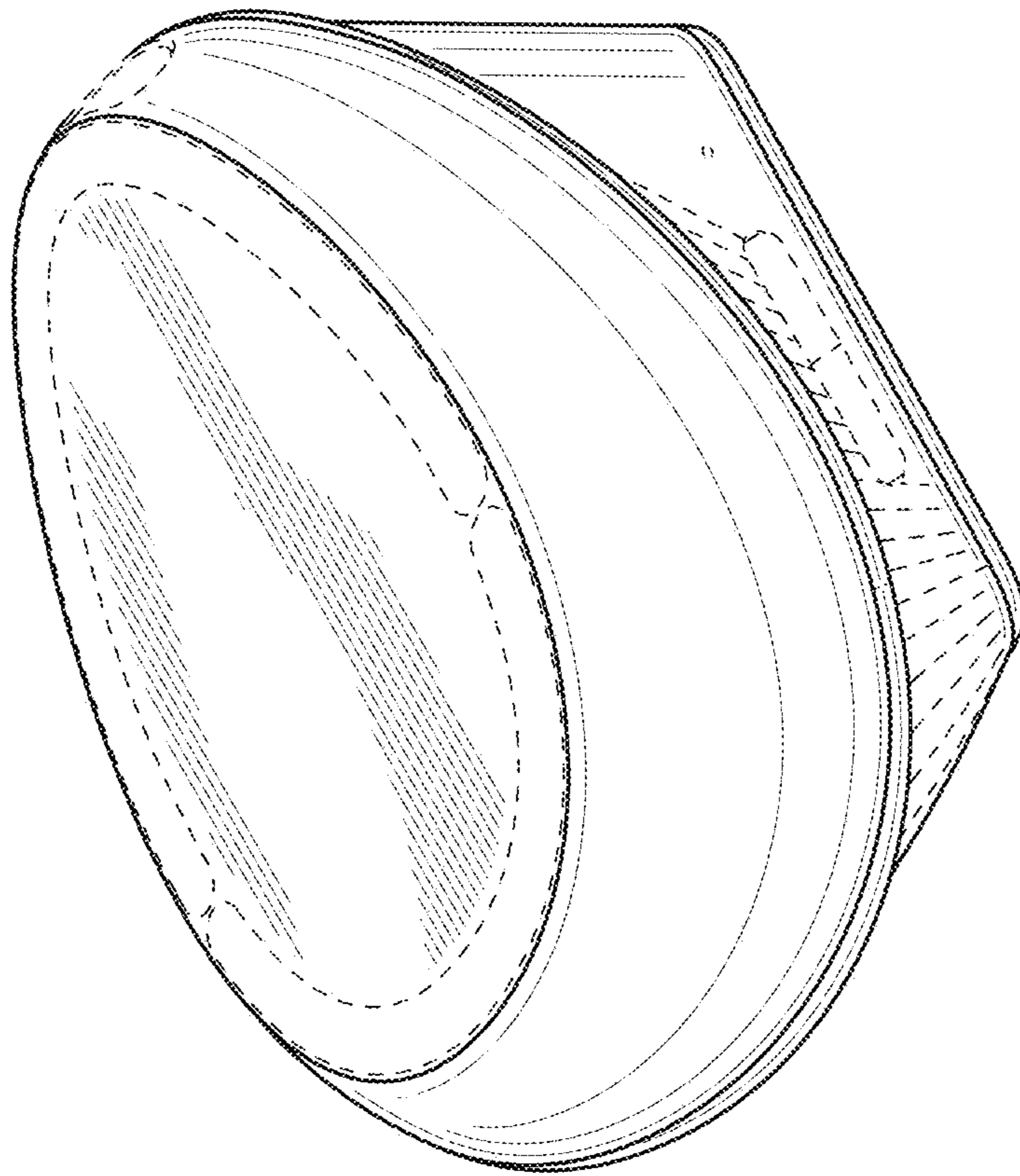


FIG. 3

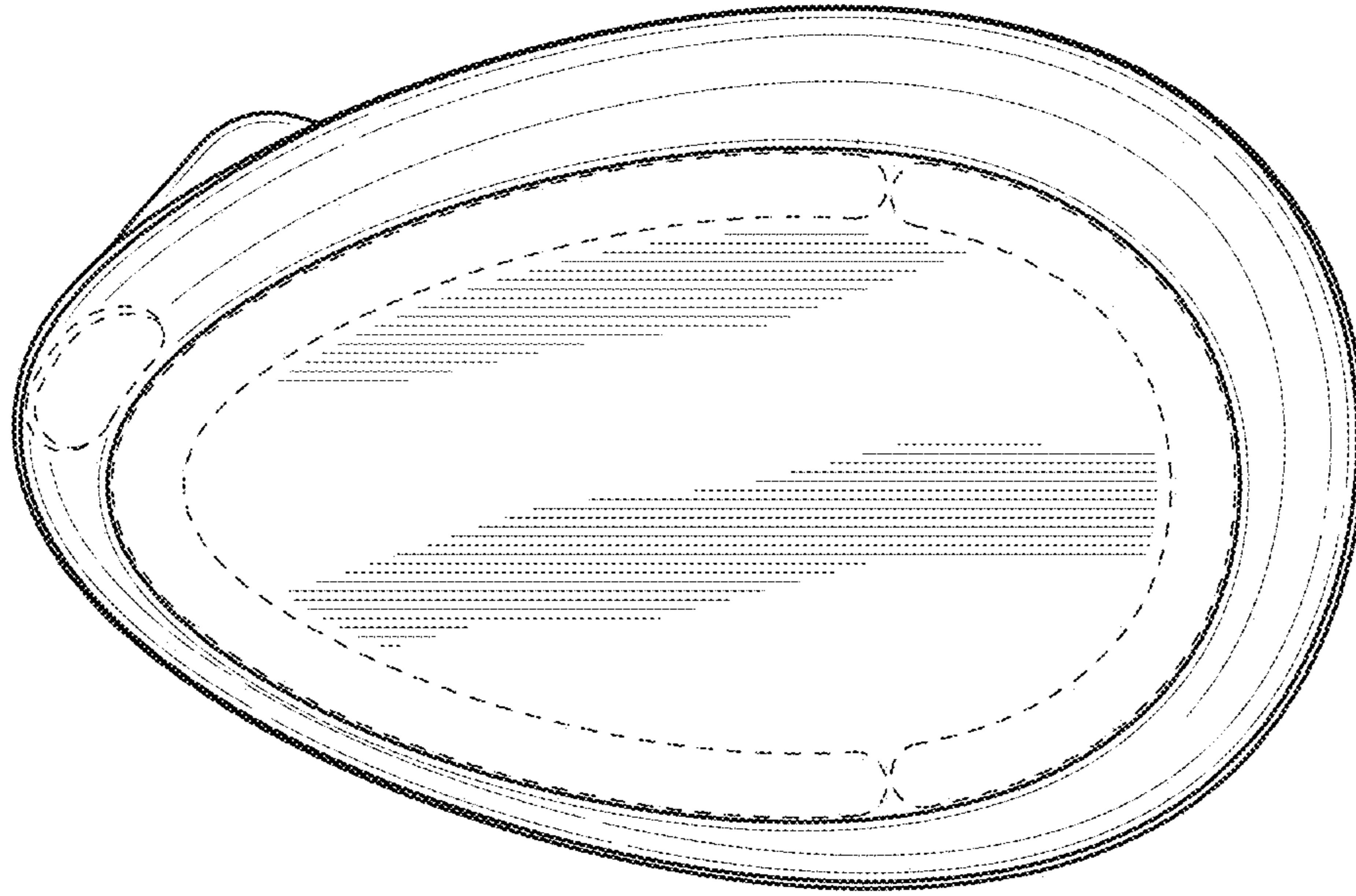


FIG. 5

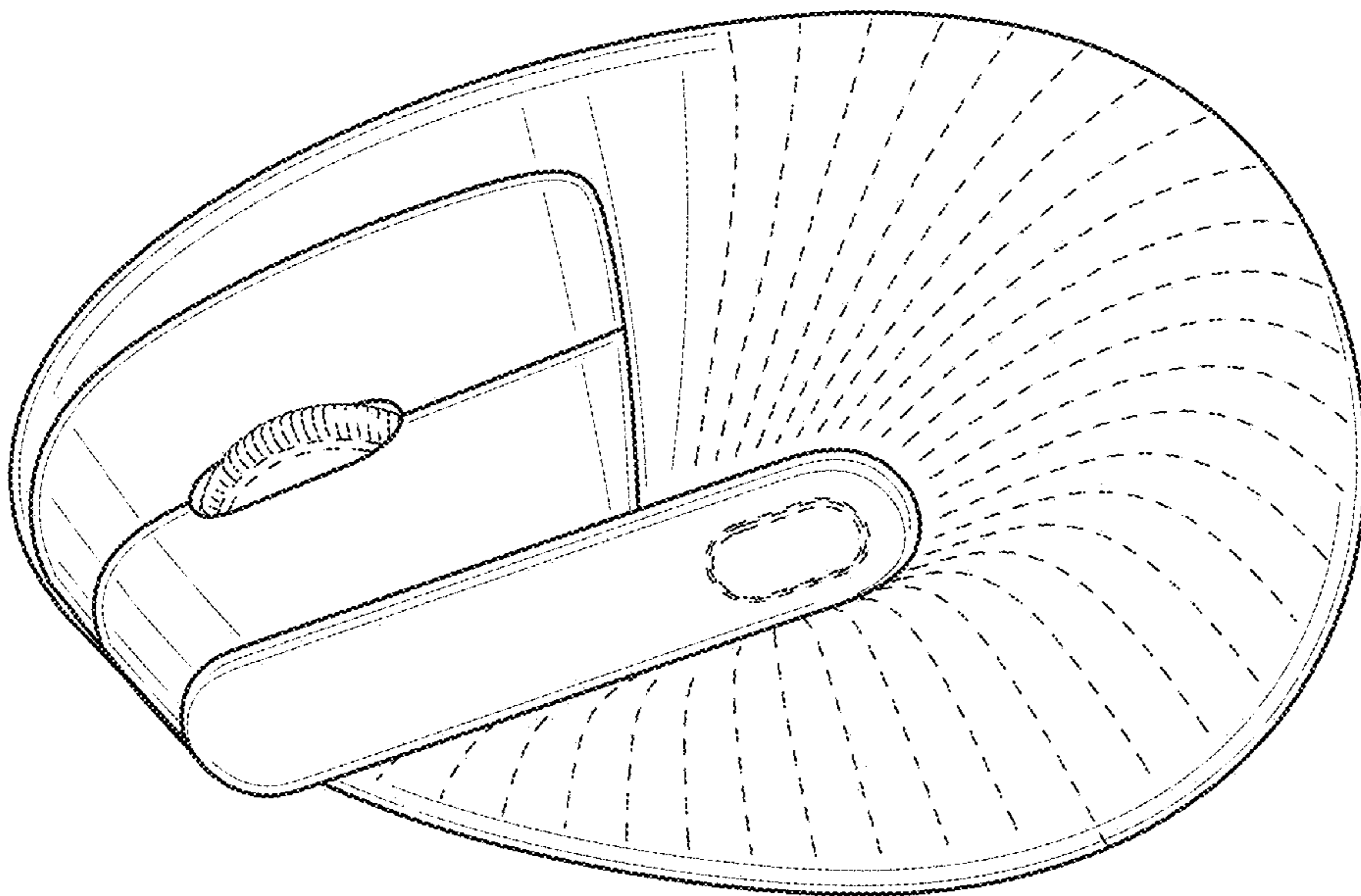


FIG. 4

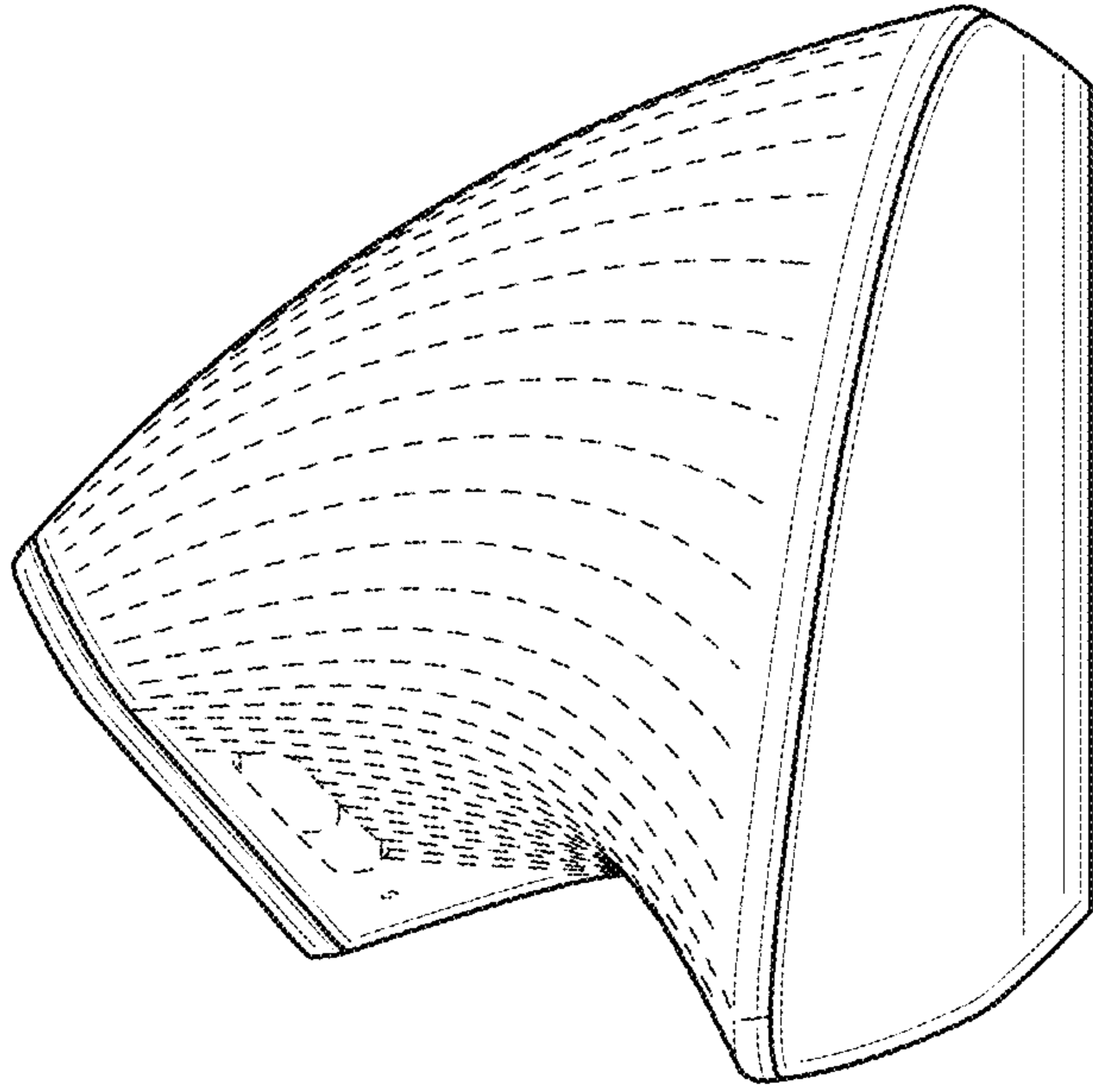


FIG. 7

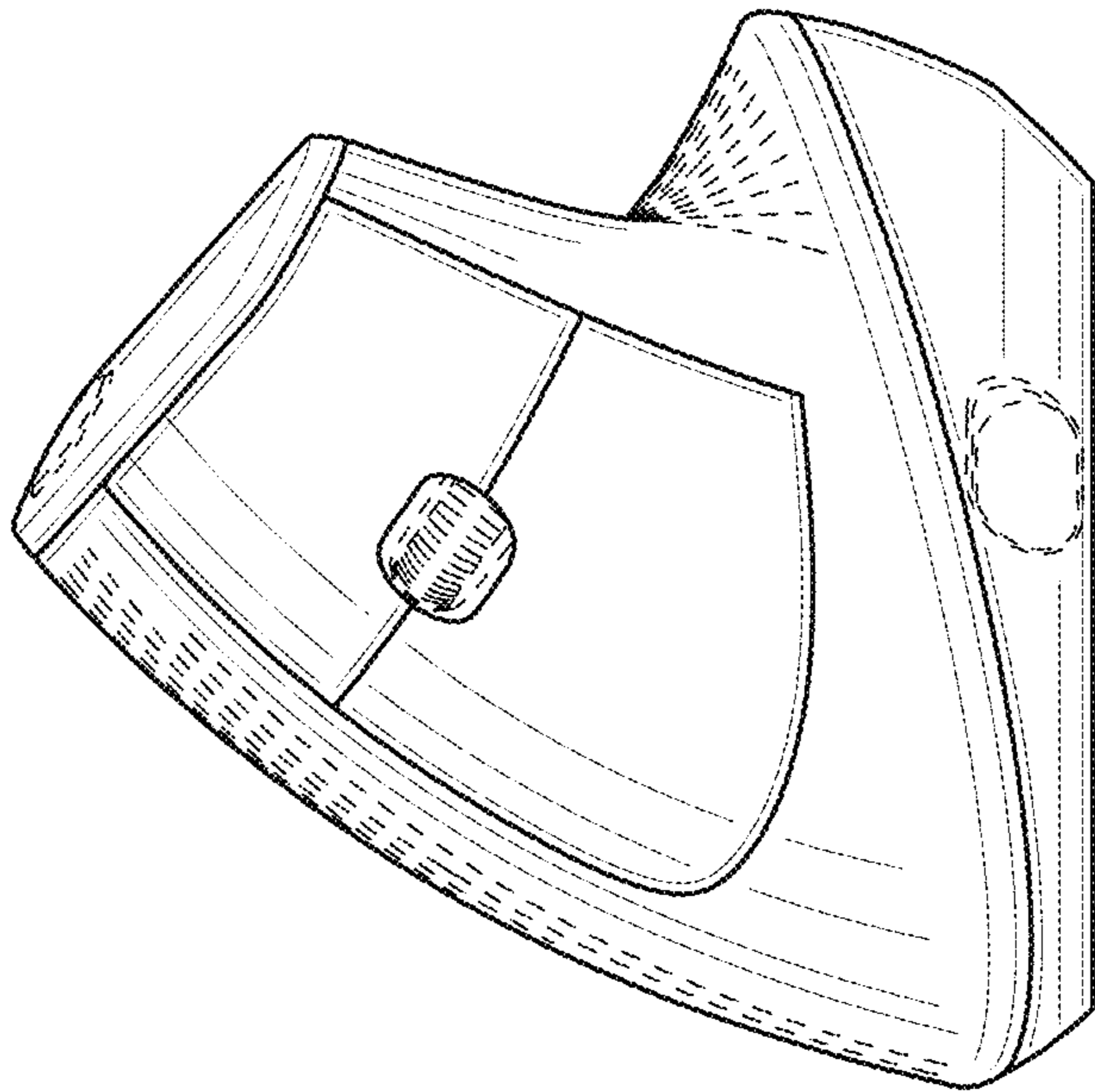


FIG. 6

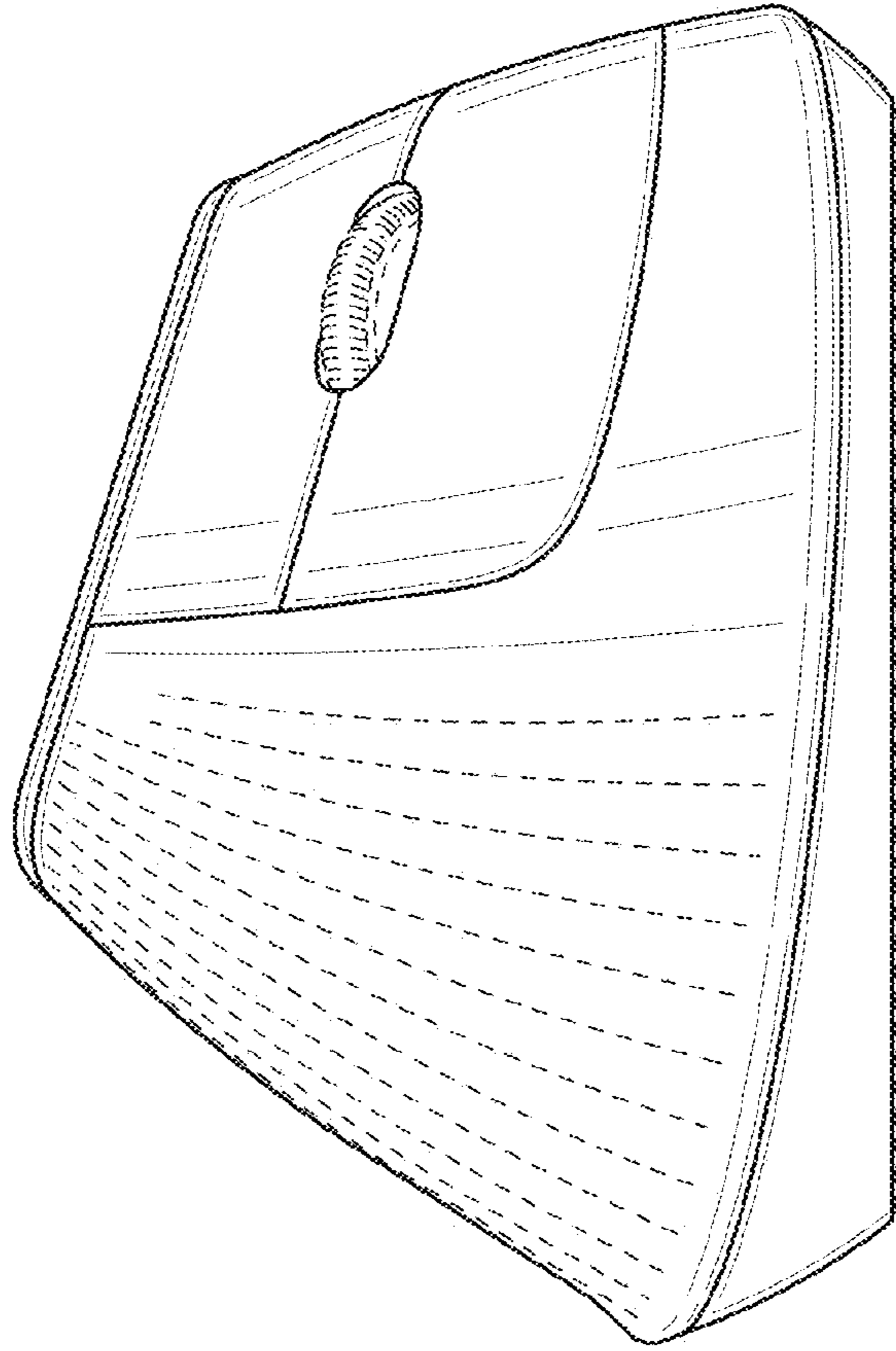


FIG. 9

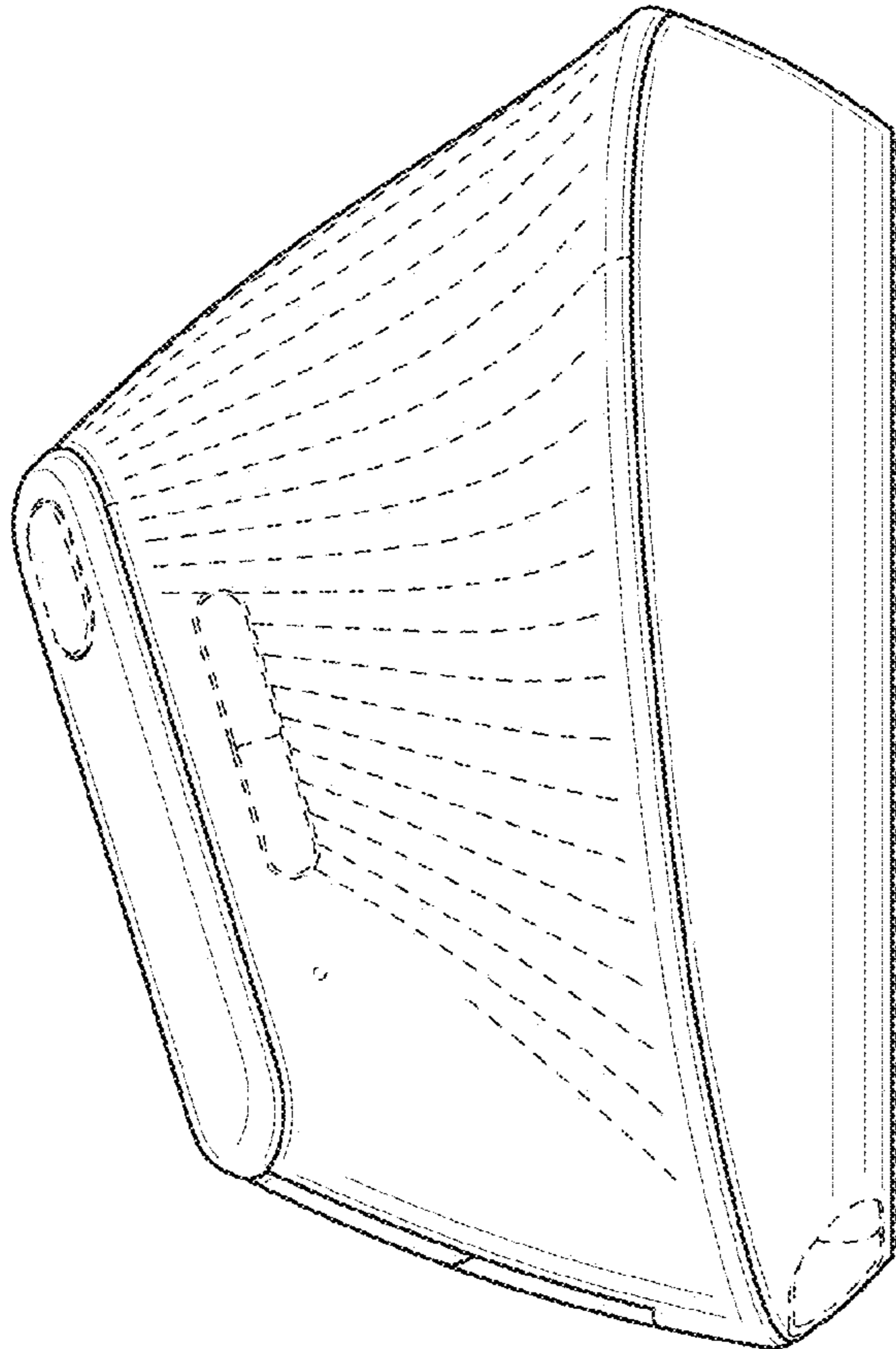


FIG. 8