



US00D892797S

(12) **United States Design Patent**
Hu

(10) **Patent No.:** **US D892,797 S**

(45) **Date of Patent:** **** Aug. 11, 2020**

(54) **TRIANGLE CARD READER**

(71) Applicant: **Shenzhen Jingmiao Technology Co., Ltd.**, Shenzhen (CN)

(72) Inventor: **Wei Hu**, Shenzhen (CN)

(73) Assignee: **Shenzhen Jingmiao Technology Co., Ltd.**, Shenzhen (CN)

(**) Term: **15 Years**

(21) Appl. No.: **29/729,648**

(22) Filed: **Mar. 29, 2020**

(51) **LOC (12) Cl.** **14-02**

(52) **U.S. Cl.**
USPC **D14/385**

(58) **Field of Classification Search**
USPC D18/4.4, 4.5, 4.6, 12, 12.1, 12.3;
D14/383, 384, 385, 386, 378, 420, 427,
D14/432-439, 447, 453; D13/107, 108,
D13/133, 146, 147, 152, 154, 156;
235/441, 451, 492, 380, 439, 375
CPC G06K 19/07749; G06K 19/0723; G06K
19/041; G06K 19/07758; G06K 19/0775;
G06K 19/07783; G06K 19/07794; G06K
19/06046; G06K 19/07722; G06K
19/07773; G06K 19/07779; G06K
19/07784; G06K 19/07786; G06K
19/0709

See application file for complete search history.

(56) **References Cited**

U.S. PATENT DOCUMENTS

D250,880 S * 1/1979 Stone 30/114
D492,726 S * 7/2004 Nuttall D19/65

D497,213 S * 10/2004 Poliacek D25/138
D578,015 S * 10/2008 Friedland D9/707
D686,208 S * 7/2013 Miller D14/385
D687,829 S * 8/2013 Miller D14/385
8,500,010 B1 * 8/2013 Marcus G06K 7/089
235/380
D711,876 S 8/2014 McWilliam et al.
D728,568 S * 5/2015 Debaigue D14/385
D749,586 S * 2/2016 Tarling D14/385
D753,479 S * 4/2016 Shlaferman D9/415
D767,670 S * 9/2016 Chatterton D14/385
D774,510 S 12/2016 Rotsaert
D797,739 S 9/2017 Templeton

* cited by examiner

Primary Examiner — Austin Murphy

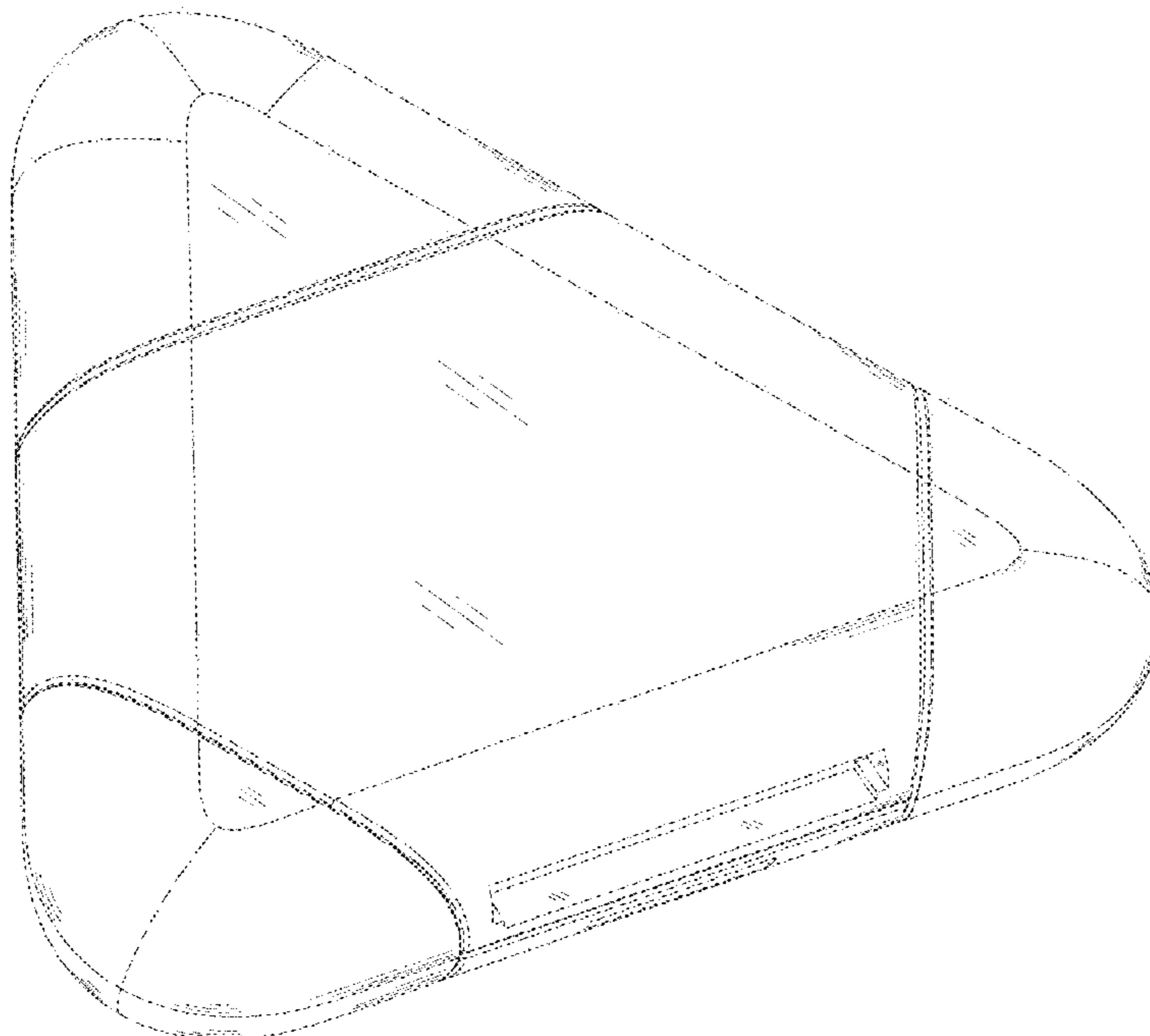
(57) **CLAIM**

The ornamental design for a triangle card reader, as shown and described.

DESCRIPTION

FIG. 1 is a perspective view of a triangle card reader showing my new design;
FIG. 2 is a top side view thereof;
FIG. 3 is a bottom side view thereof;
FIG. 4 is a front view thereof;
FIG. 5 is a back view thereof;
FIG. 6 is a left side view thereof; and,
FIG. 7 is a right side view thereof.
The broken lines in the drawing depict environmental subject matter only and form no part of the claimed design.

1 Claim, 7 Drawing Sheets



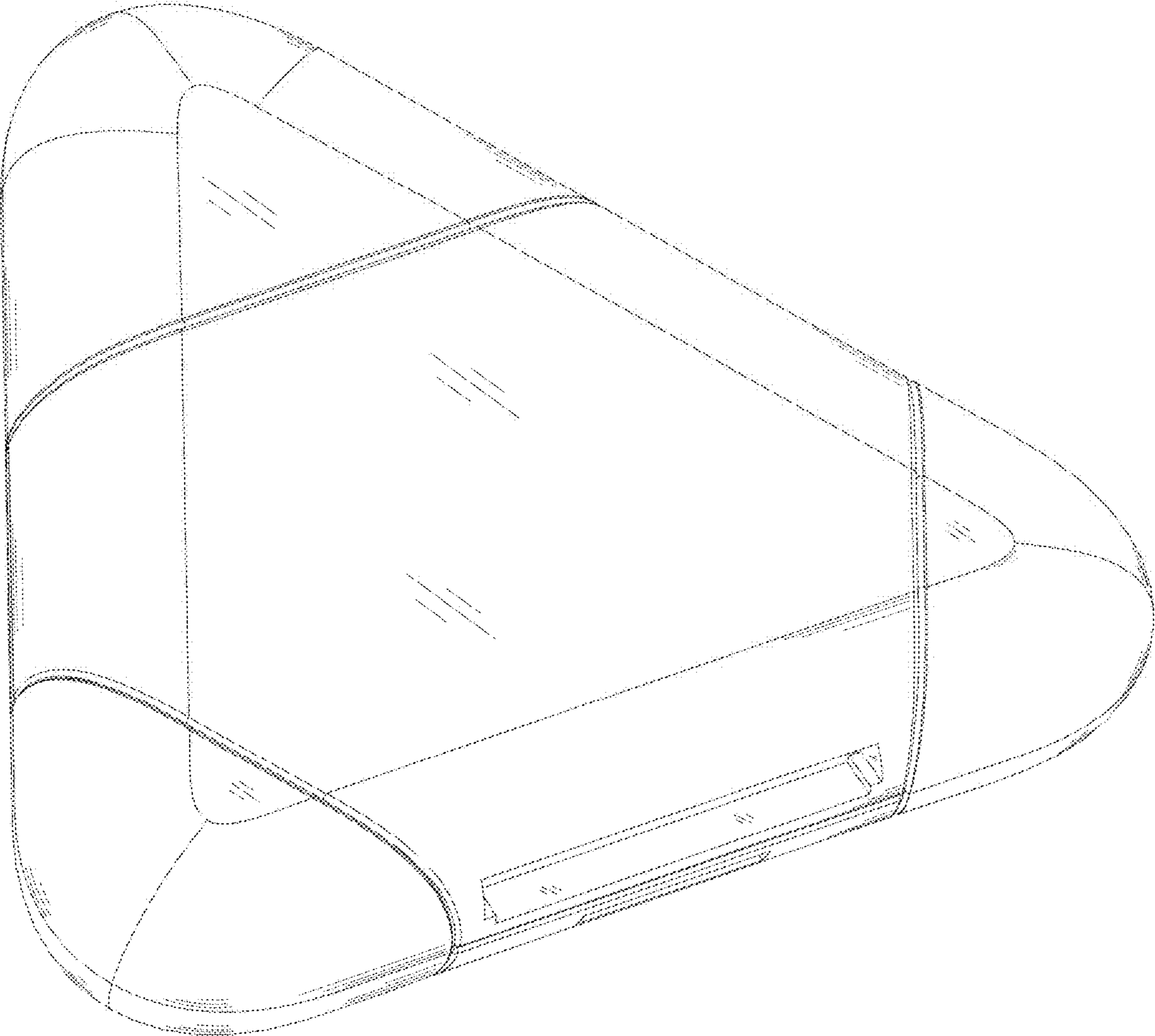


FIG 1

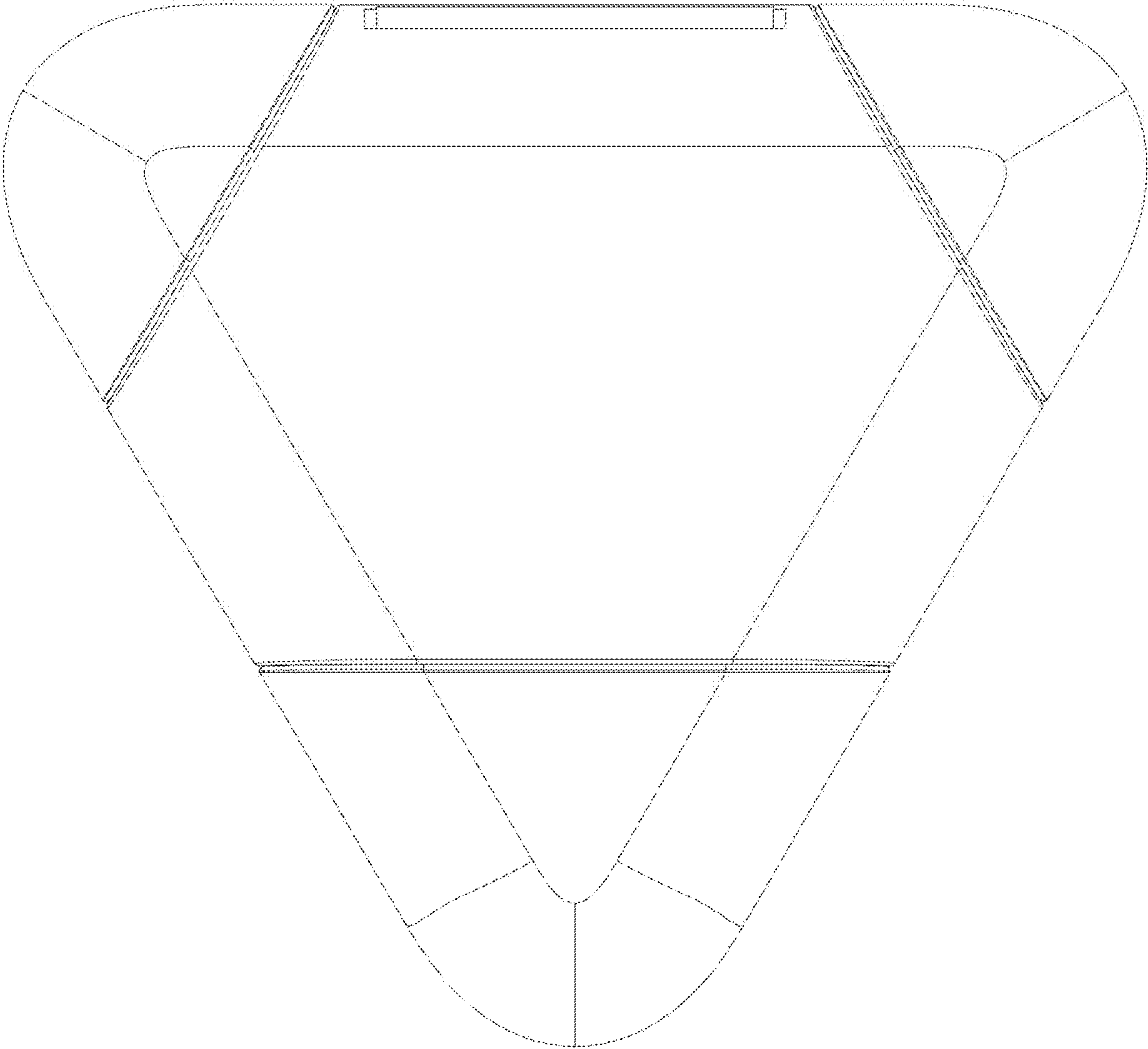


FIG 2

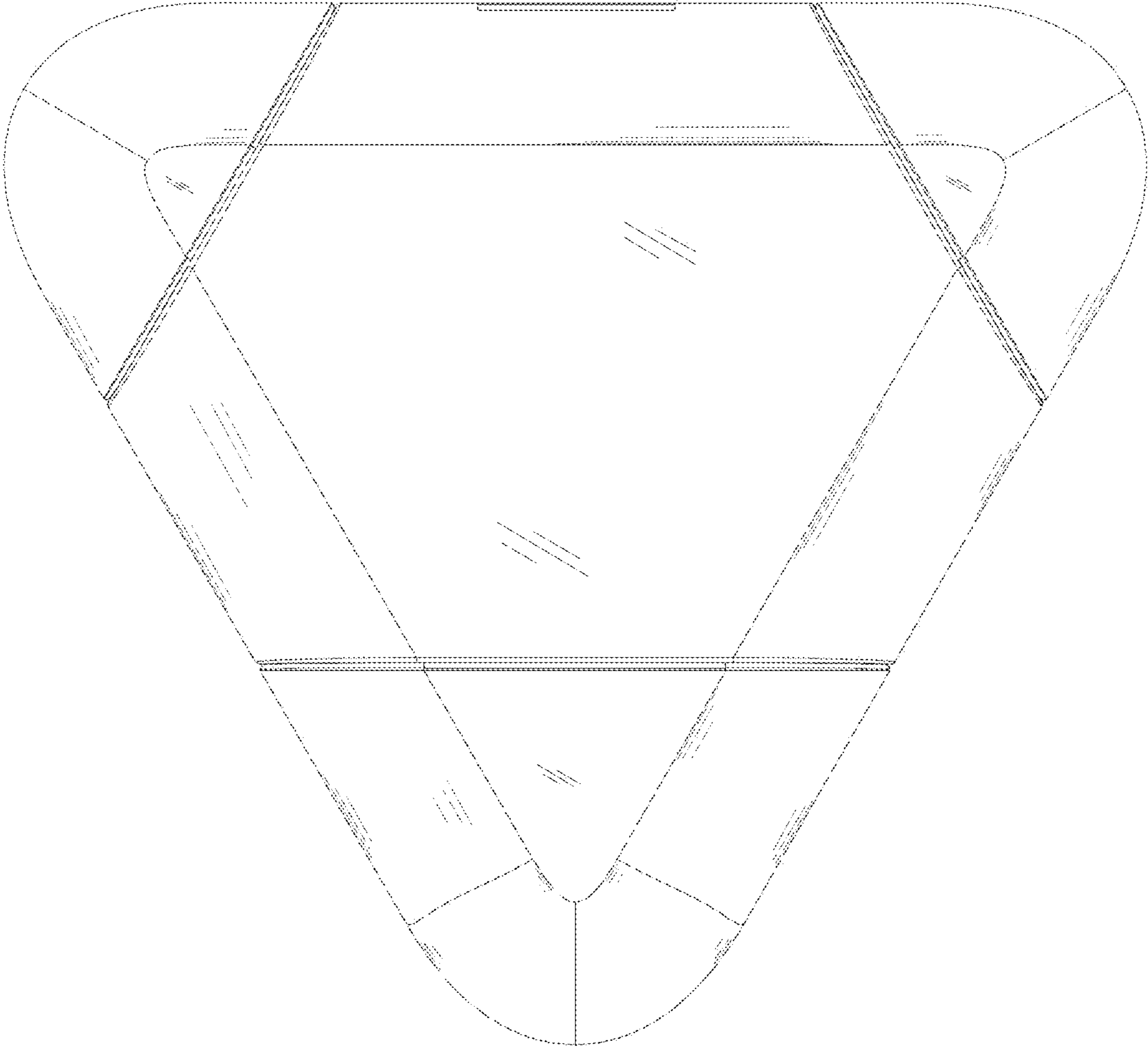


FIG 3

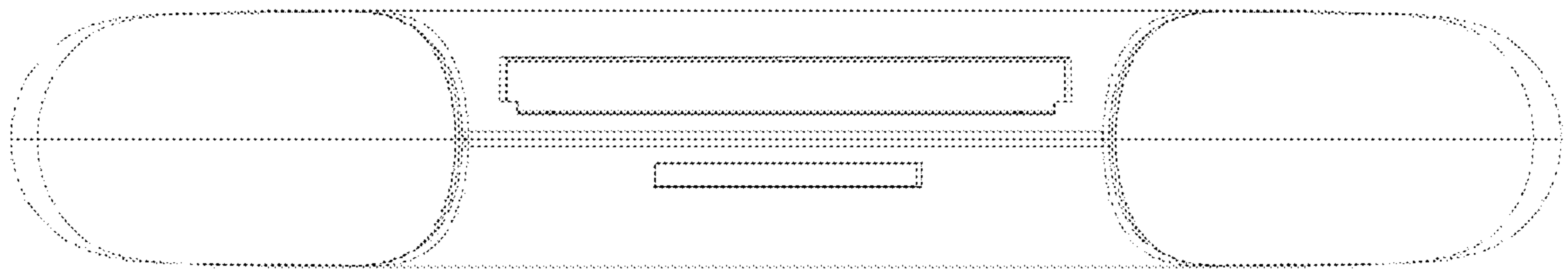


FIG 4

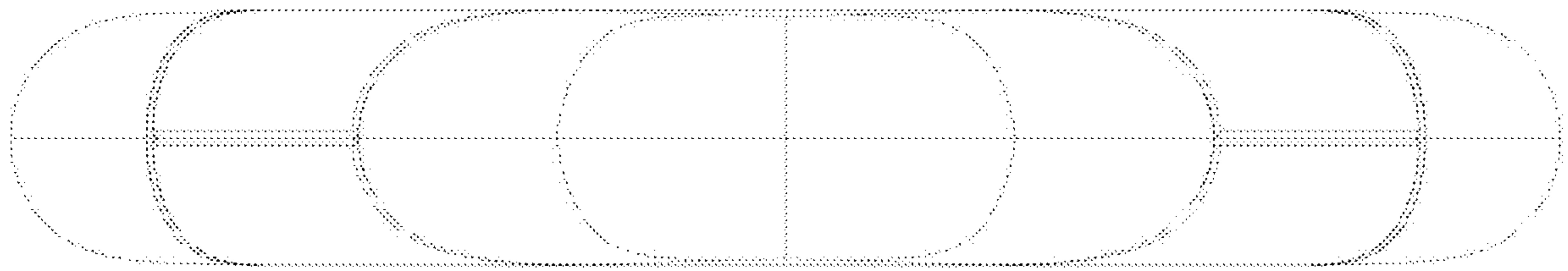


FIG 5

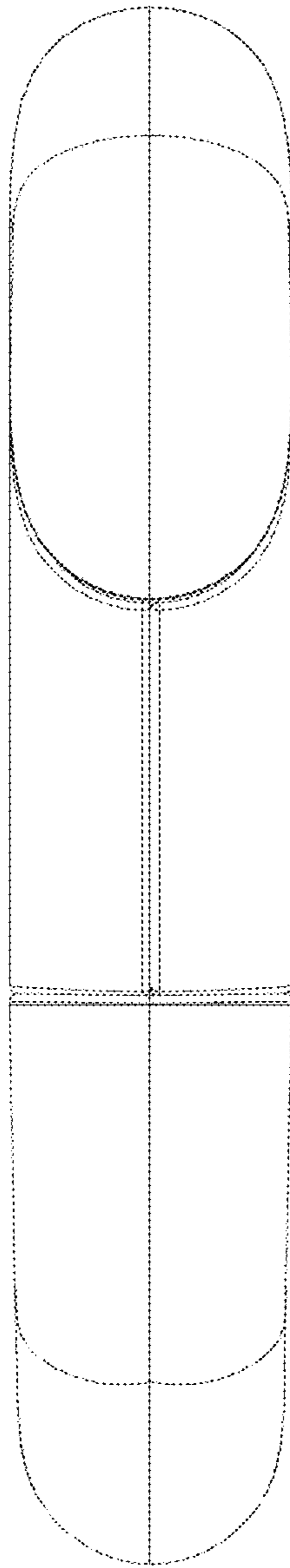


FIG 6

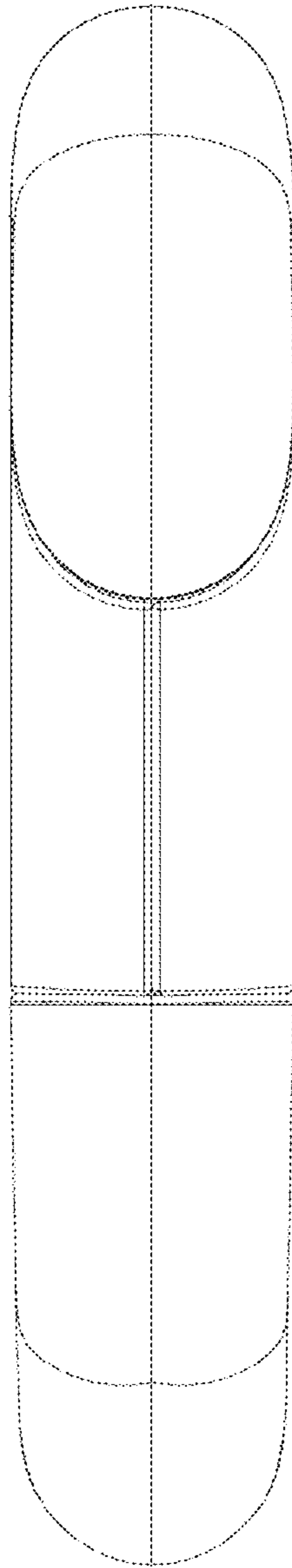


FIG 7