

US00D892796S

(12) **United States Design Patent** (10) **Patent No.:** **US D892,796 S**
Paul et al. (45) **Date of Patent:** **** Aug. 11, 2020**

(54) **FACEPACK FOR AN IRRIGATION CONTROL BOX**

(56) **References Cited**

(71) Applicant: **Hunter Industries, Inc.**, San Marcos, CA (US)
(72) Inventors: **Michael F. Paul**, San Diego, CA (US); **Stephen A. Sharp**, San Diego, CA (US)
(73) Assignee: **Hunter Industries, Inc.**, San Marcos, CA (US)
(**) Term: **15 Years**
(21) Appl. No.: **29/713,267**
(22) Filed: **Nov. 14, 2019**

U.S. PATENT DOCUMENTS

831,801 A	9/1906	Roberts	
2,041,850 A	5/1936	Melick	
3,921,254 A	11/1975	Foster, Jr. et al.	
3,981,599 A	9/1976	Koen	
4,455,711 A	6/1984	Anderson	
4,805,073 A	2/1989	Johnson	
4,863,062 A	9/1989	Holliday	
5,232,277 A	8/1993	Cassady et al.	
5,396,974 A	3/1995	Pedlar	
5,398,868 A	3/1995	Densen	
5,435,641 A	7/1995	Dumon Dupuis et al.	
5,724,704 A	3/1998	Seo	
5,886,868 A	3/1999	White	
6,233,784 B1	5/2001	Daoud	
D478,905 S *	8/2003	Byrne	D14/384
D511,113 S *	11/2005	Feldman	D10/104.1
D516,069 S *	2/2006	Kuroda	D14/384
D522,510 S *	6/2006	Su	D14/384
7,090,095 B2	8/2006	Schafer	

Related U.S. Application Data

(63) Continuation of application No. 16/115,481, filed on Aug. 28, 2018, now Pat. No. 10,498,115, which is a continuation of application No. 15/663,505, filed on Jul. 28, 2017, now Pat. No. 10,069,284.

(51) **LOC (12) Cl.** **14-02**

(52) **U.S. Cl.**
USPC **D14/384**

(58) **Field of Classification Search**
USPC D14/300-302, 313, 314, 341, 348-370, D14/383, 385, 432, 436, 496, 125, 135, D14/134, 155, 167, 168, 230, 231, 233, D14/235, 237, 240-242, 299; D10/65, D10/75, 78; D13/103, 149, 162, 184, D13/199; D18/4.4-4.6, 12.1, 56; 361/679.31-679.45, 752; 711/100, 115; 382/115, 124; 356/71; 235/380, 461, 235/382, 472.01, 472.02; D3/201, 273
CPC G06K 9/00006; G06K 7/0013; G06K 9/00026; G06F 21/00; G06Q 30/00
See application file for complete search history.

(Continued)

Primary Examiner — Austin Murphy

(74) *Attorney, Agent, or Firm* — Knobbe Martens Olson & Bear, LLP

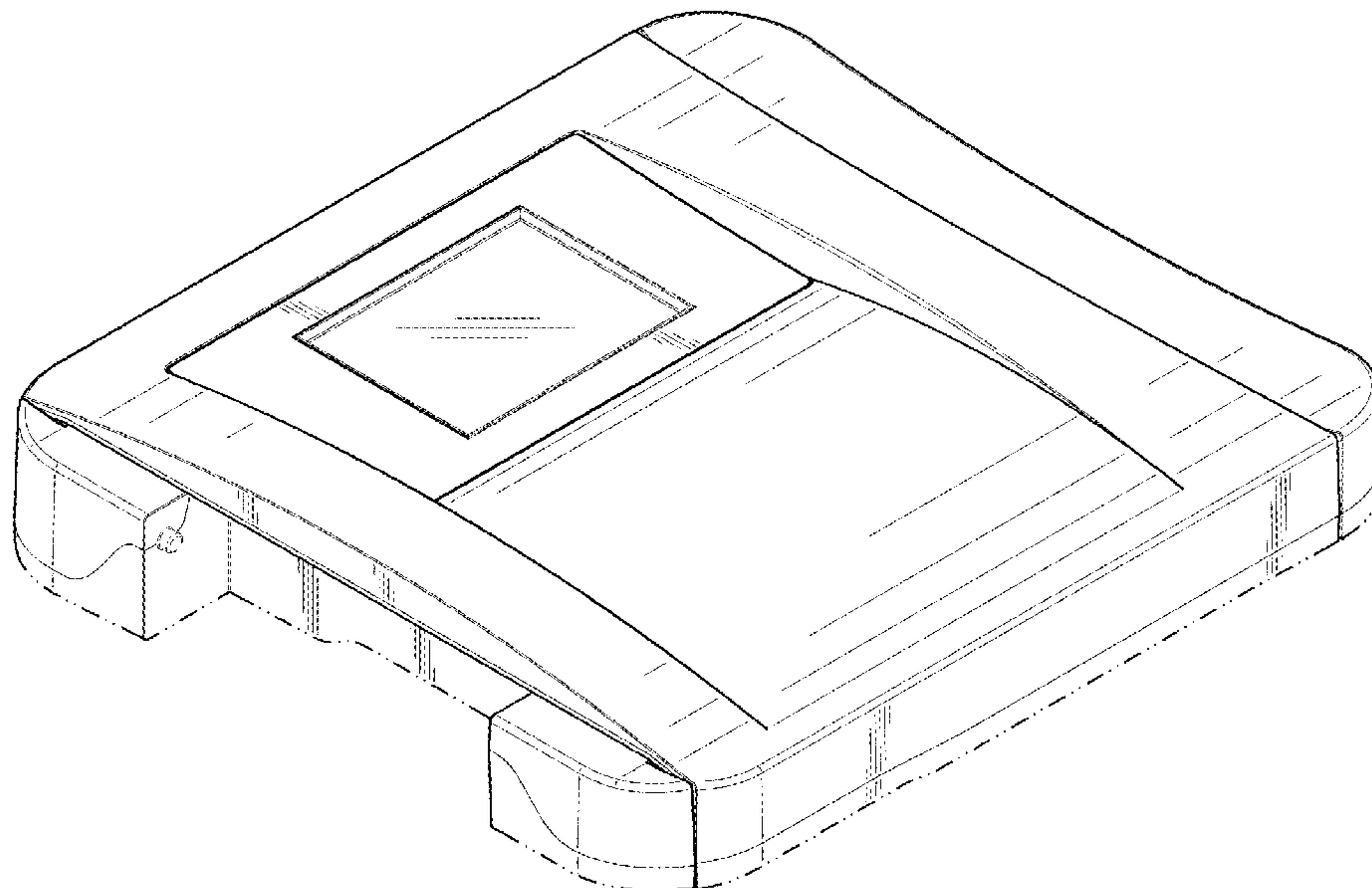
(57) **CLAIM**

The ornamental design for a facepack for an irrigation control box, as shown and described.

DESCRIPTION

FIG. 1 is a front, left, bottom perspective view of a first embodiment of a facepack embodying our new design; FIG. 2 is a bottom plan view thereof; FIG. 3 is a top plan view thereof; FIG. 4 is a right-side plan view thereof; FIG. 5 is a left-side plan view thereof; FIG. 6 is a front plan view thereof; and, FIG. 7 is a back-plan view thereof.

1 Claim, 7 Drawing Sheets



(56)

References Cited

U.S. PATENT DOCUMENTS

D542,291	S	*	5/2007	Kang	D14/384
7,225,058	B1		5/2007	Porter		
7,520,481	B2		4/2009	Jopling		
D593,559	S	*	6/2009	Lin	D14/384
D612,813	S	*	3/2010	Paul	D13/162
D613,255	S		4/2010	Paul		
7,953,517	B1		5/2011	Porter et al.		
D680,501	S		4/2013	Elliot et al.		
D691,968	S		10/2013	Schmuckle et al.		
8,867,194	B2		10/2014	Woytowitz et al.		
8,957,588	B1		2/2015	Ericksen et al.		
9,577,415	B1		2/2017	Veloskey		
D791,133	S	*	7/2017	Brownlee	D14/384
D797,682	S		9/2017	Sharp et al.		
D808,908	S	*	1/2018	Paul	D13/162
D810,948	S	*	2/2018	Wielunski	D24/186
10,069,284	B1	*	9/2018	Paul	A01G 25/165
D838,238	S		1/2019	Wu et al.		
D838,271	S	*	1/2019	Kaneko	D14/384
D853,973	S		7/2019	Sharp et al.		
D864,200	S	*	10/2019	Holman, IV	D14/384
2008/0250605	A1		10/2008	Park		
2014/0158394	A1		6/2014	Velasquez		

* cited by examiner

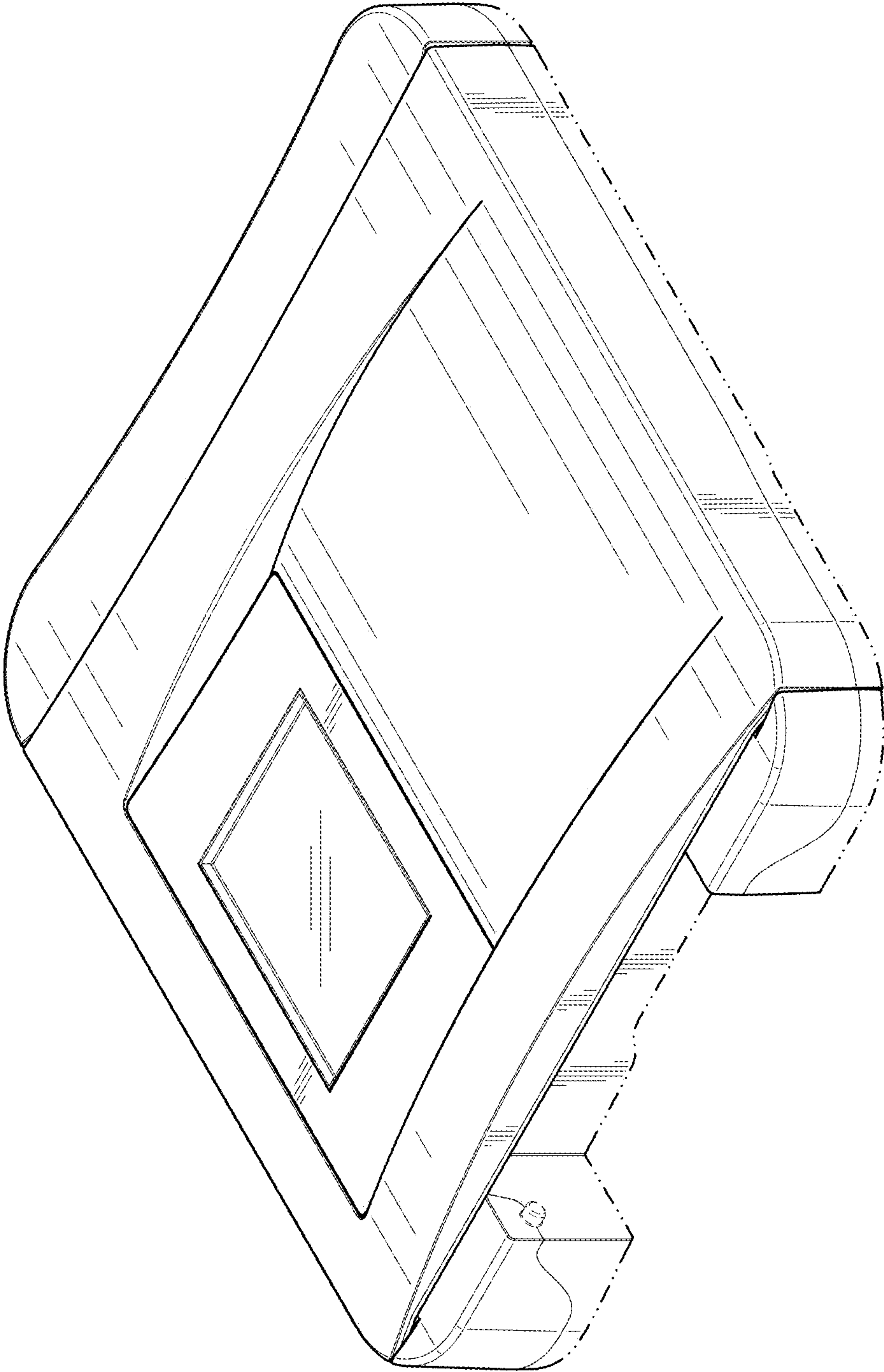


FIG. 1

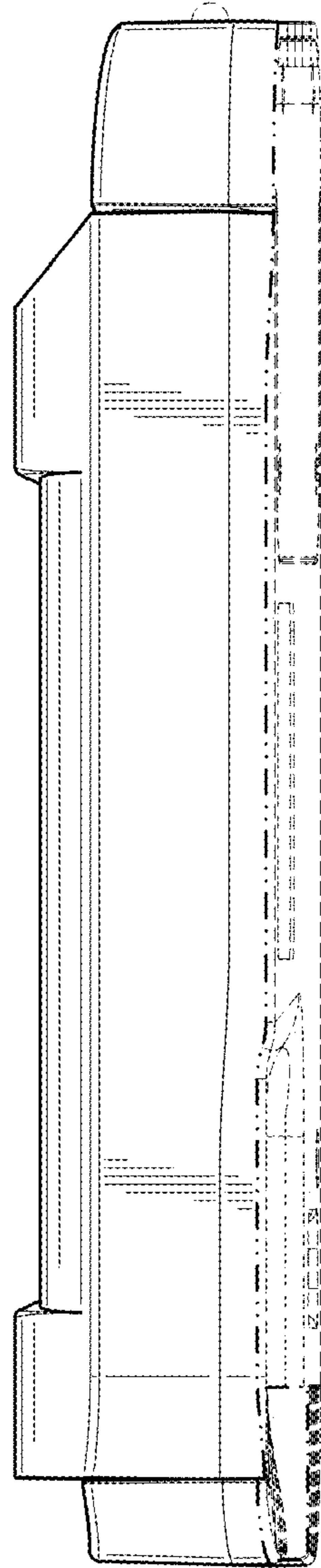


FIG. 2

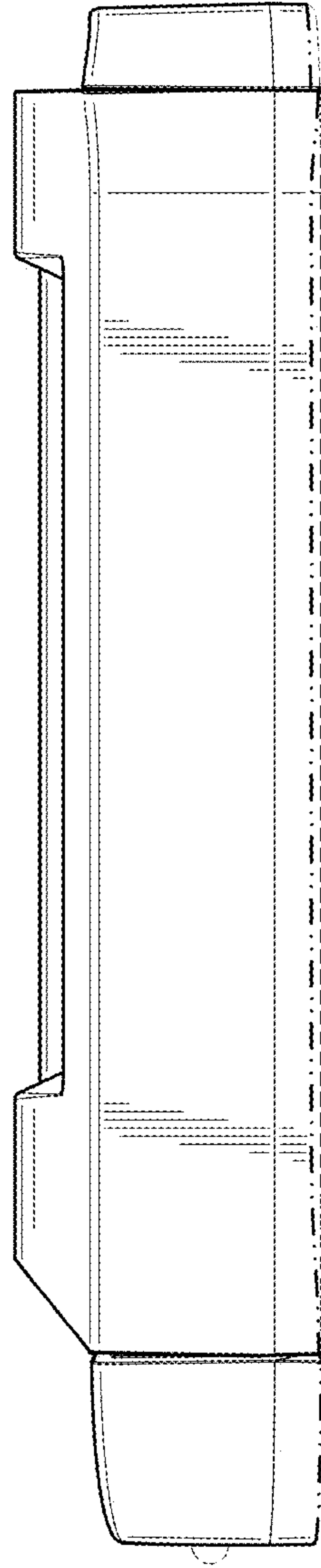


FIG. 3

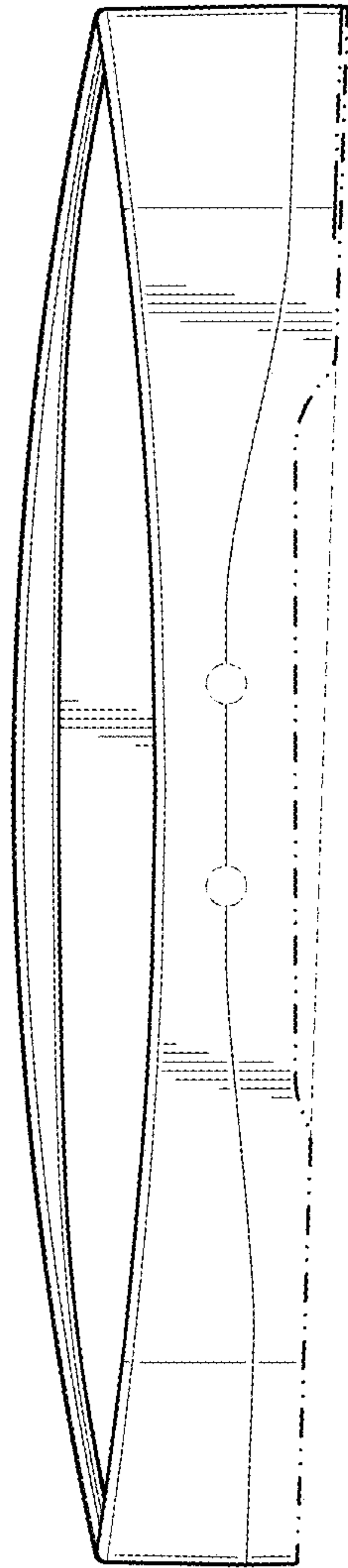


FIG. 4

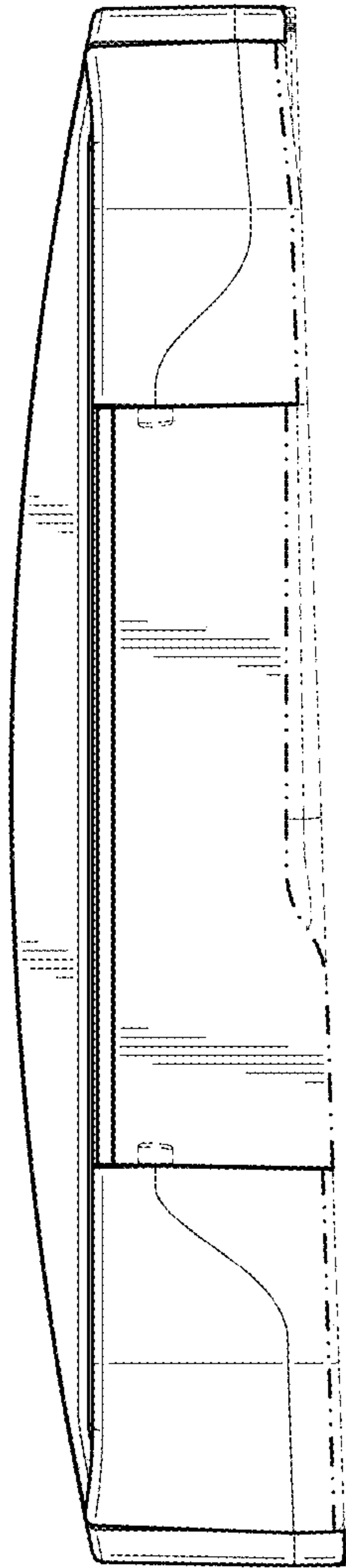


FIG. 5

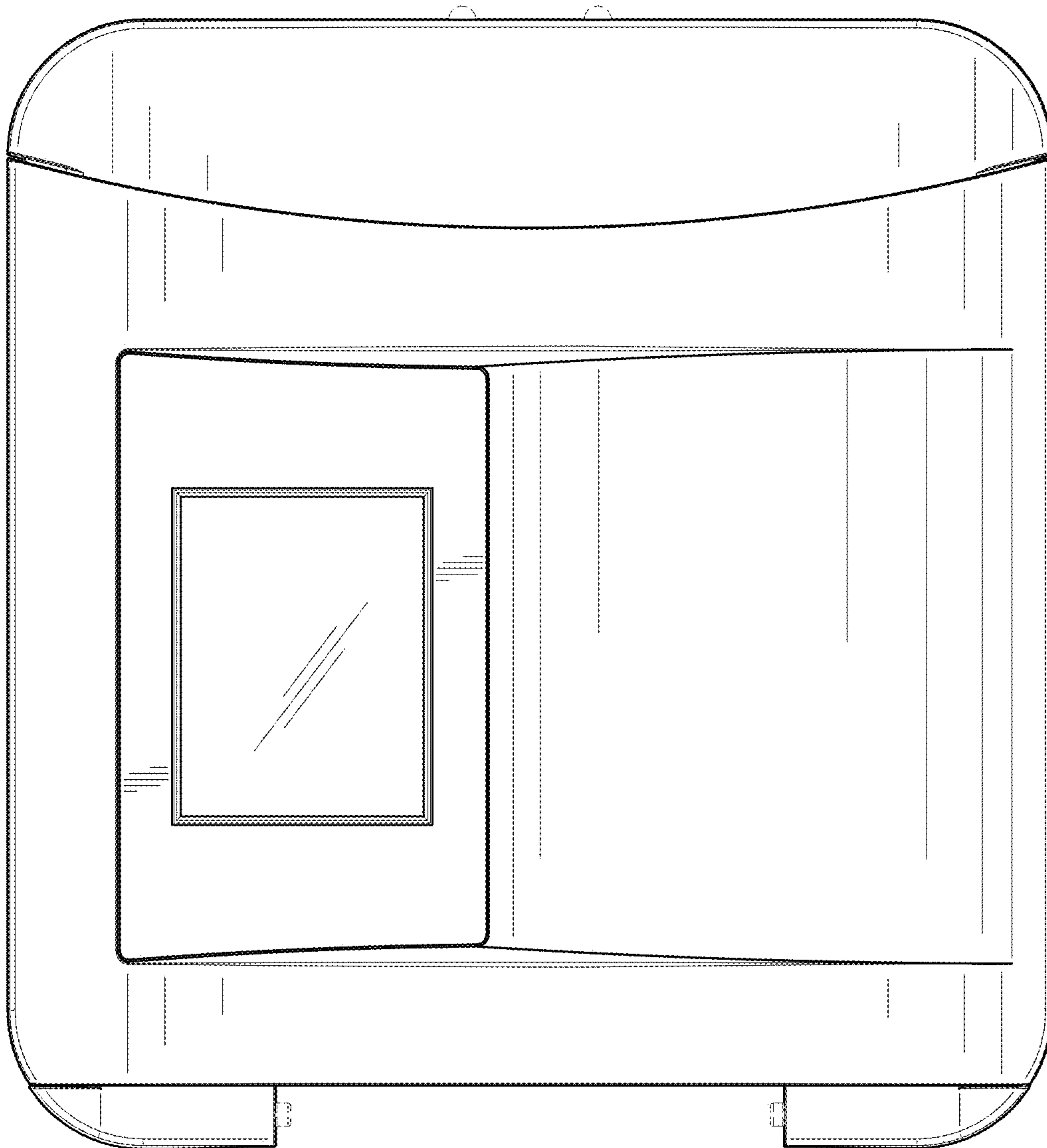


FIG. 6

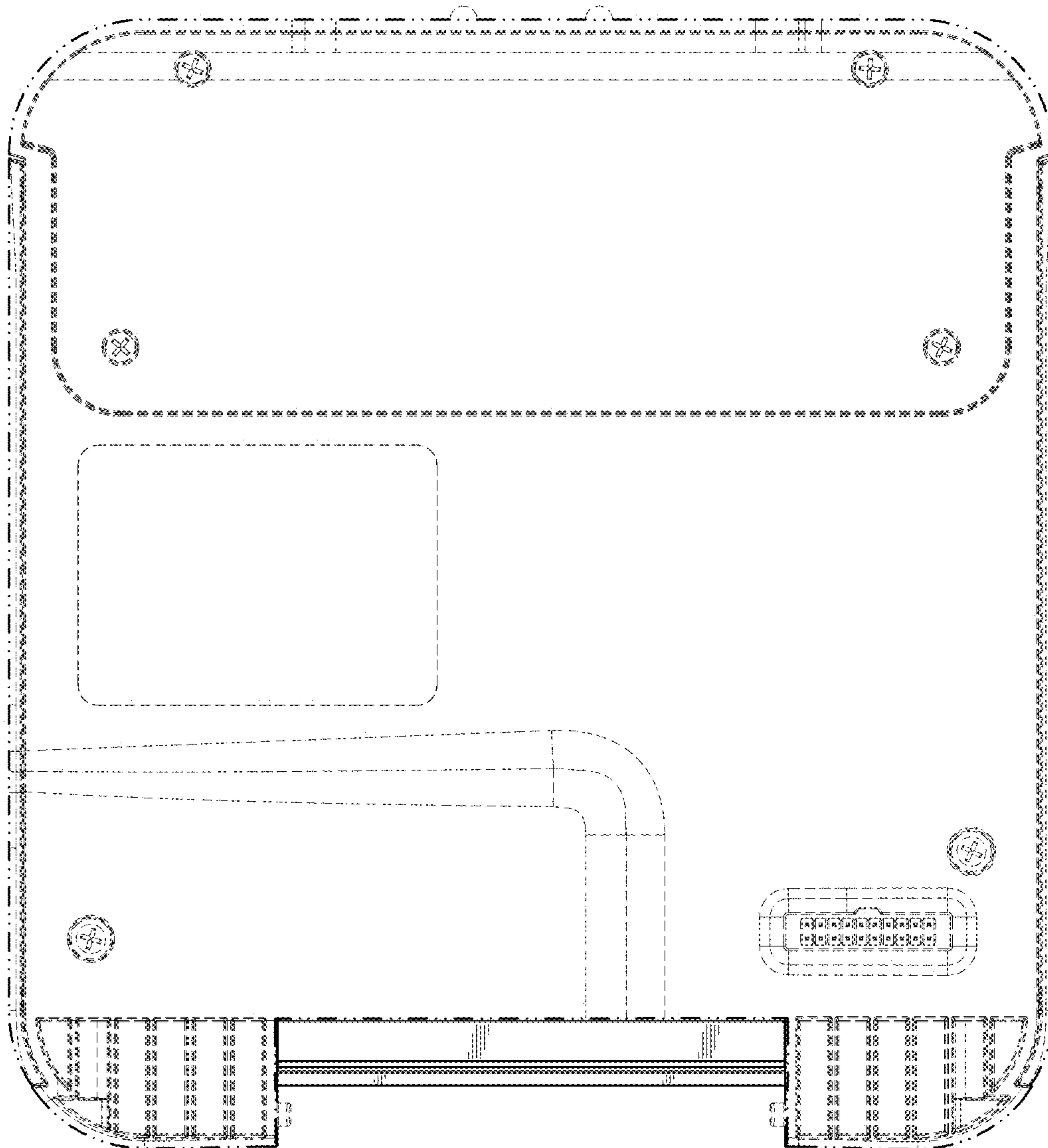


FIG. 7