

US00D892795S

(12) **United States Design Patent**
Johnson

(10) **Patent No.:** **US D892,795 S**

(45) **Date of Patent:** **** Aug. 11, 2020**

(54) **CARTRIDGE**

(71) Applicant: **Intelligent Fingerprinting Limited,**
Cambridge (GB)

(72) Inventor: **Jonathan Johnson,** Cambridge (GB)

(73) Assignee: **Intelligent Fingerprinting Limited**
(GB)

(**) Term: **15 Years**

(21) Appl. No.: **29/655,562**

(22) Filed: **Jul. 5, 2018**

(30) **Foreign Application Priority Data**

Jun. 7, 2018 (EM) 005301553

Jun. 7, 2018 (GB) 6036855

Jun. 7, 2018 (GB) 6036856

(51) **LOC (12) Cl.** **14-02**

(52) **U.S. Cl.**
USPC **D14/384; D14/383**

(58) **Field of Classification Search**

USPC D14/300-302, 313, 314, 341, 348-370,
D14/383, 385, 432, 436, 496, 125, 135,
D14/134, 155, 167, 168, 230, 231, 233,
D14/235, 237, 240-242, 299; D10/65,
D10/75, 78; D13/103, 149, 162, 184,
D13/199; D18/4.4-4.6, 12.1, 56;
361/679.31-679.45, 752; 711/100, 115;
382/115, 124; 356/71; 235/380, 461,
235/382, 472.01, 472.02; D3/201, 273
CPC G06K 9/00006; G06K 7/0013; G06K
9/00026; G06F 21/00; G06Q 30/00

See application file for complete search history.

(56) **References Cited**

U.S. PATENT DOCUMENTS

D466,119 S * 11/2002 Funahashi D14/384

D486,484 S * 2/2004 Bloomberg D14/138 R

D494,175 S * 8/2004 Kawasaki D14/384
D593,559 S * 6/2009 Lin D14/384
D616,438 S * 5/2010 Mugica D14/383
D616,439 S * 5/2010 Mugica D14/383
D741,862 S * 10/2015 Beroukhim D14/384
D771,043 S * 11/2016 Avetisov D14/384
D795,255 S * 8/2017 Avetisov D14/384

(Continued)

FOREIGN PATENT DOCUMENTS

EM 002904243 9/2017

Primary Examiner — Austin Murphy

(74) *Attorney, Agent, or Firm* — Saidman DesignLaw
Group, LLC

(57) **CLAIM**

The ornamental design for a cartridge, as shown and
described.

DESCRIPTION

FIG. 1 is a perspective view of a cartridge showing my new
design;

FIG. 2 is a front view thereof;

FIG. 3 is a rear view thereof;

FIG. 4 is a top view thereof;

FIG. 5 is a bottom view thereof;

FIG. 6 is a right side view thereof;

FIG. 7 is a left side view thereof;

FIG. 8 is a perspective view thereof in an alternate position;

FIG. 9 is a front view thereof;

FIG. 10 is a rear view thereof;

FIG. 11 is a top view thereof;

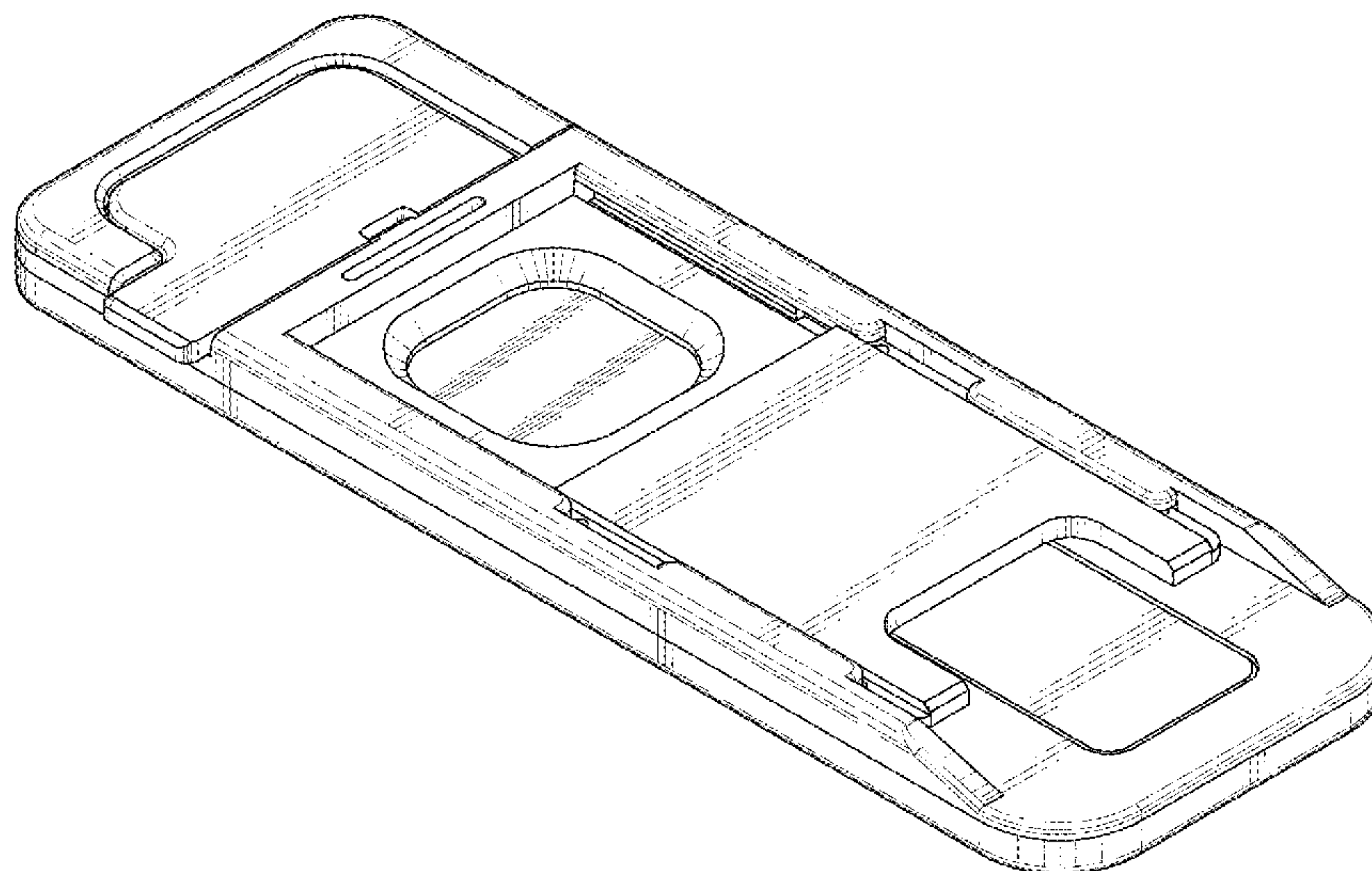
FIG. 12 is a bottom view thereof;

FIG. 13 is a right side view thereof; and,

FIG. 14 is a left side view thereof.

The broken lines illustrate structure or features which form
no part of the claimed design.

1 Claim, 14 Drawing Sheets



(56)

References Cited

U.S. PATENT DOCUMENTS

D821,396 S * 6/2018 Kumar D14/384
D838,271 S * 1/2019 Kaneko D14/384

* cited by examiner

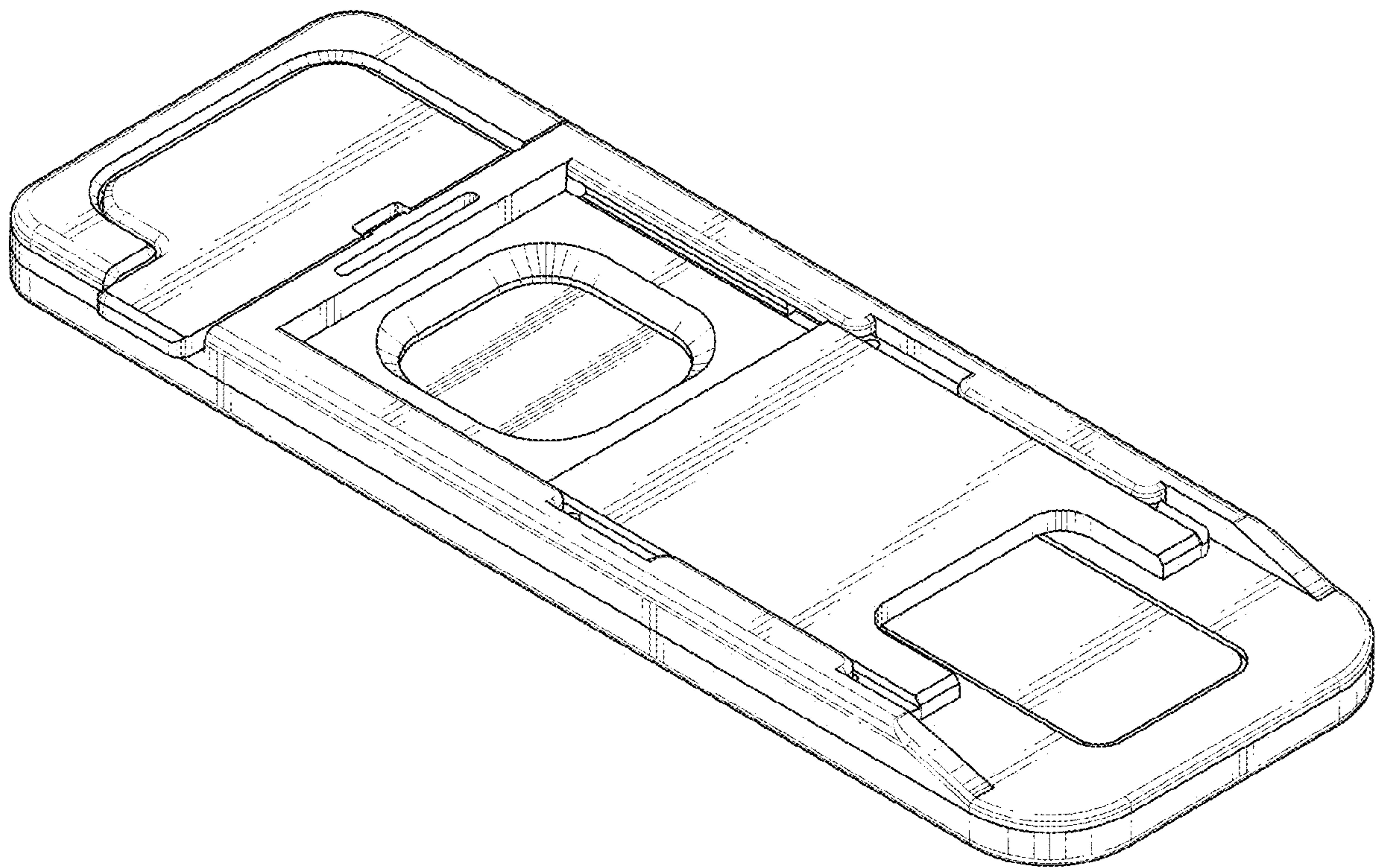


FIG. 1

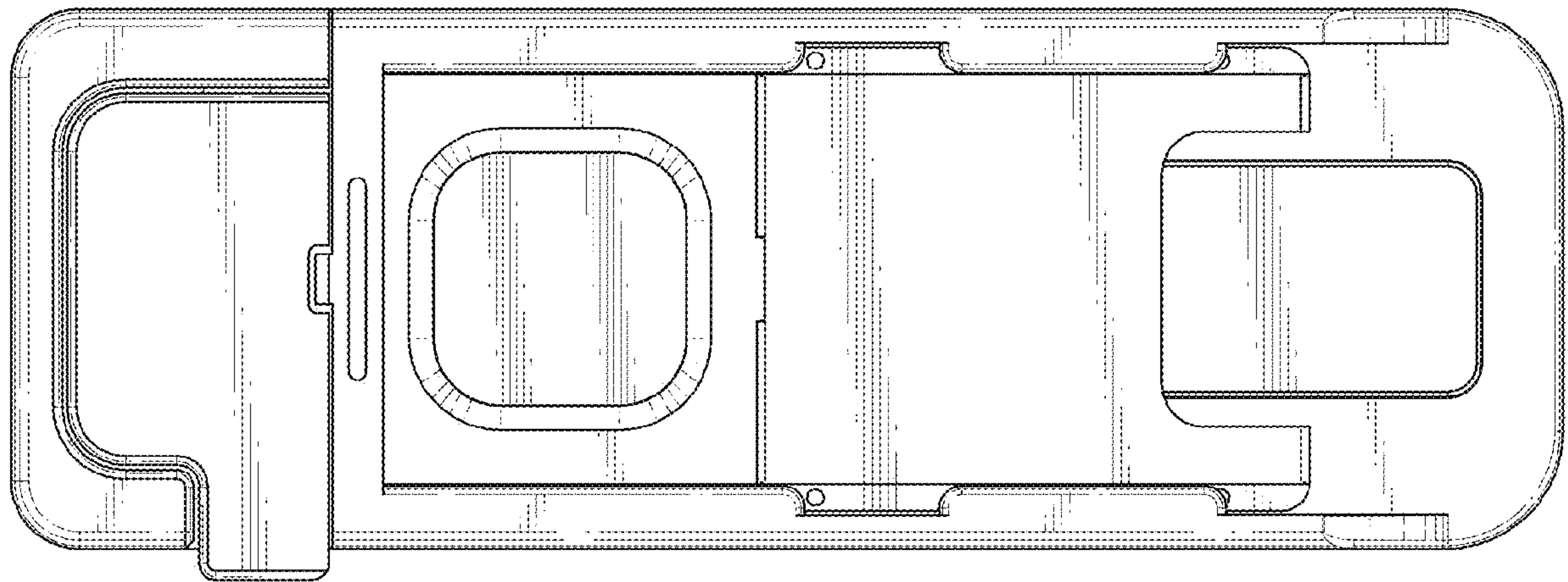


FIG. 2

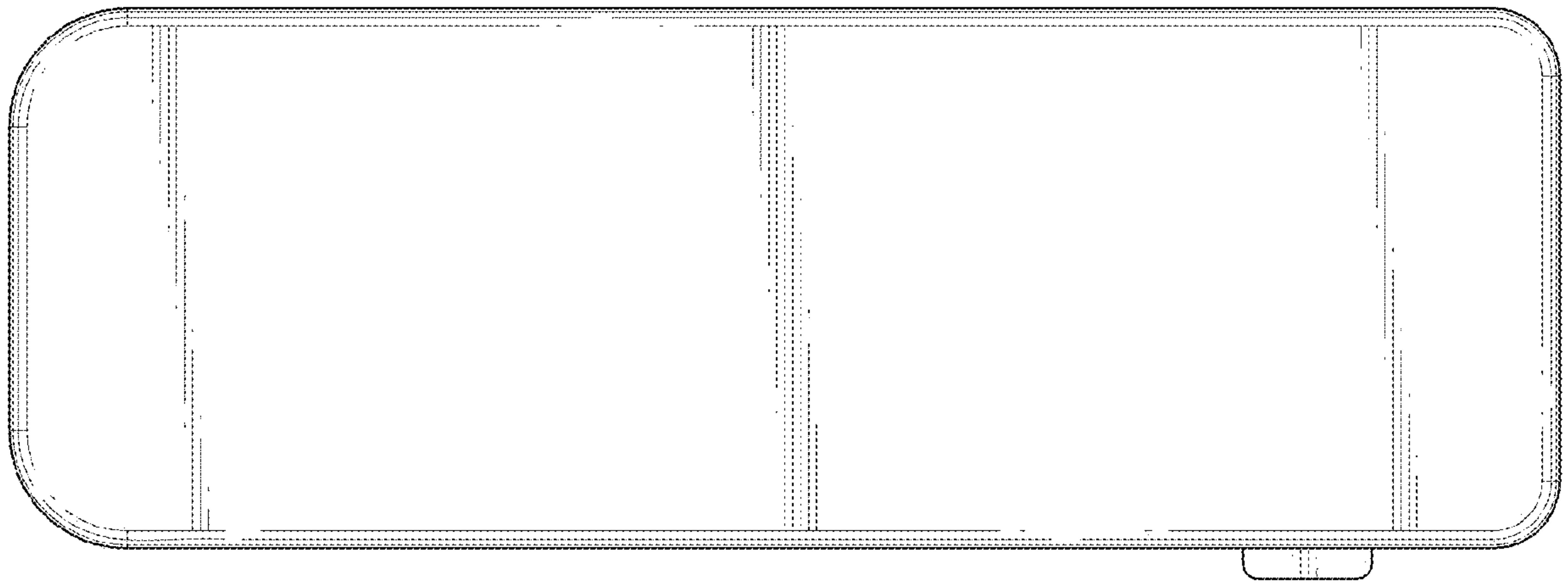


FIG. 3

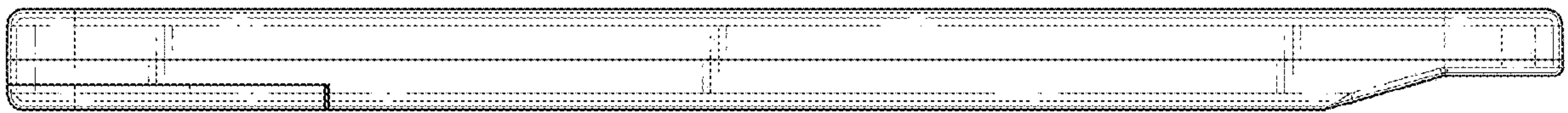


FIG. 4

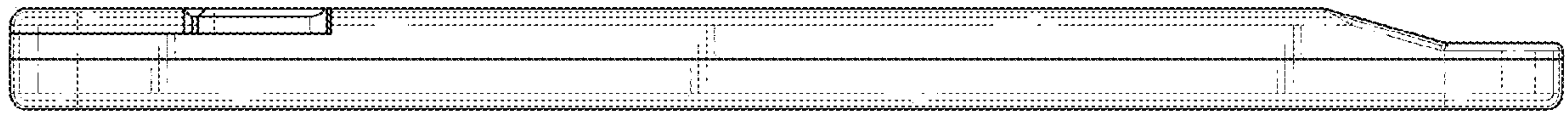


FIG. 5

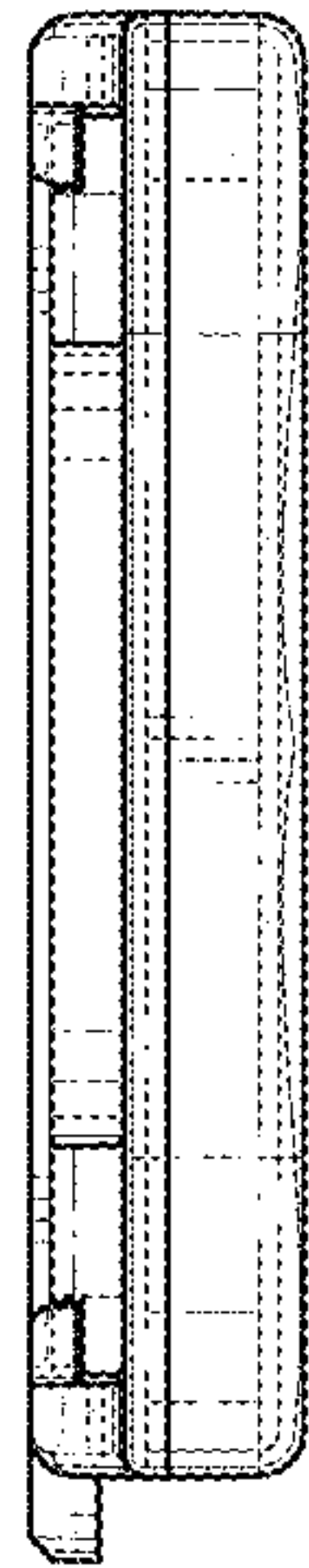


FIG. 6

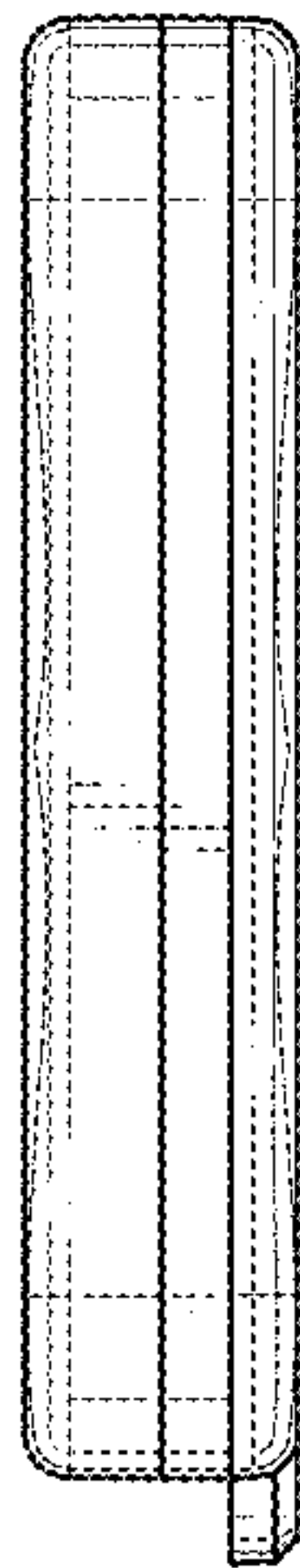


FIG. 7

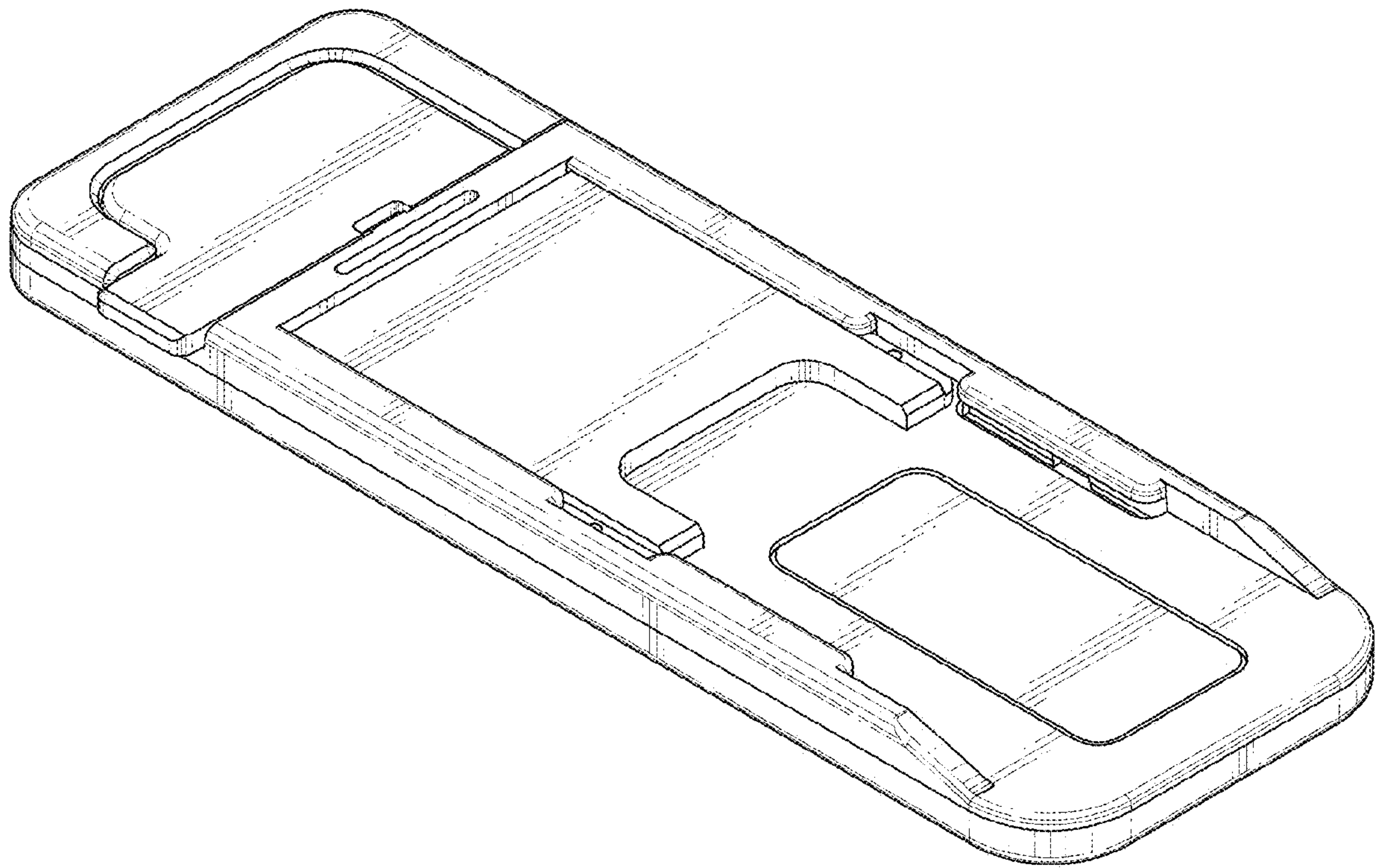


FIG. 8

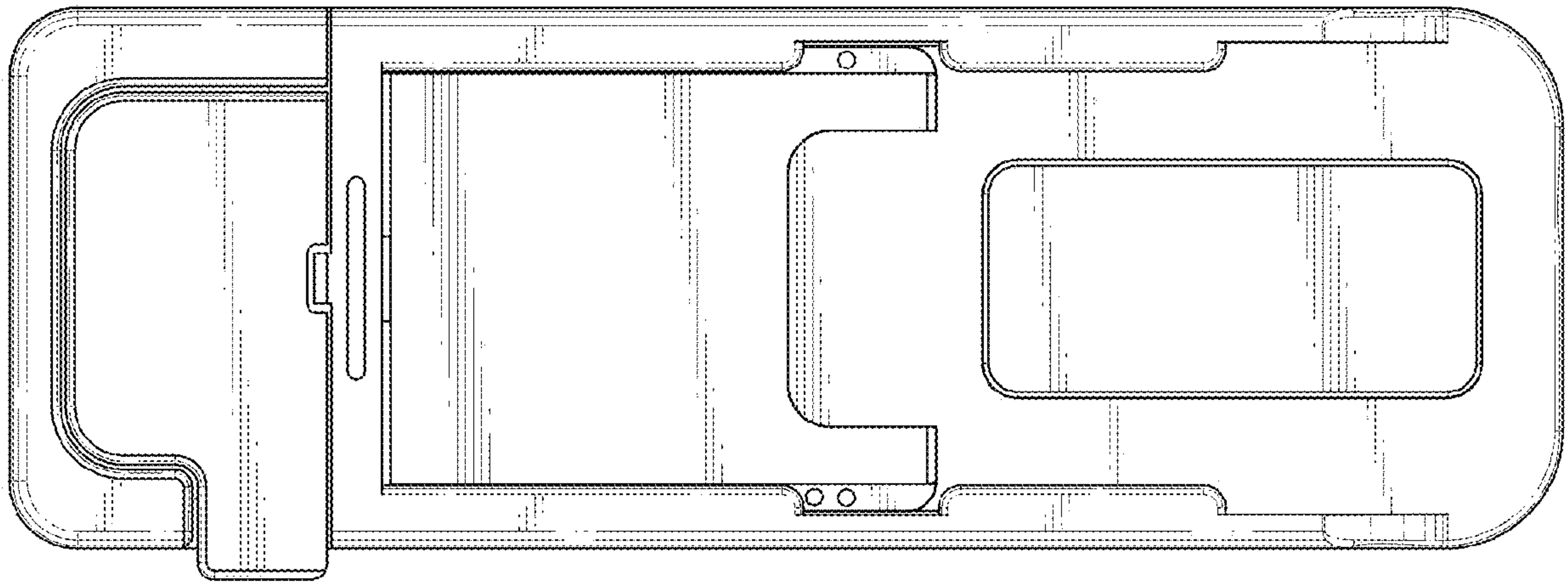


FIG. 9

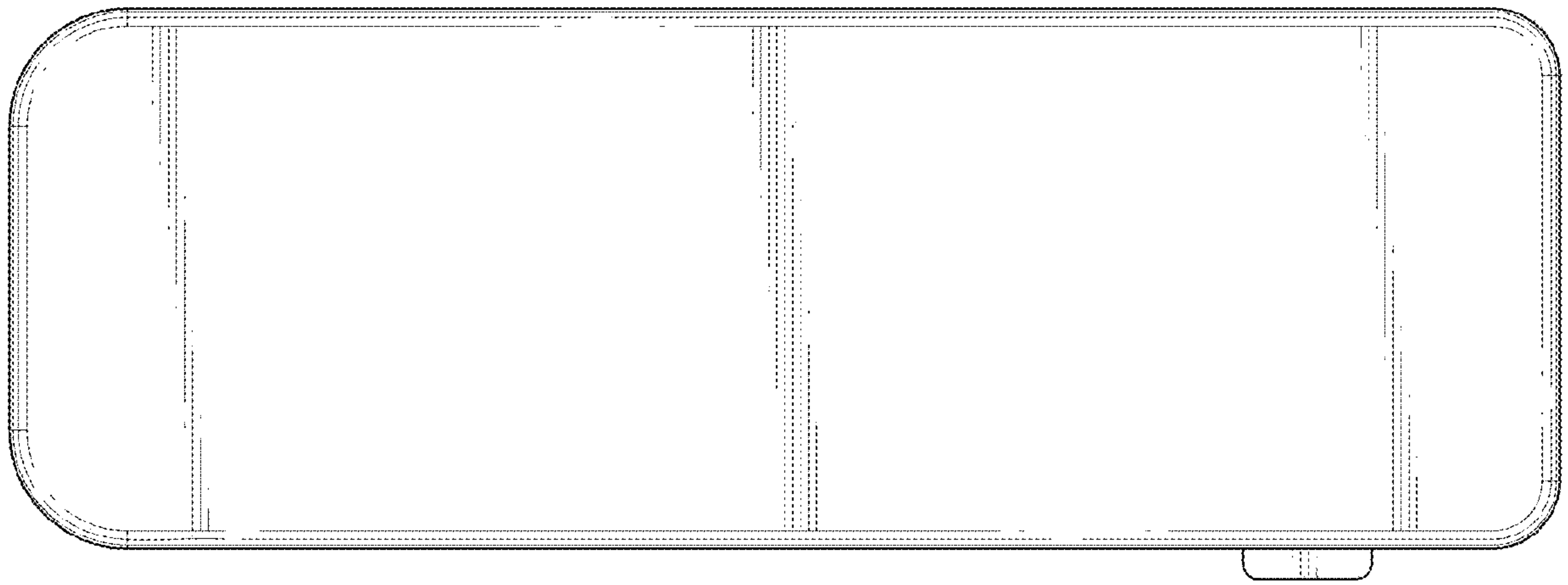


FIG. 10

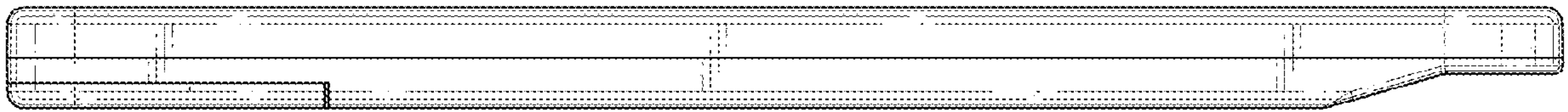


FIG. 11

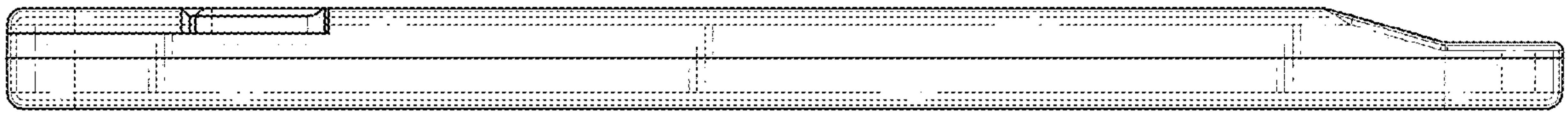


FIG. 12



FIG. 13



FIG. 14