



US00D892794S

(12) **United States Design Patent** (10) **Patent No.:** **US D892,794 S**
Koo (45) **Date of Patent:** **** Aug. 11, 2020**

(54) **DISPLAY DEVICE HAVING TRANSPARENT DISPLAY BUTTONS**

D383,483 S * 9/1997 Ho D10/2
D389,762 S * 1/1998 Yorkey D10/104.1
D390,542 S * 2/1998 Fushiya D14/387

(Continued)

(71) Applicant: **GTT CO., LTD.**, Paju-si, Gyeonggi-do (KR)

FOREIGN PATENT DOCUMENTS

(72) Inventor: **Nam Kyu Koo**, Paju-si (KR)

JP D1326608 * 4/2008

(73) Assignee: **GTT CO., LTD.**, Paju-si, Gyeonggi-do (KR)

OTHER PUBLICATIONS

(**) Term: **15 Years**

Series 1 Button Display, GTT, gtt.co.kr, author not listed, published Sep. 17, 2018 per wayback machine © GTT Co., Ltd., online, site visited Jun. 16, 2019. Available from Internet, URL: <http://gtt.co.kr/en/product/casino.php> (Year: 2018).*

(Continued)

(21) Appl. No.: **29/635,050**

(22) Filed: **Jan. 26, 2018**

(51) **LOC (12) Cl.** **14-02**

(52) **U.S. Cl.**
USPC **D14/374**

(58) **Field of Classification Search**
USPC D14/150, 247, 320, 331, 333, 346, 374,
D14/387, 390-399, 429, 455, 456;
D10/52-53, 106.1, 106.95, 123, 125;
341/22-23
CPC G06F 1/16; G06F 1/1616; H01R 35/02
See application file for complete search history.

Primary Examiner — Marissa J Cash
Assistant Examiner — Altaira J Swangin
(74) *Attorney, Agent, or Firm* — Novick, Kim & Lee, PLLC; Jae Youn Kim; Hyun Woo Shin

(57) **CLAIM**

I claim, the ornamental design for a display device having transparent display buttons, as shown and described.

DESCRIPTION

(56) **References Cited**

U.S. PATENT DOCUMENTS

D265,648 S * 8/1982 Fukushima D14/247
D265,735 S * 8/1982 Fukushima D14/247
D270,637 S * 9/1983 Fukushima D14/247
D281,606 S * 12/1985 Nuttall D14/346
D282,663 S * 2/1986 Scheid D14/346
D296,770 S * 7/1988 Lloyd D10/102
D320,410 S * 10/1991 Gotham D13/162
D341,354 S * 11/1993 Holterman D13/162.1
D354,451 S * 1/1995 Burrell D10/103
D364,878 S * 12/1995 Green D14/157
D371,345 S * 7/1996 Martino D14/150
D372,704 S * 8/1996 Nelson D14/399
D380,737 S * 7/1997 Weir D13/162

FIG. 1 is a top, front, right perspective view of a display device having transparent display buttons showing my new design;

FIG. 2 is a top, rear, right perspective view thereof;

FIG. 3 is a front elevational view thereof;

FIG. 4 is a rear elevational view thereof;

FIG. 5 is a left side elevational view thereof;

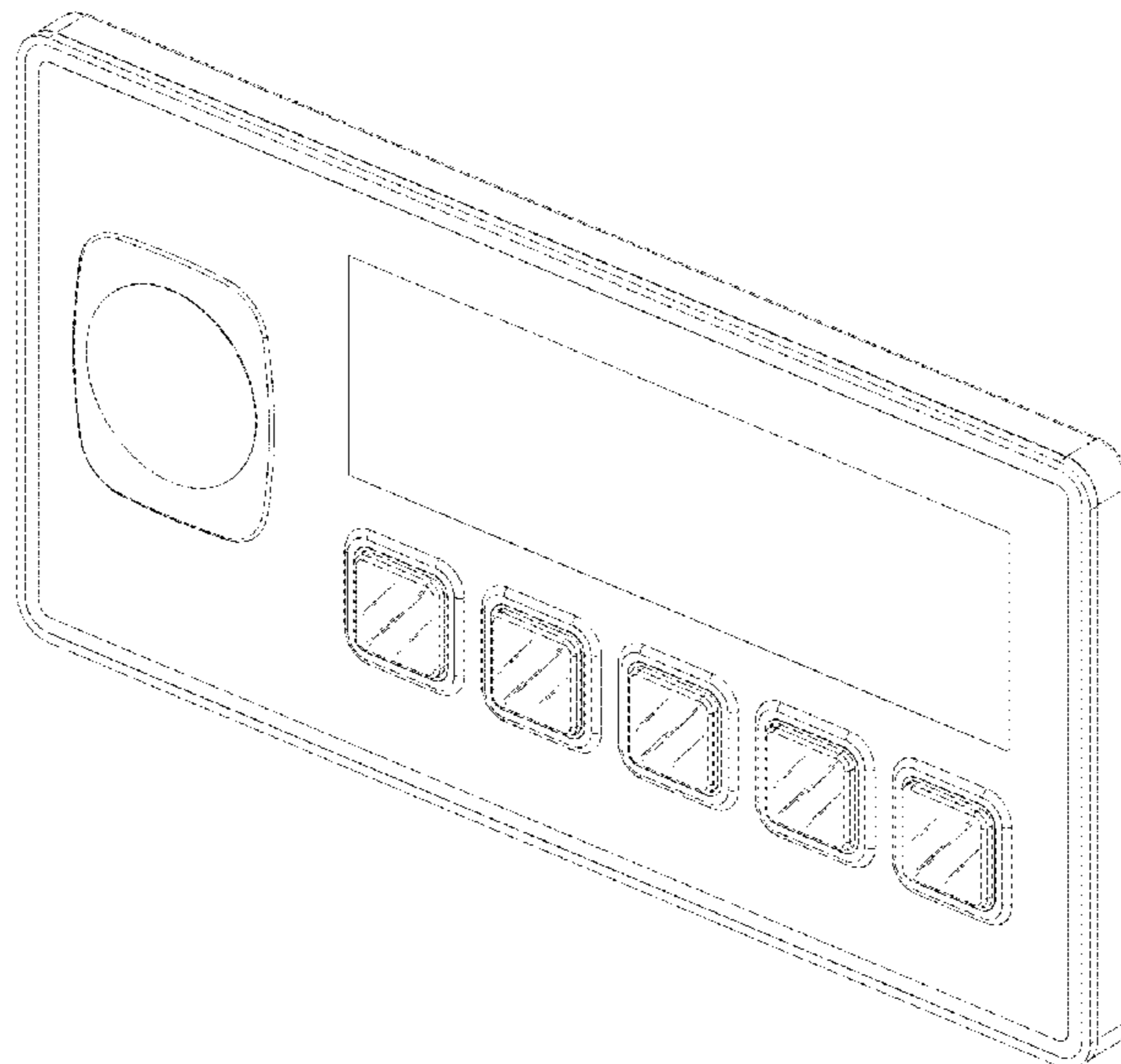
FIG. 6 is a right side elevational view thereof;

FIG. 7 is a top plan view thereof; and,

FIG. 8 is a bottom plan view thereof.

The broken lines shown in the drawings show portions of the display device having transparent display buttons which form no part of the claimed design.

1 Claim, 8 Drawing Sheets



(56)

References Cited

U.S. PATENT DOCUMENTS

D393,834 S * 4/1998 Margalit D14/240
 D426,833 S * 6/2000 Vanelli D14/387
 D431,196 S * 9/2000 Godfrey D10/40
 D431,199 S * 9/2000 Bennett D10/103
 D432,934 S * 10/2000 Simbeck D10/100
 D464,989 S * 10/2002 Bodum D18/7
 D518,051 S * 3/2006 Castro D14/387
 D532,006 S * 11/2006 Kim D14/258
 D541,795 S * 5/2007 Kimura D14/258
 7,322,759 B2 * 1/2008 Rak G06F 3/0219
 341/22
 D562,318 S * 2/2008 Ward D14/374
 D613,733 S * 4/2010 Iwamoto D14/258
 D615,595 S * 5/2010 Williamson D14/496
 D627,829 S * 11/2010 Williamson D14/496
 D658,645 S * 5/2012 Sugita D14/258
 8,411,038 B2 * 4/2013 Adams H01H 11/0056
 200/341
 D689,785 S * 9/2013 Miller D10/106.1
 D698,781 S * 2/2014 Jun D14/341
 D716,295 S * 10/2014 Champ D14/346
 D726,724 S * 4/2015 Wahlqvist D14/390
 D729,089 S * 5/2015 Phillips D10/103
 D729,090 S * 5/2015 Phillips D10/103
 D730,221 S * 5/2015 Phillips D10/103
 9,024,917 B2 * 5/2015 Eriksson G02B 6/0091
 345/102

D734,191 S * 7/2015 Phillips D10/103
 D759,014 S * 6/2016 Chang D14/371
 D761,741 S * 7/2016 Santiago D13/162
 D775,121 S * 12/2016 Suzuki D14/258
 D780,605 S * 3/2017 Chen D10/49
 D786,250 S * 5/2017 Sherry D14/392
 D795,241 S * 8/2017 Chen D14/258
 D801,939 S * 11/2017 Makela D13/162
 D816,081 S * 4/2018 Rosenberg D14/390
 D827,470 S * 9/2018 Lee D10/106.1
 D830,212 S * 10/2018 Holland D10/94
 D837,666 S * 1/2019 Butler D10/49
 D863,990 S * 10/2019 Hu D10/52
 D874,960 S * 2/2020 Miller D10/106.1
 D877,737 S * 3/2020 Allgaier D14/374
 10,585,457 B2 * 3/2020 Park H01L 27/323
 2014/0179429 A1 * 6/2014 Okazaki G07F 17/3209
 463/31

OTHER PUBLICATIONS

Stream Deck, Elgato, windowscentral.com, published by Jez Corden on May 16, 2017 © 2020 Mobile Nations, online, site visited Jan. 2, 2020. Available from Internet, URL: <https://www.windowscentral.com/elgato-stream-deck-critical-must-have-gadget-both-pro-and-hobby-streamers> (Year: 2017).*

* cited by examiner

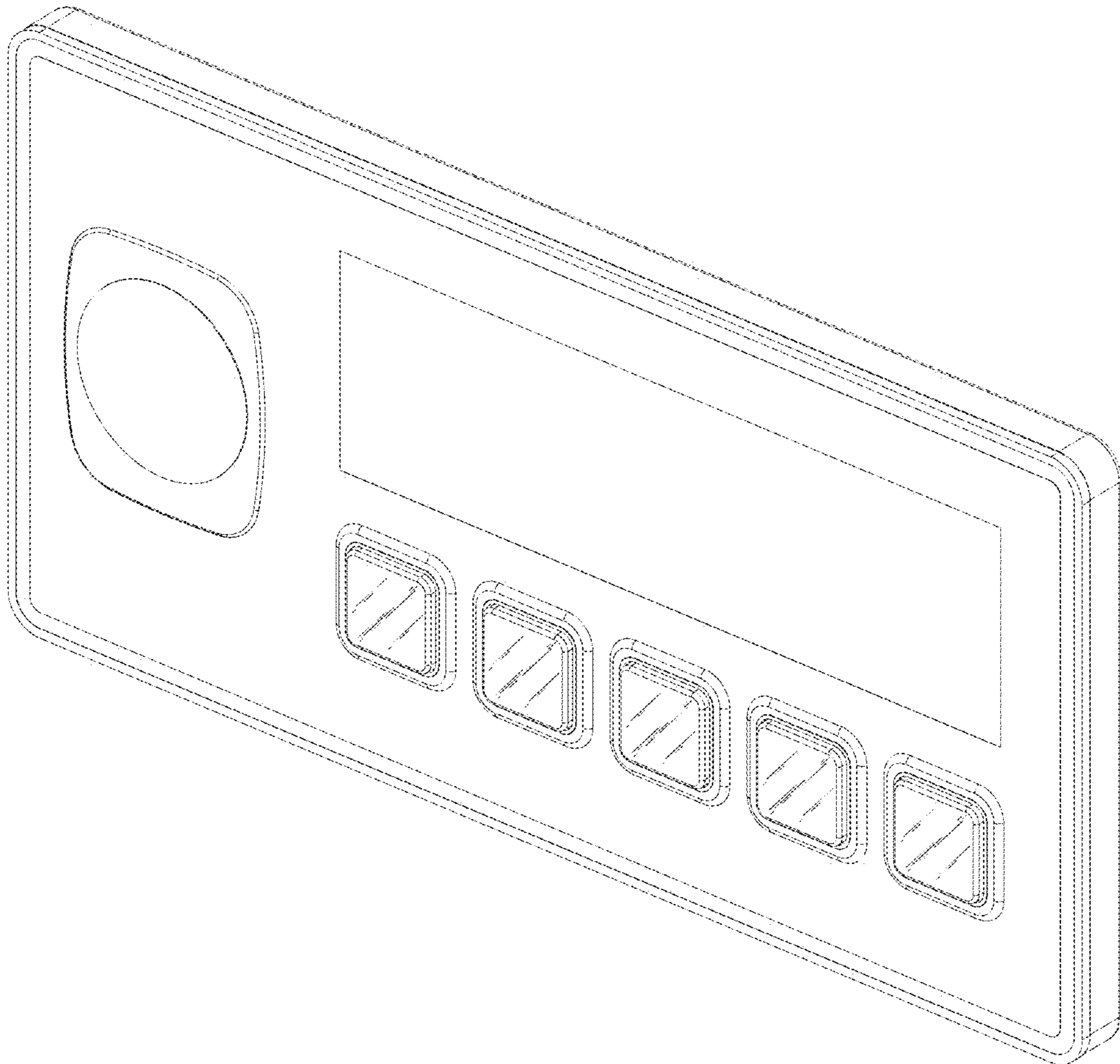


FIG. 1

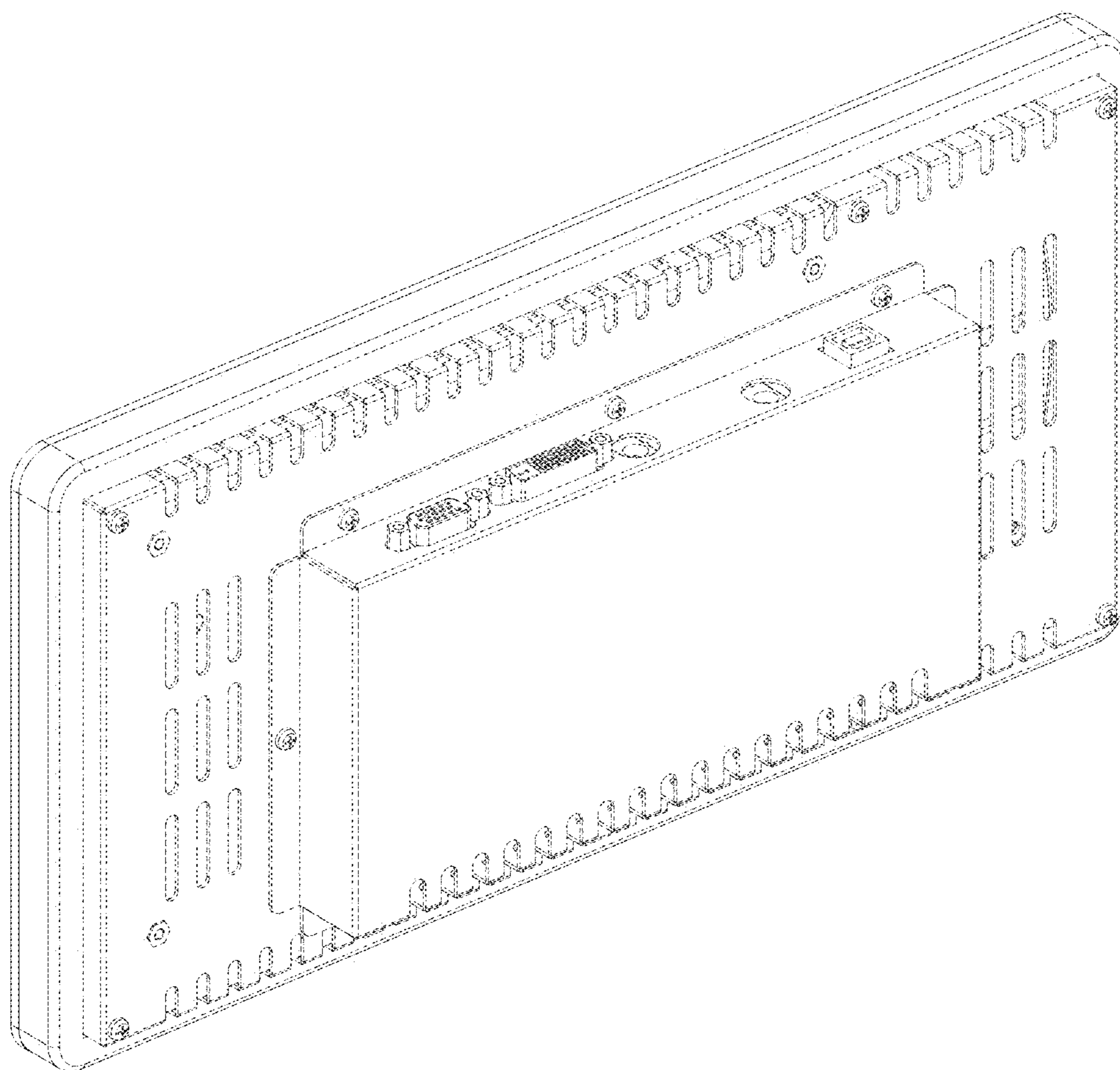


FIG. 2

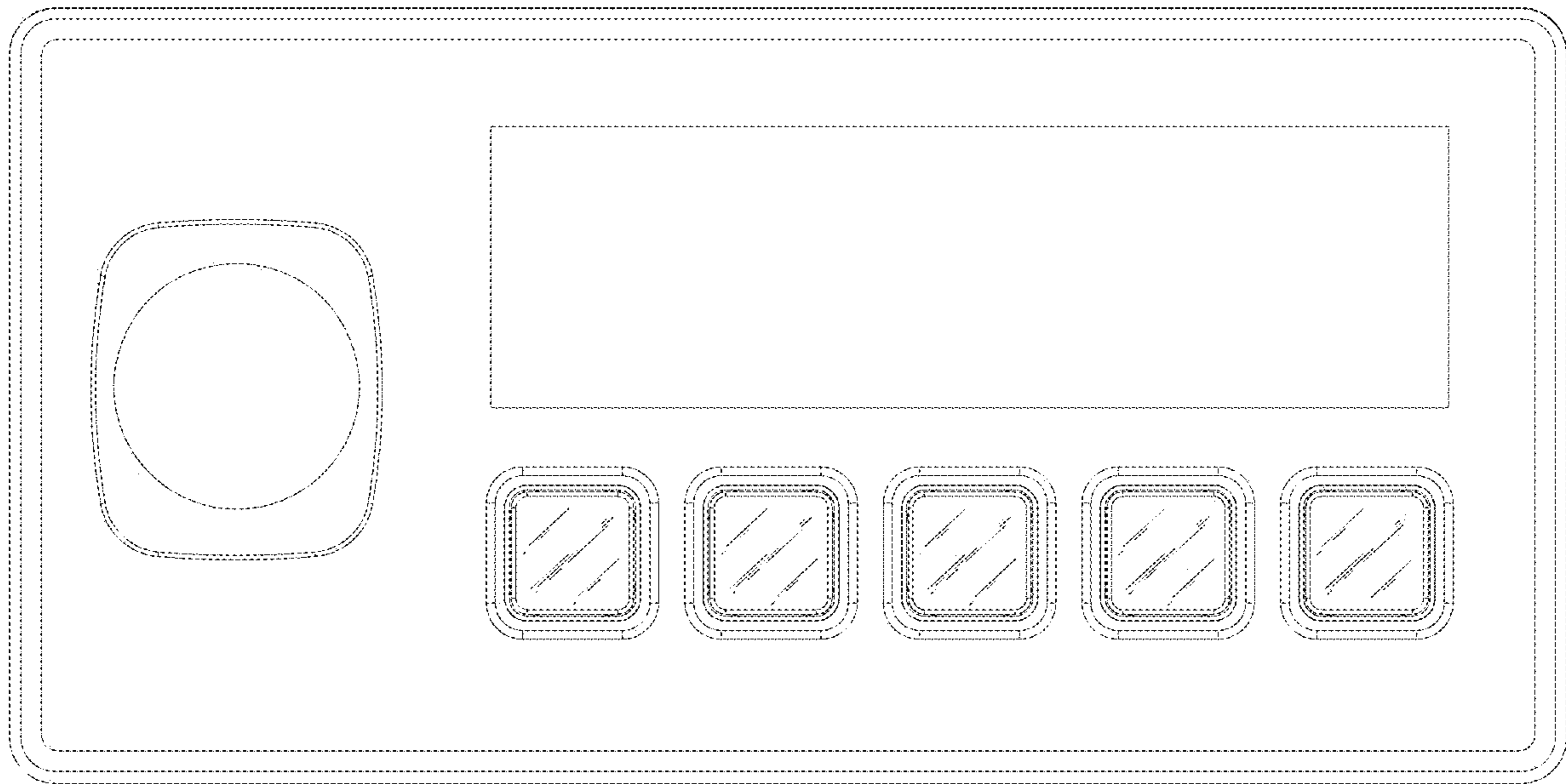


FIG. 3

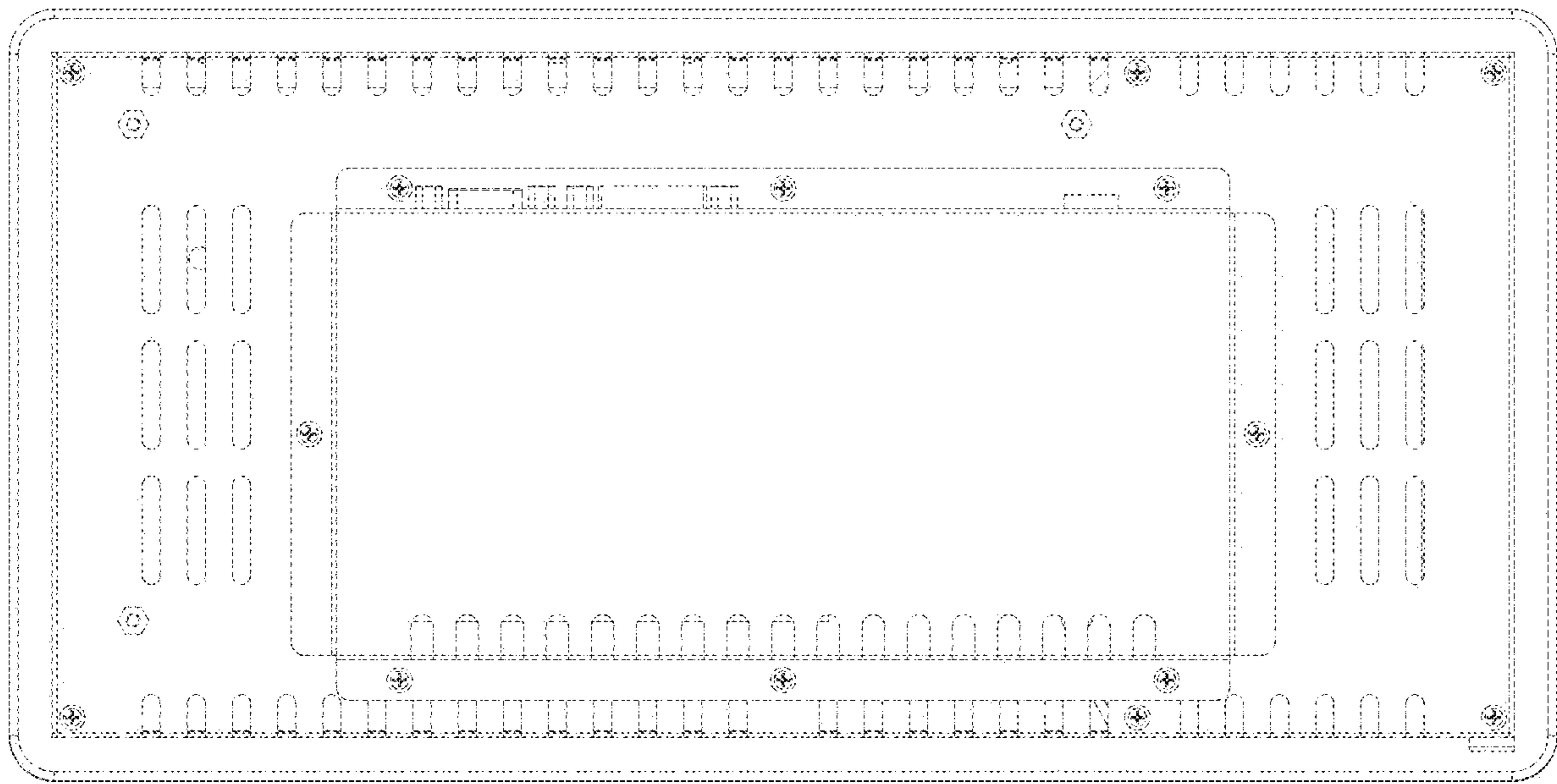


FIG. 4

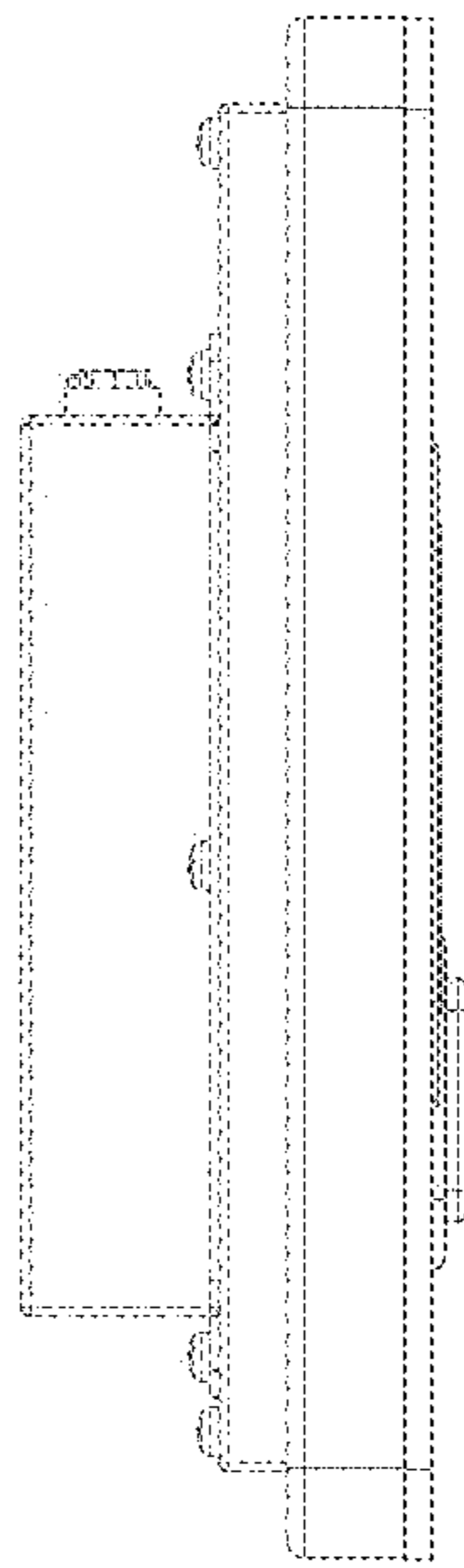


FIG. 5

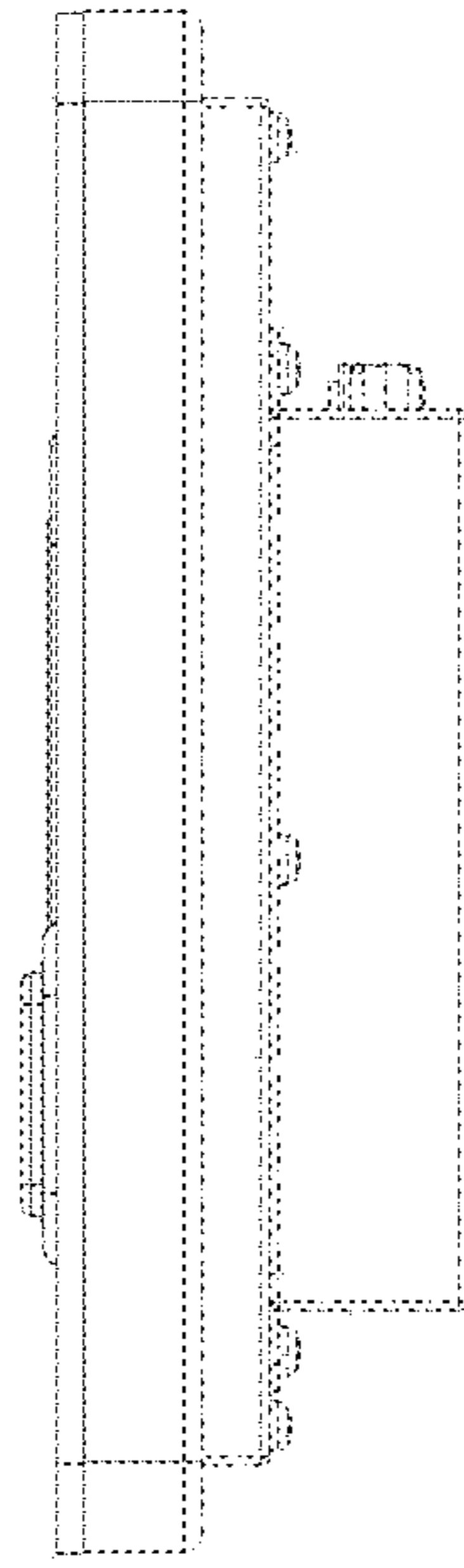


FIG. 6

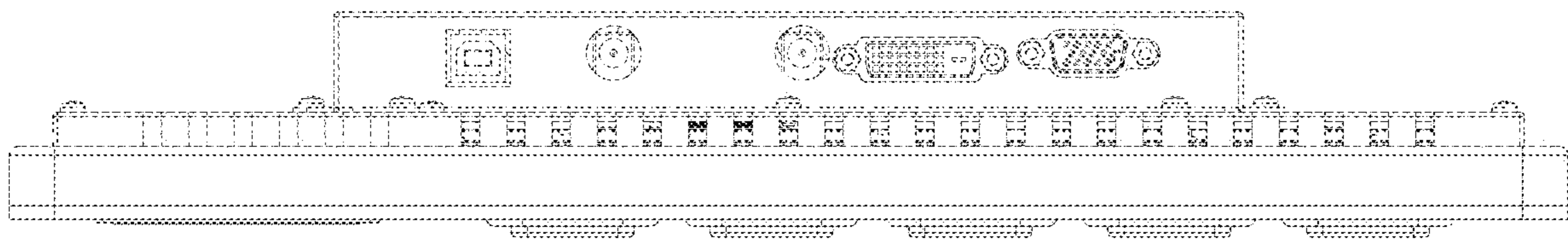


FIG. 7

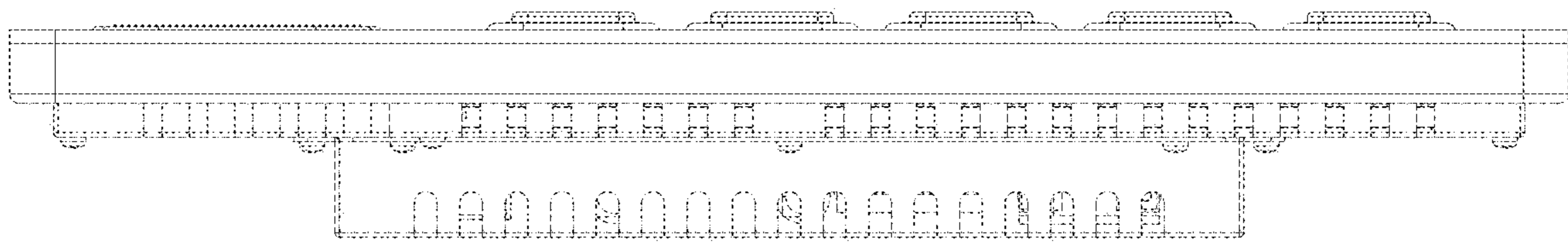


FIG. 8