

US00D892792S

(12) **United States Design Patent** (10) **Patent No.:** **US D892,792 S**
Miller et al. (45) **Date of Patent:** **** Aug. 11, 2020**

(54) **HEAD-MOUNTED DISPLAY**

- (71) Applicant: **Facebook Technologies, LLC**, Menlo Park, CA (US)
- (72) Inventors: **Robin Michael Miller**, Redmond, WA (US); **Joseph Patrick Sullivan**, Seattle, WA (US); **Adam Hewko**, Kirkland, WA (US)
- (73) Assignee: **Facebook Technologies, LLC**, Menlo Park, CA (US)
- (**) Term: **15 Years**
- (21) Appl. No.: **29/720,256**
- (22) Filed: **Jan. 10, 2020**

Related U.S. Application Data

- (63) Continuation of application No. 29/702,474, filed on Aug. 20, 2019, now Pat. No. Des. 875,094, which is a continuation of application No. 29/675,462, filed on Jan. 2, 2019, now Pat. No. Des. 865,764, which is a continuation of application No. 29/643,808, filed on Apr. 11, 2018, now Pat. No. Des. 840,399, which is a continuation of application No. 29/612,368, filed on Jul. 31, 2017, now Pat. No. Des. 819,635.
- (51) **LOC (12) Cl.** **14-02**
- (52) **U.S. Cl.**
USPC **D14/372**
- (58) **Field of Classification Search**
USPC D14/372, 496, 432, 371, 125, 126, 129, D14/299; D16/300-342; 351/158, 153, 351/144; 345/7-9, 905; 455/344; 348/115, 53, 121, 739
CPC G02B 27/017; G02B 27/0158; G02B 27/0161; G02B 27/0181; G02B 27/0185; G02B 27/0189
See application file for complete search history.

(56) **References Cited**

U.S. PATENT DOCUMENTS

D812,612 S *	3/2018	Gribetz	D14/372
D819,635 S *	6/2018	Miller	D14/372
D833,432 S *	11/2018	Lin	D14/372
D840,399 S *	2/2019	Miller	D14/372
D858,521 S *	9/2019	Neil	D14/372
D859,406 S *	9/2019	Wei	D14/372
D860,199 S *	9/2019	Mcginty, Jr.	D14/372
D860,200 S *	9/2019	Mcginty, Jr.	D14/372
D865,763 S *	11/2019	Lau	D14/372
D865,764 S *	11/2019	Miller	D14/372
D867,362 S *	11/2019	Chou	D14/372
D872,082 S *	1/2020	Denhez	D14/372
D875,094 S *	2/2020	Miller	D14/372

* cited by examiner

Primary Examiner — Austin Murphy

(74) *Attorney, Agent, or Firm* — FisherBroyles, LLP

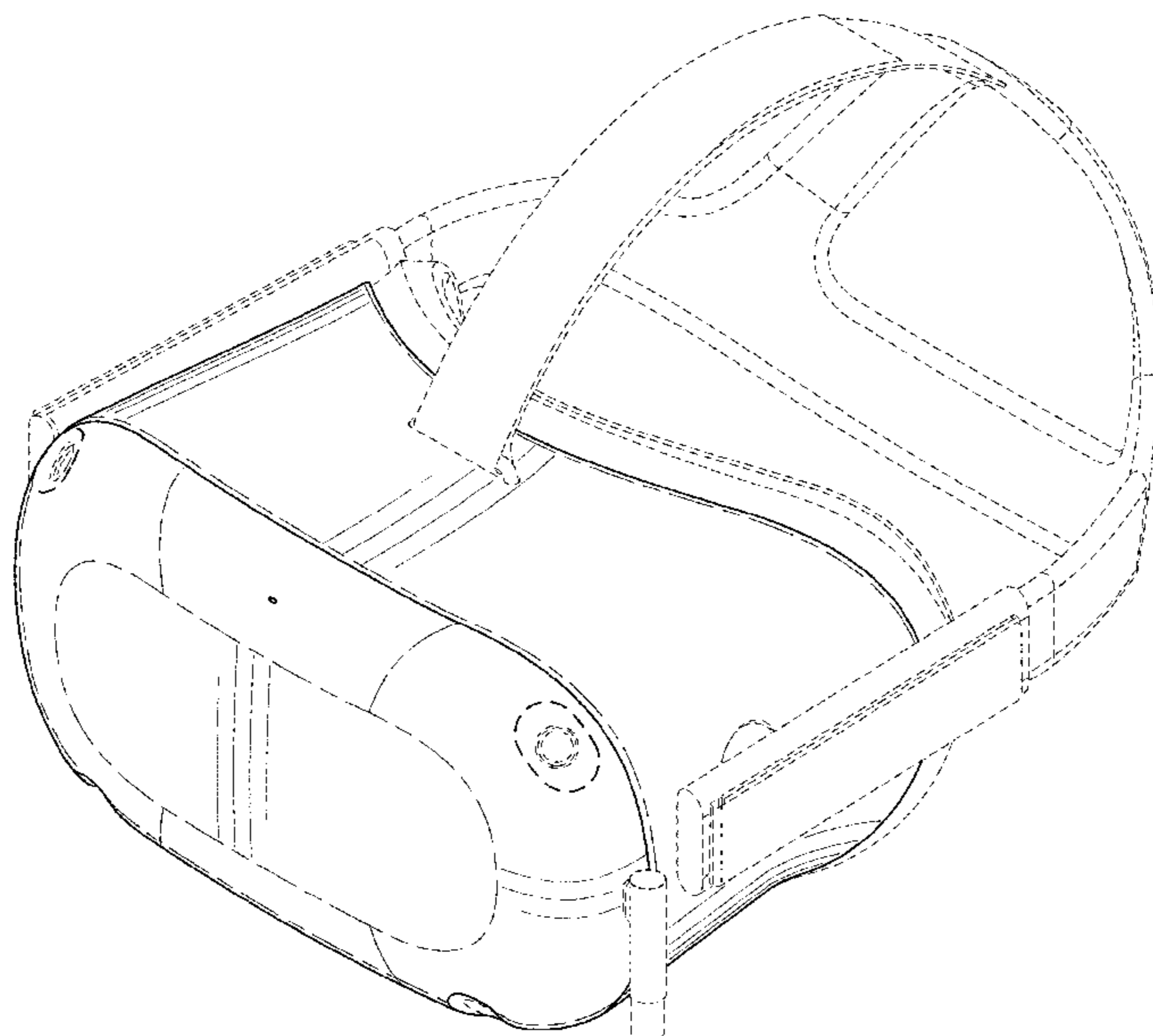
(57) **CLAIM**

The ornamental design for a head-mounted display, as shown and described.

DESCRIPTION

FIG. 1 is a top and right perspective view of a head-mounted display.
 FIG. 2 is a front view thereof.
 FIG. 3 is a rear view thereof.
 FIG. 4 is a left view thereof.
 FIG. 5 is a right view thereof.
 FIG. 6 is a top view thereof; and,
 FIG. 7 is a bottom view thereof.
 The broken lines shown in these figures are for illustrative purposes only and form no part of the claimed design.

1 Claim, 7 Drawing Sheets



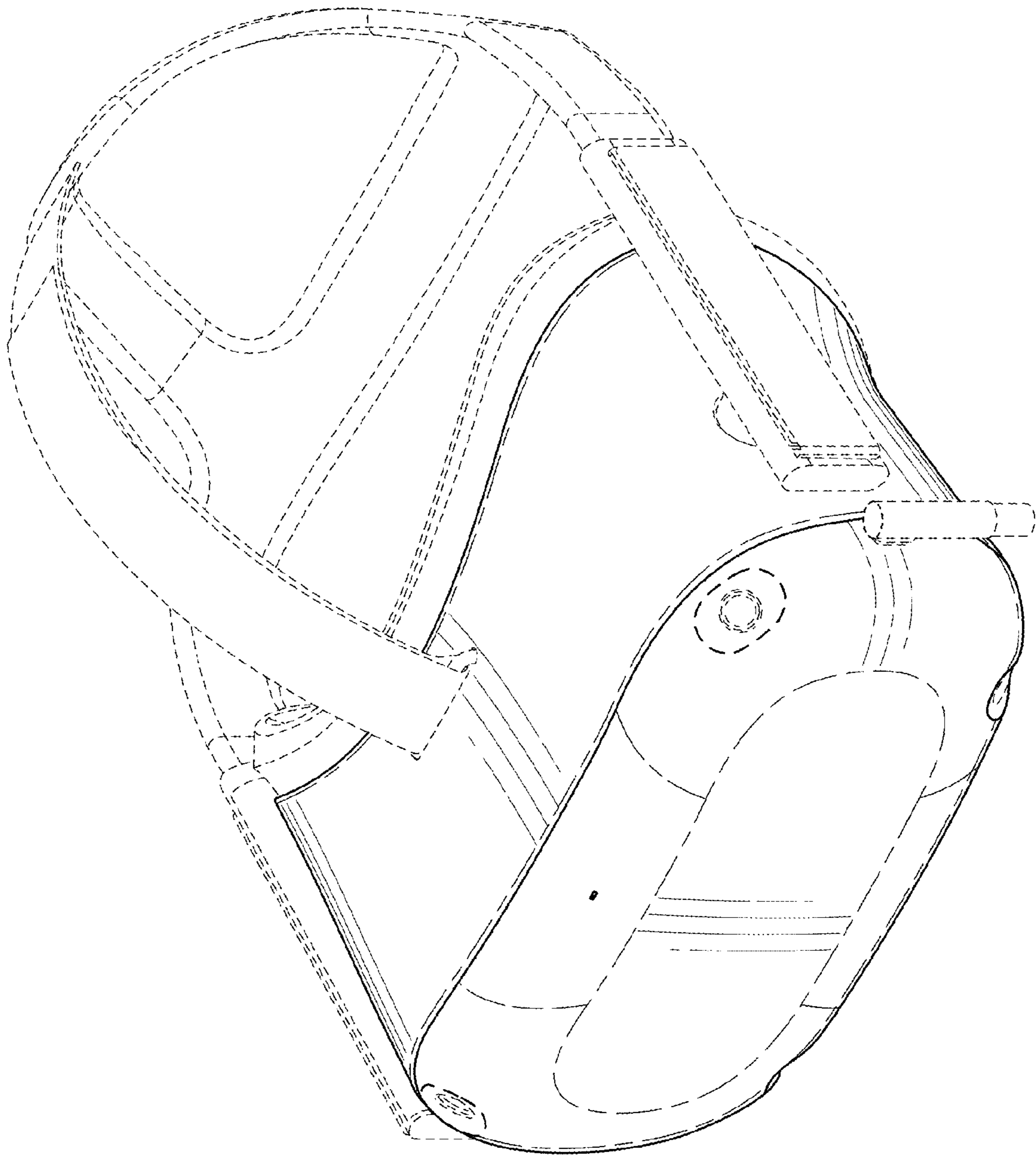


FIG. 1

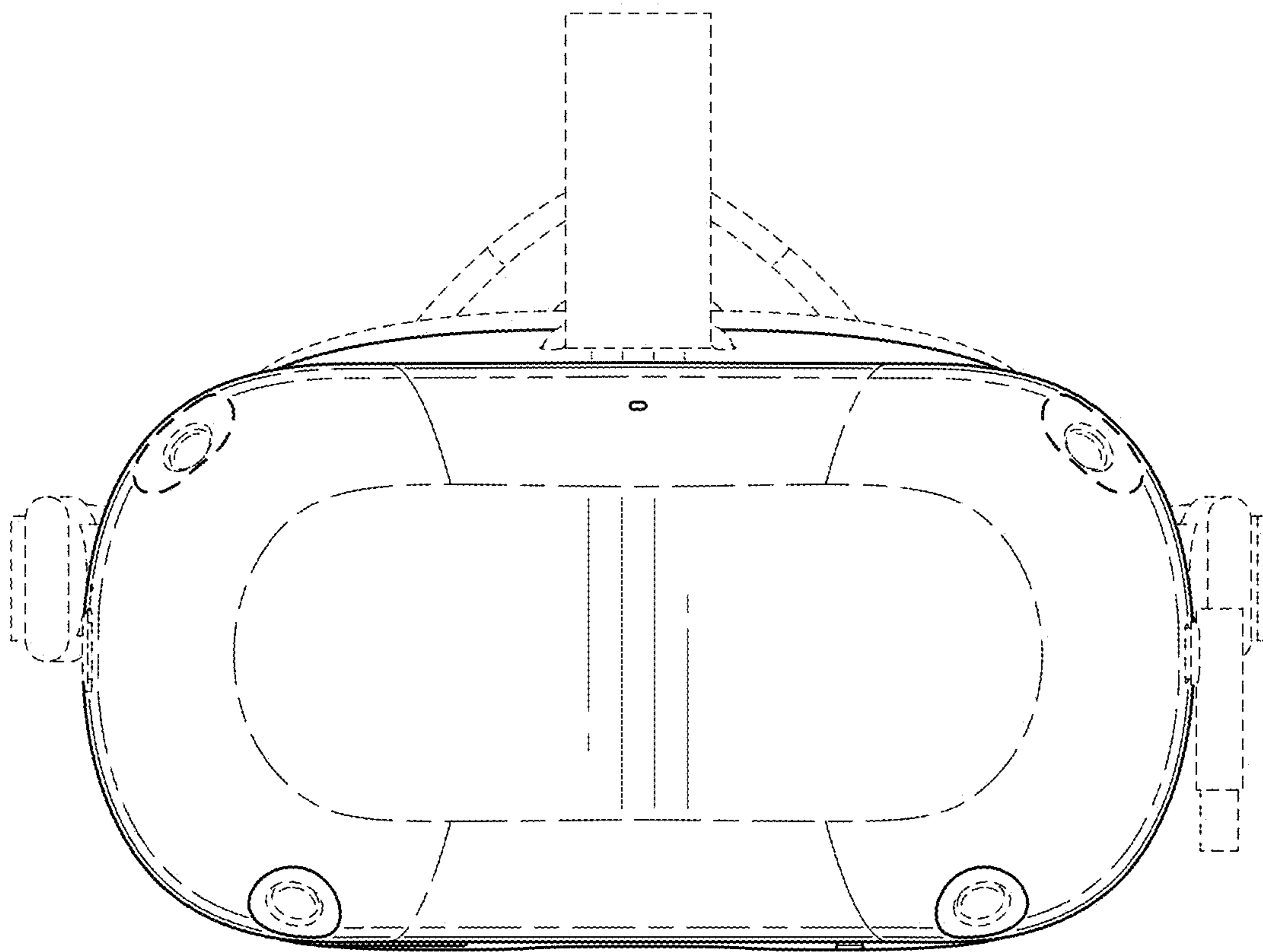


FIG. 2

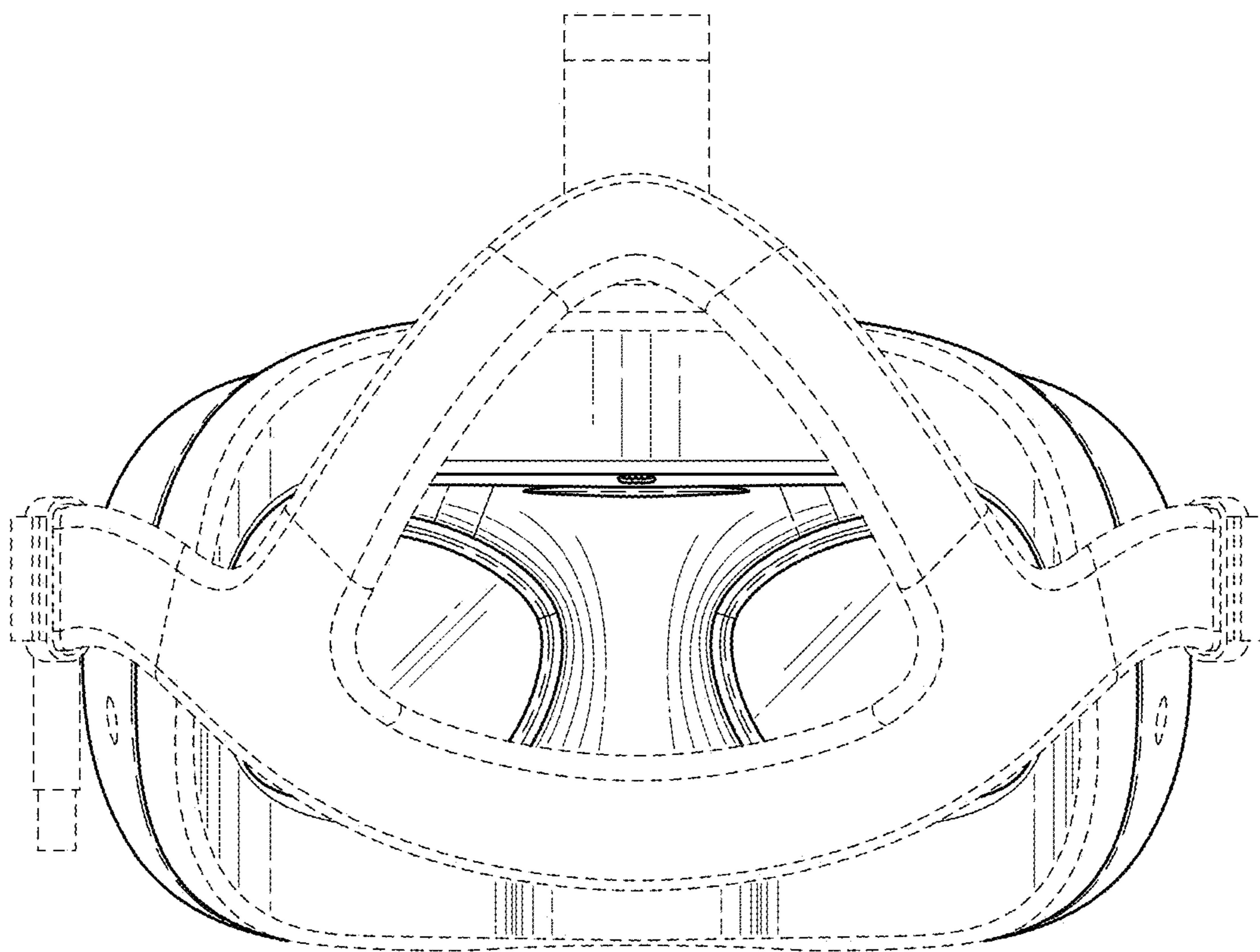


FIG. 3

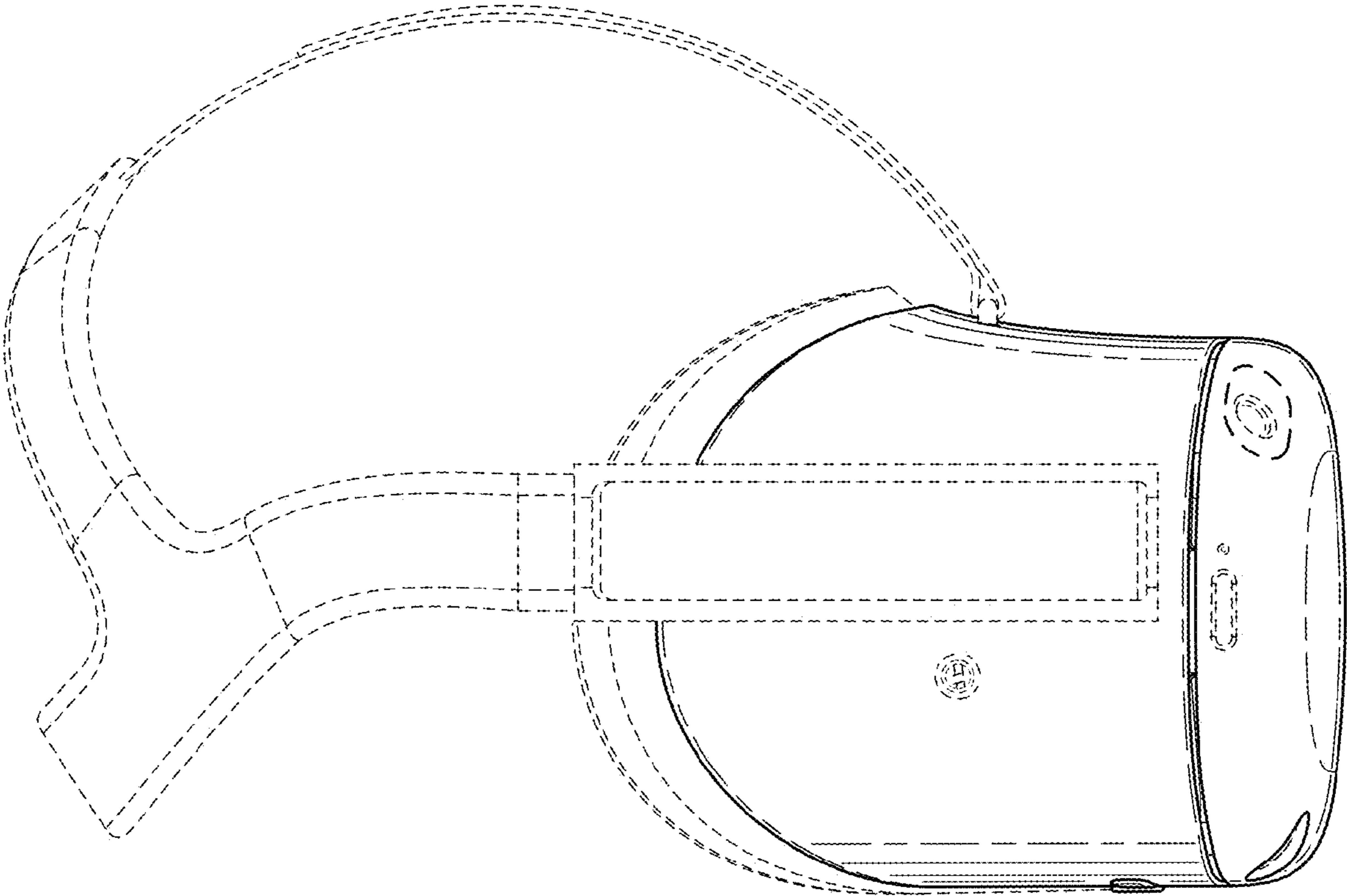


FIG. 4

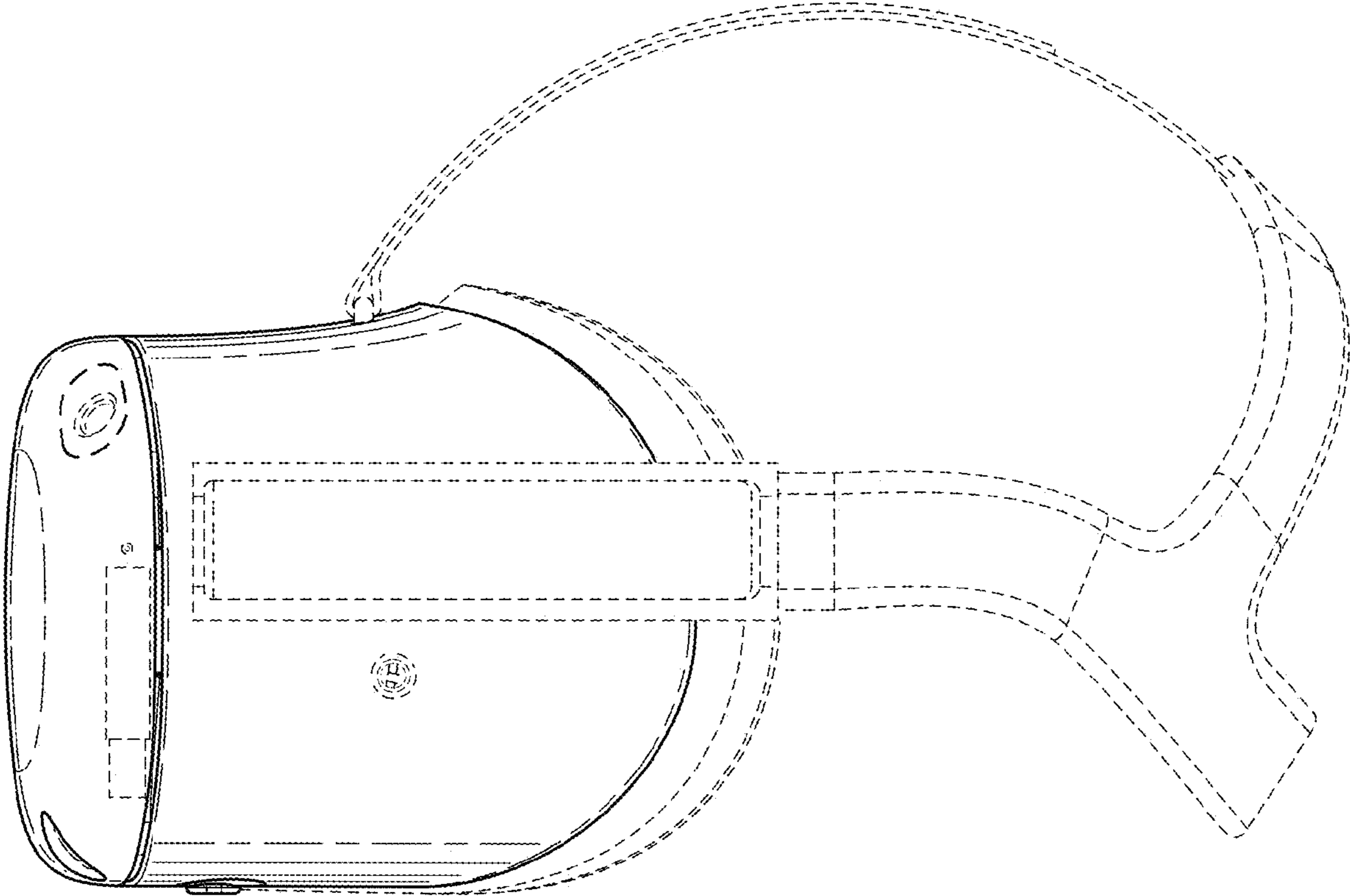


FIG. 5

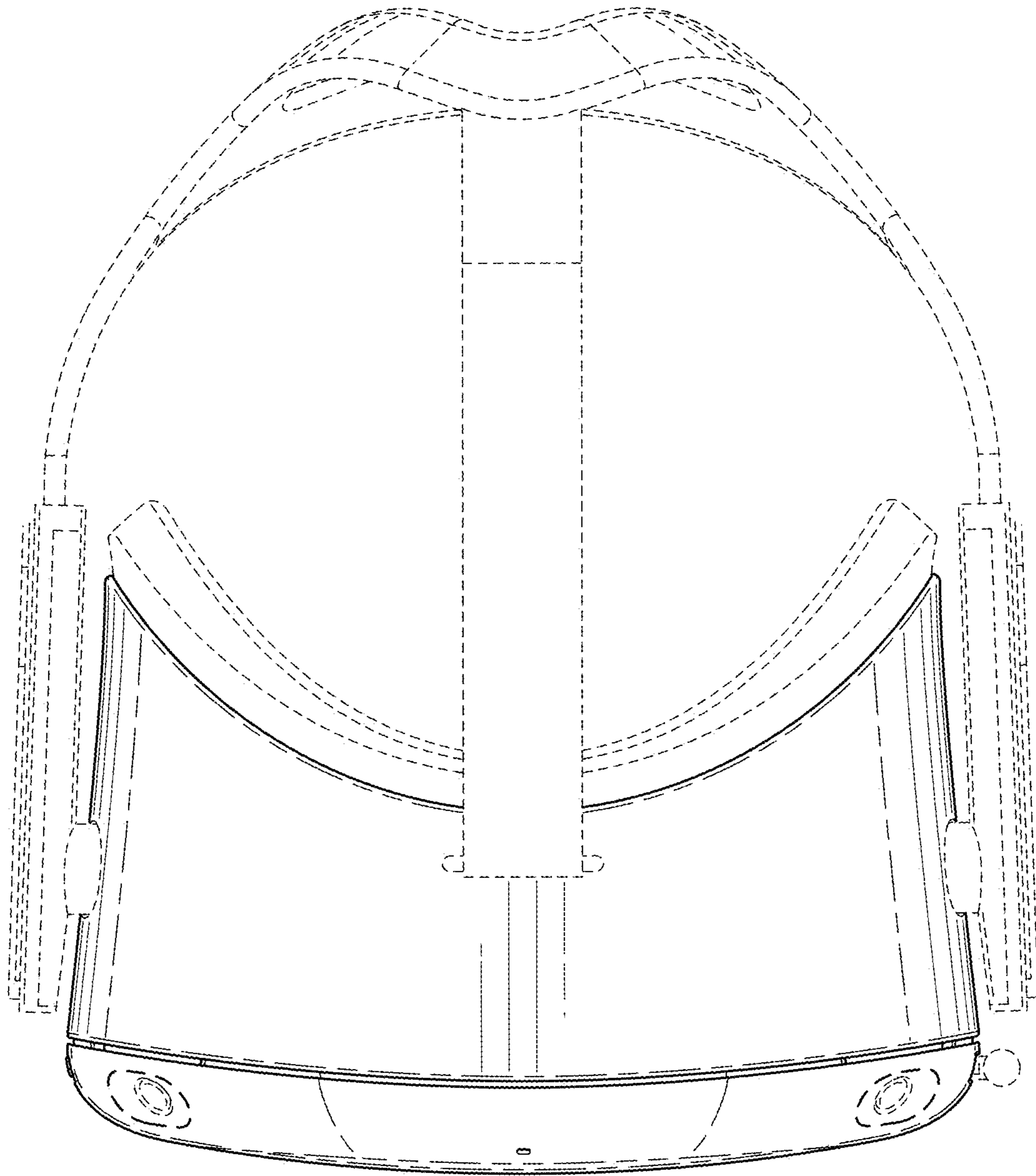


FIG. 6

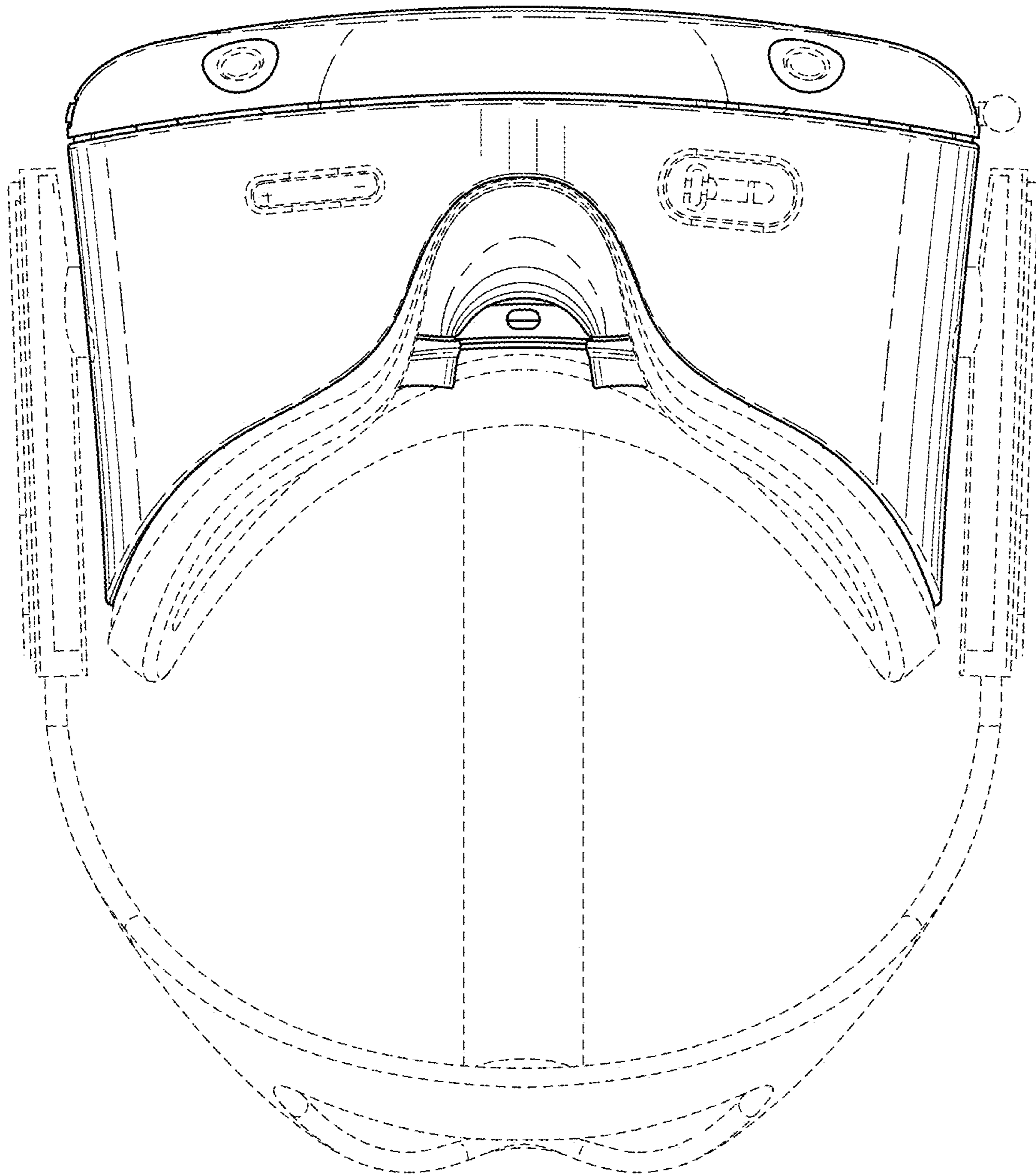


FIG. 7