



US00D892788S

(12) **United States Design Patent** (10) **Patent No.:** **US D892,788 S**
Oshima et al. (45) **Date of Patent:** **** Aug. 11, 2020**

(54) **PORTABLE COMPUTER**
(71) Applicant: **Panasonic Intellectual Property Management Co., Ltd., Osaka (JP)**
(72) Inventors: **Yusuke Oshima, Tokyo (JP); Akira Asano, Tokyo (JP)**
(73) Assignee: **Panasonic Intellectual Property Management Co., Ltd., Osaka (JP)**

D623,648 S * 9/2010 Hsu D14/324
D624,067 S * 9/2010 Peng D14/315
D624,068 S * 9/2010 Peng D14/315
(Continued)

(**) Term: **15 Years**
(21) Appl. No.: **29/683,127**
(22) Filed: **Mar. 11, 2019**

FOREIGN PATENT DOCUMENTS

CN 305172426 * 5/2019
CN 305401952 * 10/2019

(30) **Foreign Application Priority Data**

Dec. 20, 2018 (JP) 2018-027859

(51) **LOC (12) Cl.** **14-02**
(52) **U.S. Cl.**
USPC **D14/315**

(58) **Field of Classification Search**
USPC D14/371, 376, 315-327, 479, 150, 168, D14/203.4, 203.6, 247, 331, 345-346, D14/391-399, 401, 429, 434, 440, D14/455-457, 477, 507, 509; D3/900-901; 361/679.08, 679.09, 361/679.11, 679.26, 679.27; D21/324, D21/409, 512, 515; D6/300, 308, 310
CPC B41J 5/00; B41J 5/10; B41J 5/12; F16M 11/10; G06F 3/0219; G06F 3/02
See application file for complete search history.

OTHER PUBLICATIONS

Toughbook 55 semi-rugged laptop, Panasonic, na.panasonic.com, author unlisted, published on Sep. 9, 2019 per wayback machine © 2020 Panasonic Corporation of North America, online, site visited Jun. 3, 2020. Available at URL: <https://na.panasonic.com/us/computers-tablets-handhelds/computers> . . . (Year: 2019).*

(Continued)

Primary Examiner — Marissa J Cash
Assistant Examiner — Altaira J Swangin
(74) *Attorney, Agent, or Firm* — Panasonic IP Management; Kerry S. Culpepper

(56) **References Cited**

U.S. PATENT DOCUMENTS

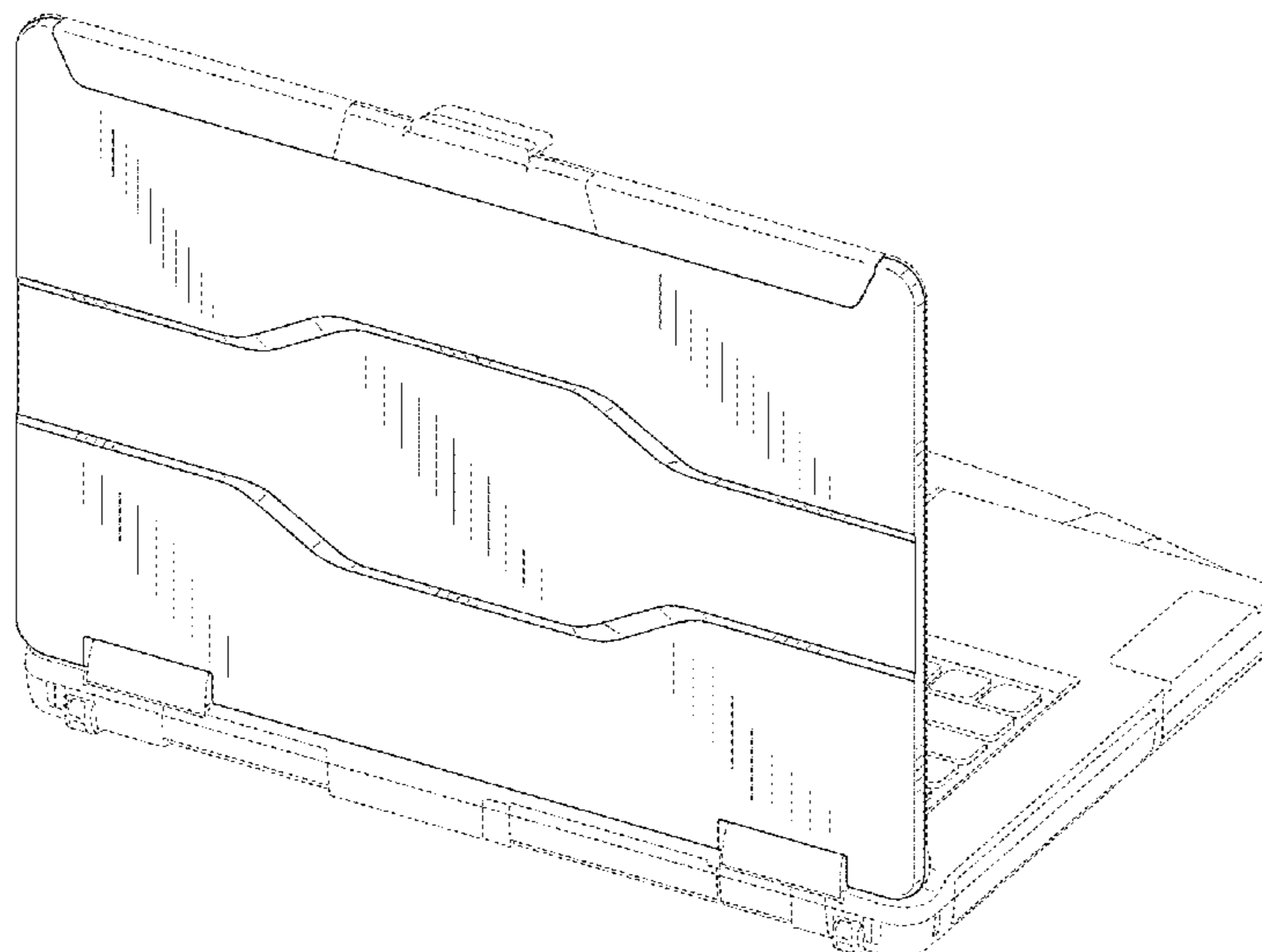
D427,578 S * 7/2000 Kanatani D14/507
D623,643 S * 9/2010 Hsu D14/315
D623,644 S * 9/2010 Hsu D14/315
D623,646 S * 9/2010 Peng D14/324
D623,647 S * 9/2010 Hsu D14/324

DESCRIPTION

FIG. 1 is a rear perspective view of a portable computer of the present invention;
FIG. 2 is a front view thereof;
FIG. 3 is a rear view thereof;
FIG. 4 is a first side view thereof;
FIG. 5 is a second side view thereof;
FIG. 6 is a top view thereof; and,
FIG. 7 is a bottom view thereof.

The broken lines, shown in FIGS. 1-7, represent portions of the portable computer that form no part of the claimed design.

1 Claim, 7 Drawing Sheets



(56)

References Cited

U.S. PATENT DOCUMENTS

D624,069	S	*	9/2010	Peng	D14/324
D626,123	S	*	10/2010	Peng	D14/324
D649,149	S	*	11/2011	Peng	D14/315
D703,439	S	*	4/2014	Fair	D3/289
D724,093	S	*	3/2015	Dong	D14/440
D725,116	S	*	3/2015	Li	D14/440
D733,698	S	*	7/2015	Suzuki	D14/315
D733,699	S	*	7/2015	Suzuki	D14/315
D753,650	S	*	4/2016	Tanaka	D14/315
D756,994	S	*	5/2016	Shindo	D14/315
D766,907	S	*	9/2016	Veltz	D14/440
D802,596	S	*	11/2017	Hannon	D14/440
D825,553	S	*	8/2018	Nagai	D14/315
D825,554	S	*	8/2018	Nagai	D14/315
D847,817	S	*	5/2019	Cheng	D14/440
D853,402	S	*	7/2019	Yang	D14/440
D854,023	S	*	7/2019	Yang	D14/440

OTHER PUBLICATIONS

Laptop Briefcase, NiceEbag EVA, amazon.com, author unlisted, published on Mar. 14, 2018 © 1996-2020 Amazon.com, Inc., online, site visited Jun. 3, 2020. Available at URL: <https://www.amazon.in/Multi-functional-Briefcase-Multi-compartment-Messenger-Alienware/dp/B071HHNLS3> (Year: 2018).*

* cited by examiner

FIG. 1

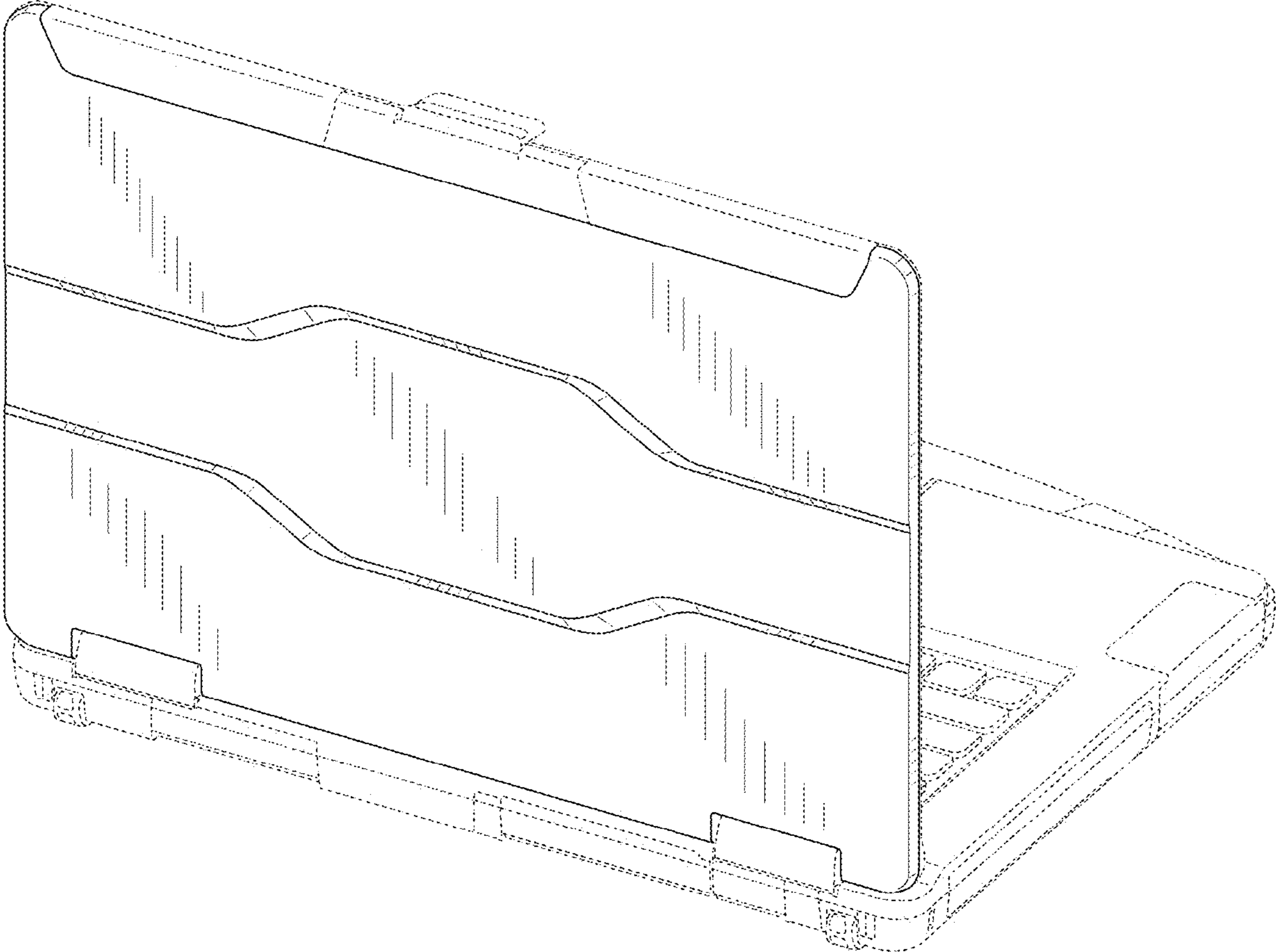


FIG. 2

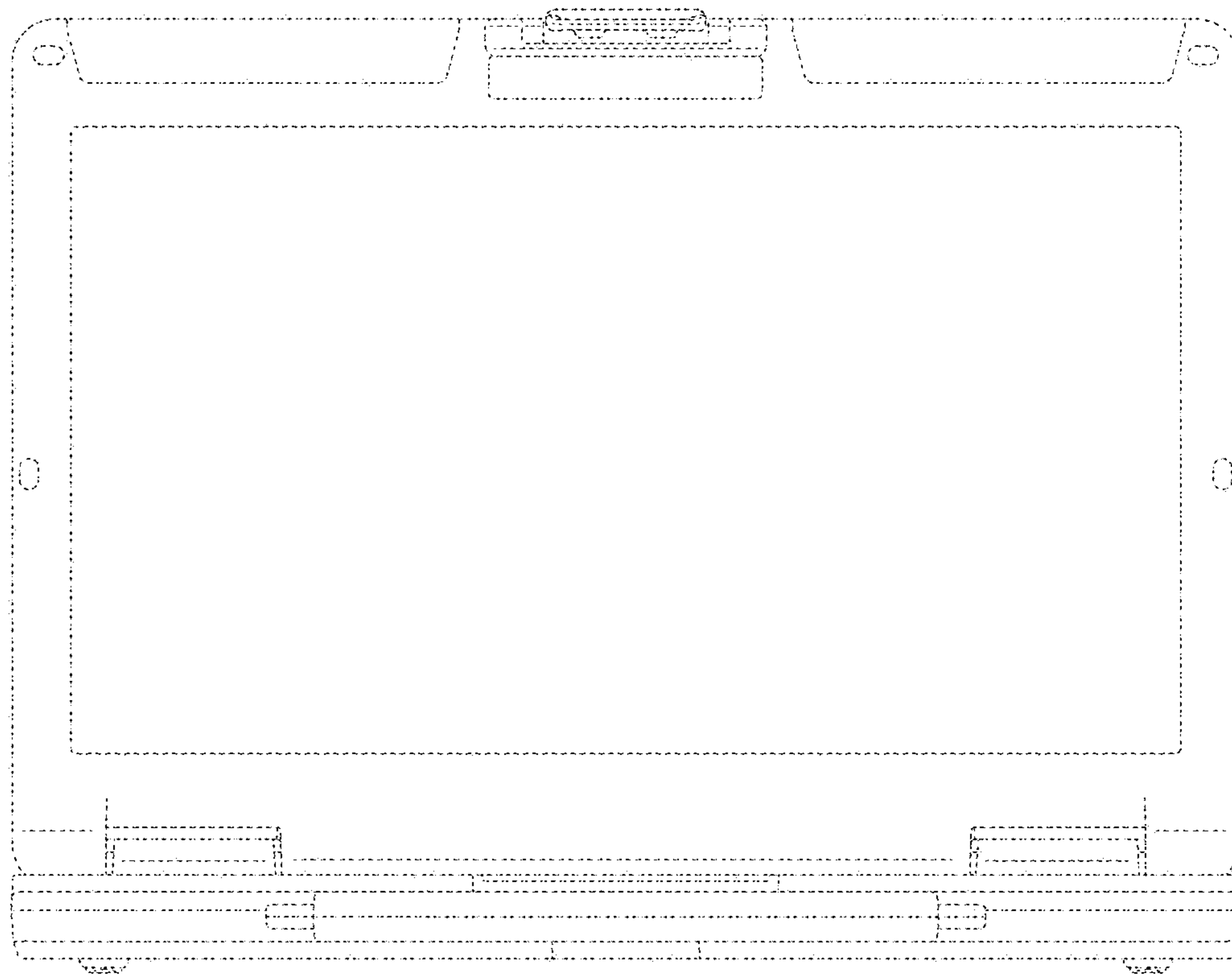


FIG. 3

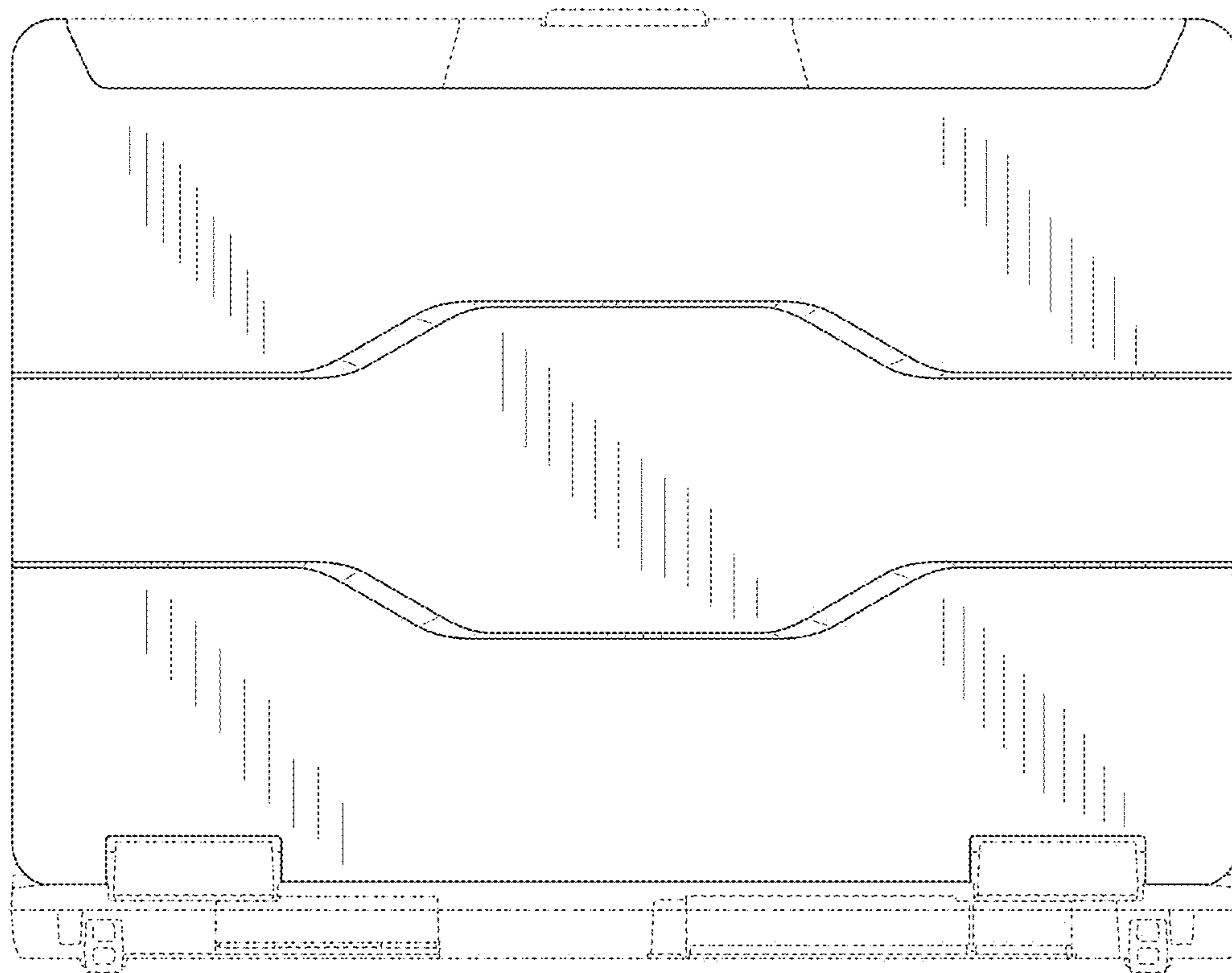


FIG. 4

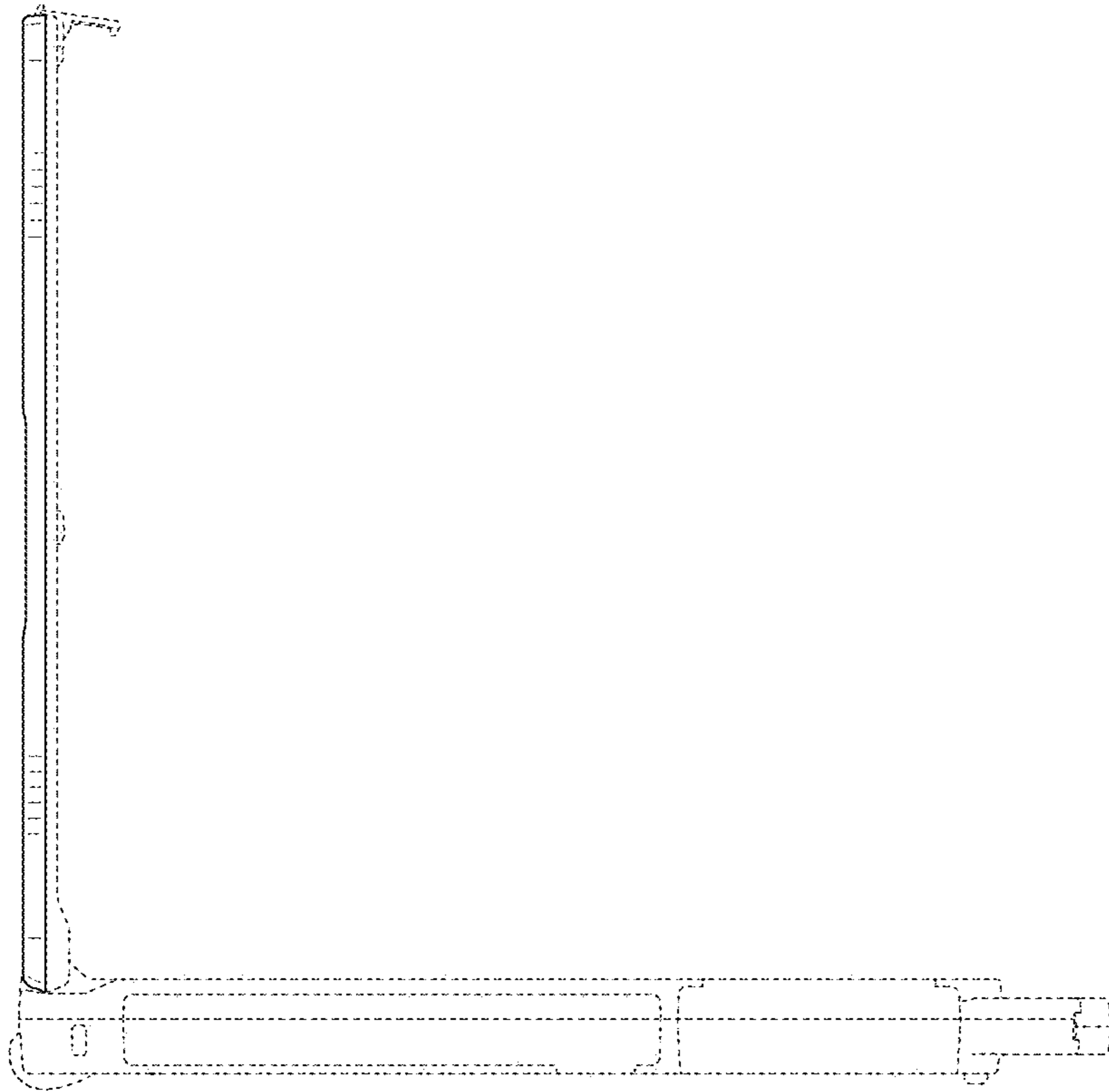


FIG. 5

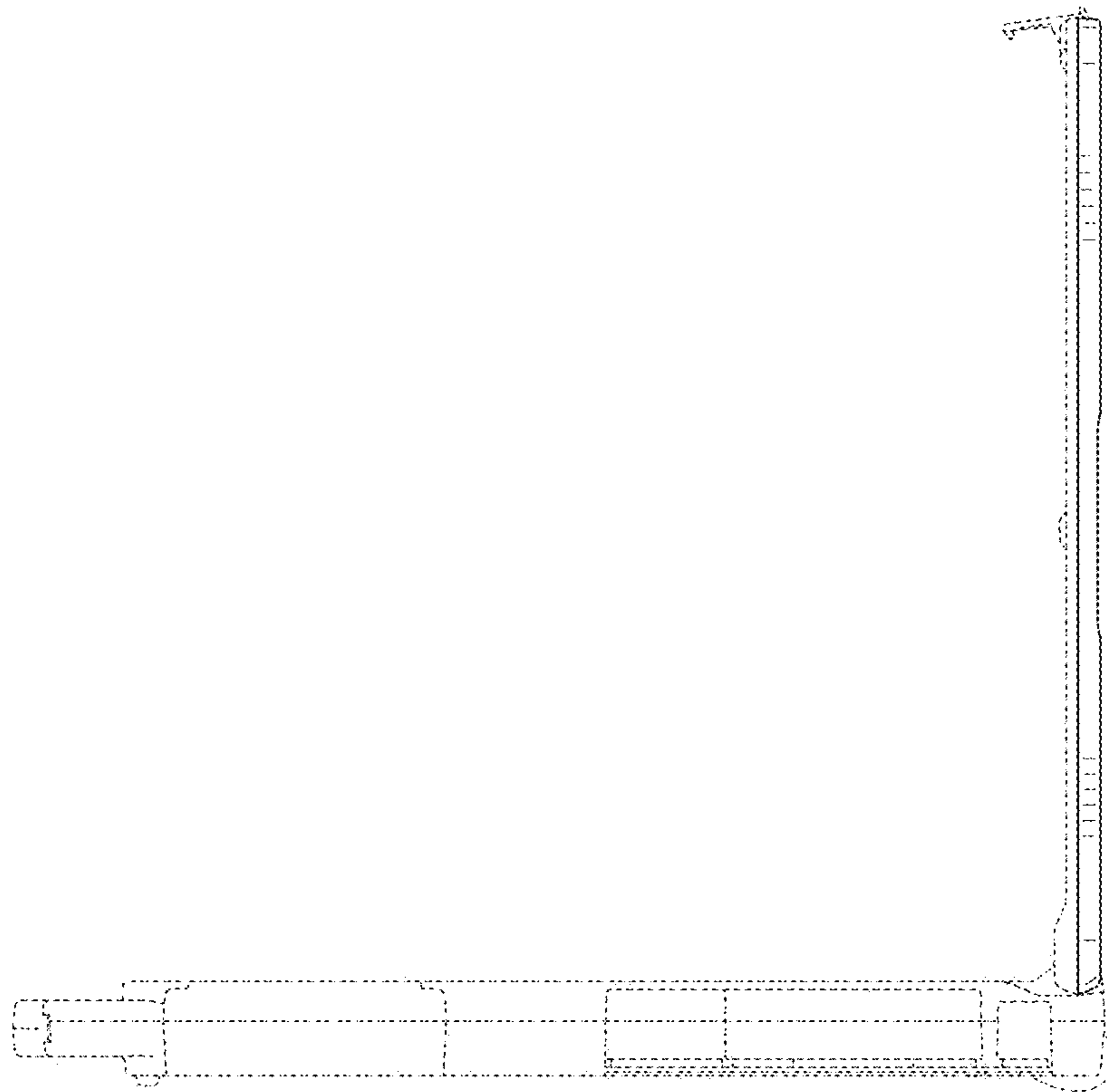


FIG. 6

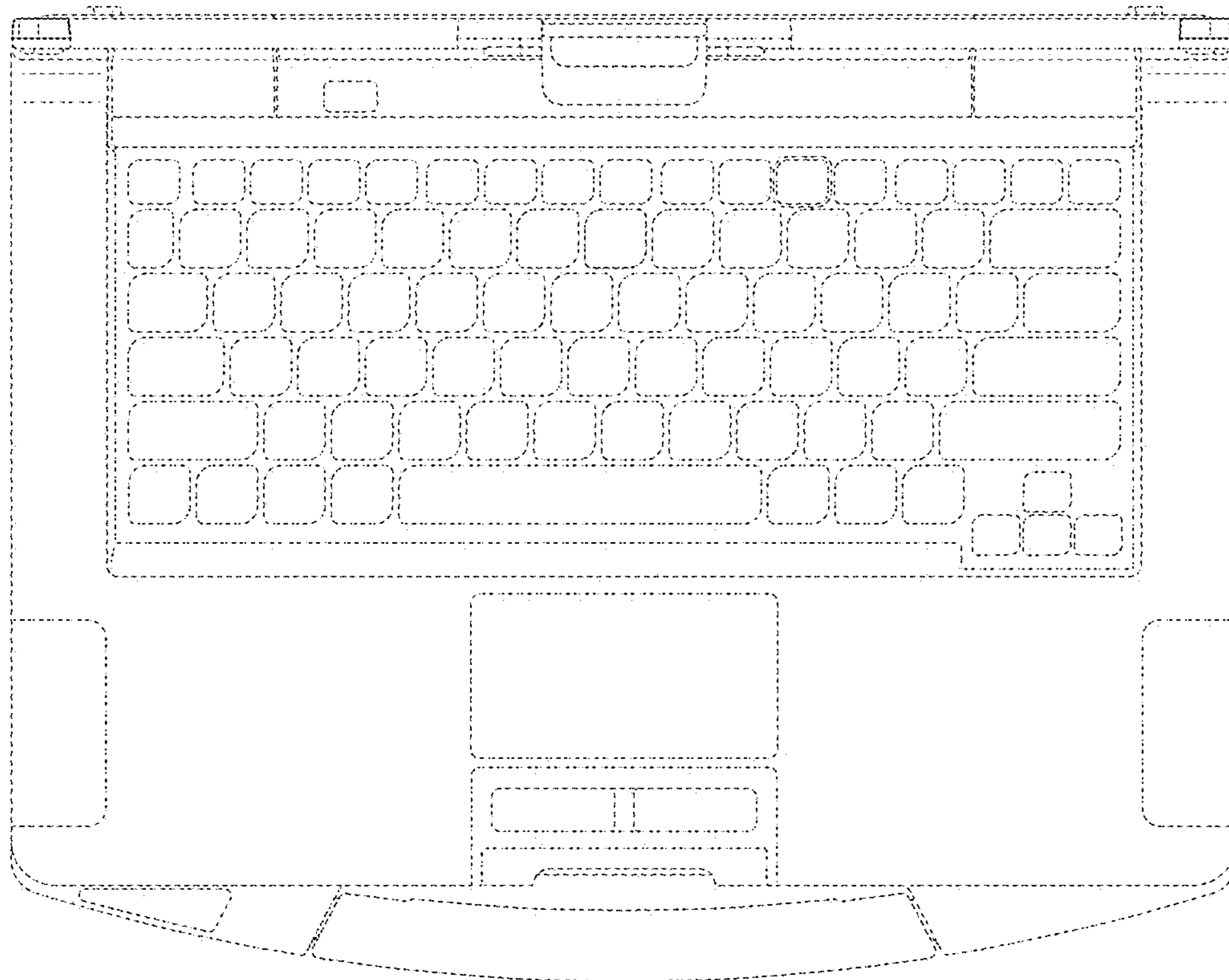


FIG. 7

