



US00D892787S

(12) **United States Design Patent** (10) **Patent No.:** **US D892,787 S**  
**Chen** (45) **Date of Patent:** **\*\* Aug. 11, 2020**

(54) **MOBILE PHONE HOLDER**  
(71) Applicant: **Shenzhen Lanhe Technologies Co., Ltd.**, Shenzhen (CN)  
(72) Inventor: **Caili Chen**, Guangdong (CN)  
(73) Assignee: **Shenzhen Lanhe Technologies Co., Ltd.**, Shenzhen (CN)  
(\*\*) Term: **15 Years**  
(21) Appl. No.: **29/725,008**  
(22) Filed: **Feb. 21, 2020**  
(51) **LOC (12) Cl.** ..... **14-03**  
(52) **U.S. Cl.**  
USPC ..... **D14/253**  
(58) **Field of Classification Search**  
USPC ..... D14/251-253, 447, 452, 432-434, 440;  
D12/415; D3/218; D8/349, 363  
CPC ..... H04M 1/02; H04M 1/04; B60R 11/02;  
F16M 11/00; F16M 11/04; F16M 11/06  
See application file for complete search history.

(56) **References Cited**

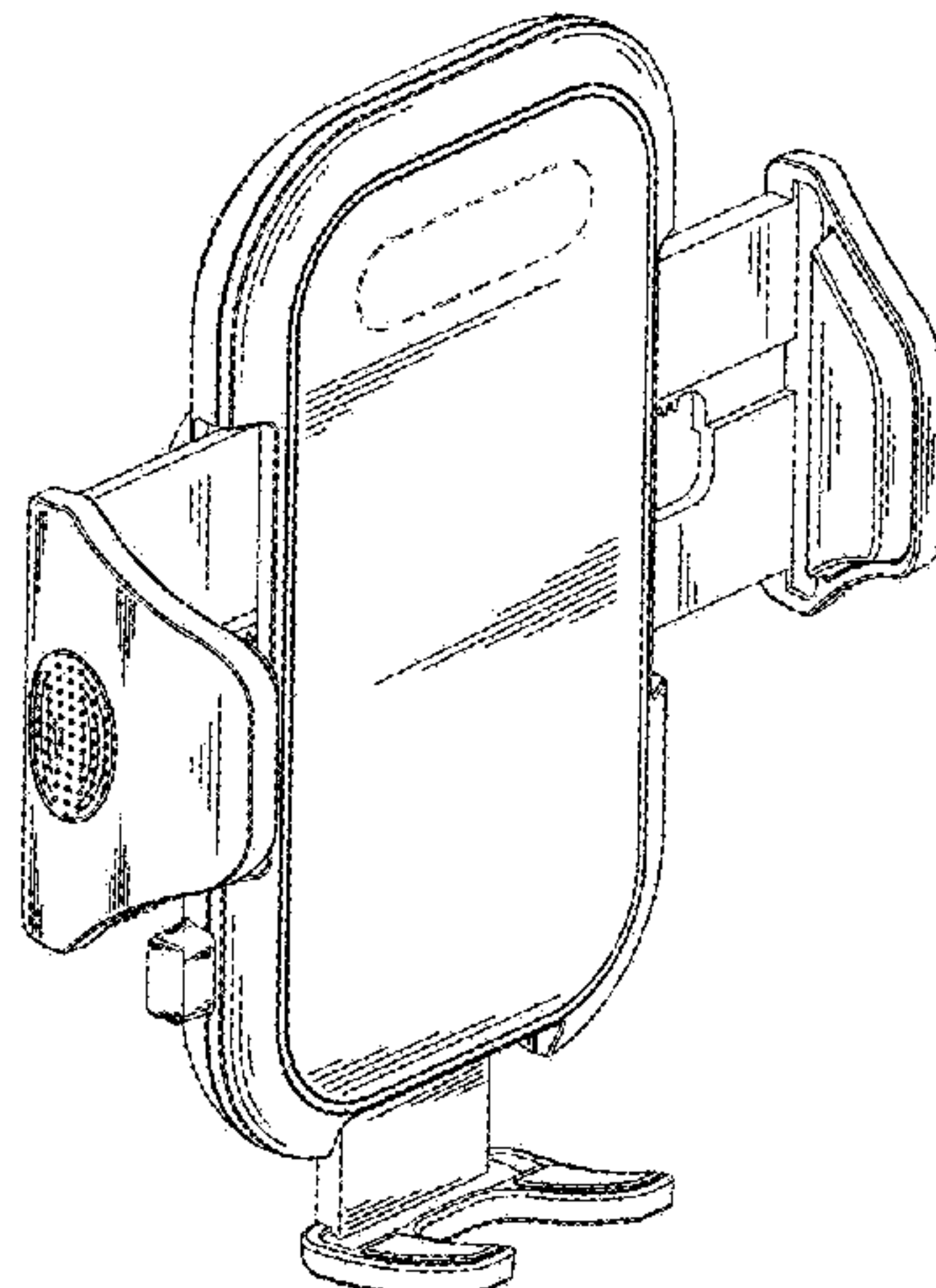
**U.S. PATENT DOCUMENTS**

D614,613 S 4/2010 Kim et al.  
D646,674 S \* 10/2011 Liao ..... D14/253  
D685,379 S \* 7/2013 Richter ..... D14/253  
D685,380 S \* 7/2013 Richter ..... D14/253  
D691,991 S \* 10/2013 Mohan ..... D14/250  
D695,732 S \* 12/2013 Baumann ..... D14/253  
D705,211 S \* 5/2014 Huang ..... D14/253  
D709,066 S \* 7/2014 Byun ..... D14/253  
D709,074 S \* 7/2014 Tsui ..... D14/447  
D716,215 S \* 10/2014 Dunn ..... D12/415  
D718,297 S \* 11/2014 Aspinall ..... D14/253  
D736,217 S \* 8/2015 Wang ..... D14/451  
D742,387 S \* 11/2015 Xiang ..... D14/447  
D750,612 S \* 3/2016 Chen ..... D14/253  
D752,571 S \* 3/2016 Richter ..... D14/253  
D767,556 S 9/2016 Lee  
D770,171 S \* 11/2016 Lai ..... D14/253  
D772,218 S 11/2016 Alesi et al.  
D783,014 S \* 4/2017 Chun ..... D14/253

D784,923 S \* 4/2017 Song ..... D13/108  
D784,977 S \* 4/2017 Ormsbee ..... D14/253  
D799,466 S \* 10/2017 Sukphist ..... D14/253  
D832,247 S \* 10/2018 Sukphist ..... D14/253  
D832,248 S \* 10/2018 Sukphist ..... D14/253  
D833,369 S \* 11/2018 Lan ..... D12/415  
D839,868 S \* 2/2019 Lee ..... D14/253  
D840,388 S \* 2/2019 Wieth ..... D14/251  
D840,994 S \* 2/2019 Balmer ..... D14/253  
D852,188 S \* 6/2019 He ..... D14/253  
D858,509 S \* 9/2019 Yao ..... D14/253  
D859,286 S \* 9/2019 He ..... D12/415  
D859,393 S \* 9/2019 Dang ..... D14/253  
D859,395 S \* 9/2019 Yao ..... D14/253  
D860,190 S \* 9/2019 Liao ..... D14/253  
D861,670 S \* 10/2019 Li ..... D14/253  
D862,454 S \* 10/2019 Chun ..... D14/253  
D863,290 S \* 10/2019 Ormsbee ..... D14/253  
D864,092 S \* 10/2019 Zhang ..... D12/415  
D864,185 S \* 10/2019 Chen ..... D14/253  
D864,187 S \* 10/2019 Vogel ..... D14/253  
D872,014 S \* 1/2020 Zhang ..... D13/108  
D873,260 S \* 1/2020 Dang ..... D14/253  
D873,272 S \* 1/2020 Dang ..... D14/447  
D875,090 S \* 2/2020 Leeds-Frank ..... D14/253  
D877,688 S \* 3/2020 Liu ..... D12/415  
D879,090 S \* 3/2020 Chung ..... D14/253  
D879,766 S \* 3/2020 Fan ..... D14/253  
D881,200 S \* 4/2020 Leeds-Frank ..... D14/447  
D881,201 S \* 4/2020 Lou ..... D14/447  
D881,868 S \* 4/2020 Zhang ..... D14/253  
D882,560 S \* 4/2020 Liao ..... D14/253  
D883,271 S \* 5/2020 Liao ..... D14/253  
D883,274 S \* 5/2020 Liu ..... D14/253  
2007/0284500 A1 \* 12/2007 Fan ..... H04M 1/04  
248/346.06  
2010/0295228 A1 \* 11/2010 Woody ..... B60R 11/0258  
269/254 R  
2012/0267406 A1 \* 10/2012 Fan ..... B60R 11/02  
224/482  
2014/0145051 A1 \* 5/2014 Gwag ..... F16M 11/2092  
248/298.1  
2015/0072555 A1 \* 3/2015 Riddiford ..... F16M 11/041  
439/575  
2019/0185094 A1 \* 6/2019 Vogel ..... F16B 1/00

**FOREIGN PATENT DOCUMENTS**

CN 304175859 S 6/2017  
CN 305291899 S 8/2019  
CN 305568531 S 1/2020





## OTHER PUBLICATIONS

Ultra Stable Car Phone Mount, VICSEED Newest CD Slot& Air Vent Universal Cell Phone Holder for Car, Fit for iPhone 11 Pro Max Xs Xr X 8 7 6 Plus, Galaxy Note 10 S20 S20+ S10+ S9 S8 Google LG Etc. by VICSEED <https://www.amazon.com/dp/B07V6WQBCJ>.

Andobil Car Mobile Phone Holder, Upgrade 4.0, Ventilation and Suction Cup Holder, 4.0-in-3 Universal Car Smartphone Holder for iPhone 11, 11 Pro, Samsung Note 10, Huawei, Xiaomi, LG etc. by andobil <https://www.amazon.de/dp/B07YZ6MK53>.

Mobile phone holder for car ventilation and suction cup. by DesertWest [https://www.amazon.de/Handyhalterung-Handyhalter-Halterung-Universale-Smartphone-schwarz/dp/B07YTJLD8L/ref=sr\\_1\\_1?\\_mk\\_de\\_DE=%C3%85M%C3%85%C5%BD%C3%95%C3%91&keywords=B07YTJLD8L&qid=1581739649&sr=8-1](https://www.amazon.de/Handyhalterung-Handyhalter-Halterung-Universale-Smartphone-schwarz/dp/B07YTJLD8L/ref=sr_1_1?_mk_de_DE=%C3%85M%C3%85%C5%BD%C3%95%C3%91&keywords=B07YTJLD8L&qid=1581739649&sr=8-1).

Andobil Car Mobile Phone Holder, Ventilation and Suction Cup Holder, 3-in-1 Universal Car Smartphone Holder for iPhone 11, 11 Pro, Samsung Galaxy Note 10/S10, Huawei, Xiaomi, LG, etc. by andobil [https://www.amazon.de/andobil-Handyhalter-Handyhalterung-Universale-Smartphone/dp/B07Q7XZ36X/ref=zg\\_bs\\_364928031\\_6?\\_encoding=UTF8&psc=1&refRID=BESYN1VAM9BAZ82MSTTC](https://www.amazon.de/andobil-Handyhalter-Handyhalterung-Universale-Smartphone/dp/B07Q7XZ36X/ref=zg_bs_364928031_6?_encoding=UTF8&psc=1&refRID=BESYN1VAM9BAZ82MSTTC).

\* cited by examiner

*Primary Examiner* — Janice Hallmark

(74) *Attorney, Agent, or Firm* — Andrew C. Cheng

## (57) CLAIM

I claim the ornamental design for a mobile phone holder, as shown and described.

## DESCRIPTION

FIG. 1 is a perspective view of a mobile phone holder according to a first embodiment.

FIG. 2 is a front view of the mobile phone holder of FIG. 1.

FIG. 3 is a rear view of the mobile phone holder of FIG. 1.

FIG. 4 is a left side view of the mobile phone holder of FIG. 1.

FIG. 5 is a right side view of the mobile phone holder of FIG. 1.

FIG. 6 is a top view of the mobile phone holder of FIG. 1.

FIG. 7 is a bottom view of the mobile phone holder of FIG. 1.

FIG. 8 is an enlarged view of the encircled portion A of the mobile phone holder of FIG. 1.

FIG. 9 is a perspective view of the mobile phone holder of FIG. 1, showing the mobile phone holder in a state of use.

FIG. 10 is a perspective view of a mobile phone holder according to a second embodiment.

FIG. 11 is a front view of the mobile phone holder of FIG. 10.

FIG. 12 is a rear view of the mobile phone holder of FIG. 10.

FIG. 13 is a left side view of the mobile phone holder of FIG. 10.

FIG. 14 is a right side view of the mobile phone holder of FIG. 10.

FIG. 15 is a top view of the mobile phone holder of FIG. 10.

FIG. 16 is a bottom view of the mobile phone holder of FIG. 10.

FIG. 17 is an enlarged view of the encircled portion B of the mobile phone holder of FIG. 10.

FIG. 18 is an enlarged view of the encircled portion C of the mobile phone holder of FIG. 10.

FIG. 19 is a perspective view of the mobile phone holder of FIG. 10, showing the mobile phone holder in a state of use.

FIG. 20 is a perspective view of a mobile phone holder according to a third embodiment.

FIG. 21 is a front view of the mobile phone holder of FIG. 20.

FIG. 22 is a rear view of the mobile phone holder of FIG. 20.

FIG. 23 is a left side view of the mobile phone holder of FIG. 20.

FIG. 24 is a right side view of the mobile phone holder of FIG. 20.

FIG. 25 is a top view of the mobile phone holder of FIG. 20.

FIG. 26 is a bottom view of the mobile phone holder of FIG. 20.

FIG. 27 is an enlarged view of the encircled portion D of the mobile phone holder of FIG. 20.

FIG. 28 is an enlarged view of the encircled portion E of the mobile phone holder of FIG. 20.

FIG. 29 is a perspective view of the mobile phone holder of FIG. 20, showing the mobile phone holder in a state of use.

FIG. 30 is a perspective view of a mobile phone holder according to a fourth embodiment.

FIG. 31 is a front view of the mobile phone holder of FIG. 30.

FIG. 32 is a rear view of the mobile phone holder of FIG. 30.

FIG. 33 is a left side view of the mobile phone holder of FIG. 30.

FIG. 34 is a right side view of the mobile phone holder of FIG. 30.

FIG. 35 is a top view of the mobile phone holder of FIG. 30.

FIG. 36 is a bottom view of the mobile phone holder of FIG. 30.

FIG. 37 is an enlarged view of the encircled portion F of the mobile phone holder of FIG. 30.

FIG. 38 is an enlarged view of the encircled portion G of the mobile phone holder of FIG. 30.

FIG. 39 is a perspective view of the mobile phone holder of FIG. 30, showing the mobile phone holder in a state of use.

FIG. 40 is a perspective view of a mobile phone holder according to a fifth embodiment.

FIG. 41 is a front view of the mobile phone holder of FIG. 40.

FIG. 42 is a rear view of the mobile phone holder of FIG. 40.

FIG. 43 is a left side view of the mobile phone holder of FIG. 40.

FIG. 44 is a right side view of the mobile phone holder of FIG. 40.

FIG. 45 is a top view of the mobile phone holder of FIG. 40.

FIG. 46 is a bottom view of the mobile phone holder of FIG. 40.

FIG. 47 is an enlarged view of the encircled portion H of the mobile phone holder of FIG. 40; and,

FIG. 48 is a perspective view of the mobile phone holder of FIG. 40, showing the mobile phone holder in a state of use. The broken line showing of the environment is for illustrative purposes only and forms no part of the claimed design.

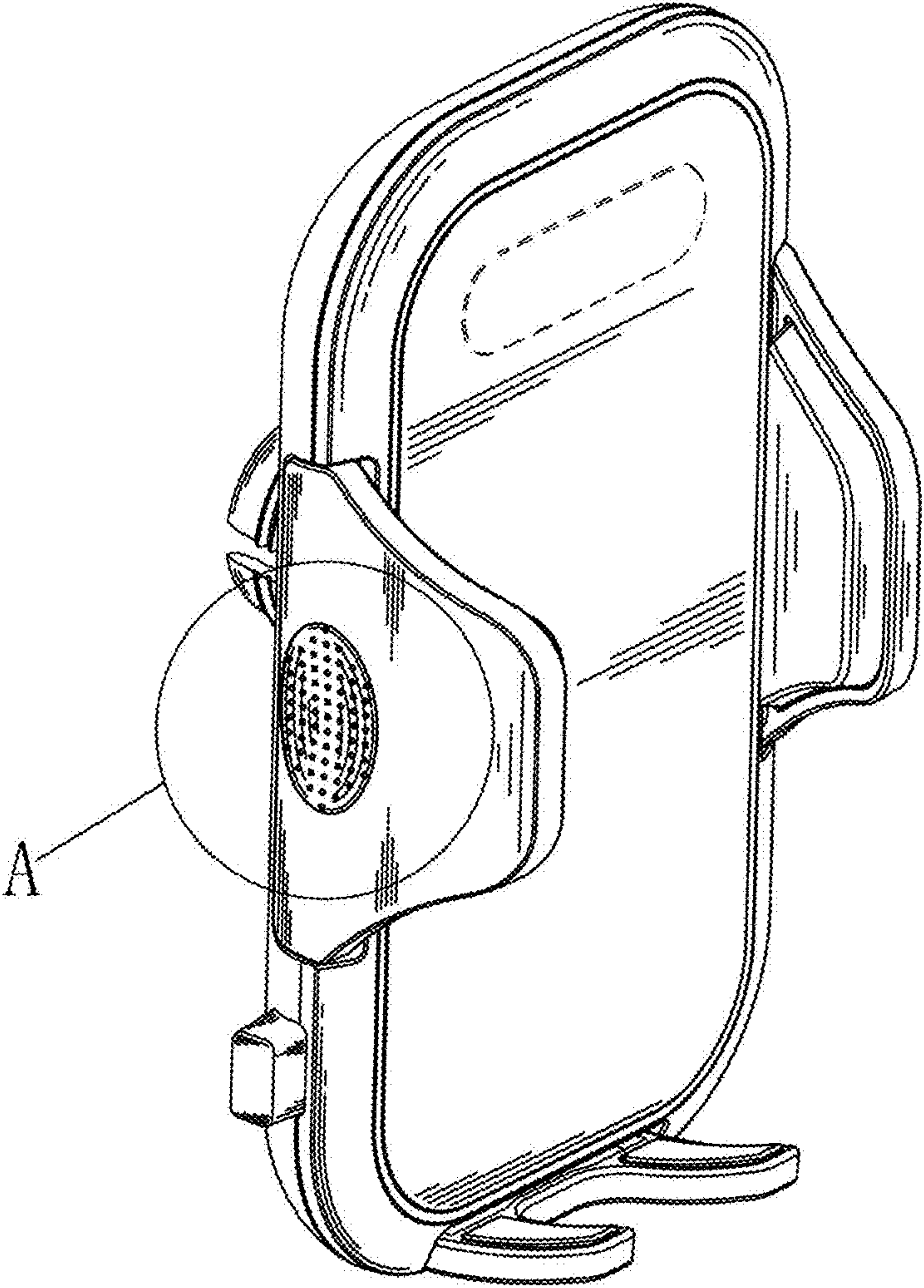


Fig. 1

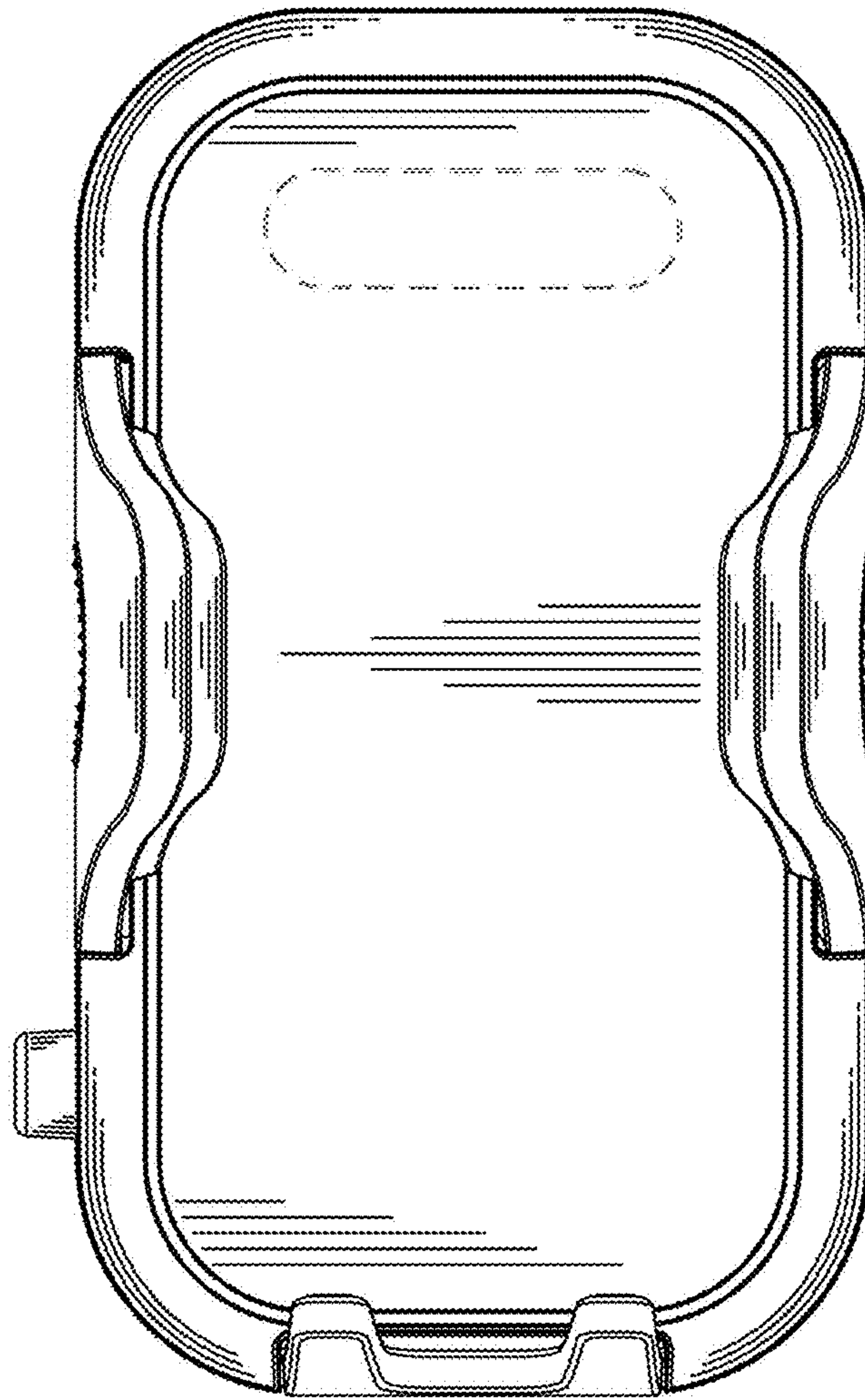


Fig. 2



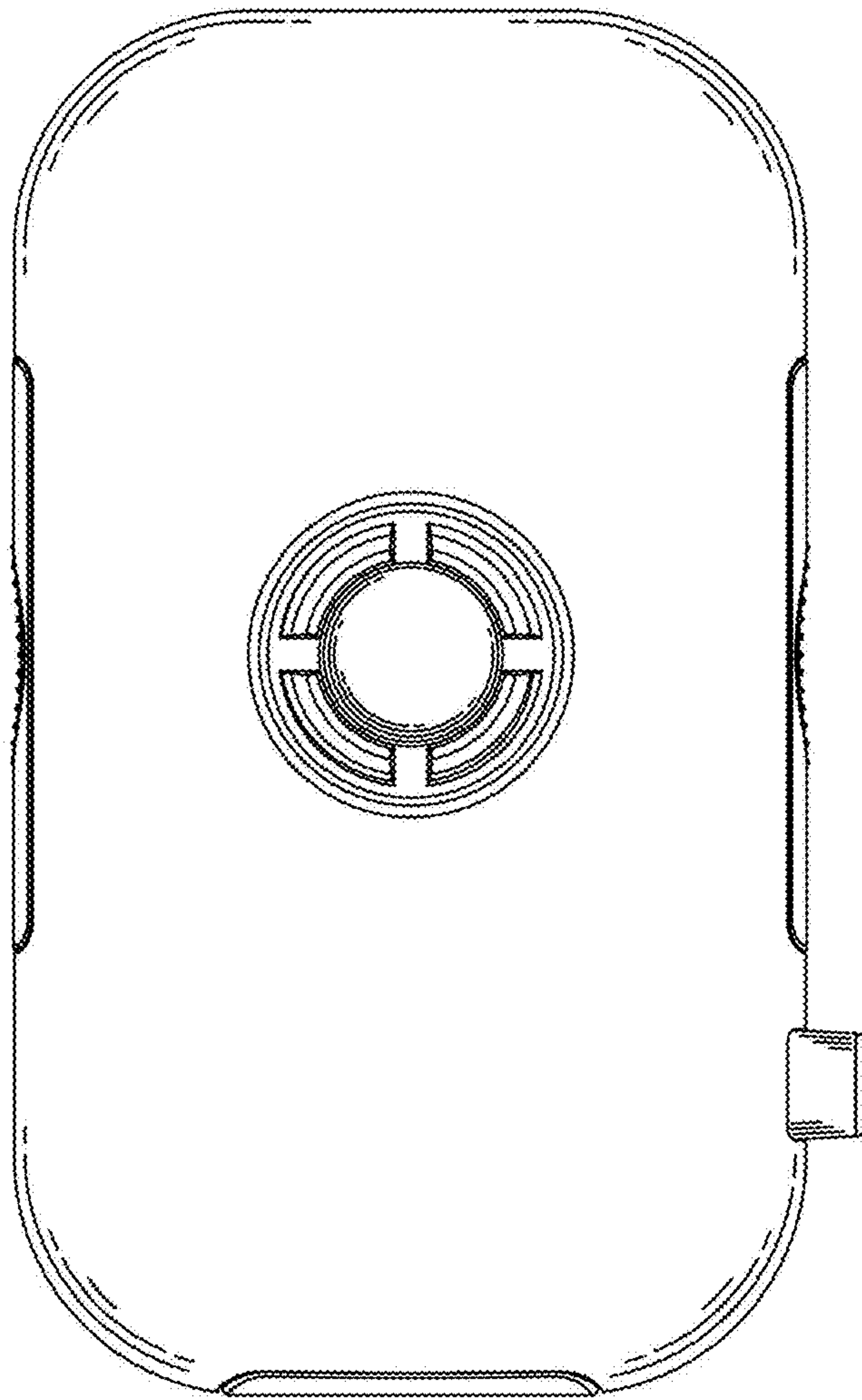


Fig. 3

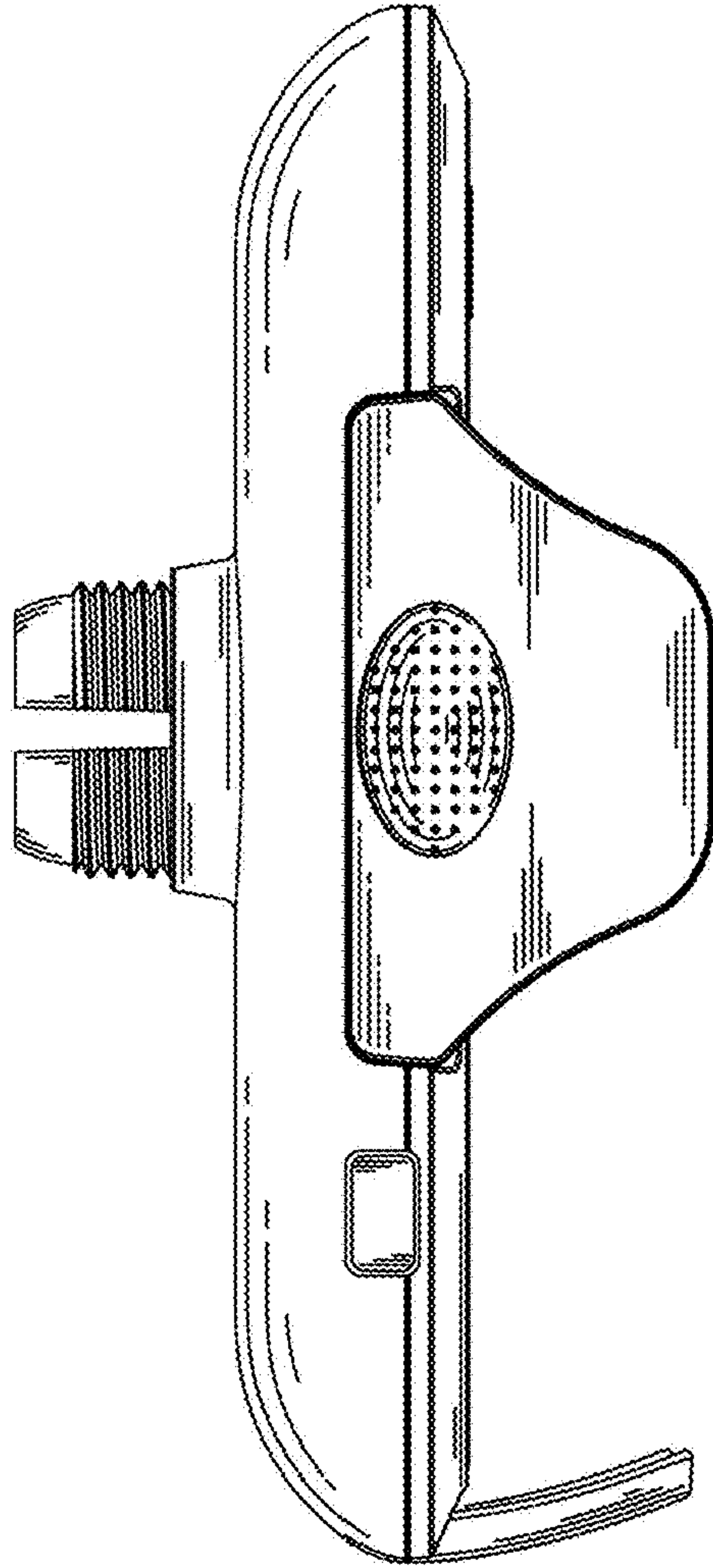


Fig. 4

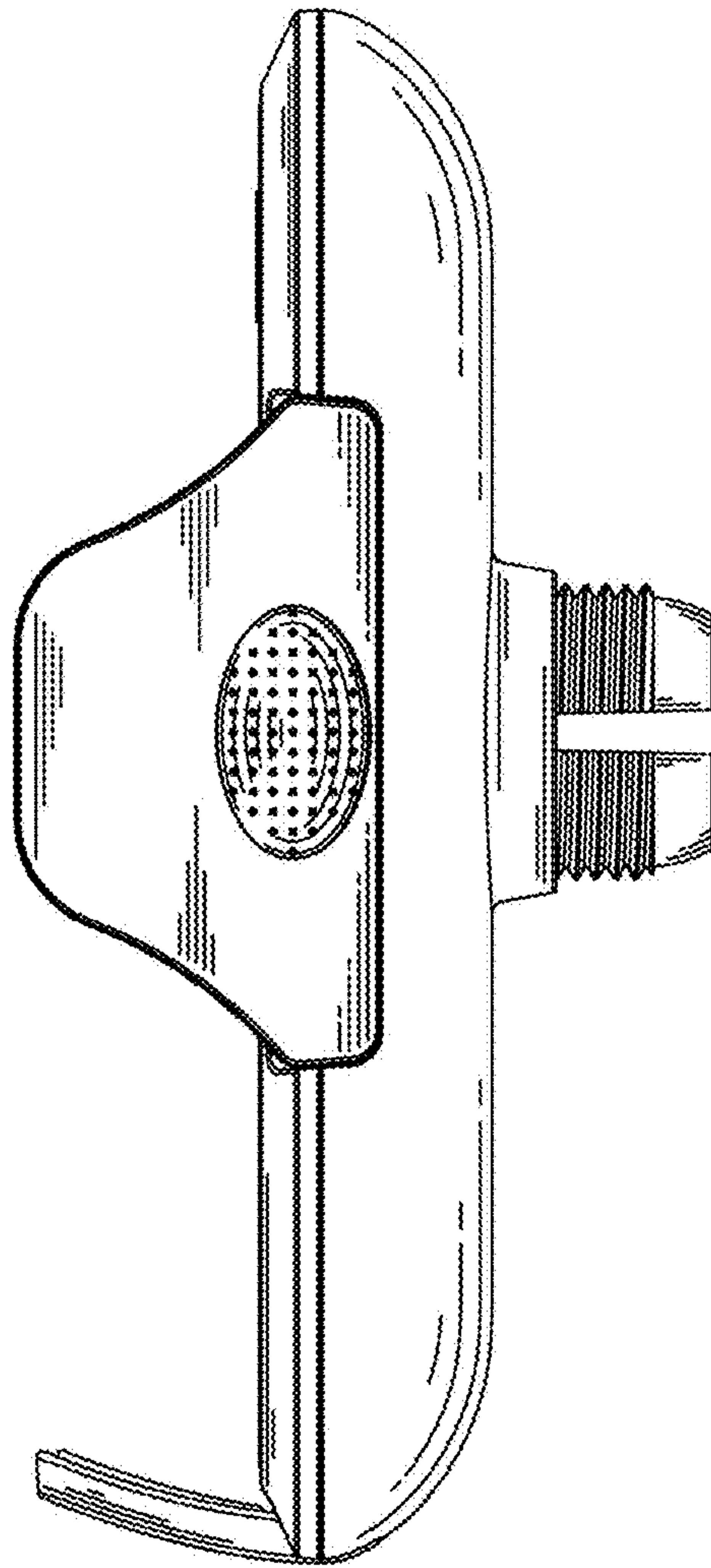


Fig. 5

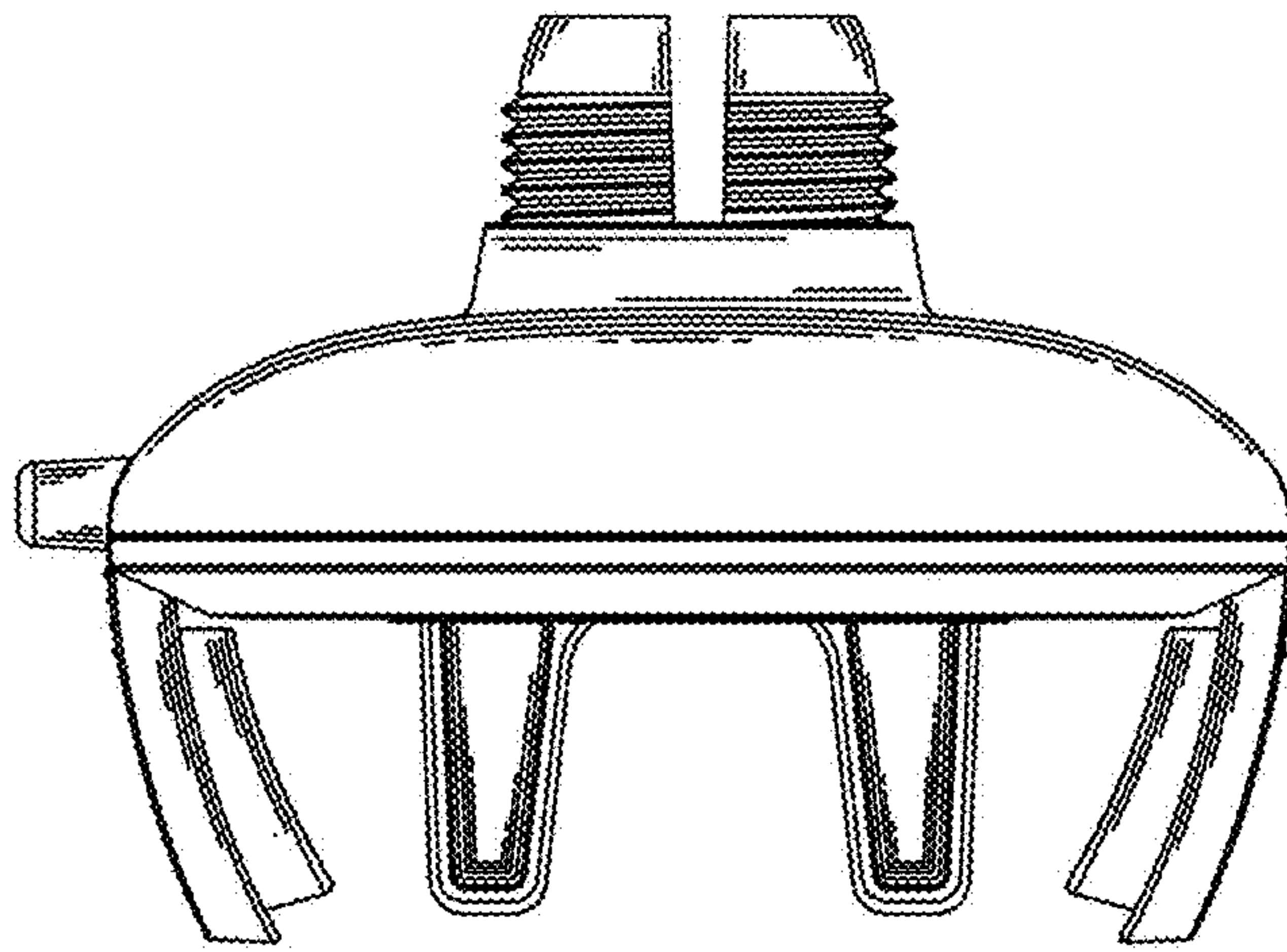


Fig. 6



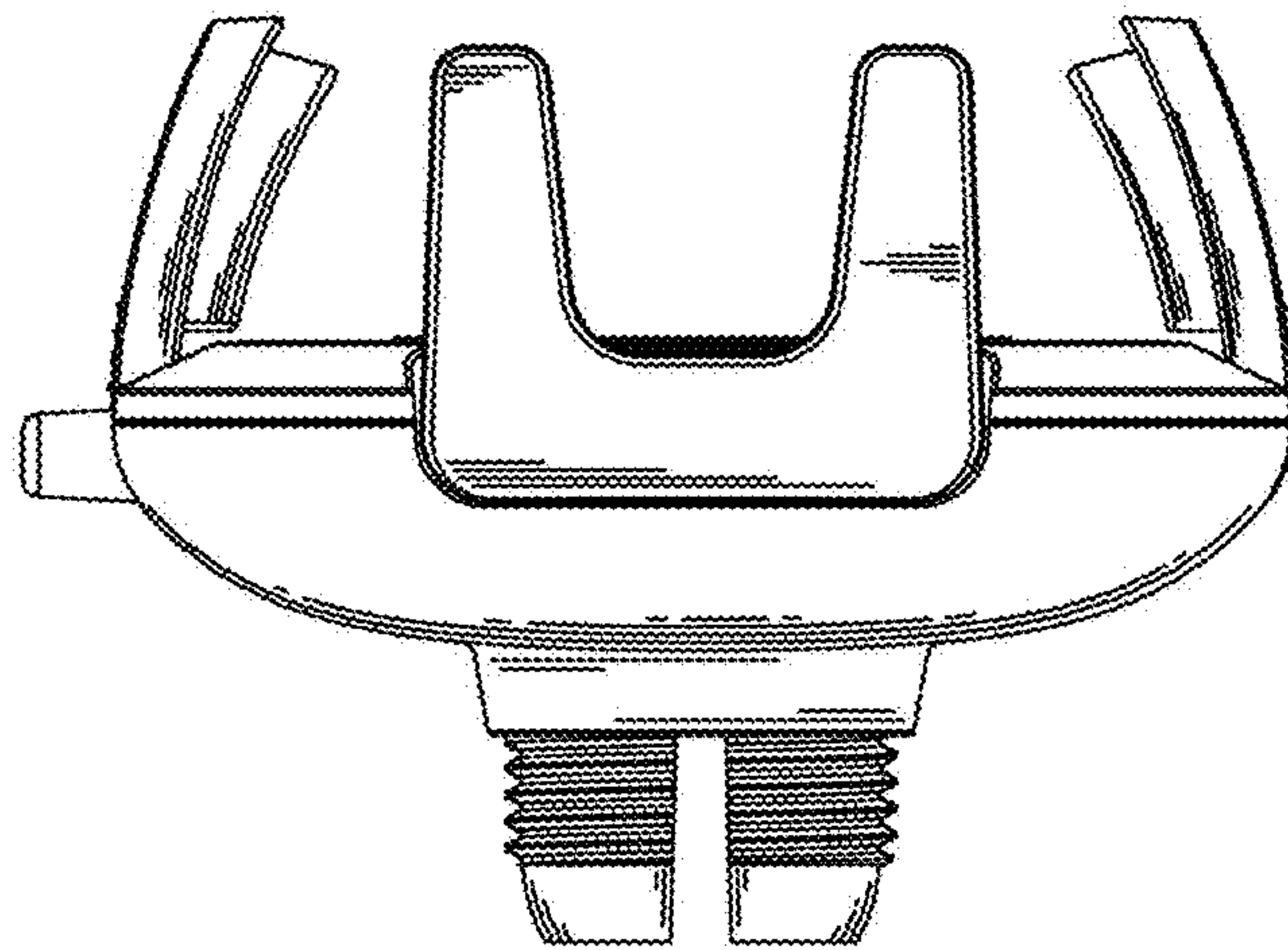


Fig. 7

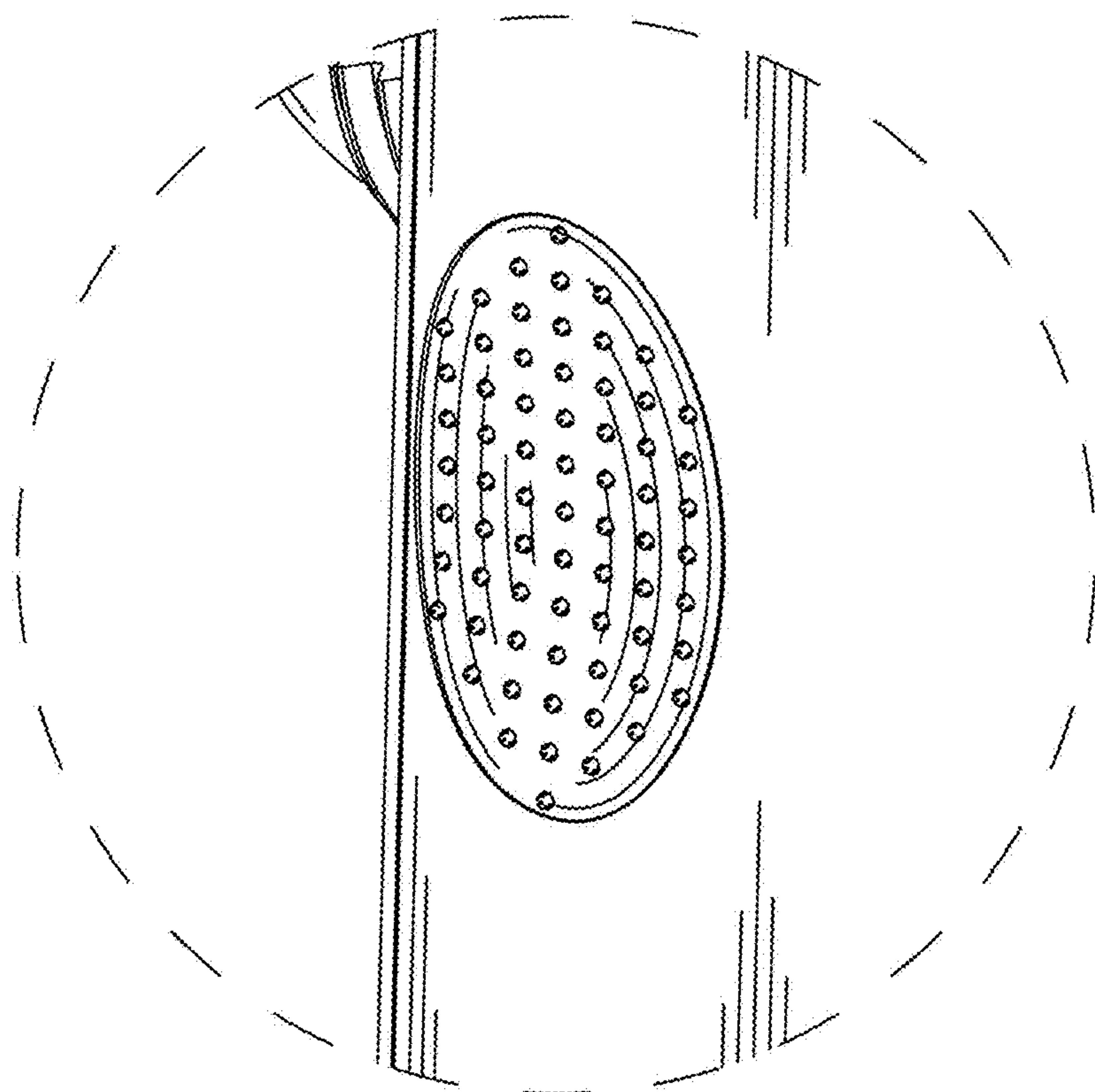


Fig. 8

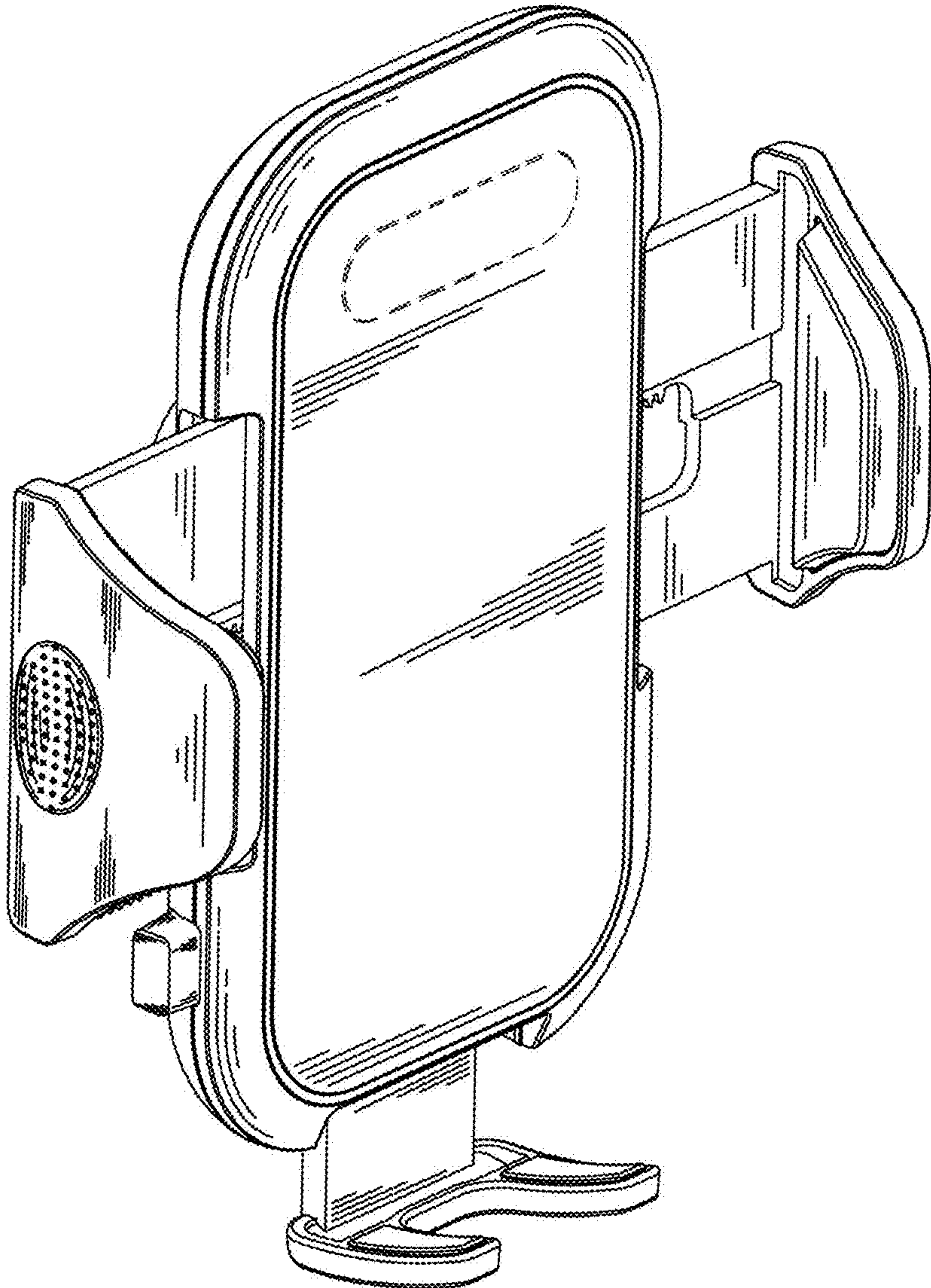


Fig. 9



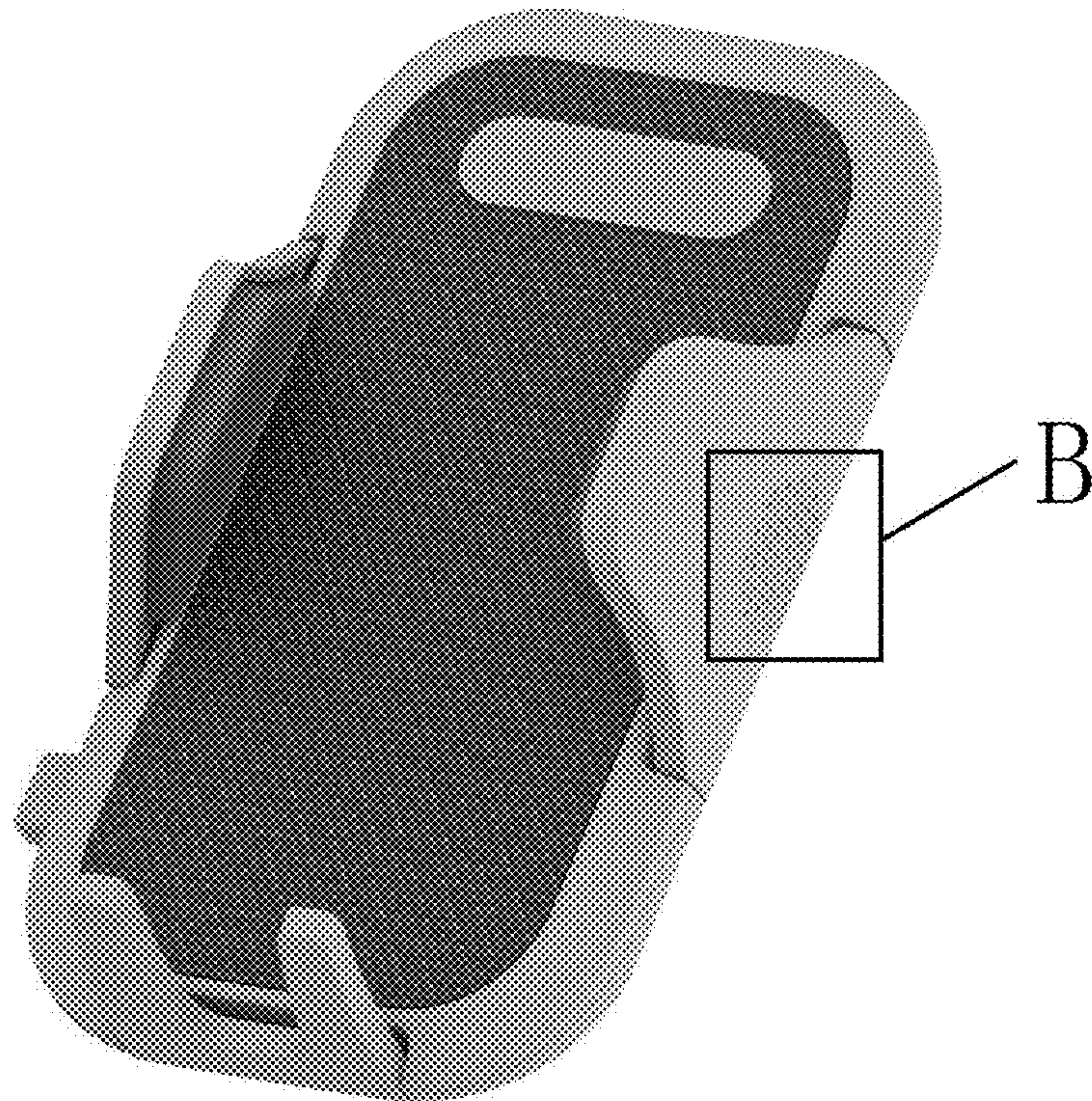


Fig. 10



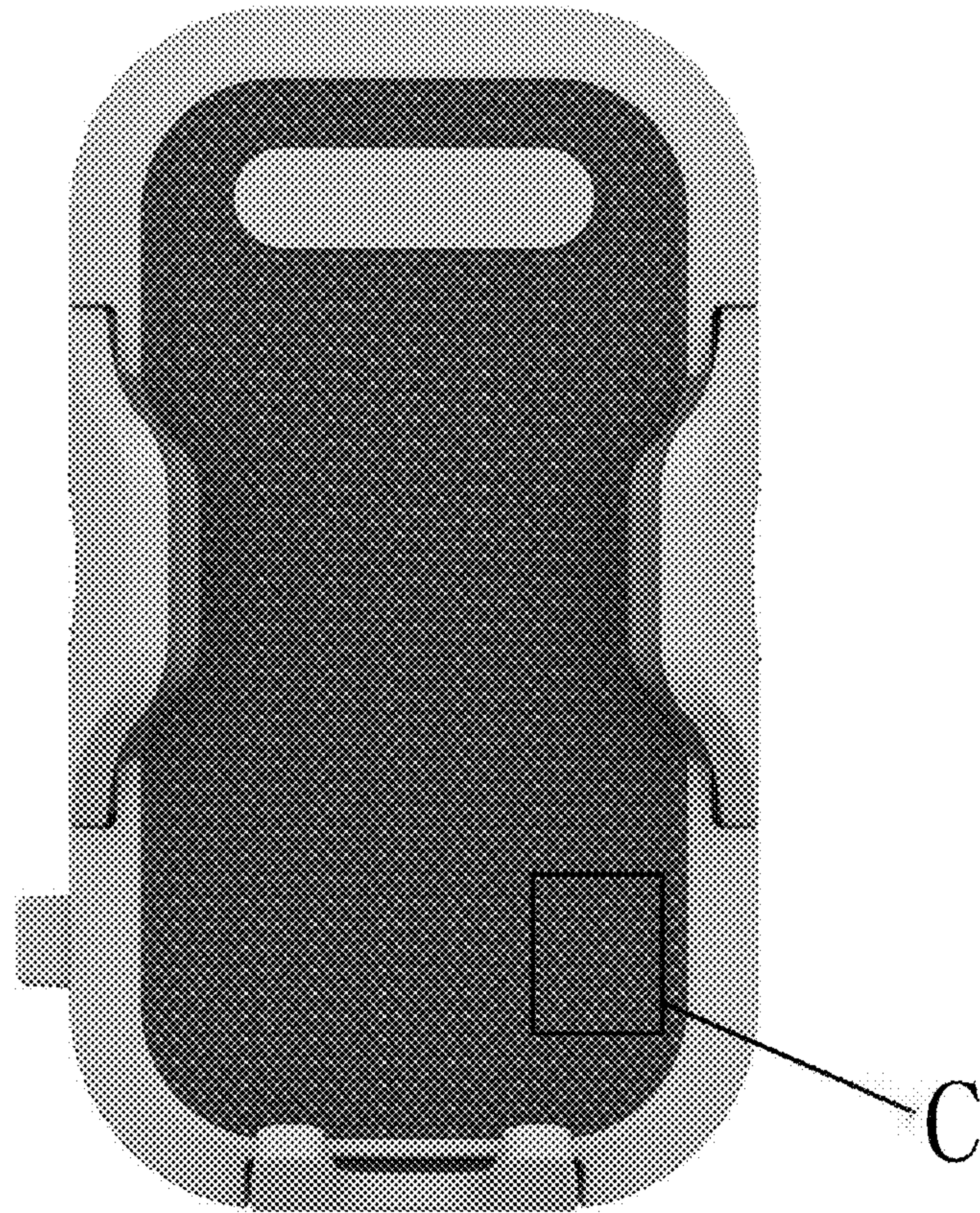


Fig. 11

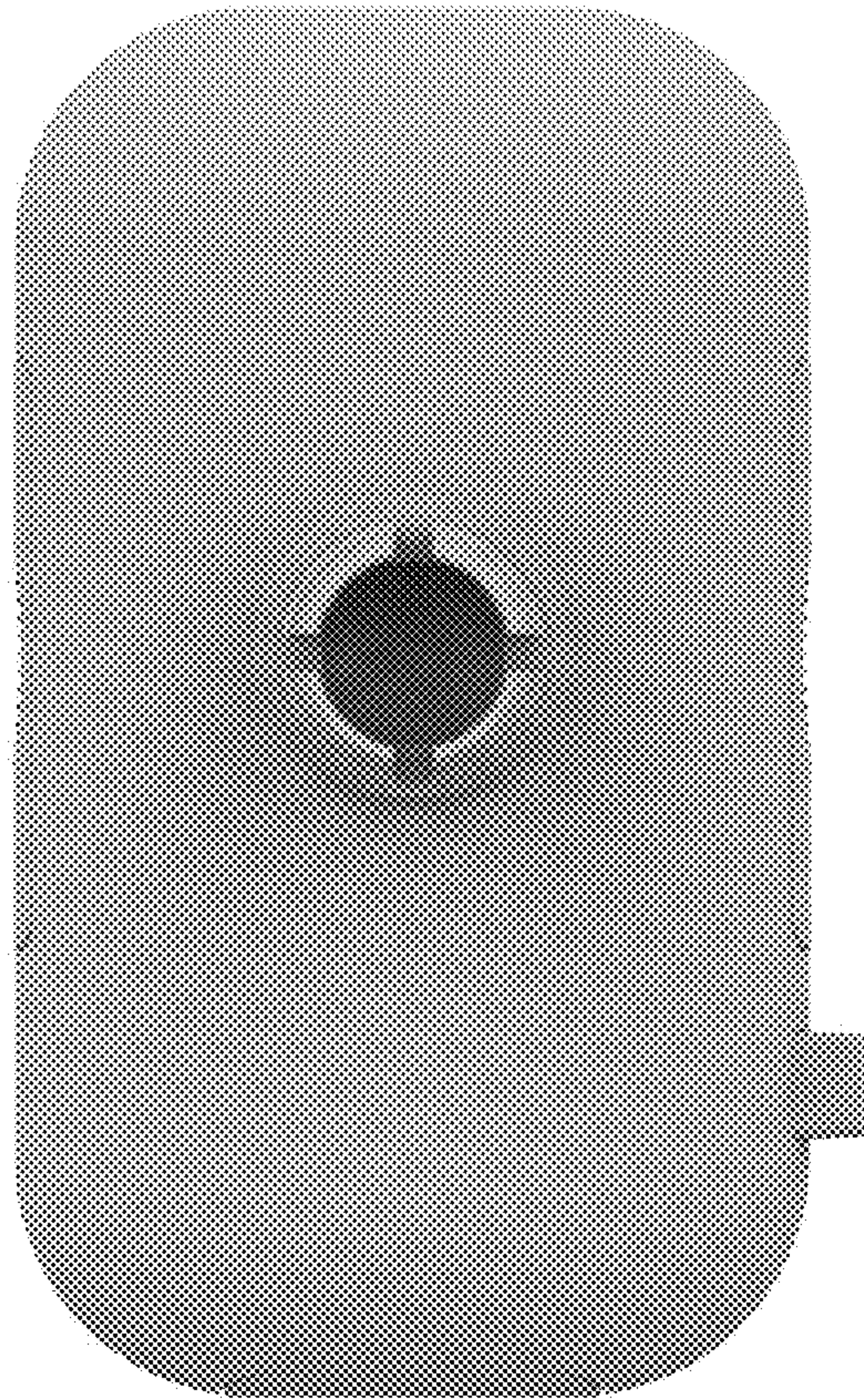


Fig. 12



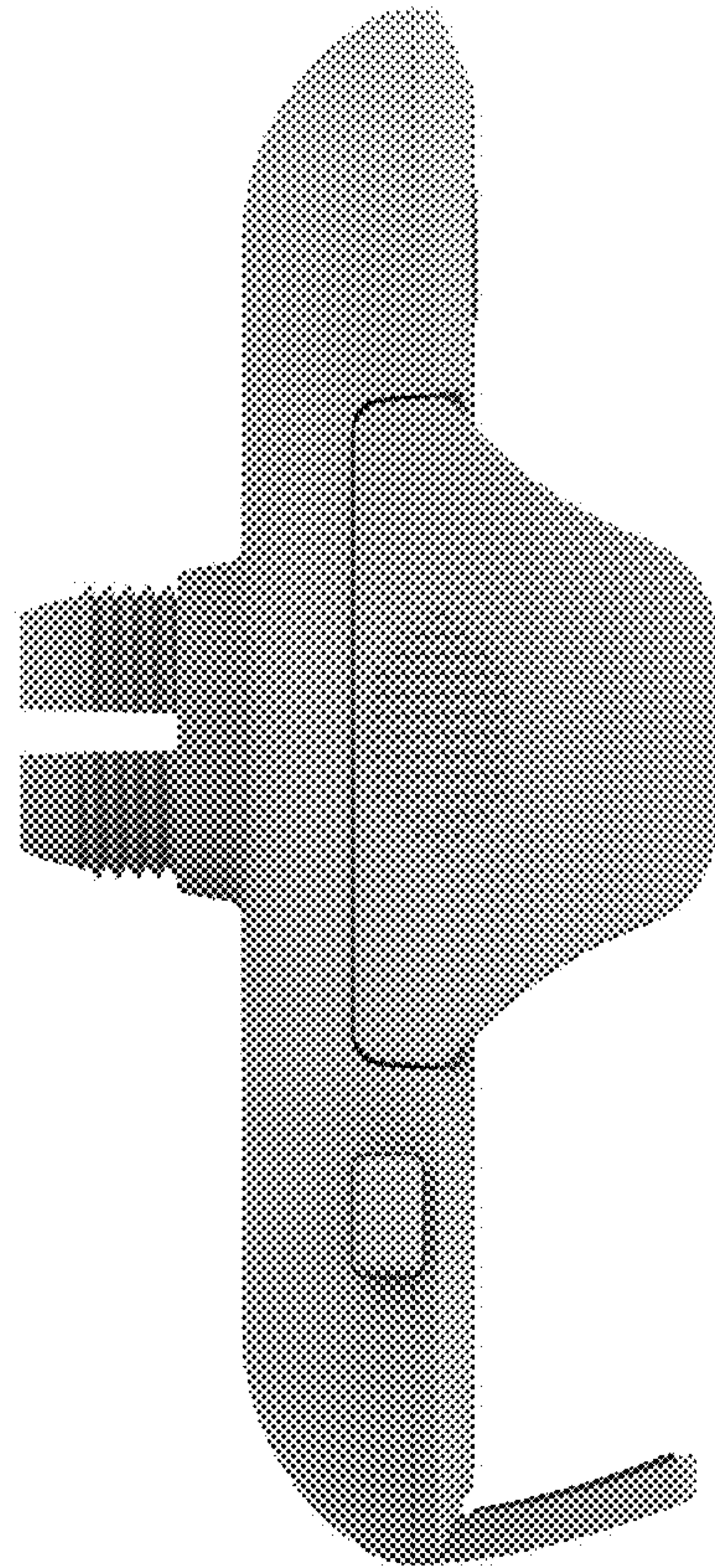


Fig. 13

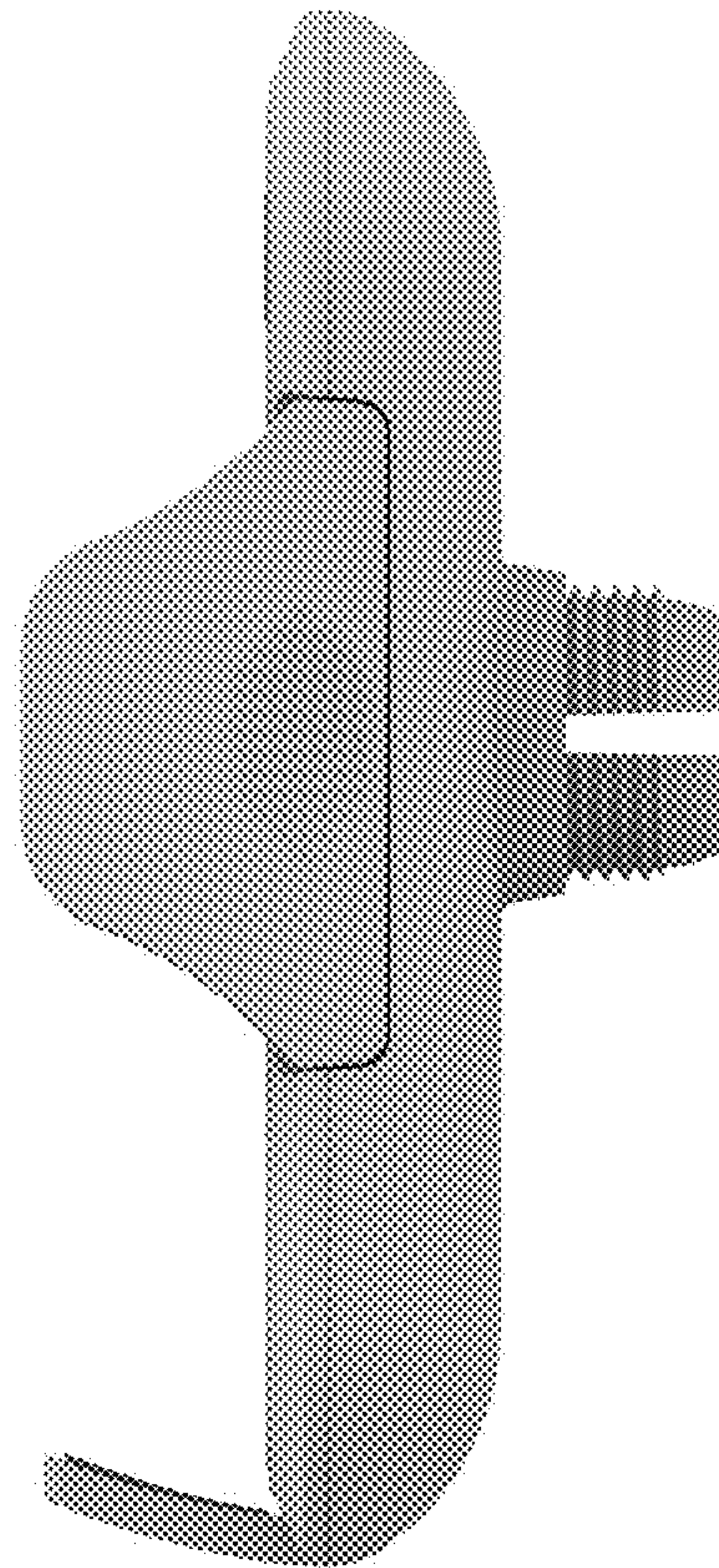


Fig. 14



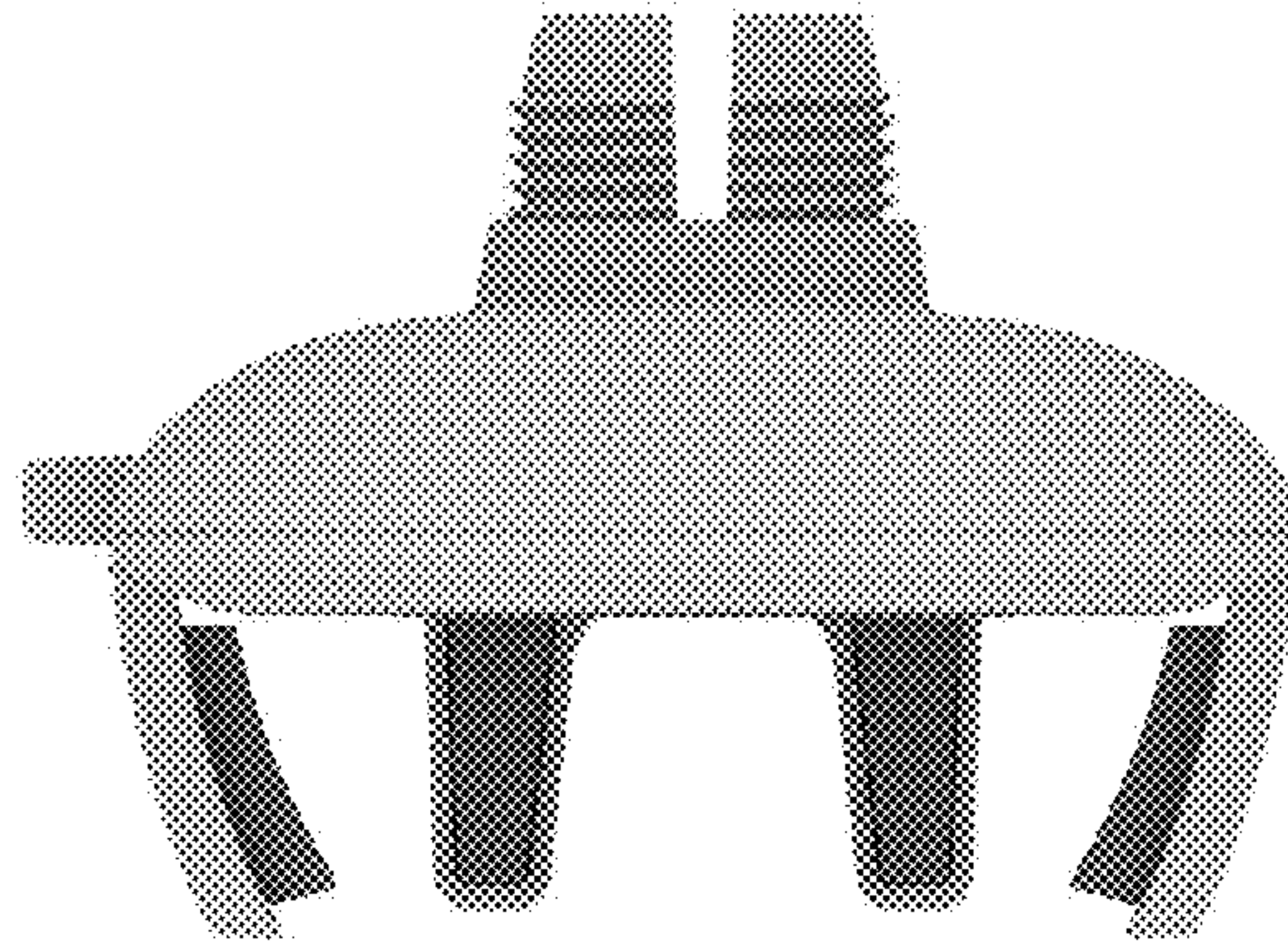


Fig. 15

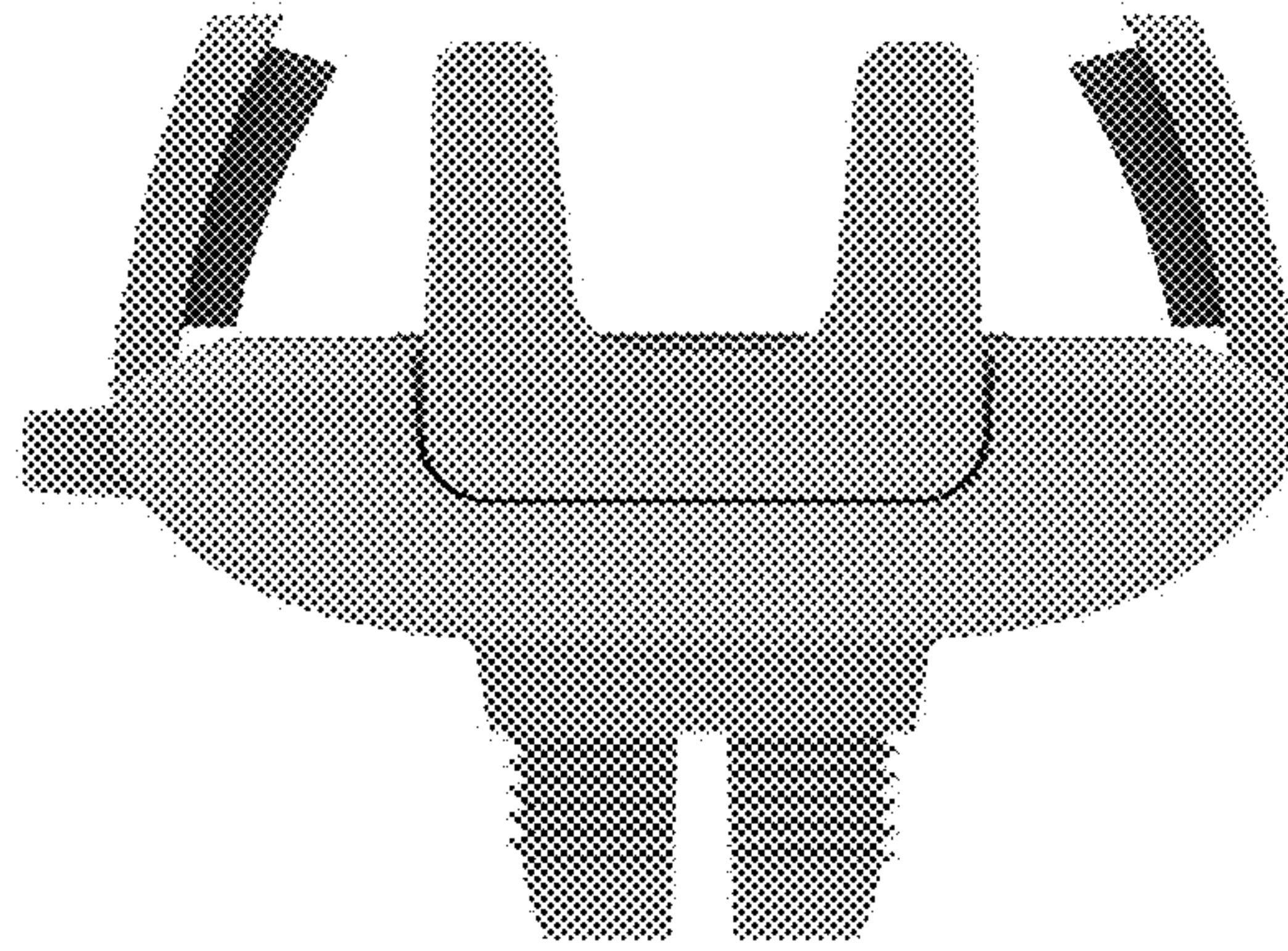


Fig. 16

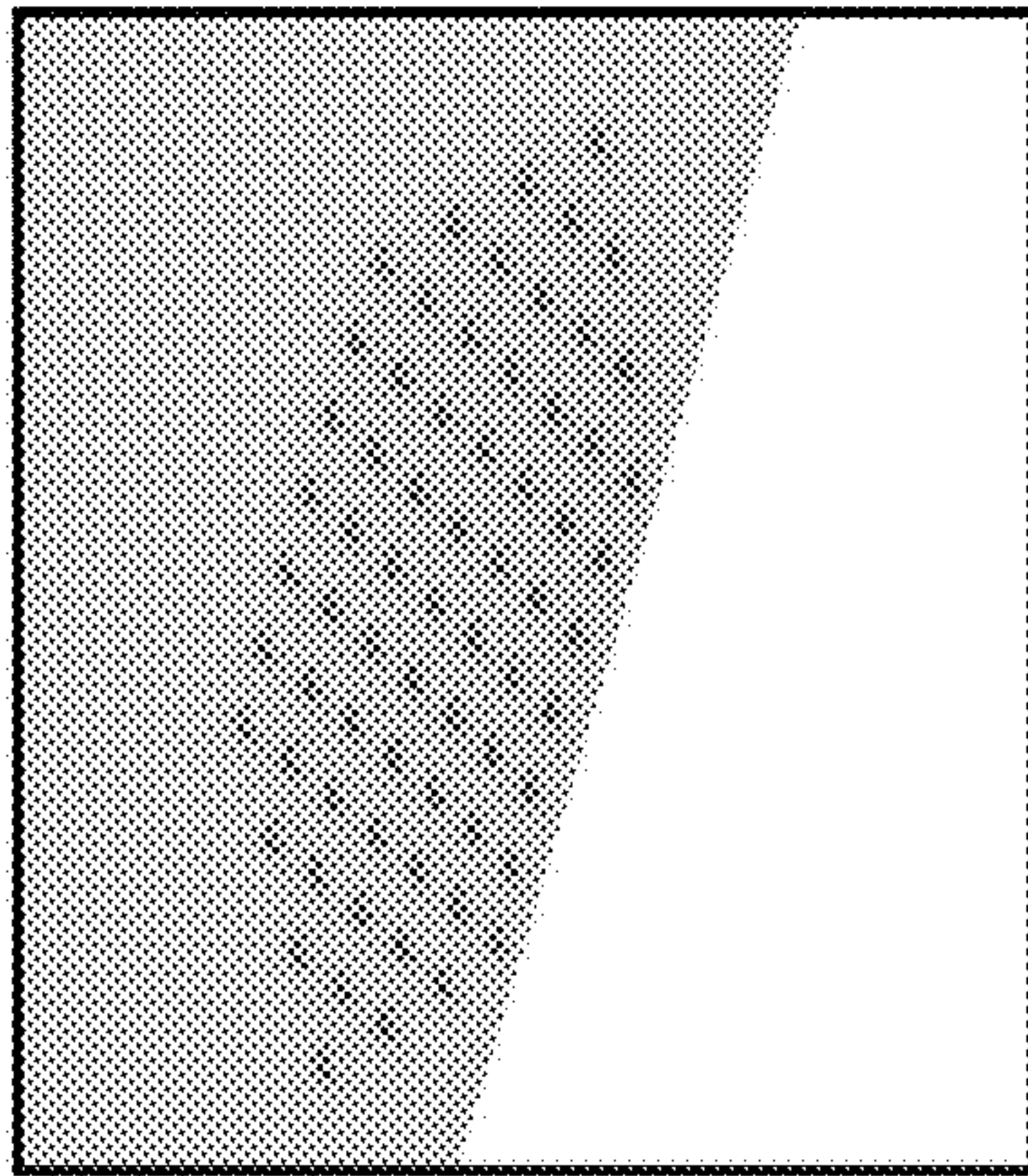


Fig. 17

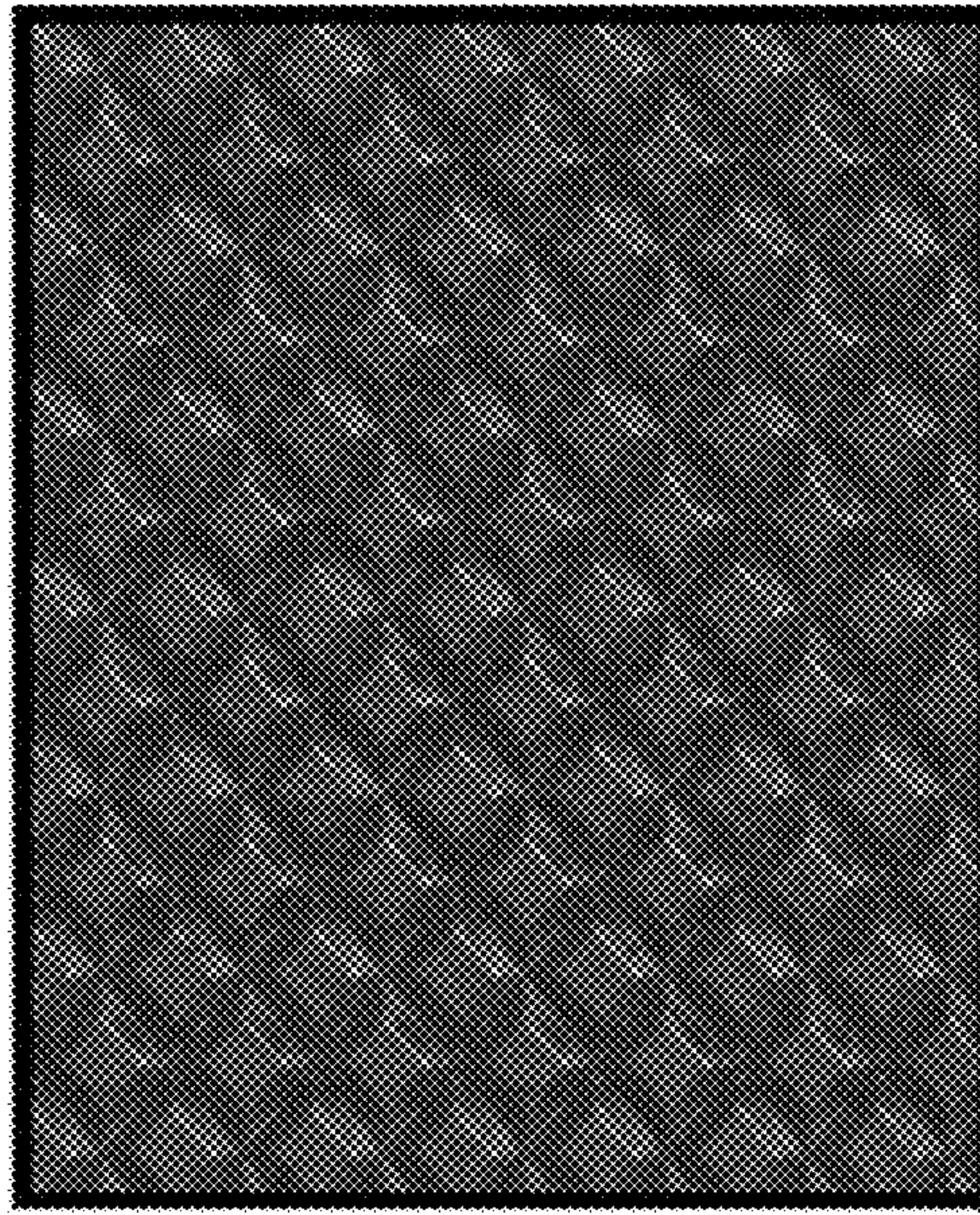


Fig. 18



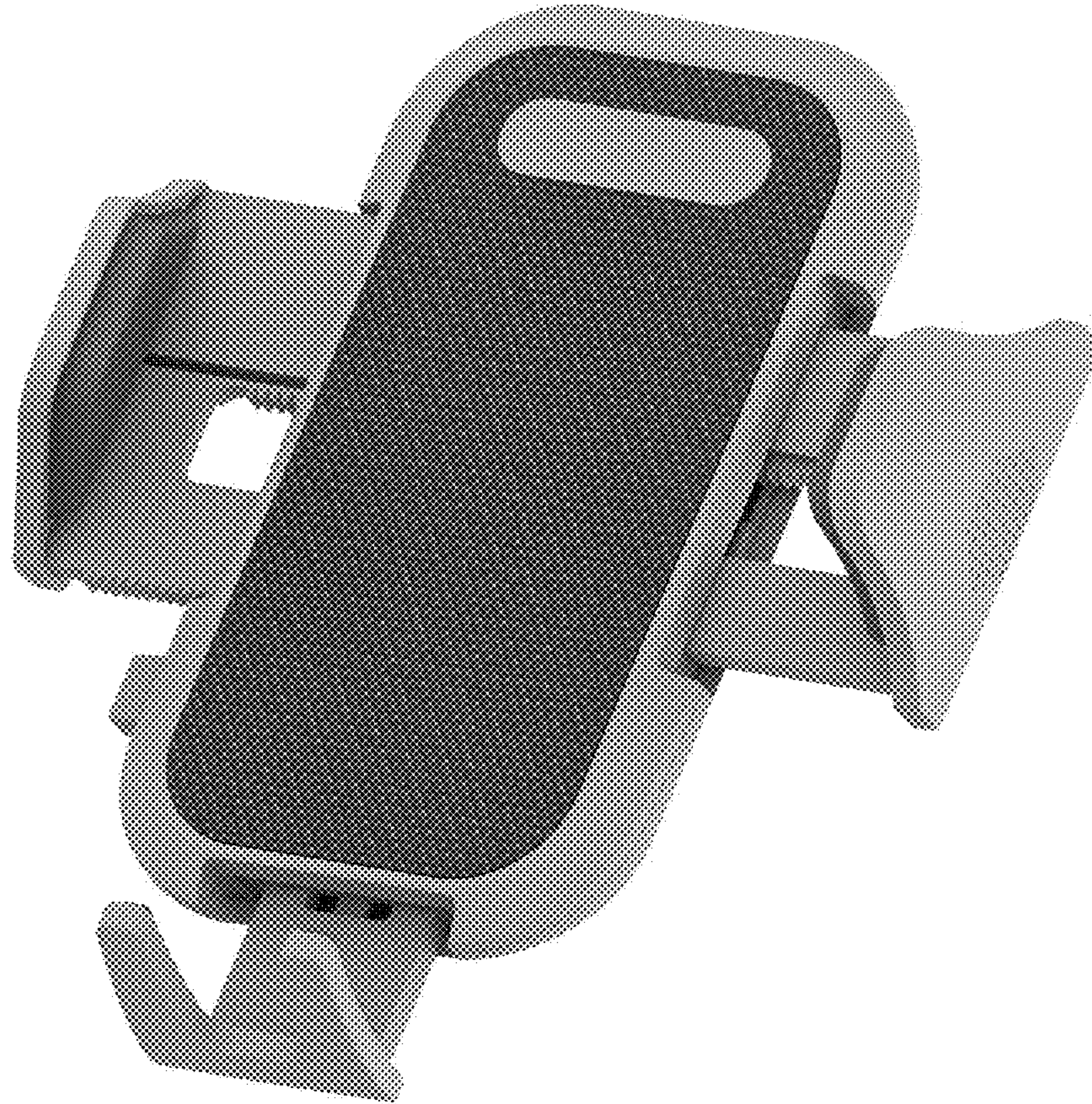


Fig. 19



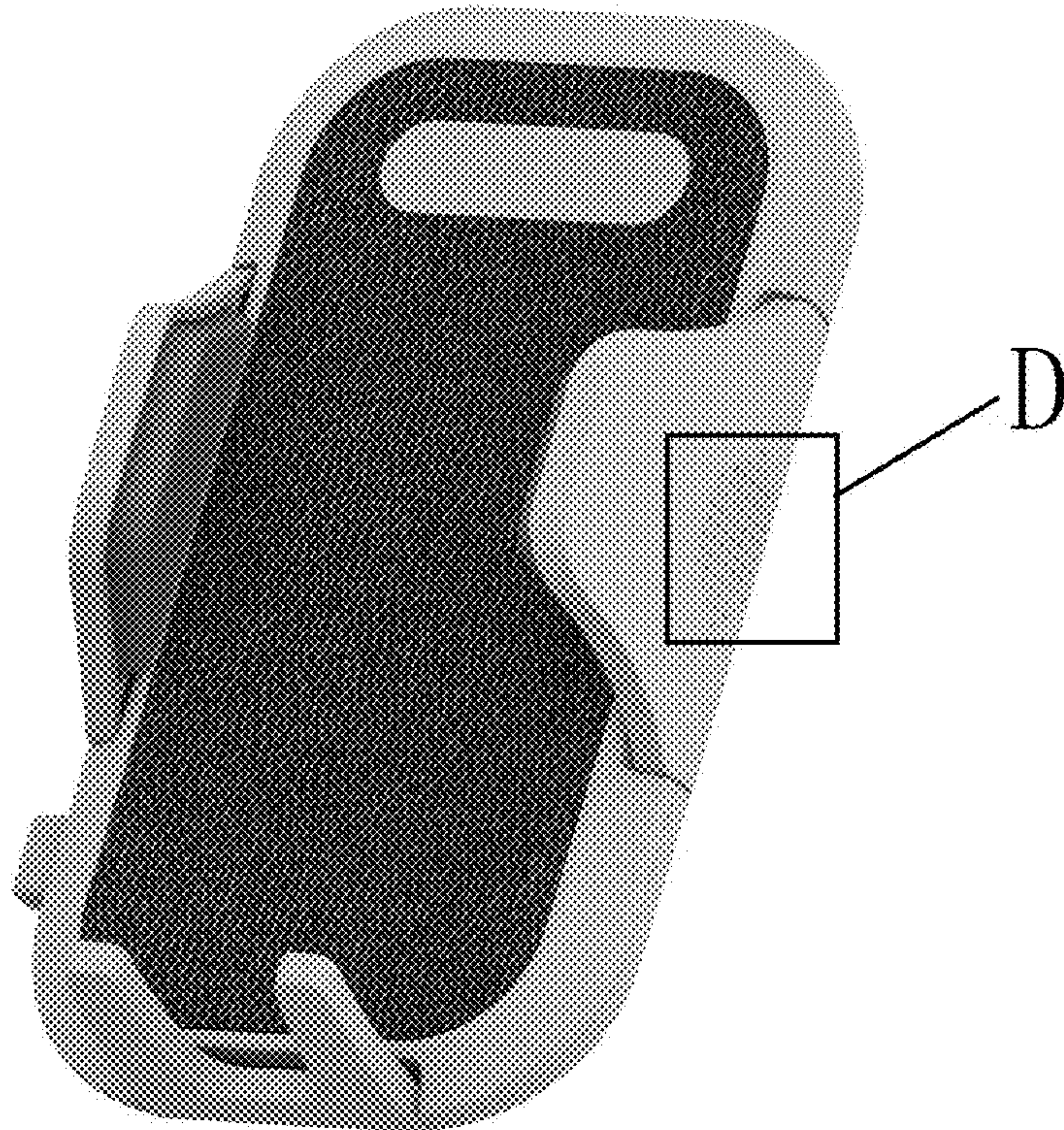


Fig. 20

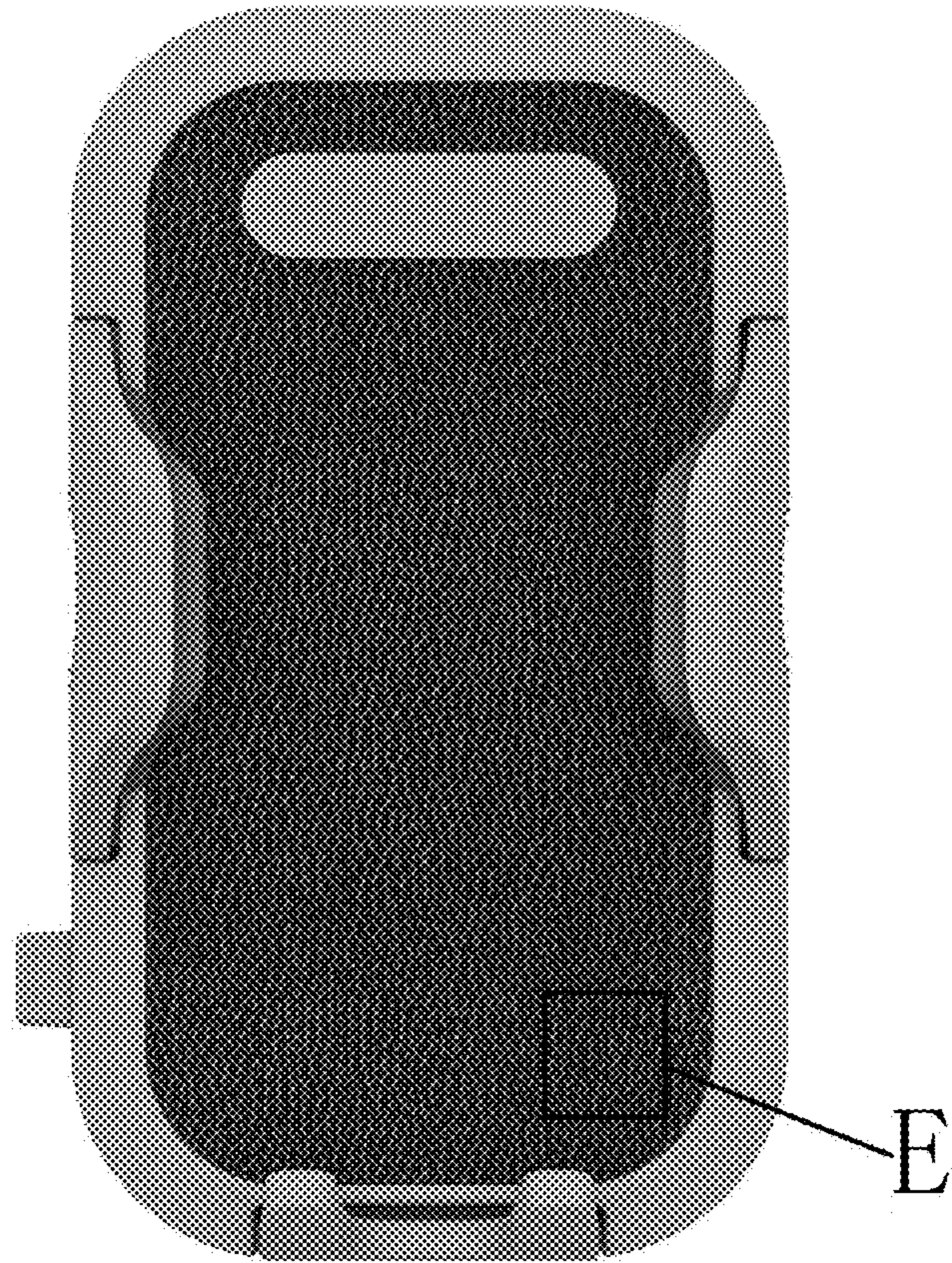


Fig. 21



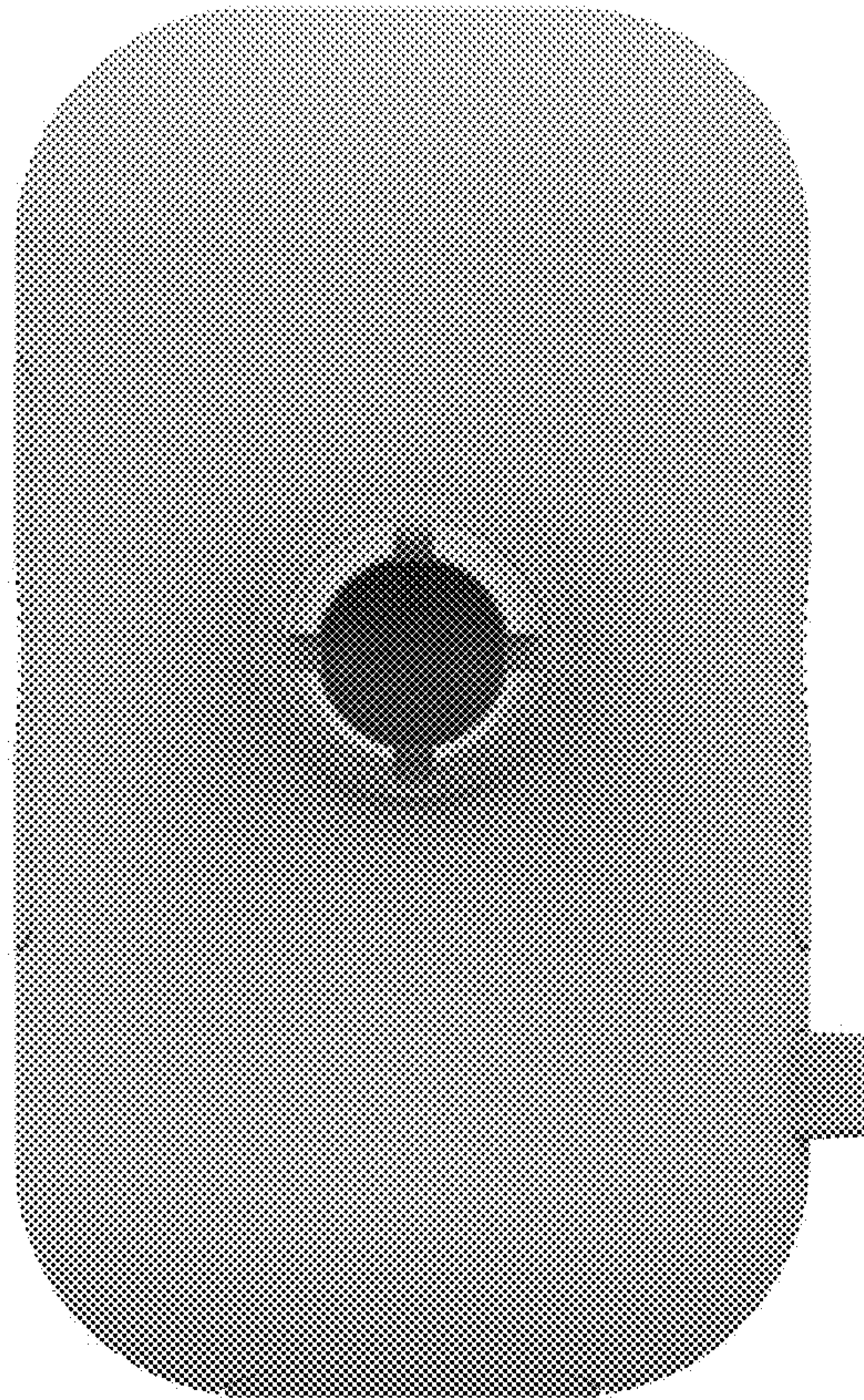


Fig. 22



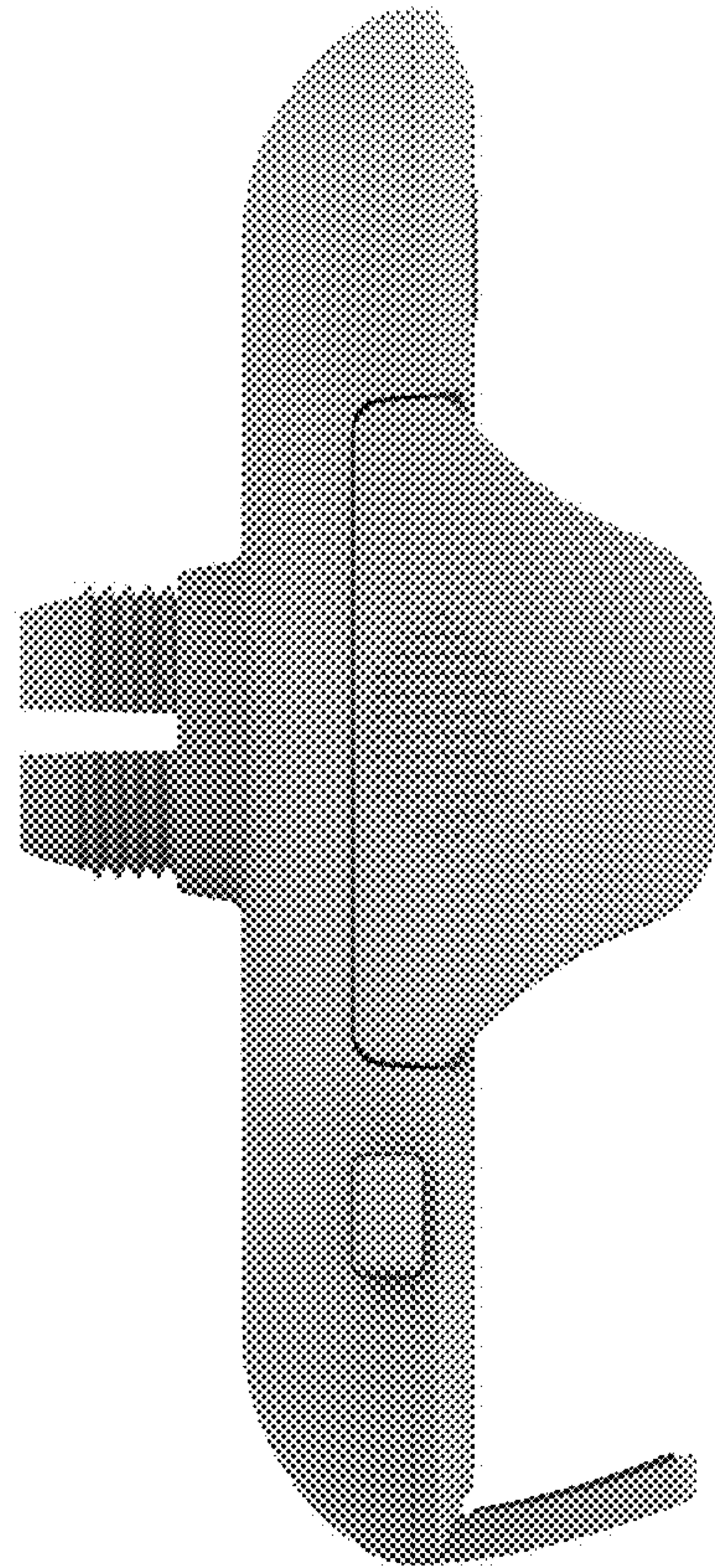


Fig. 23

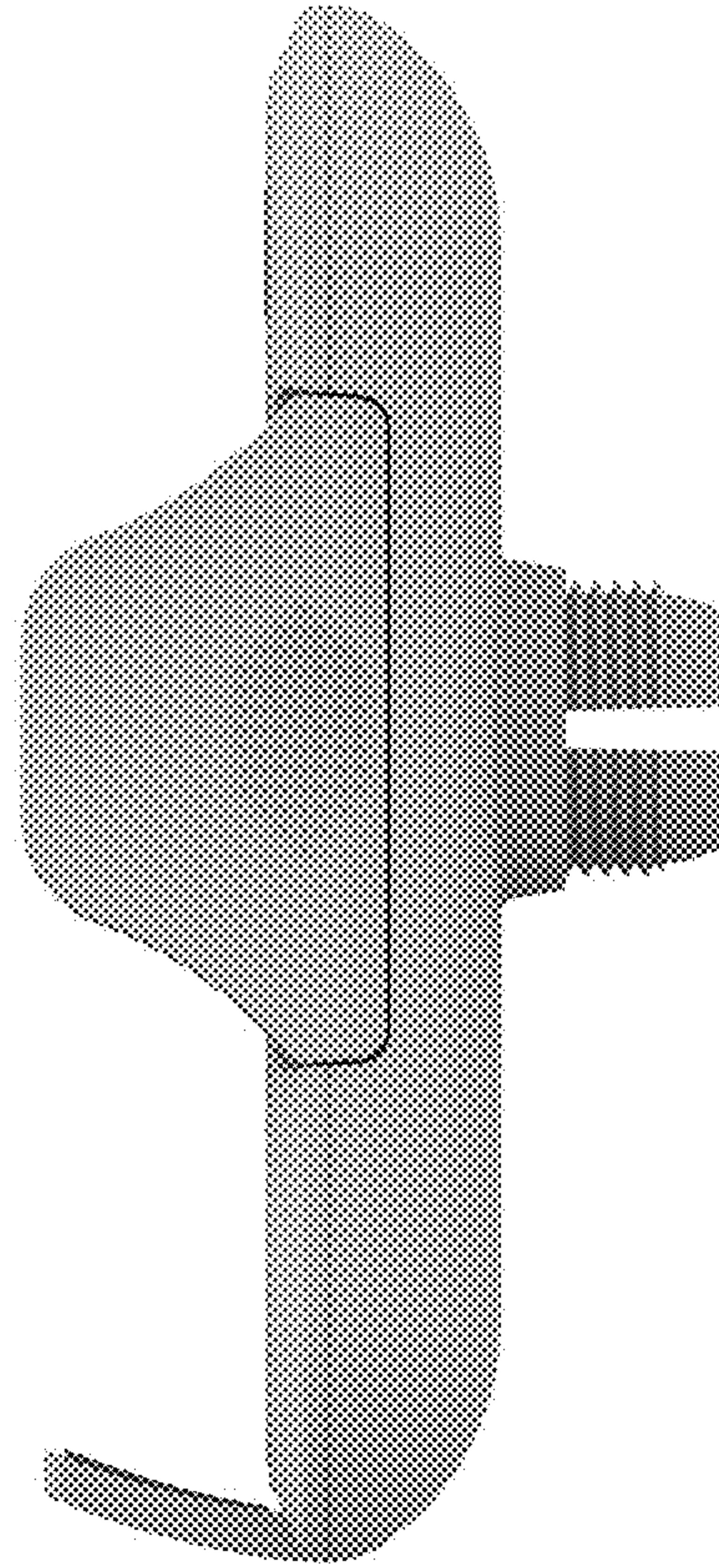


Fig. 24

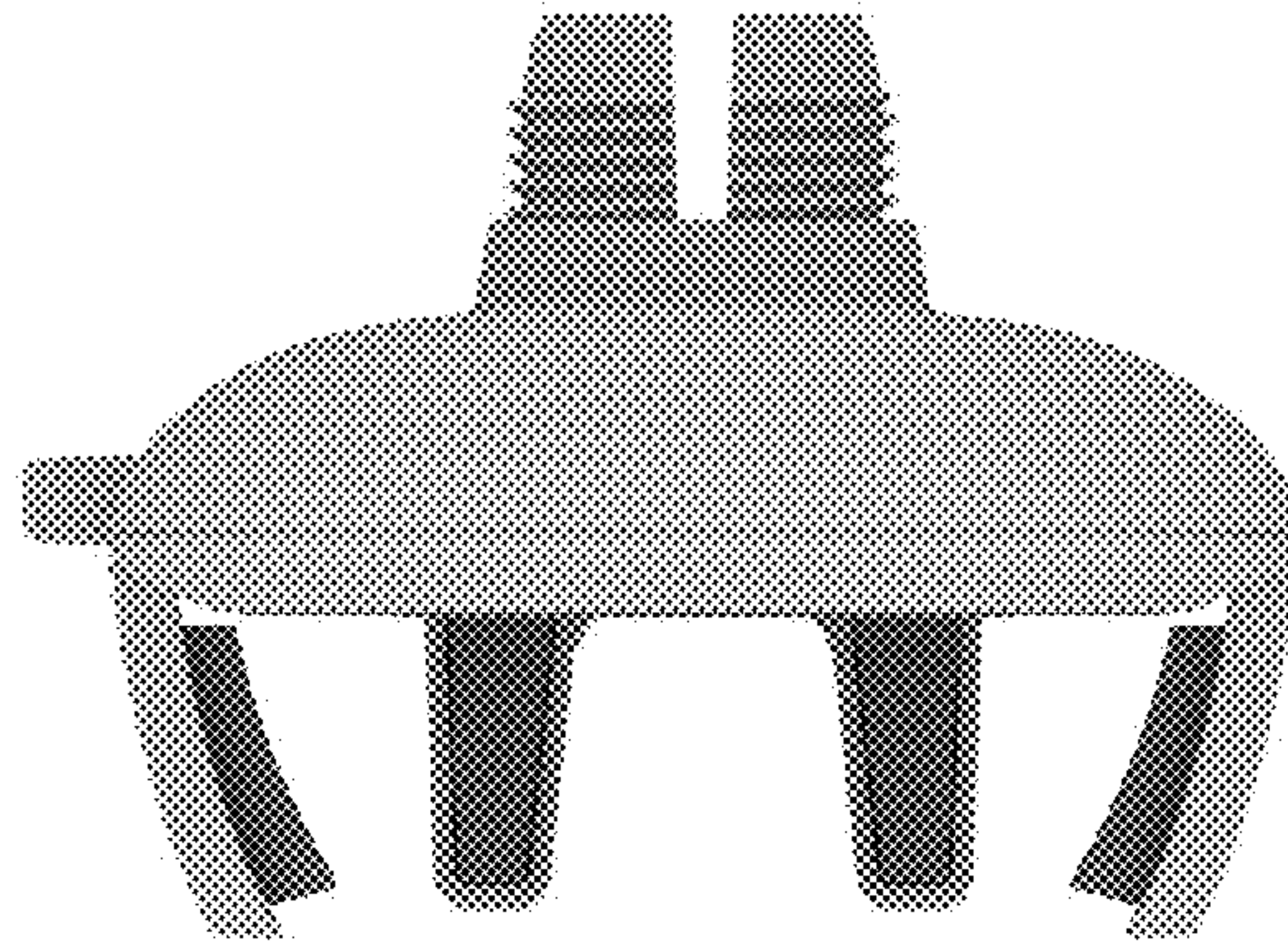


Fig. 25

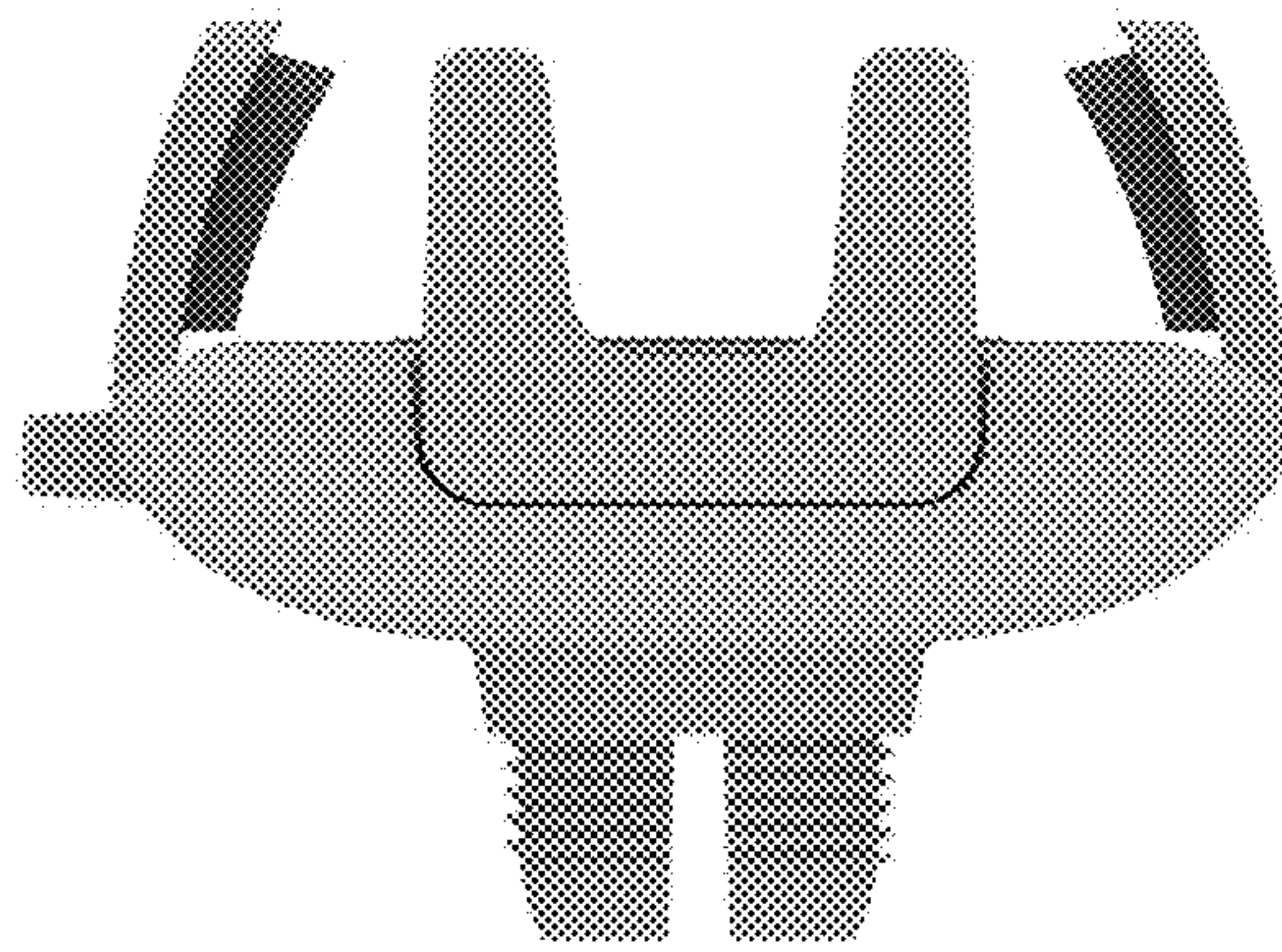


Fig. 26



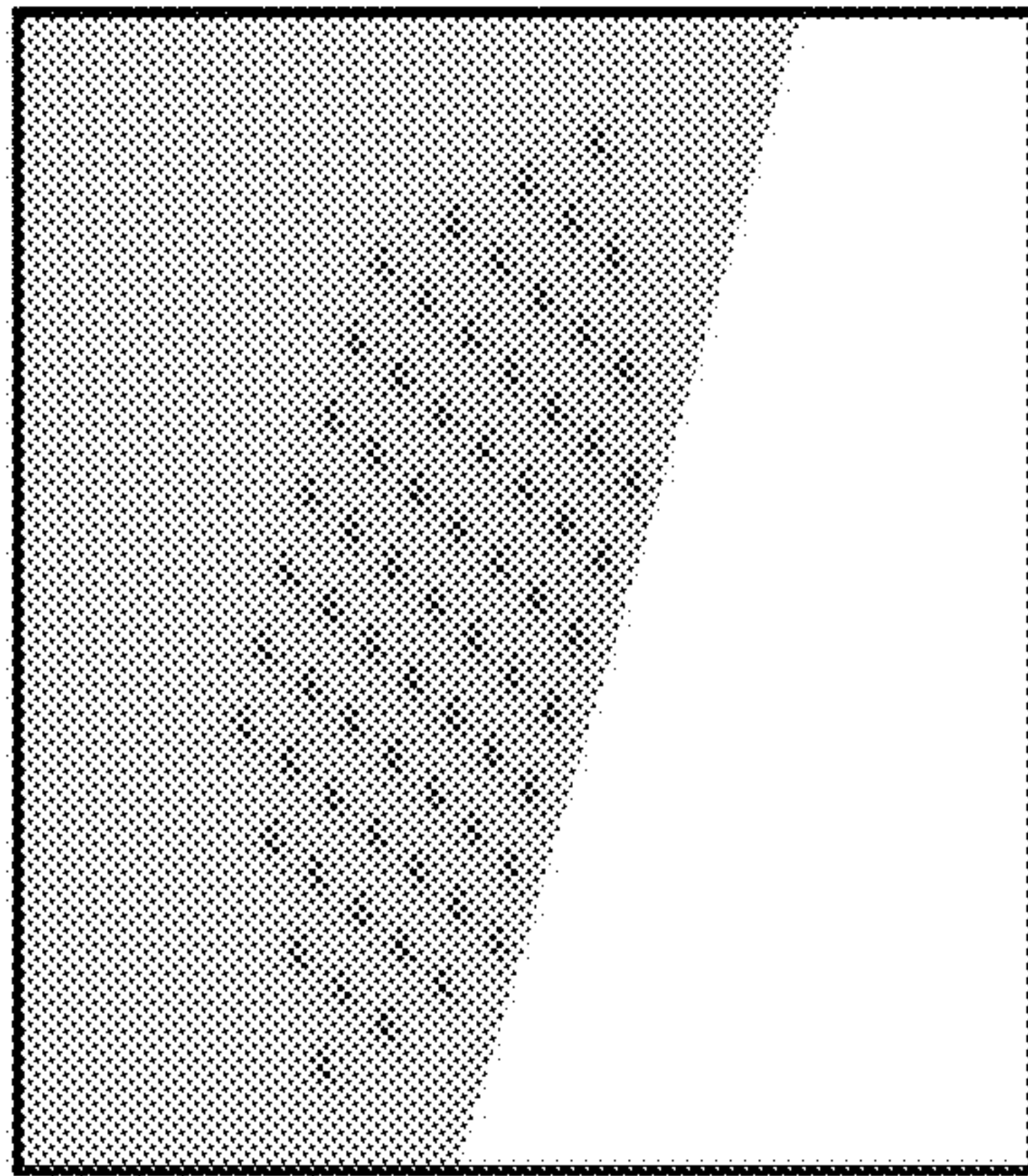


Fig. 27

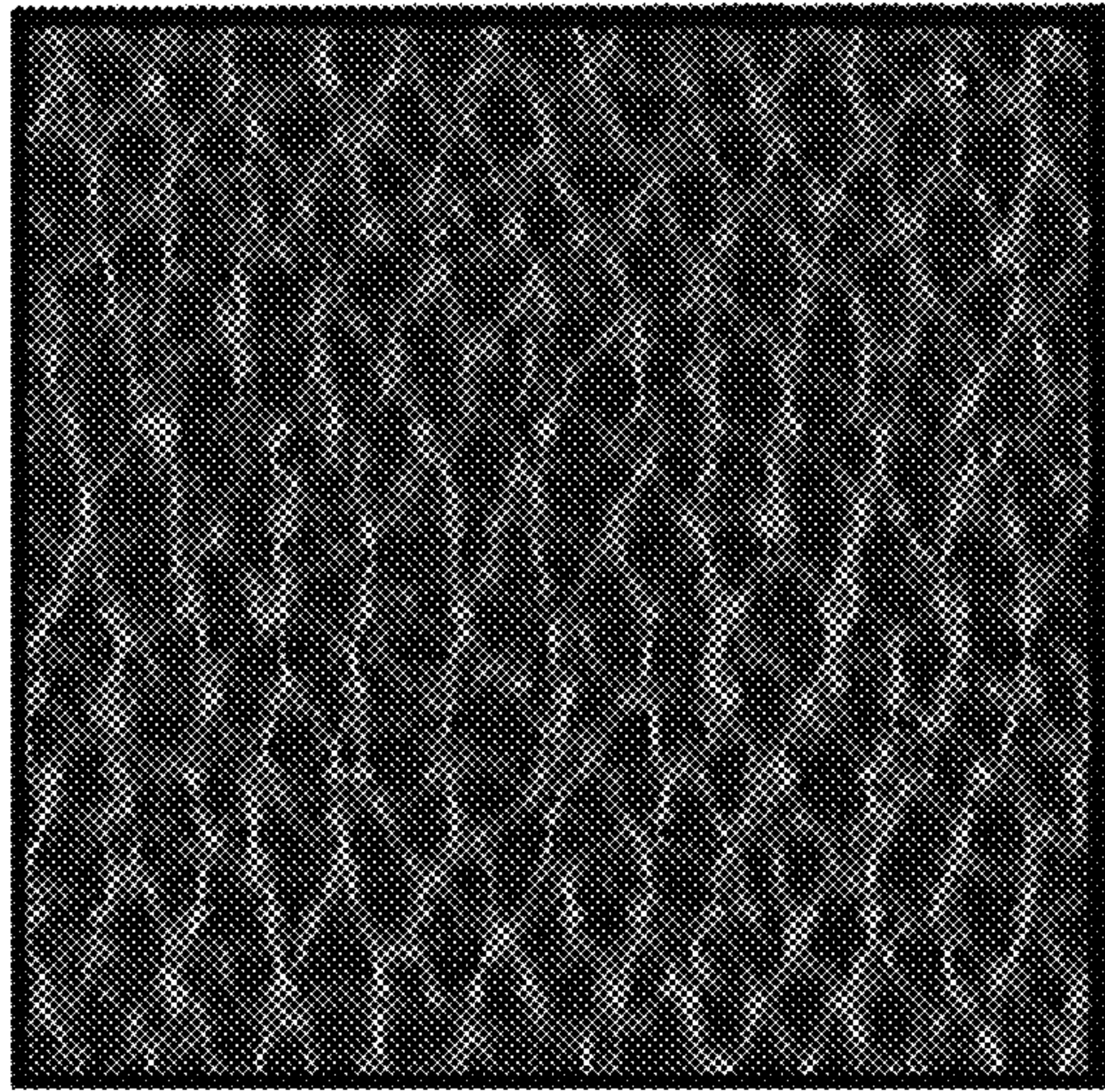


Fig. 28





Fig. 29

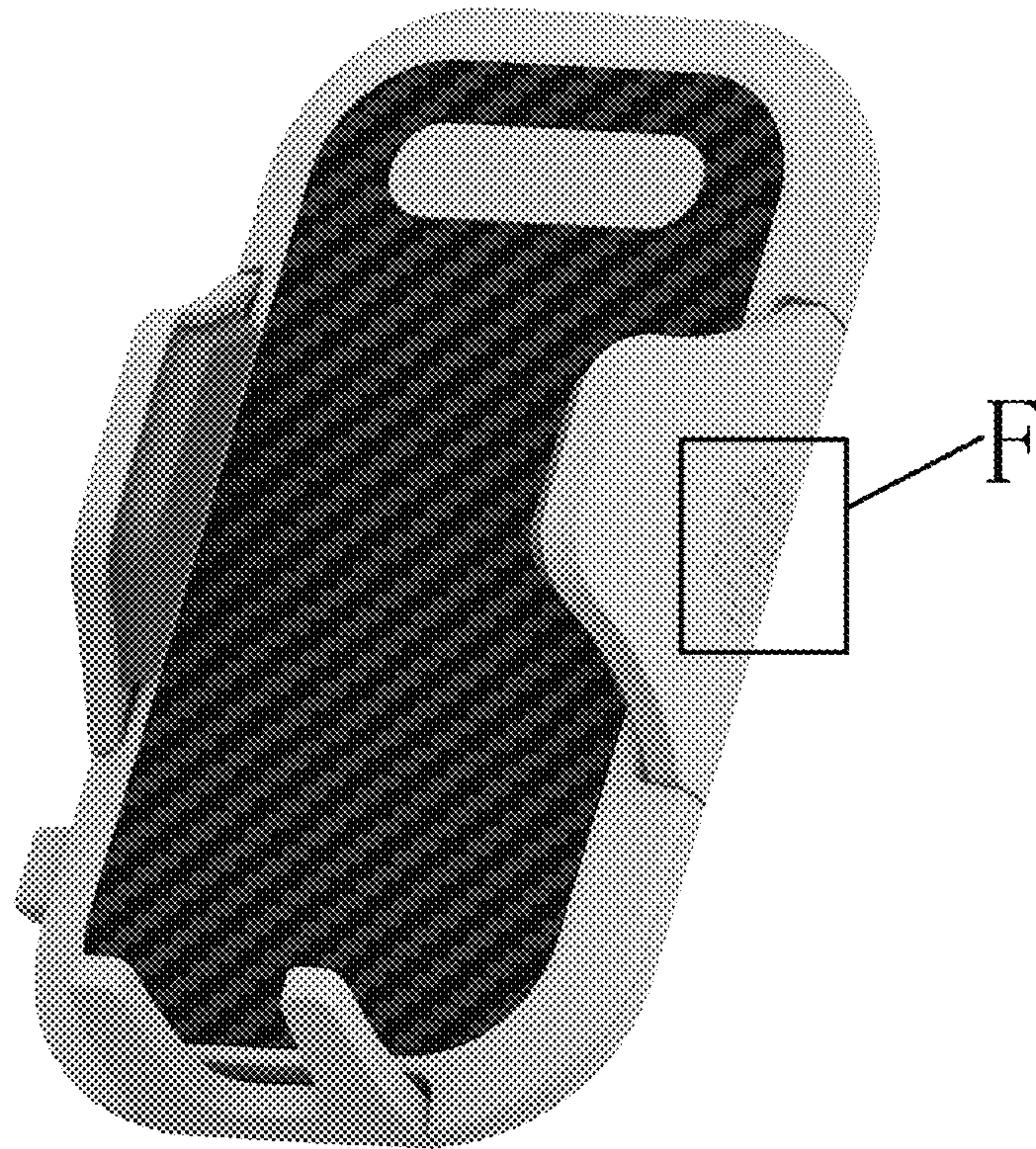


Fig. 30



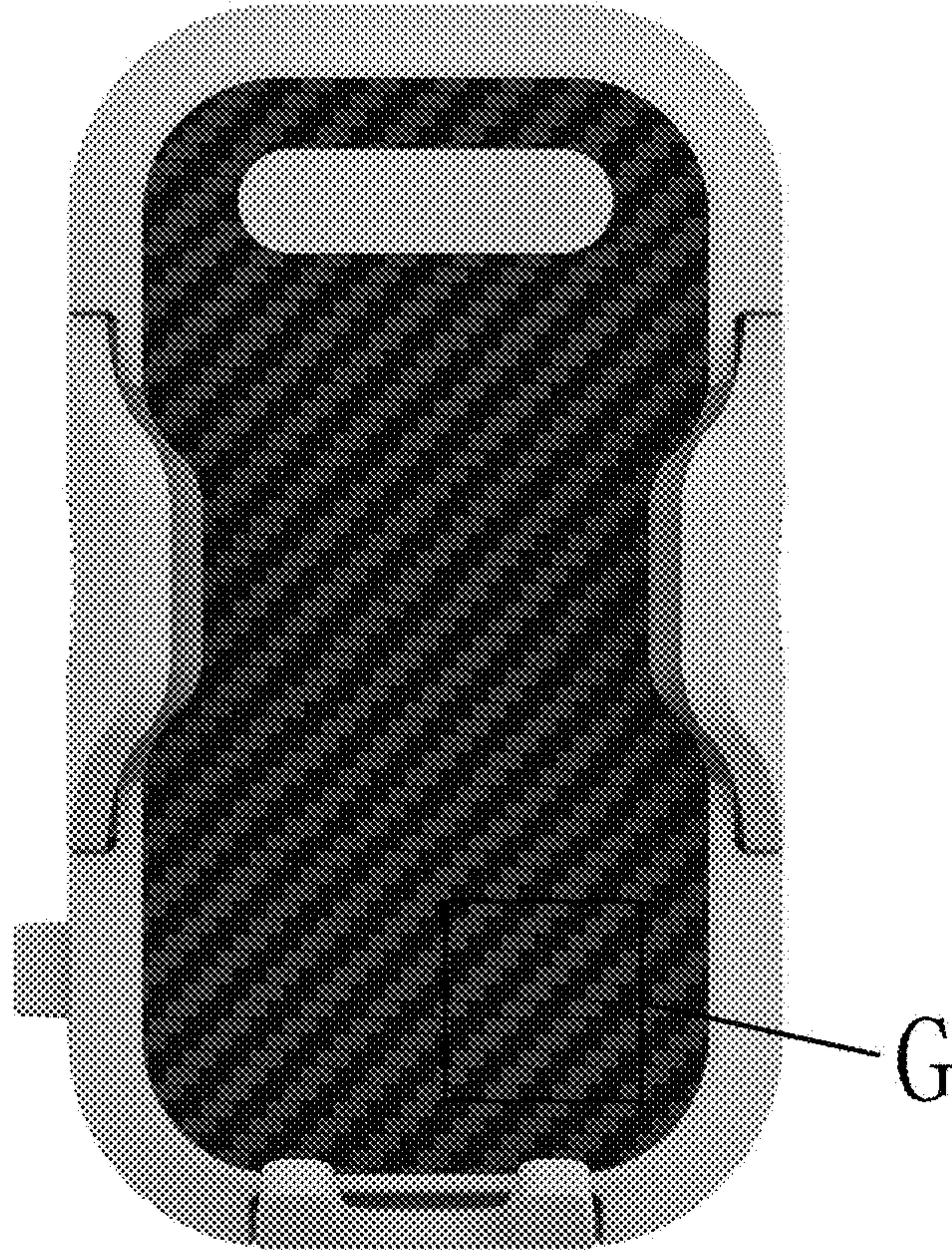


Fig. 31

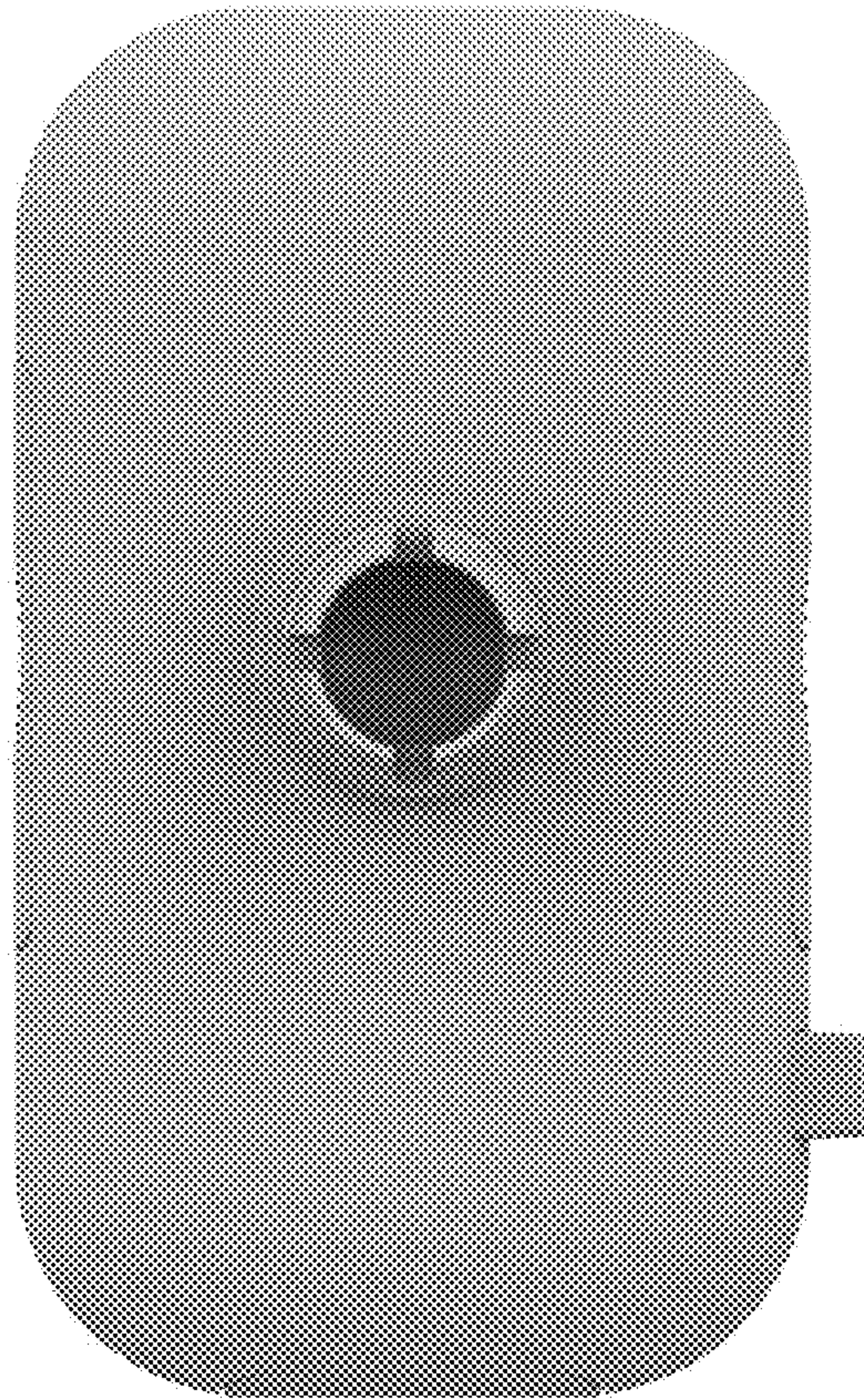


Fig. 32



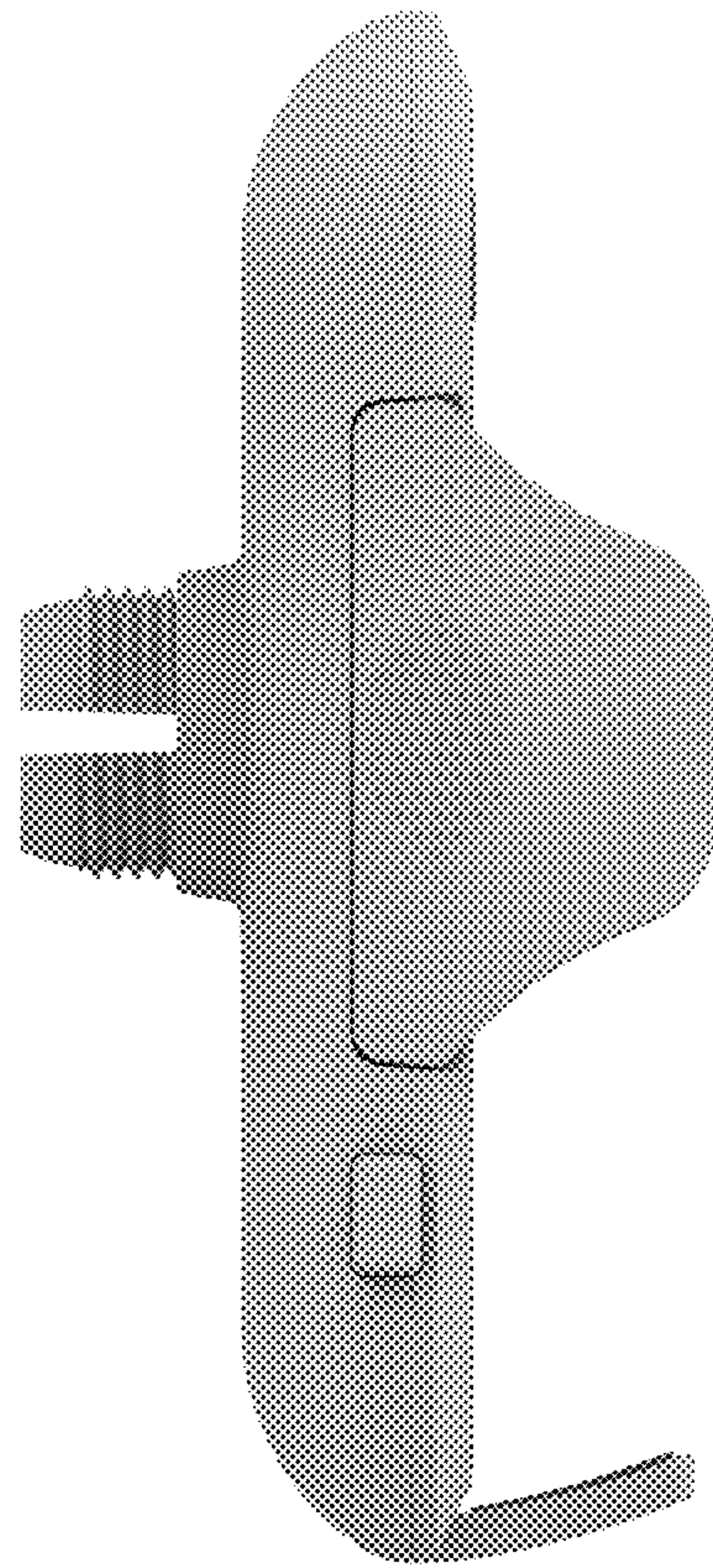


Fig. 33



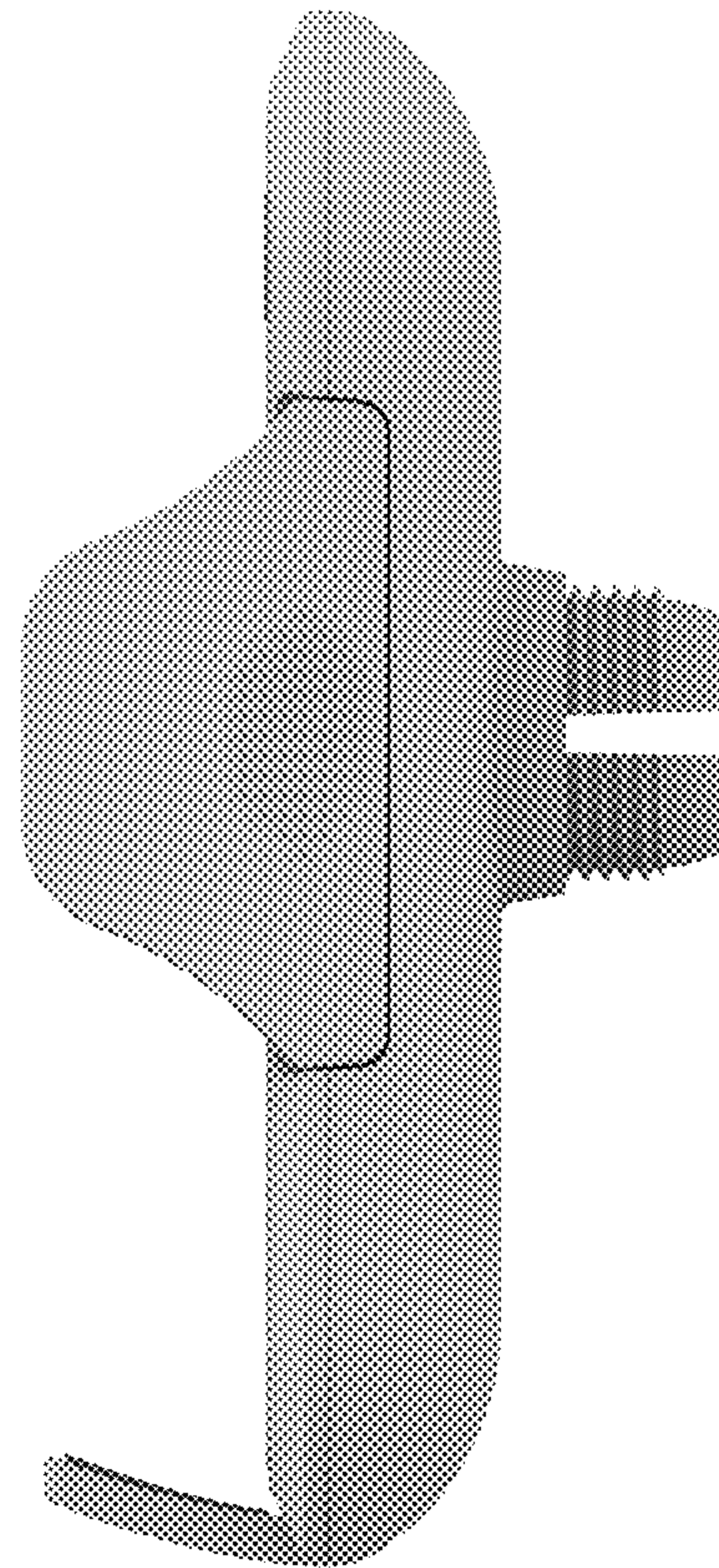


Fig. 34

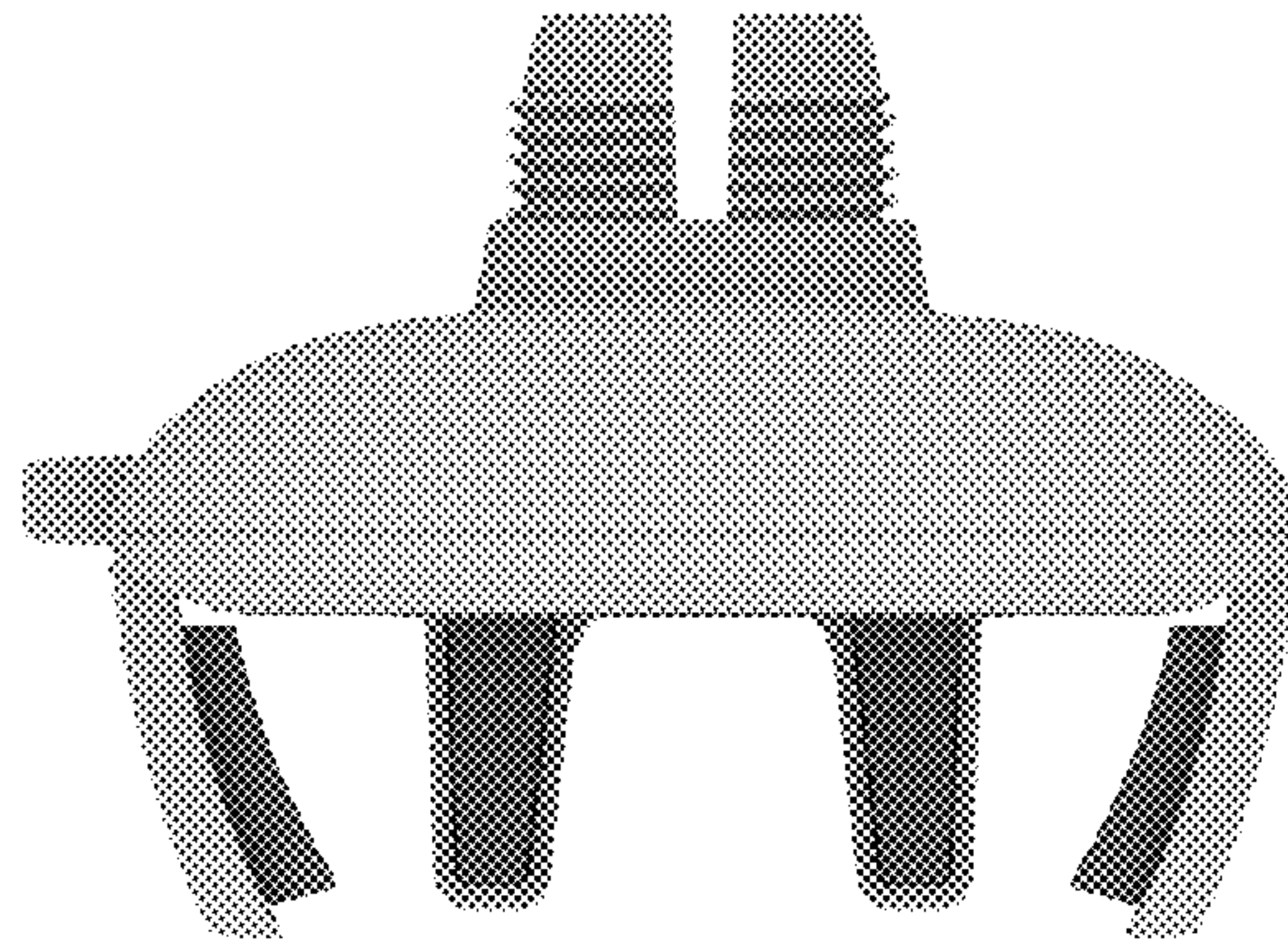


Fig. 35

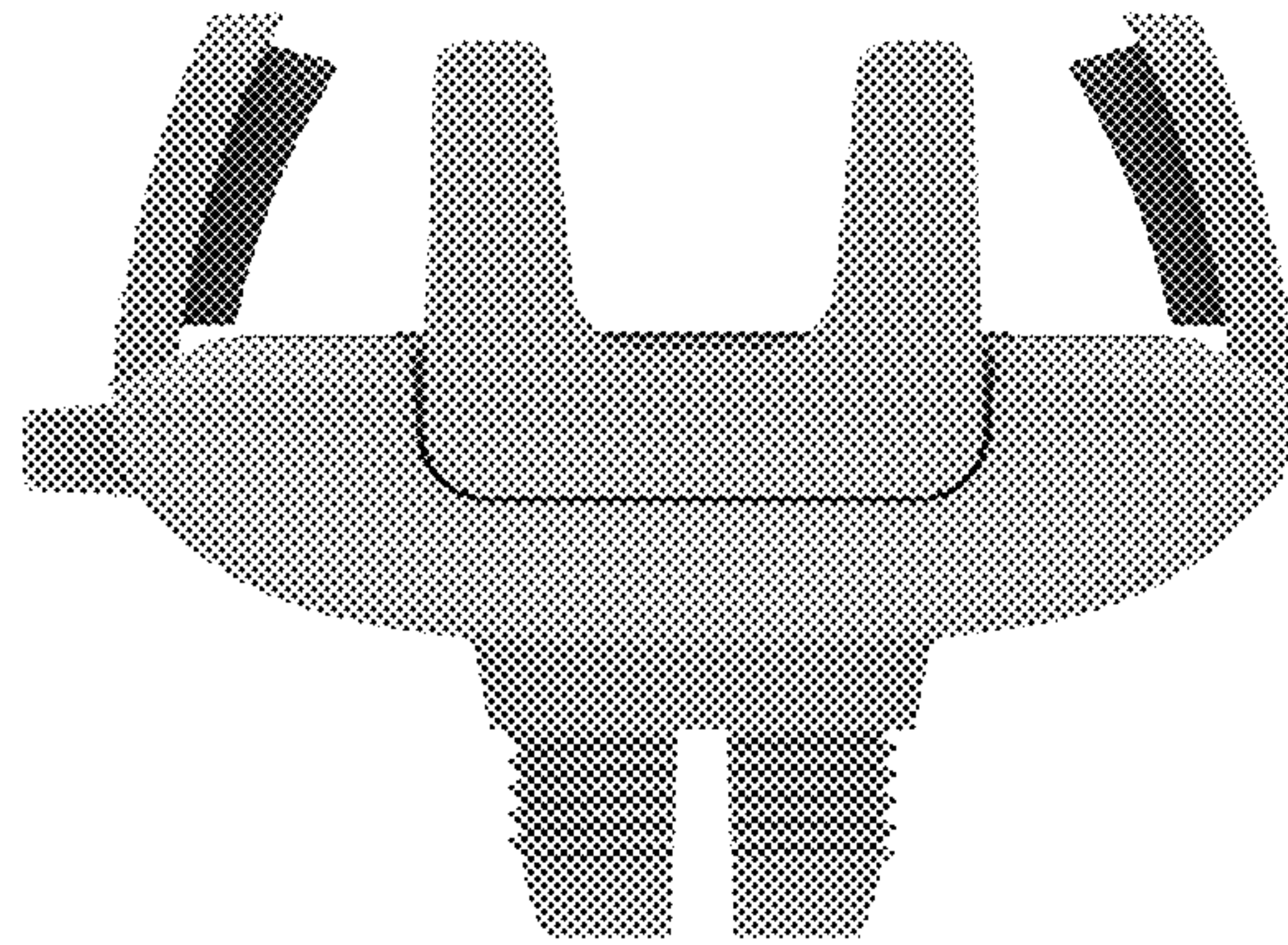


Fig. 36



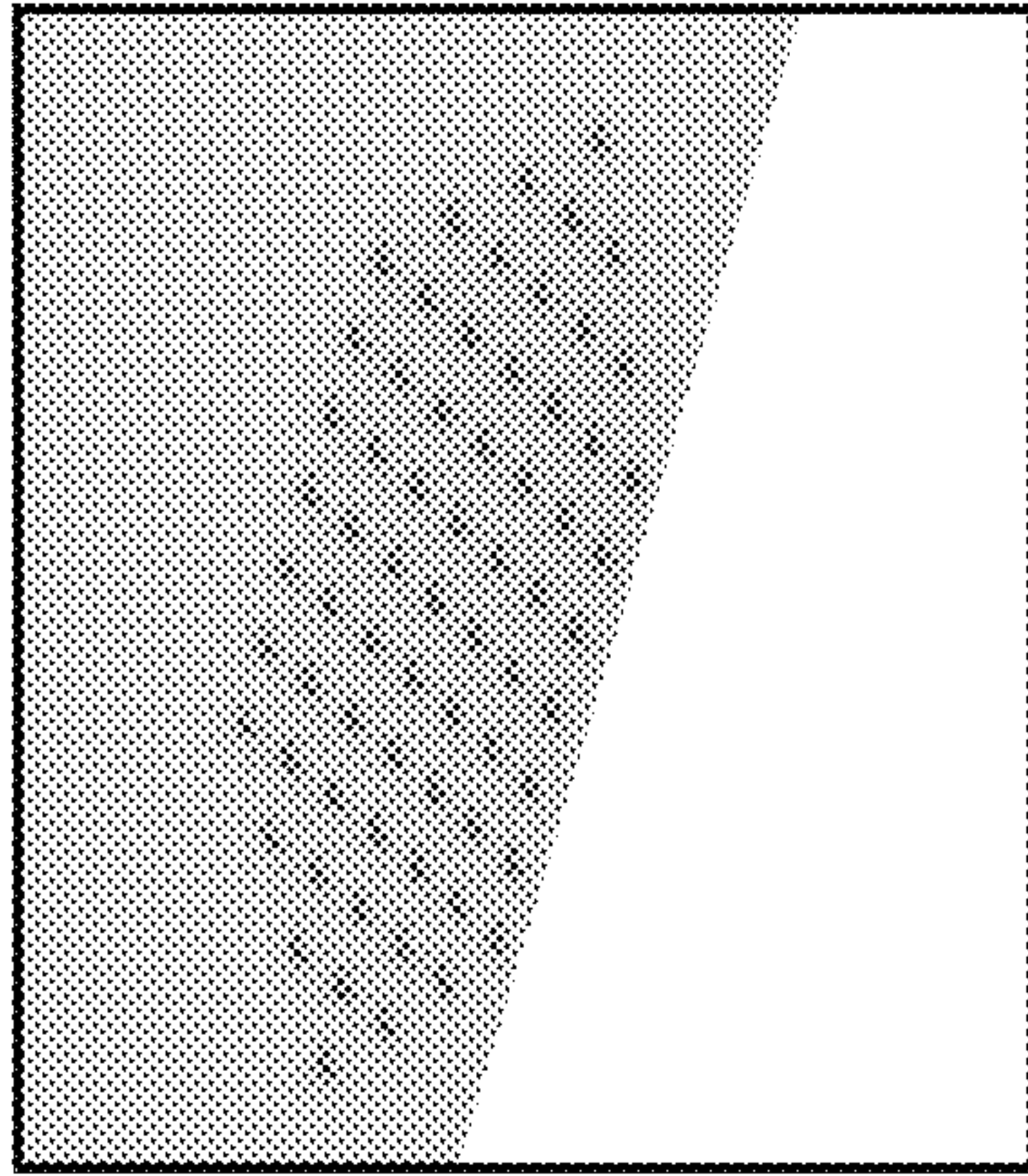


Fig. 37

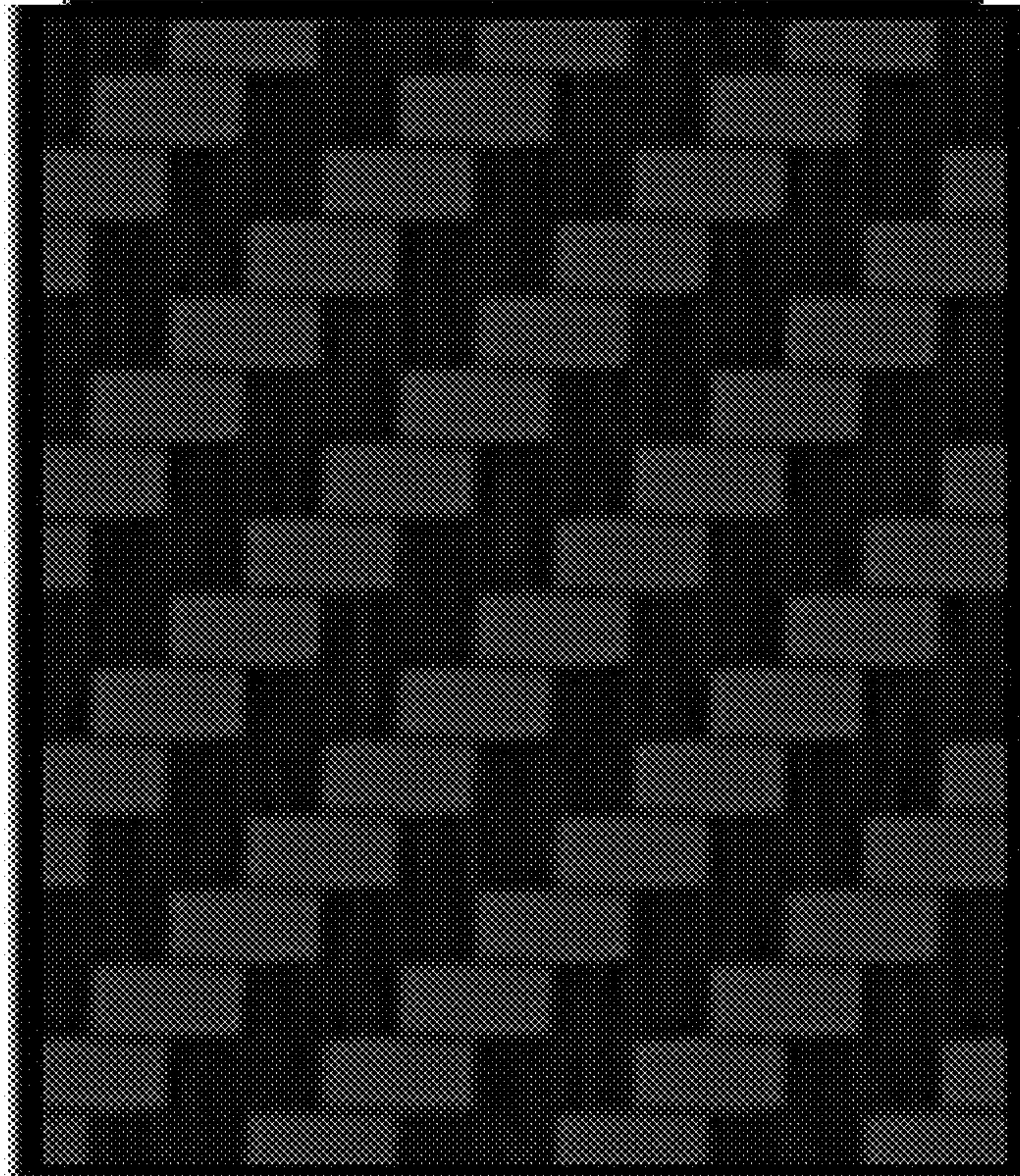


Fig. 38





Fig. 39





Fig. 40



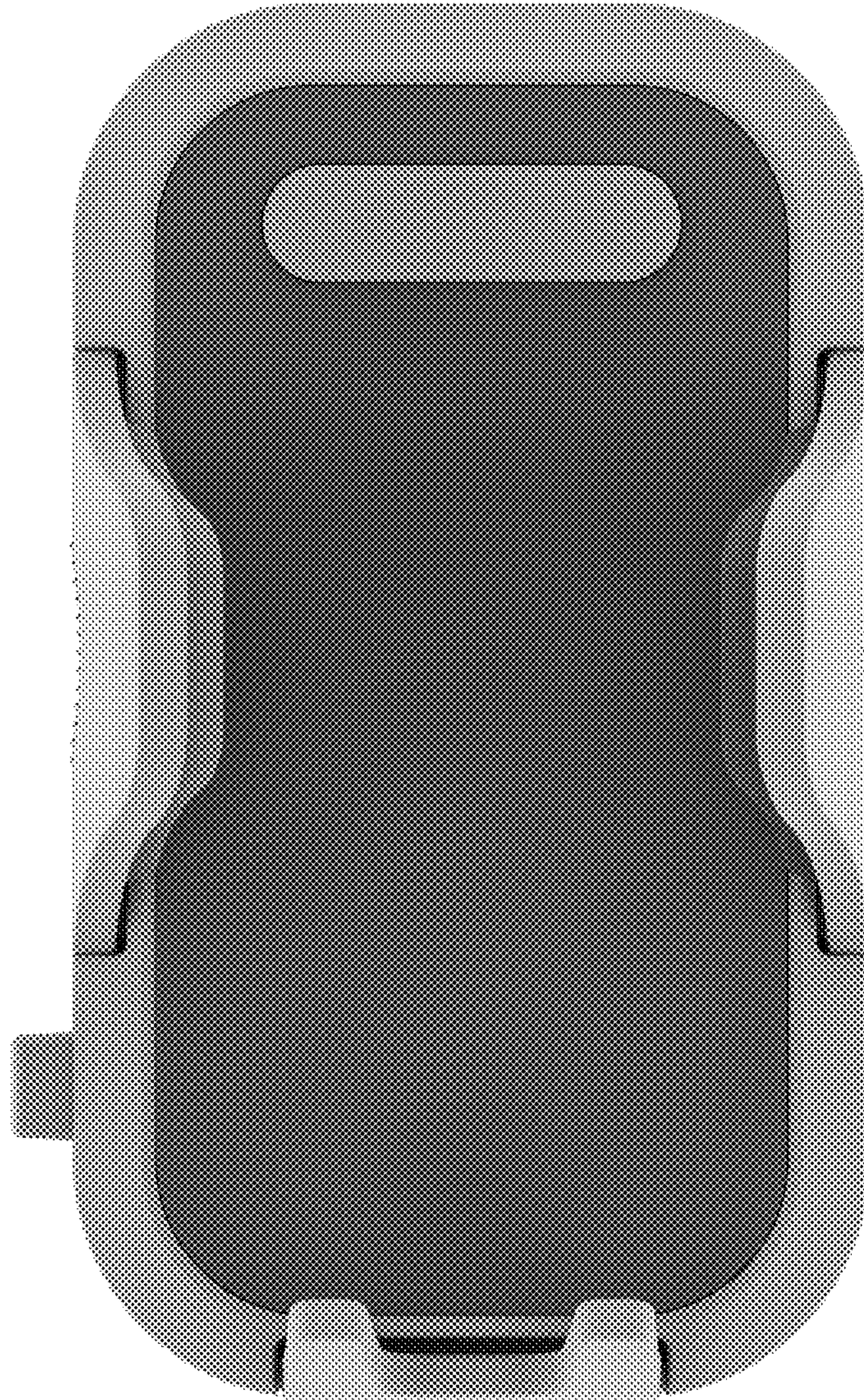


Fig. 41





Fig. 42



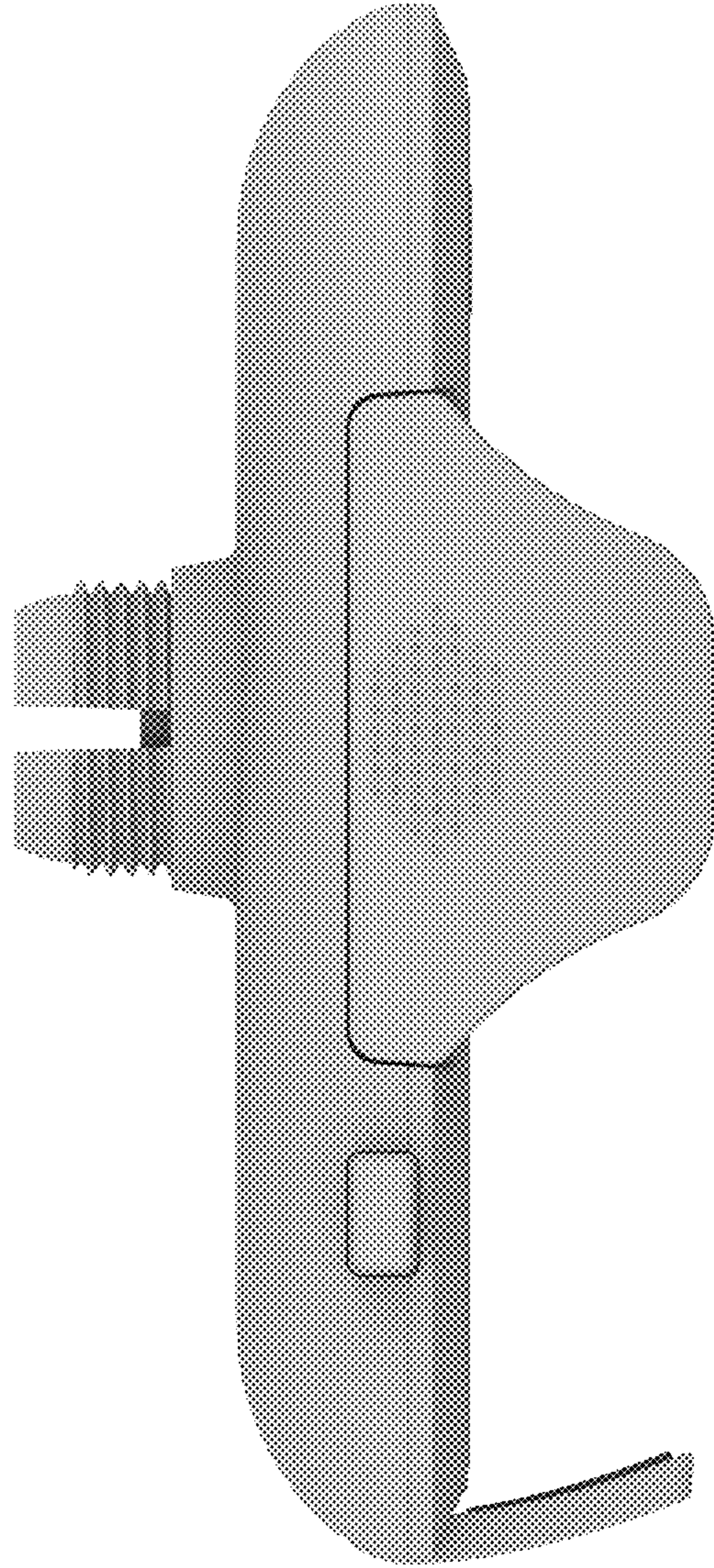


Fig. 43

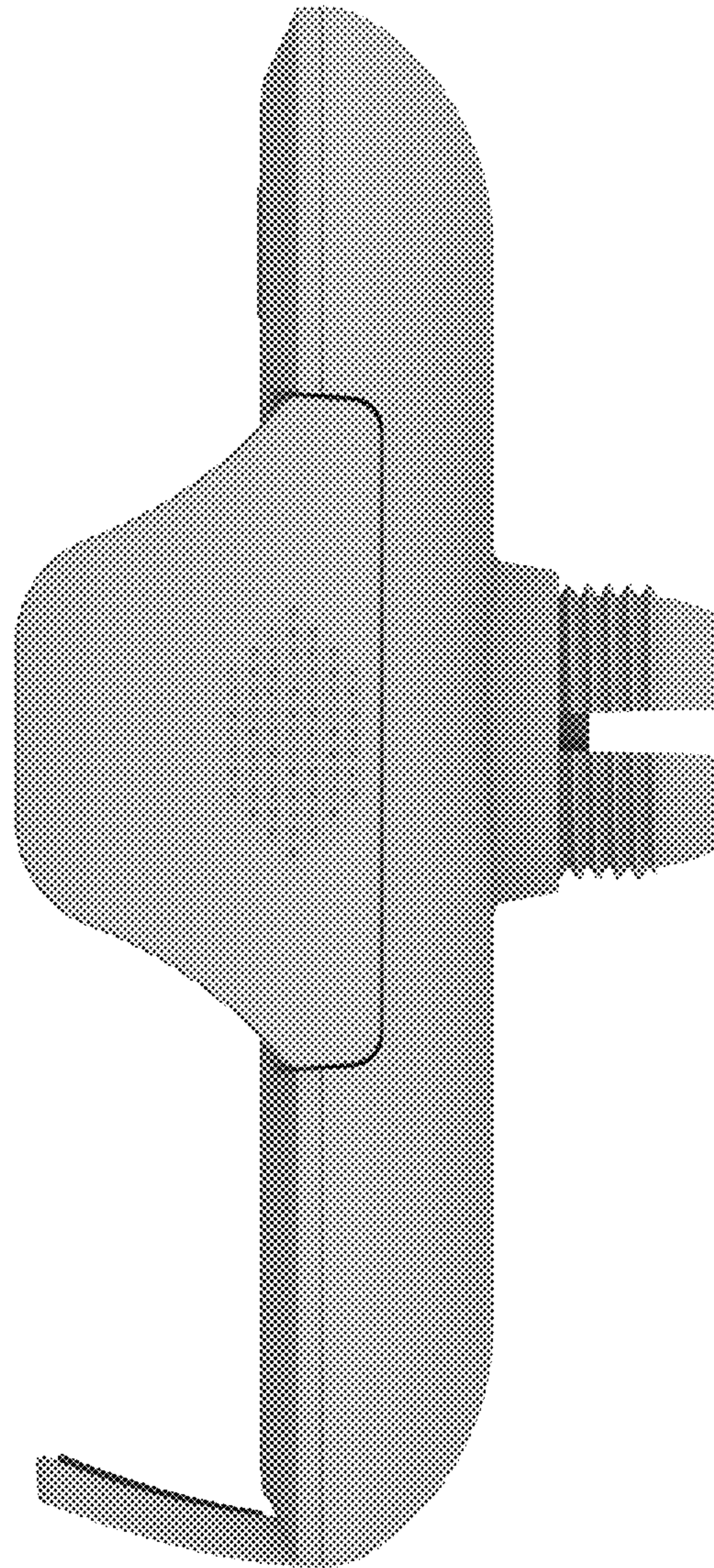


Fig. 44

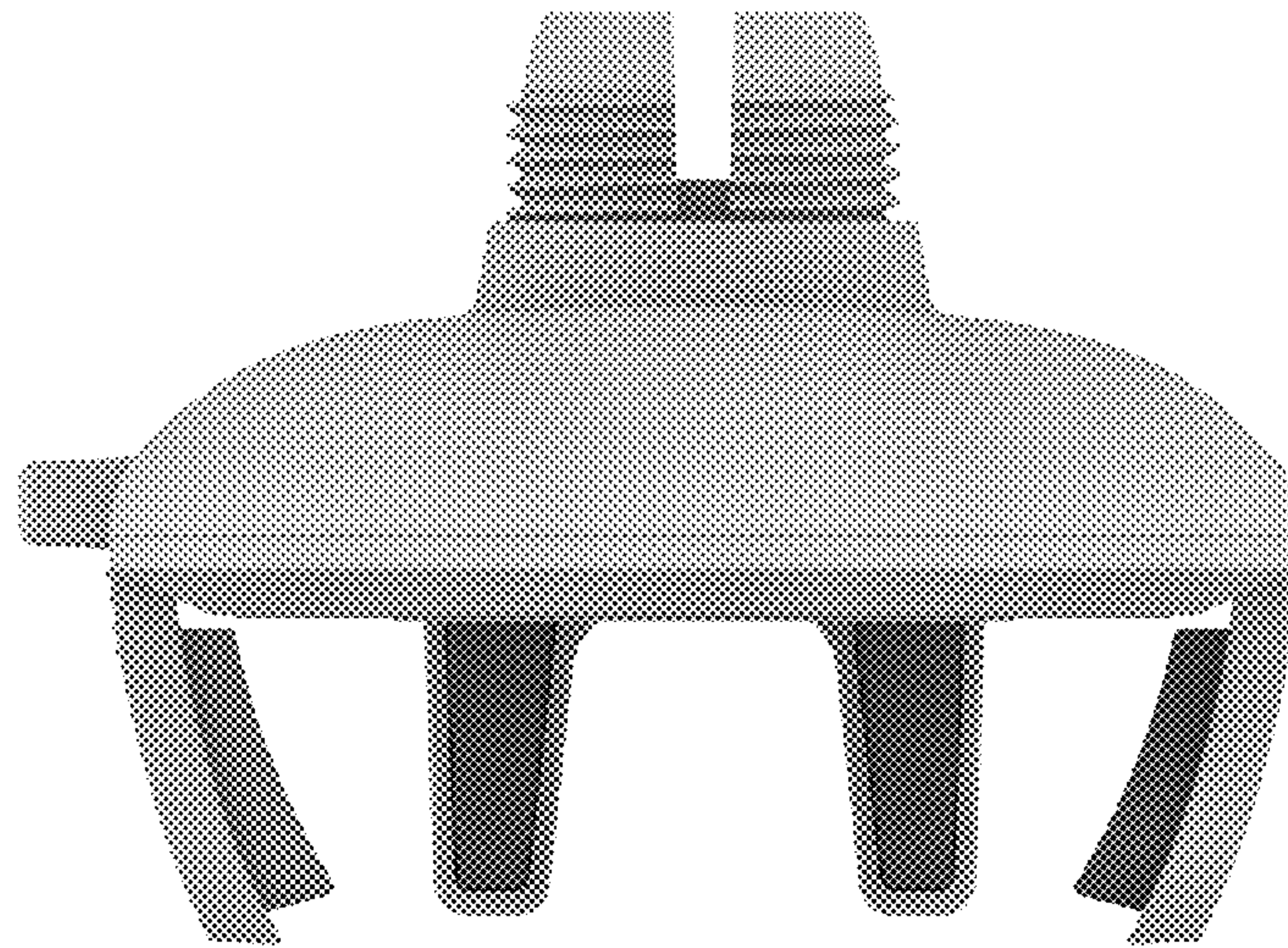


Fig. 45



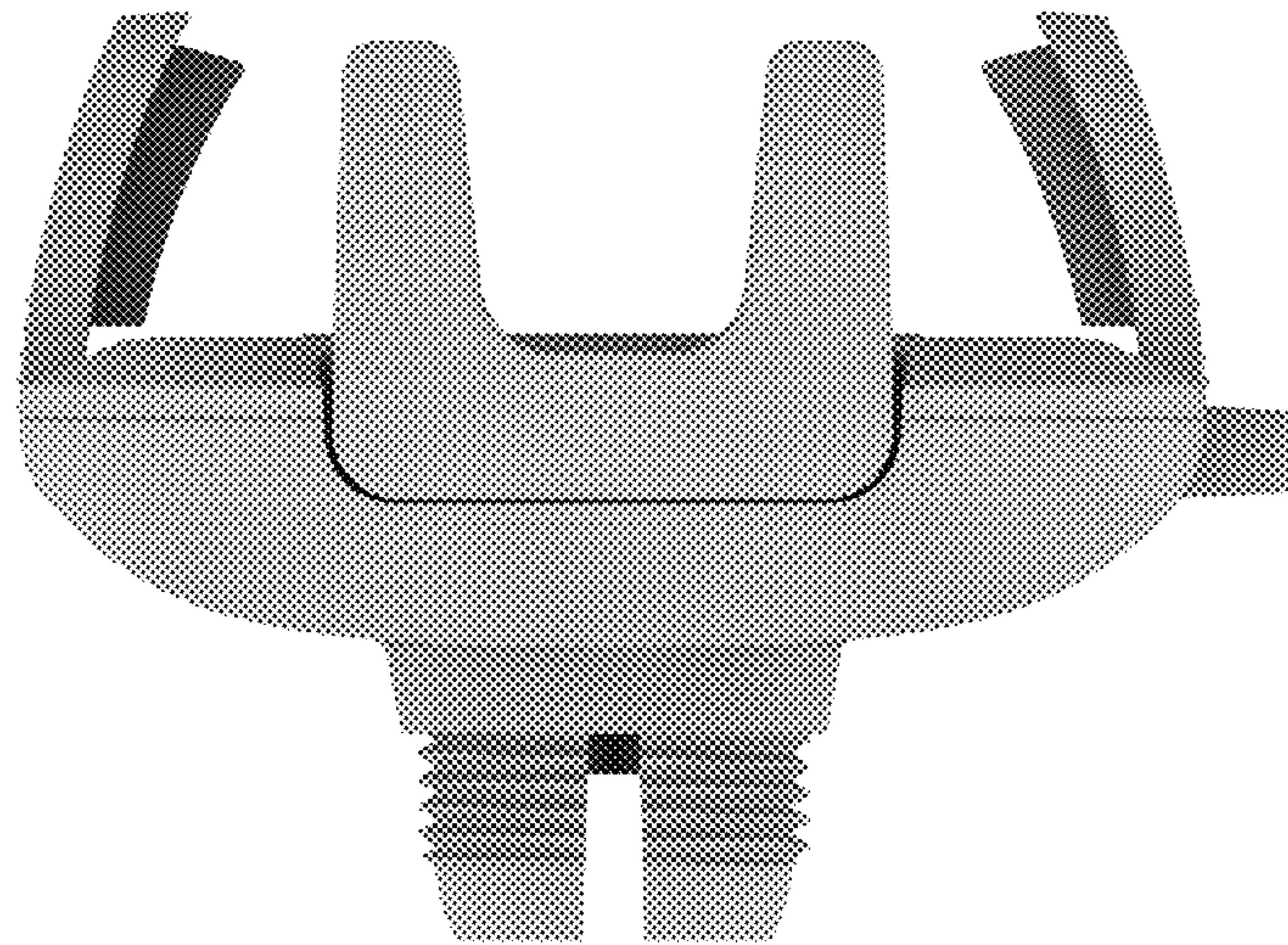


Fig. 46

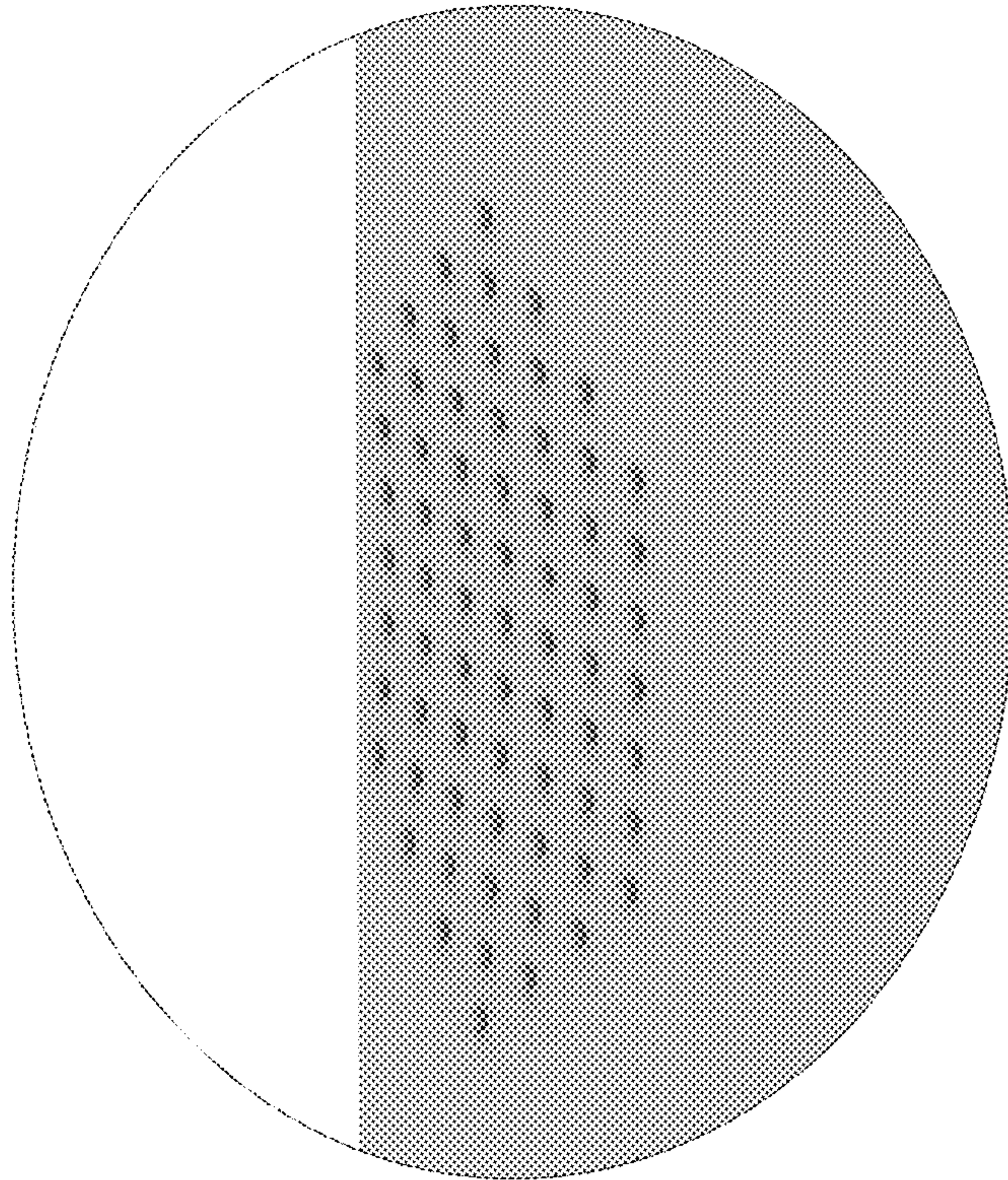


Fig. 47



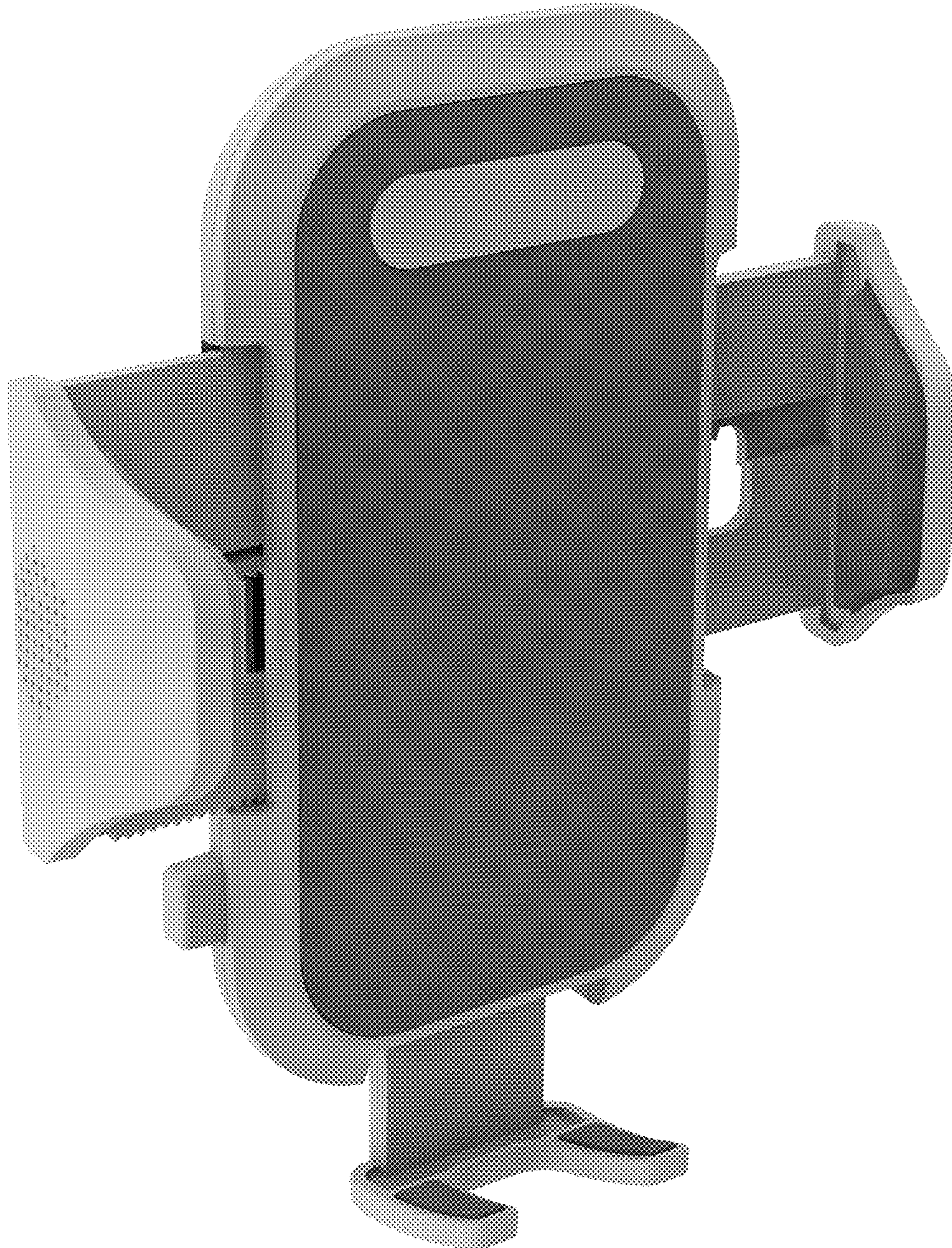


Fig. 48