



US00D892786S

(12) **United States Design Patent**
McSweyn

(10) **Patent No.:** **US D892,786 S**
(45) **Date of Patent:** **** Aug. 11, 2020**

(54) **VENT MOUNT BASE WITH EXTENSION ARM**

(71) Applicant: **Scosche Industries, Inc.**, Oxnard, CA (US)

(72) Inventor: **Christopher Michael McSweyn**, Oxnard, CA (US)

(73) Assignee: **Scosche Industries, Inc.**, Oxnard, CA (US)

(**) Term: **15 Years**

(21) Appl. No.: **29/675,790**

(22) Filed: **Jan. 4, 2019**

(51) **LOC (12) Cl.** **23-04**

(52) **U.S. Cl.**
USPC **D14/253**

(58) **Field of Classification Search**
USPC D14/251–253, 447, 452, 432–434, 440;
D12/415; D3/218, 144; D8/349, 363,
D8/356

CPC H04M 1/02; H04M 1/04; B60R 11/02;
F16M 11/00; F16M 11/04; F16M 11/06;
H04R 1/10

See application file for complete search history.

(56) **References Cited**

U.S. PATENT DOCUMENTS

| | | | |
|-----------|---|---------|-----------------|
| 3,329,277 | A | 7/1967 | Gaudino |
| 3,642,122 | A | 2/1972 | Von Ende |
| D306,396 | S | 3/1990 | Brushaber |
| D317,697 | S | 6/1991 | Lage |
| D327,840 | S | 7/1992 | Askew |
| 5,213,240 | A | 5/1993 | Dietz et al. |
| D362,230 | S | 9/1995 | Yokozawa |
| D362,657 | S | 9/1995 | Tomikawa et al. |
| 5,992,807 | A | 11/1999 | Tarulli |
| 6,075,499 | A | 6/2000 | Edwards et al. |
| 6,076,790 | A | 6/2000 | Richter |

| | | | |
|-----------|----|---------|----------------|
| 6,135,408 | A | 10/2000 | Richter |
| 6,149,116 | A | 11/2000 | Won |
| 6,305,656 | B1 | 10/2001 | Wemyss |
| 6,382,482 | B1 | 5/2002 | Chao |
| 6,502,727 | B1 | 1/2003 | Decoteau |
| D479,196 | S | 9/2003 | Shih |
| D489,578 | S | 5/2004 | Lai |
| 6,888,940 | B1 | 5/2005 | Deppen |
| 7,021,593 | B1 | 4/2006 | An |
| D521,850 | S | 5/2006 | Richter et al. |

(Continued)

OTHER PUBLICATIONS

The Original iMagnet Cradle-Less Universal Car Phone Windsheild Dashboard Mount Holder for iPhone 6, 6 Plus, 6S, 6S Plus, 5S 5, Galaxy S6 S5, Note 5 4 3, With Offical iMagnet Logo, iMagnet, Amazon.com, Aug. 19, 2012.

Primary Examiner — Janice Hallmark

(74) *Attorney, Agent, or Firm* — Stetina Brunda Garred & Brucker

(57) **CLAIM**

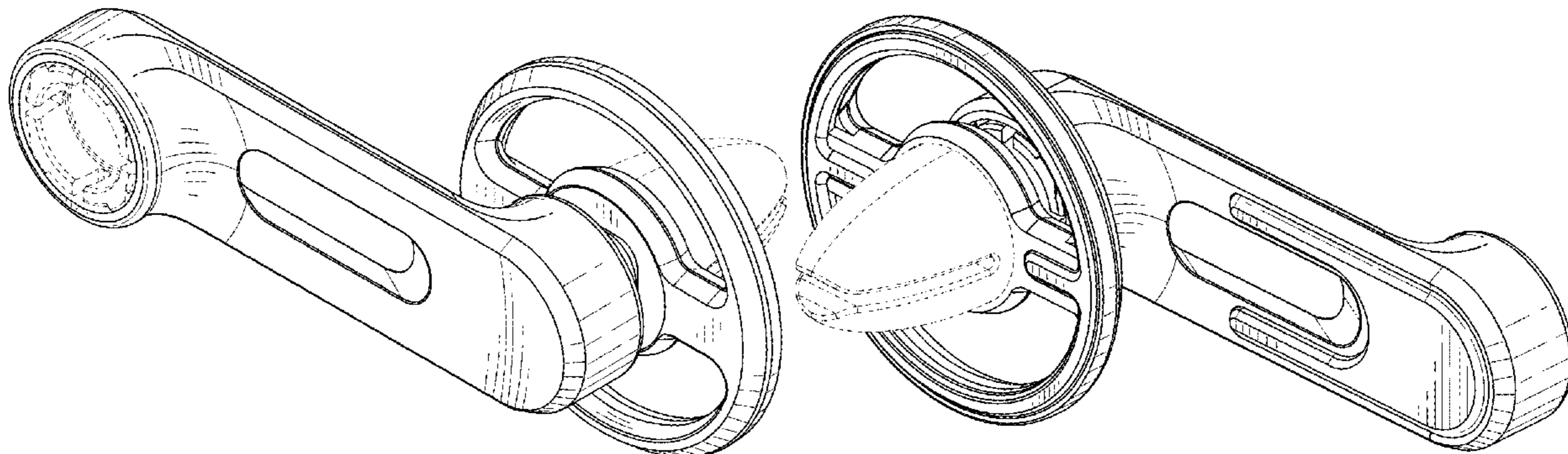
The ornamental design for a vent mount base with extension arm, as shown and described.

DESCRIPTION

FIG. 1 is a front perspective view showing a vent mount base with extension arm of the present invention; FIG. 2 is a rear perspective view thereof; FIG. 3 is a top view thereof; FIG. 4 is a front view thereof; FIG. 5 is a bottom view thereof; FIG. 6 is a left side view thereof; FIG. 7 is right side thereof; and, FIG. 8 is a rear view thereof.

In the drawings, the broken line showings are for purposes of illustrating environmental structure or portions of the vent mount base with extension arm that form no part of the claimed design.

1 Claim, 3 Drawing Sheets



(56)

References Cited

U.S. PATENT DOCUMENTS

D530,333 S 10/2006 Richter
 D543,439 S 5/2007 Brassard
 D551,058 S 9/2007 Carnevali
 D552,454 S 10/2007 Fynn
 D553,959 S 10/2007 Brassard
 D554,042 S 10/2007 Richter
 D554,491 S 11/2007 Stenberg
 7,296,771 B2 11/2007 Kalis et al.
 D560,592 S 1/2008 Brassard
 D563,309 S 3/2008 Richter
 D565,937 S 4/2008 Tsai
 7,374,142 B2 5/2008 Carnevali
 D570,836 S 6/2008 Chen
 D576,865 S 9/2008 Chiang et al.
 7,431,251 B2 10/2008 Carnevali
 D588,903 S 3/2009 Carnevali
 D590,835 S 4/2009 Richter
 D592,205 S 5/2009 O'Brien
 D600,991 S 9/2009 Lai
 D603,322 S 11/2009 Nicieja
 D609,644 S 2/2010 Lin
 D638,008 S 5/2011 Richter
 8,016,255 B2 9/2011 Lin
 D654,874 S 2/2012 Au
 D656,465 S 3/2012 Au
 D656,899 S 4/2012 Webb et al.
 D670,157 S 11/2012 Mo
 D671,074 S 11/2012 Hori et al.
 D677,709 S 3/2013 Skeoch et al.
 D681,867 S 5/2013 Wegger et al.

D686,595 S 7/2013 Andre et al.
 8,496,222 B2 7/2013 Li
 D687,441 S 8/2013 Janzen
 D690,707 S 10/2013 Minn et al.
 D694,249 S 11/2013 Akana et al.
 D700,175 S 2/2014 Ohm
 D705,211 S 5/2014 Huang
 D709,066 S 7/2014 Byun
 D709,072 S 7/2014 Askew-Harris et al.
 D713,398 S 9/2014 Alesi et al.
 D715,132 S 10/2014 McSweyn et al.
 D718,612 S 12/2014 McSweyn et al.
 D719,959 S 12/2014 Vogel
 D743,410 S * 11/2015 Unterlechner D14/447
 D750,633 S 3/2016 Minn et al.
 D831,660 S 10/2018 Yao et al.
 D831,661 S 10/2018 Yao et al.
 D850,436 S * 6/2019 Vogel D14/253
 D851,650 S * 6/2019 Minn F16M 13/00
 D14/447
 D852,116 S * 6/2019 Jun D12/415
 D863,205 S * 10/2019 Lin D12/415
 D873,812 S * 1/2020 Peters D14/253
 D873,813 S * 1/2020 Zhong D14/253
 2005/0092875 A1 5/2005 Carnevali
 2006/0290654 A1 12/2006 Wang
 2007/0018064 A1 1/2007 Wang
 2008/0023606 A1 1/2008 Kalis et al.
 2011/0192857 A1 8/2011 Rothbaum et al.
 2012/0229300 A1 9/2012 Fu
 2012/0292463 A1 11/2012 Burns
 2013/0187020 A1 7/2013 Trotsky
 2014/0346295 A1 11/2014 Song

* cited by examiner

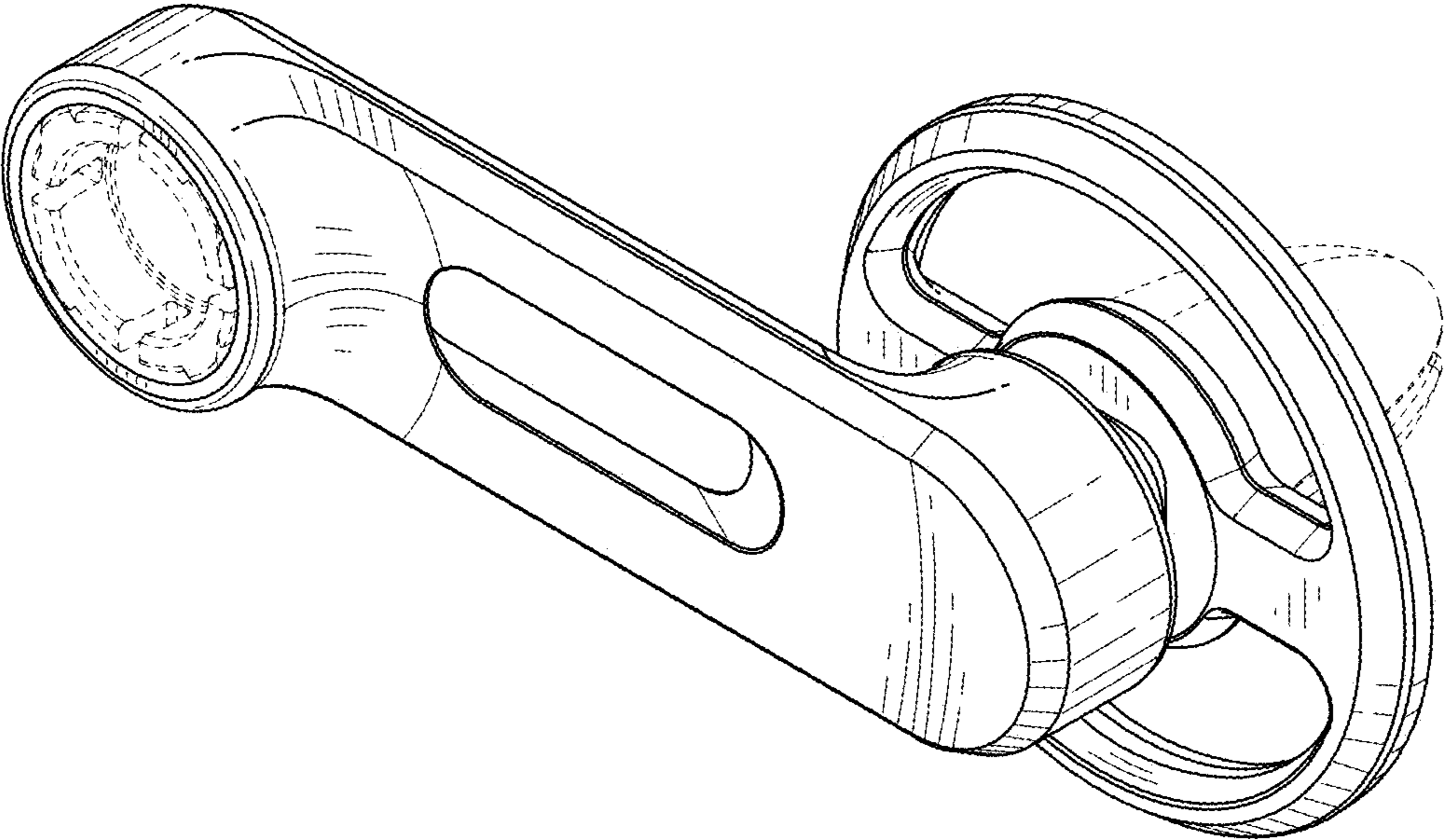


FIG. 1

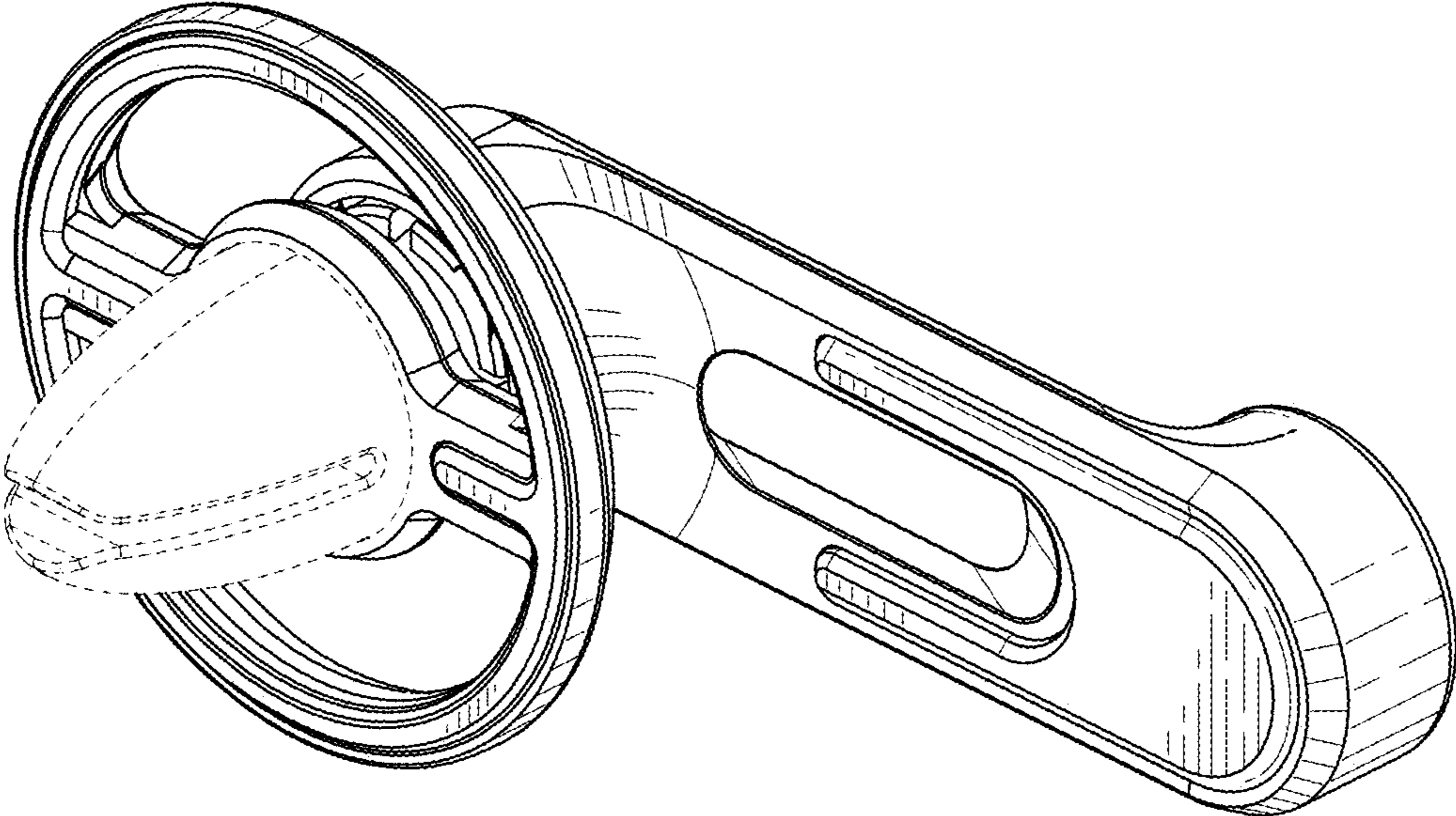


FIG. 2

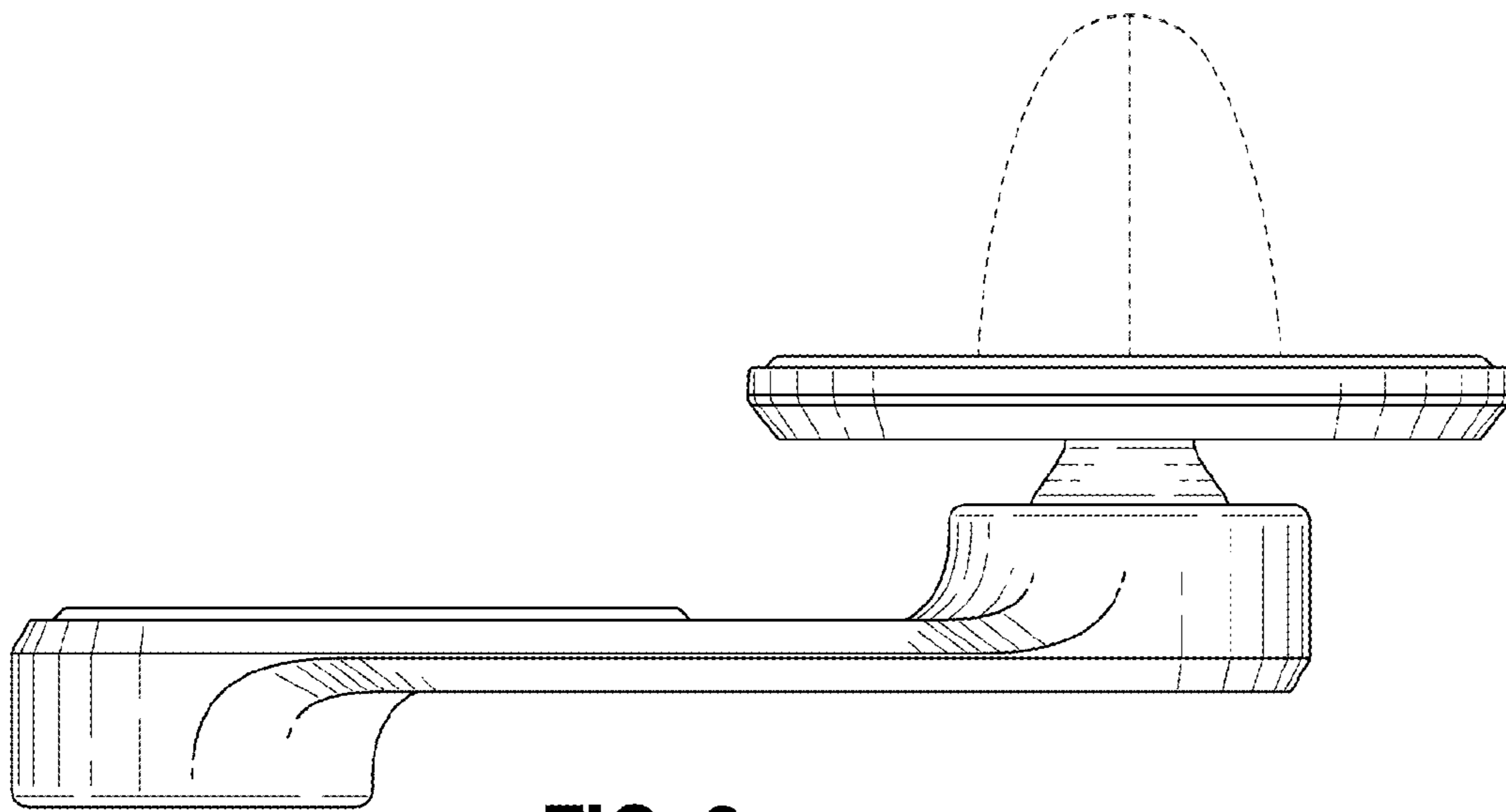


FIG. 3

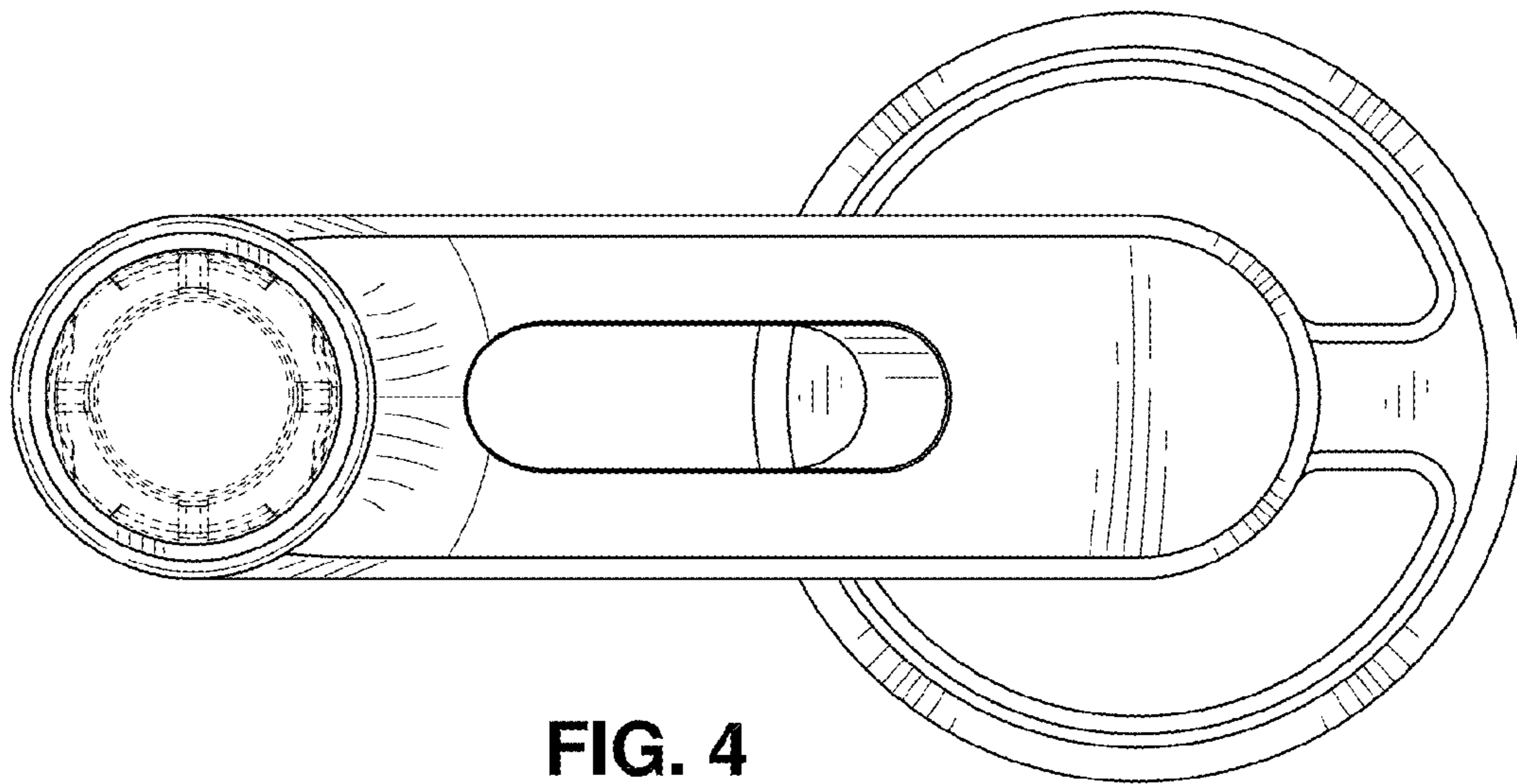


FIG. 4

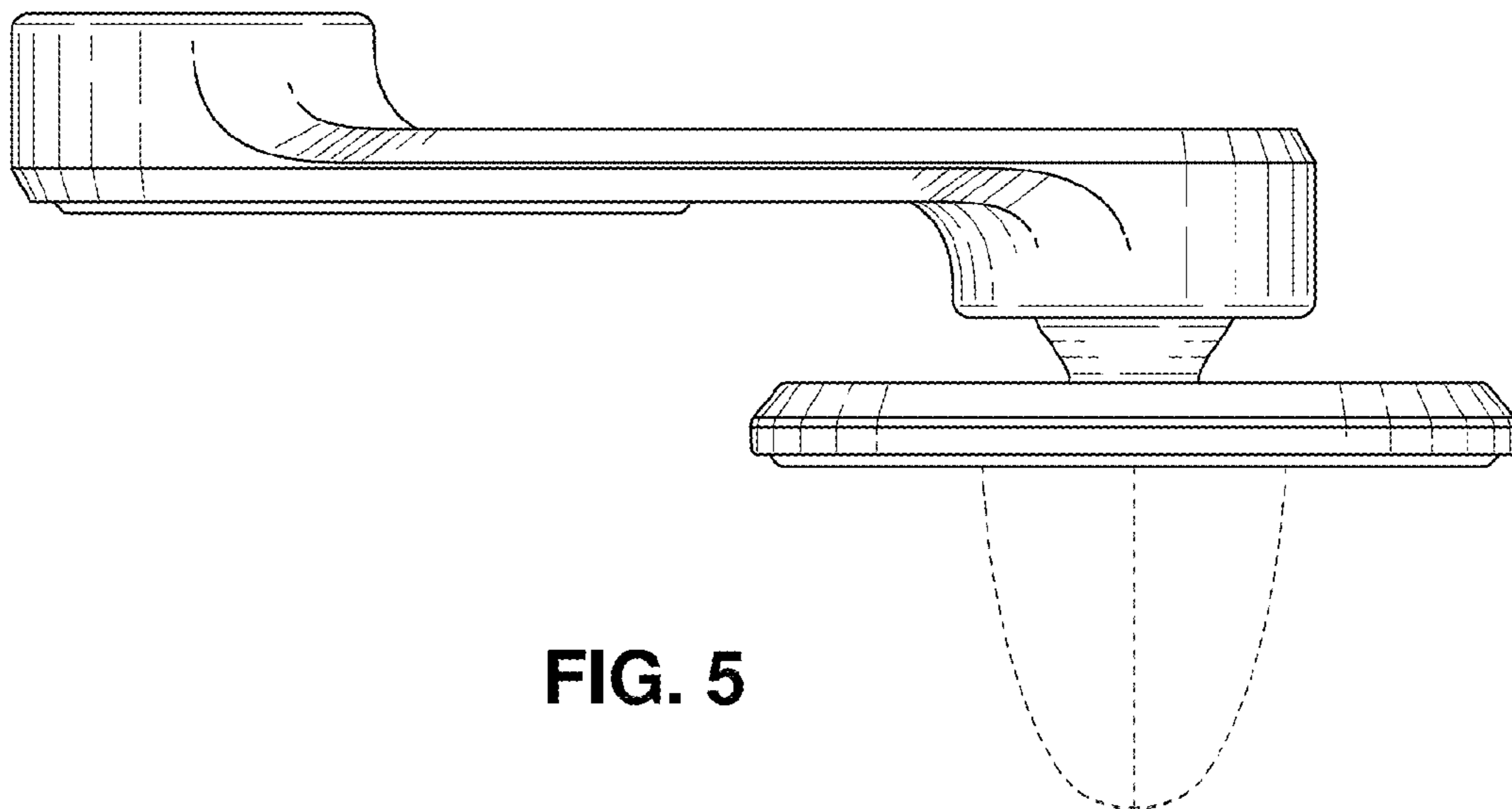


FIG. 5

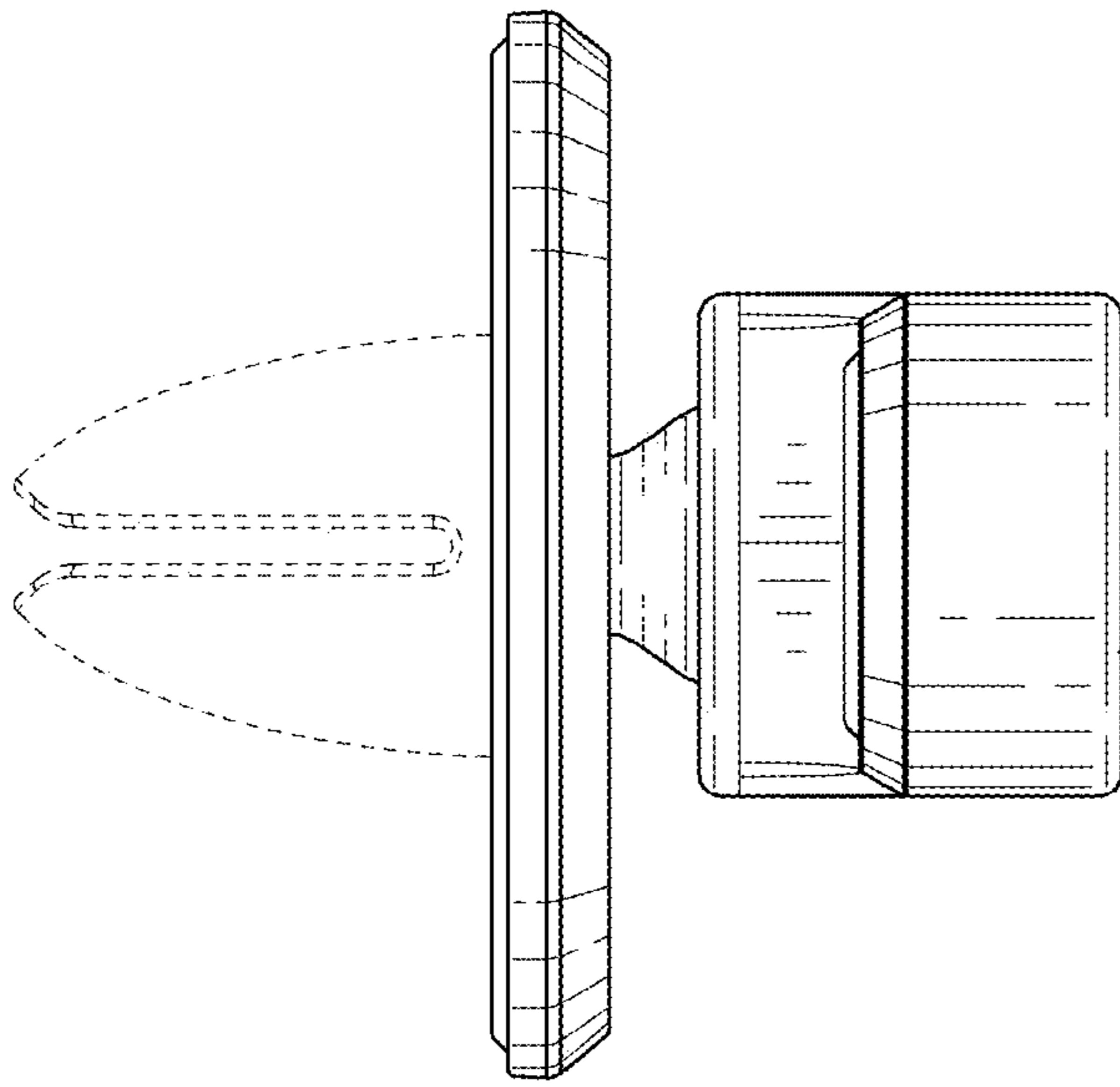


FIG. 6

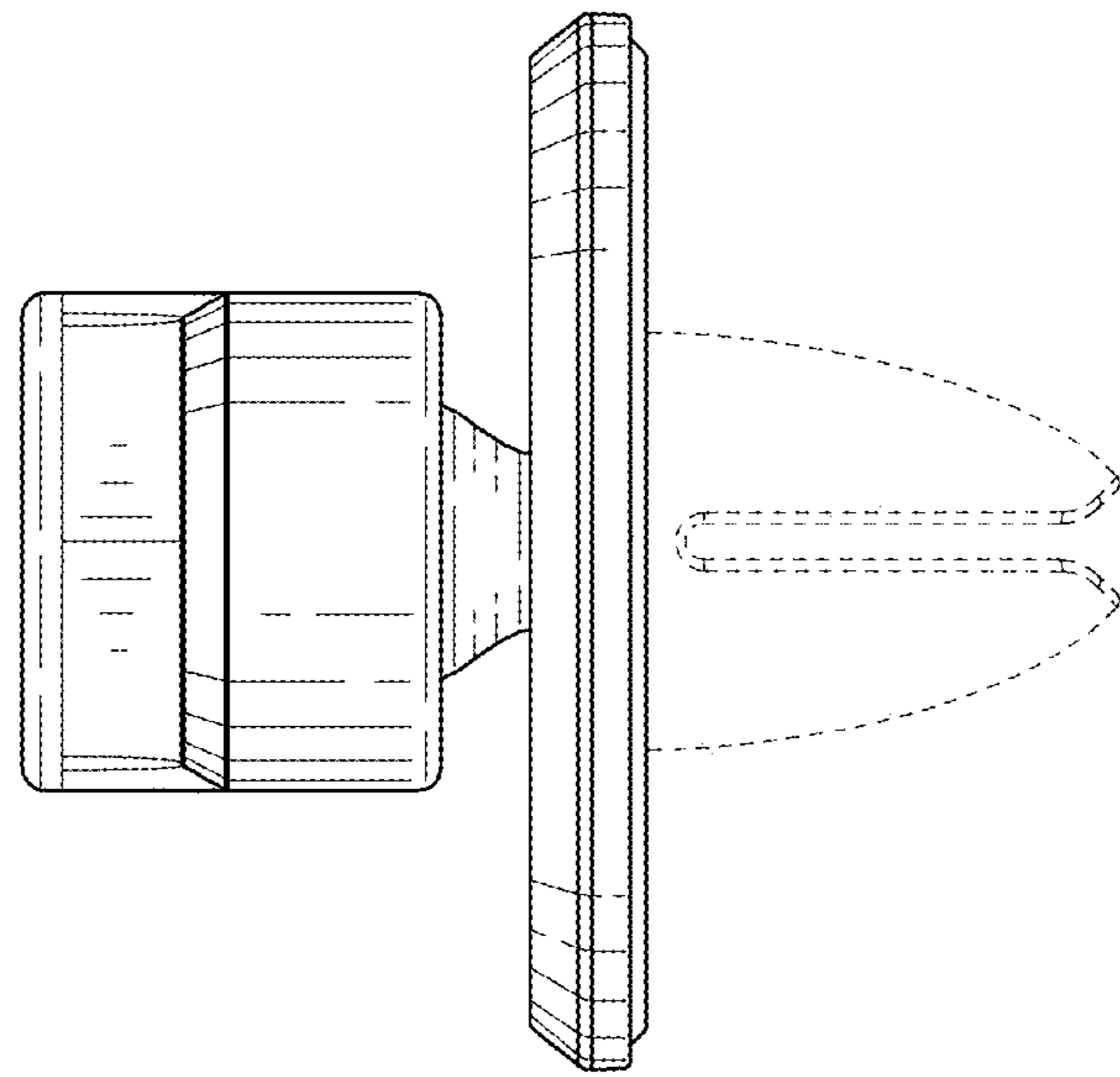


FIG. 7

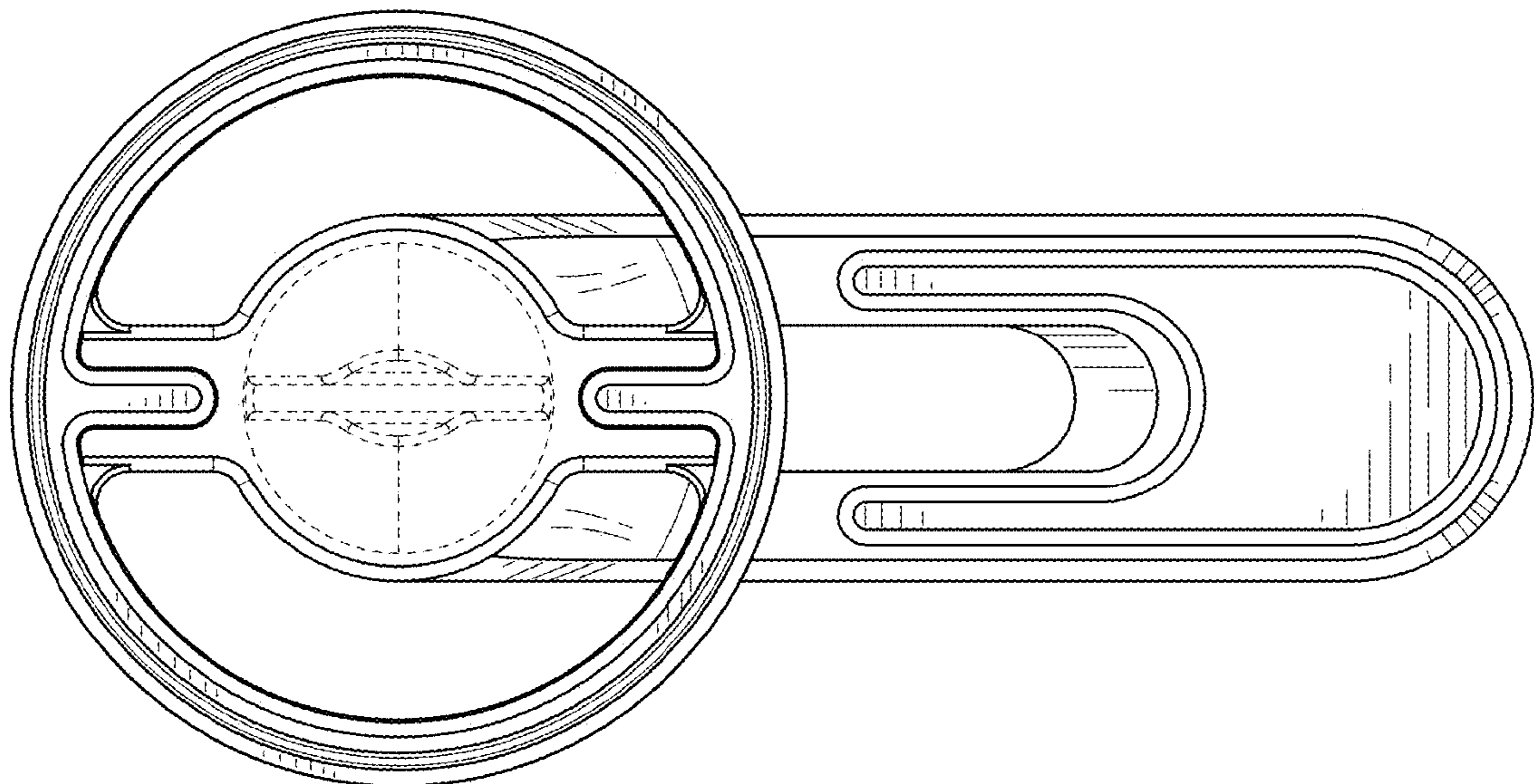


FIG. 8