



US00D892777S

(12) **United States Design Patent**  
**Nguyen**

(10) **Patent No.:** **US D892,777 S**

(45) **Date of Patent:** **\*\* Aug. 11, 2020**

- (54) **NETWORK ACCESS POINT**
- (71) Applicant: **Hewlett Packard Enterprise Development LP**, Houston, TX (US)
- (72) Inventor: **Tri L. Nguyen**, San Jose, CA (US)
- (73) Assignee: **Hewlett Packard Enterprise Development LP**, Houston, TX (US)

- D320,023 S \* 9/1991 Gault ..... D10/104.1
- D328,069 S \* 7/1992 Langton ..... D14/137
- D337,542 S \* 7/1993 Ewing ..... D10/106.6
- D433,677 S \* 11/2000 Tsuge ..... D13/184
- D440,206 S \* 4/2001 Carroll ..... D13/162
- D442,922 S \* 5/2001 Sato ..... D13/152
- D444,144 S \* 6/2001 Warner ..... D14/230
- D448,352 S \* 9/2001 Atsushi ..... D13/152

(Continued)

(\*\*) Term: **15 Years**

(21) Appl. No.: **29/663,452**

(22) Filed: **Sep. 14, 2018**

(51) **LOC (12) Cl.** ..... **14-03**

(52) **U.S. Cl.**  
USPC ..... **D14/240**; D14/358

(58) **Field of Classification Search**  
 USPC ..... D14/356-358, 363, 365, 432, 496, 125,  
 D14/137, 140, 140.2, 155, 168, 230, 240,  
 D14/242, 243, 299, 300, 301, 302, 314,  
 D14/348, 353, 217, 238.1; D13/123, 152,  
 D13/158, 162, 162.1, 164, 184, 199;  
 D10/61, 65, 103, 104.1, 121, 46, 106.1,  
 D10/106.2, 106.3, 106.6, 106.99  
 CPC ... H04W 88/00; H04W 88/02; H04W 88/005;  
 H04W 88/08; H04W 88/085; H04W  
 88/10; H04W 88/12; H04W 88/16; H04W  
 88/18; H04W 84/04; H04W 84/042;  
 H04W 84/045; H04W 84/047; H04W  
 84/105; H04W 4/00; H01Q 1/02; H01Q  
 1/2291; H01Q 1/246; H04B 1/38; G06F  
 1/1683; G06F 1/1698

See application file for complete search history.

(56) **References Cited**

**U.S. PATENT DOCUMENTS**

- D70,407 S \* 6/1926 Duncan ..... D14/195
- D256,897 S \* 9/1980 Arima ..... D10/106.2

**FOREIGN PATENT DOCUMENTS**

- CN 302888904 7/2014
- CN 303239618 6/2015

(Continued)

**OTHER PUBLICATIONS**

Aruba 510 Series Campus Access Points—Data Sheet. [online PDF] 10 pgs. 2018. [retrieved Apr. 16, 2020] [https://www.securewirelessworks.com/datasheets/Access-Points/DS\\_AP510Series.pdf](https://www.securewirelessworks.com/datasheets/Access-Points/DS_AP510Series.pdf).\*

(Continued)

*Primary Examiner* — Marie D. Fast Horse

(74) *Attorney, Agent, or Firm* — Rathe Lindenbaum LLP

(57) **CLAIM**

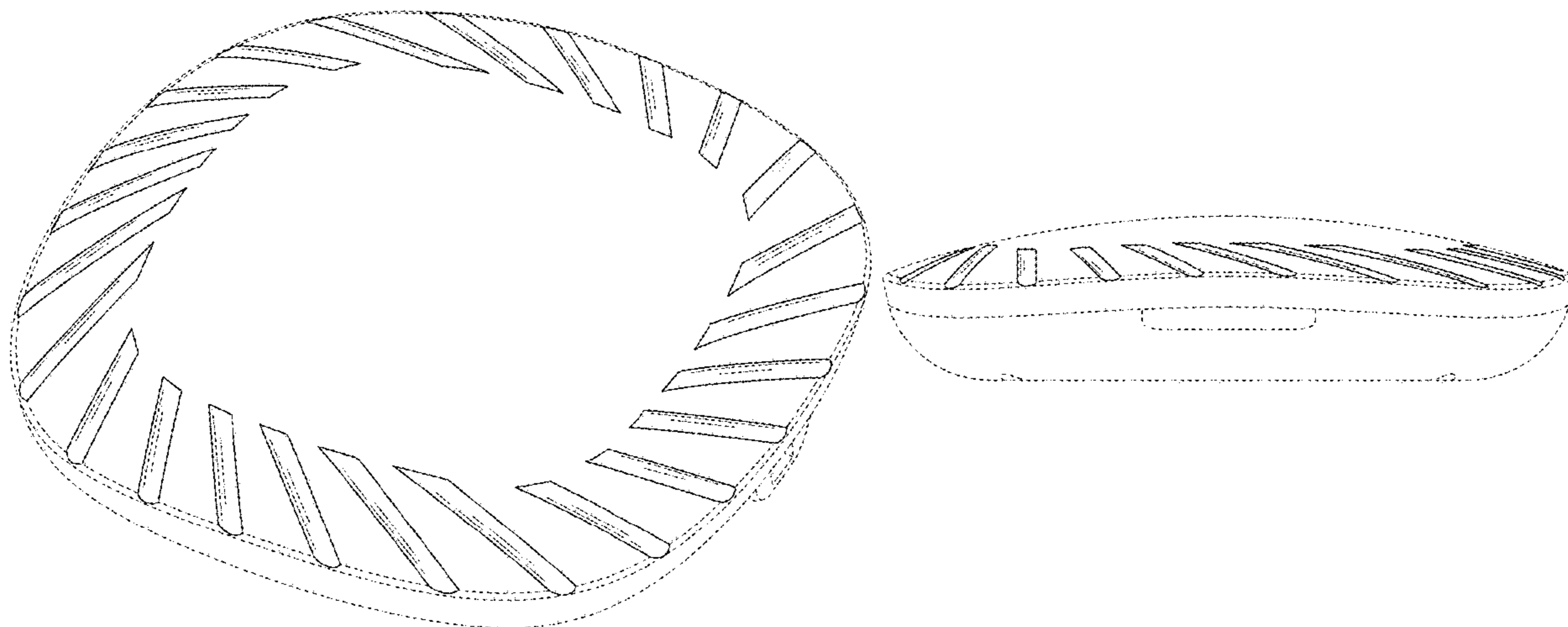
I claim the ornamental design for a network access point, as shown and described.

**DESCRIPTION**

FIG. 1 is a top perspective view of a network access point;  
 FIG. 2 is a left side view thereof;  
 FIG. 3 is a right side view thereof;  
 FIG. 4 is a rear view thereof;  
 FIG. 5 is a front view thereof;  
 FIG. 6 is a top view thereof; and,  
 FIG. 7 is a bottom view thereof.

The broken line in the drawings depict portions of the network access point that from no part of the claimed design.

**1 Claim, 5 Drawing Sheets**



(56)

References Cited

U.S. PATENT DOCUMENTS

D460,753 S \* 7/2002 Hill ..... D14/240  
 D461,466 S \* 8/2002 Oakley ..... D14/242  
 D462,954 S \* 9/2002 Chen ..... D14/299  
 D464,958 S \* 10/2002 Coker ..... D14/240  
 D467,242 S \* 12/2002 Warner ..... D14/230  
 D471,882 S \* 3/2003 Lan ..... D14/125  
 D479,203 S \* 9/2003 Korematsu ..... D13/158  
 D485,820 S \* 1/2004 Murakami ..... D14/168  
 D533,147 S \* 12/2006 Chiu ..... D14/125  
 D552,549 S \* 10/2007 Hsu ..... D13/133  
 D575,280 S \* 8/2008 Marquez ..... D14/240  
 D583,367 S \* 12/2008 Chen ..... D14/240  
 D583,795 S \* 12/2008 Keenum ..... D13/152  
 D592,207 S \* 5/2009 Goodburn ..... D14/257  
 D595,292 S \* 6/2009 Harden ..... D14/240  
 D595,293 S \* 6/2009 Harden ..... D14/240  
 D601,551 S \* 10/2009 Ray ..... D14/240  
 D604,724 S \* 11/2009 Vorreiter ..... D14/240  
 D608,671 S \* 1/2010 Treharne ..... D10/106.5  
 D627,345 S \* 11/2010 Govindasamy ..... D14/240  
 D631,379 S \* 1/2011 Sutton ..... D10/106.5  
 D653,576 S \* 2/2012 Thalhammer ..... D10/106.5  
 D653,577 S \* 2/2012 Thalhammer ..... D10/106.5  
 D653,578 S \* 2/2012 Thalhammer ..... D10/106.5  
 D660,839 S 5/2012 Govindasamy et al.  
 D665,289 S \* 8/2012 Thalhammer ..... D10/106.5  
 D680,893 S \* 4/2013 Adams ..... D10/114.1  
 D682,266 S \* 5/2013 Wu ..... D14/240  
 D685,355 S \* 7/2013 Holleman ..... D14/240  
 D687,817 S \* 8/2013 Petersen ..... D14/240  
 D705,224 S \* 5/2014 Govindasamy ..... D14/356  
 D729,214 S \* 5/2015 Beaudoin ..... D14/230  
 D739,837 S \* 9/2015 Bush ..... D13/184  
 D740,778 S \* 10/2015 Ookawa ..... D14/149  
 D741,304 S \* 10/2015 Cowles ..... D14/240  
 D756,991 S \* 5/2016 Day ..... D14/314  
 D762,215 S \* 7/2016 Luttrell ..... D14/388  
 D778,889 S \* 2/2017 Nagao ..... D14/240  
 D782,429 S \* 3/2017 Xianda ..... D14/125  
 D785,608 S \* 5/2017 Weaver ..... D14/240

D790,514 S \* 6/2017 Woodward ..... D10/65  
 D794,019 S \* 8/2017 Kusano ..... D14/358  
 D813,212 S \* 3/2018 Nangeroni ..... D14/240  
 D813,239 S \* 3/2018 Akana ..... D14/432  
 D815,150 S \* 4/2018 Hu ..... D14/496  
 D816,070 S \* 4/2018 Marzynski ..... D14/240  
 D821,374 S 6/2018 Jun et al.  
 D824,384 S \* 7/2018 Magi ..... D14/356  
 D828,342 S \* 9/2018 Chen ..... D14/240  
 D831,646 S \* 10/2018 Kusano ..... D14/358  
 D835,085 S \* 12/2018 Burmeister-Brown ..... D14/240  
 D848,008 S \* 5/2019 Saringer ..... A61F 7/00  
 D862,731 S \* 10/2019 Hu ..... D24/231  
 D879,150 S \* 3/2020 Kusano ..... D14/358

FOREIGN PATENT DOCUMENTS

CN	303596688	2/2016
CN	304297306	9/2017
KR	300671087.0000	11/2012
KR	300932965.0000	11/2017

OTHER PUBLICATIONS

Wireless access point and routers. (Design—© Questel) orbit.com. [online PDF] 11 pgs. Print Dates range Jul. 1, 2015 through Sep. 7, 2018. [retrieved Apr. 13, 2020] <https://www.orbit.com/export/QPTUJ214/pdf2/1ac62010-b8d9-4a55-b619-f77b0f493580-171059.pdf>.  
 Smith, Dennis, "Dell Networking W-Series 802.11ac Competitive Face Off", Dell TechCenter, Sep. 20, 2013, 5 pages.  
 Kezia Gollapudi, "Making Intelligent Wi-Fi Investments", Aruba Webinar, Jan. 29, 2015, 15 pages.  
 "OmniAccess Wireless Access Points" Alcatel-Lucent Enterprise, retrieved from <<https://www.al-enterprise.com/en/products/wlan/omniaccess-wireless-access-points>> on Oct. 15, 2018, 7 pages.  
 "Netgear ProSAFE Business 2x2 Dual Band Wireless-AC Access Point (WAC720)" Lifetime Warranty " product details, 2015, 4 pages.

\* cited by examiner

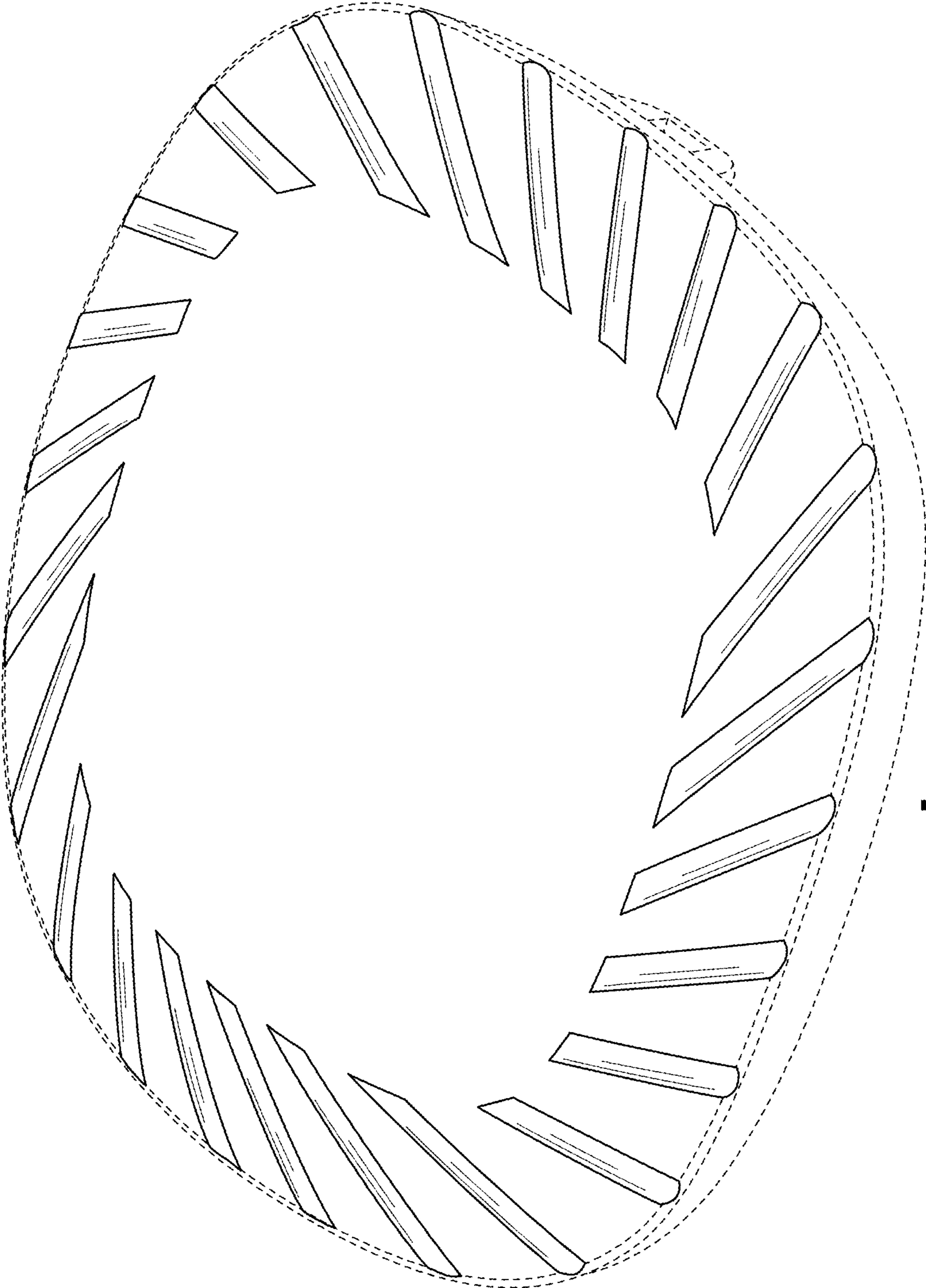
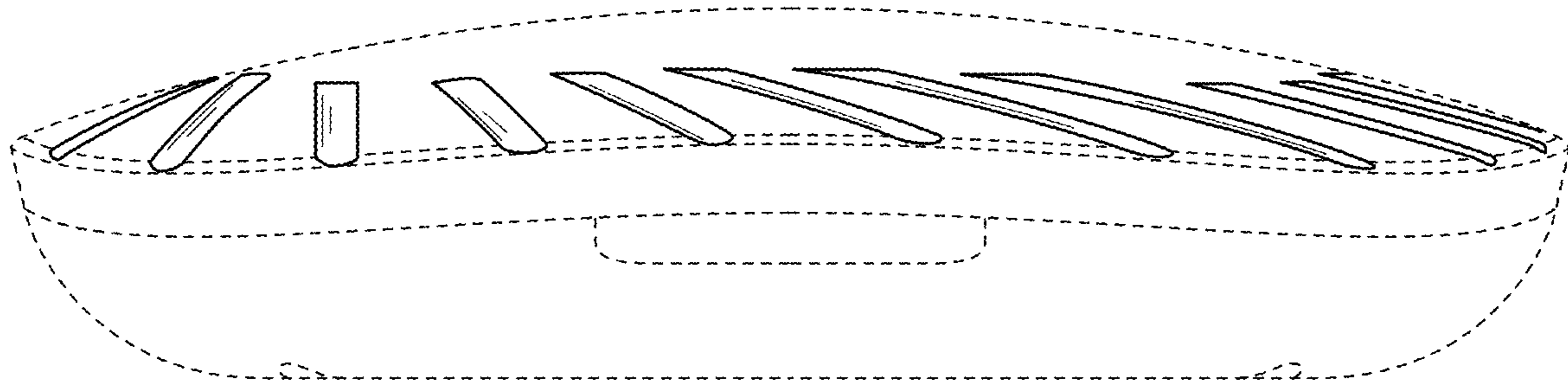
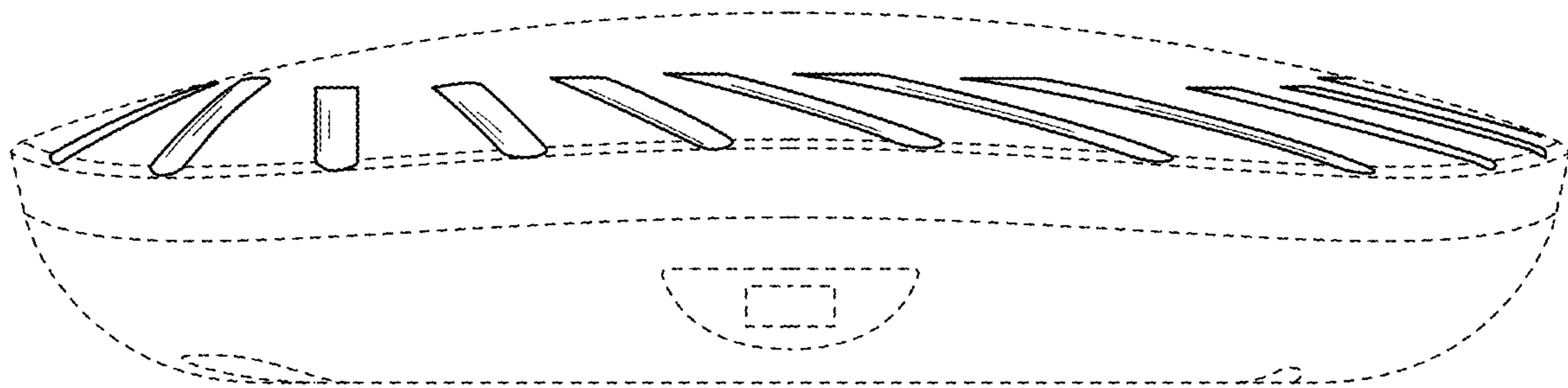


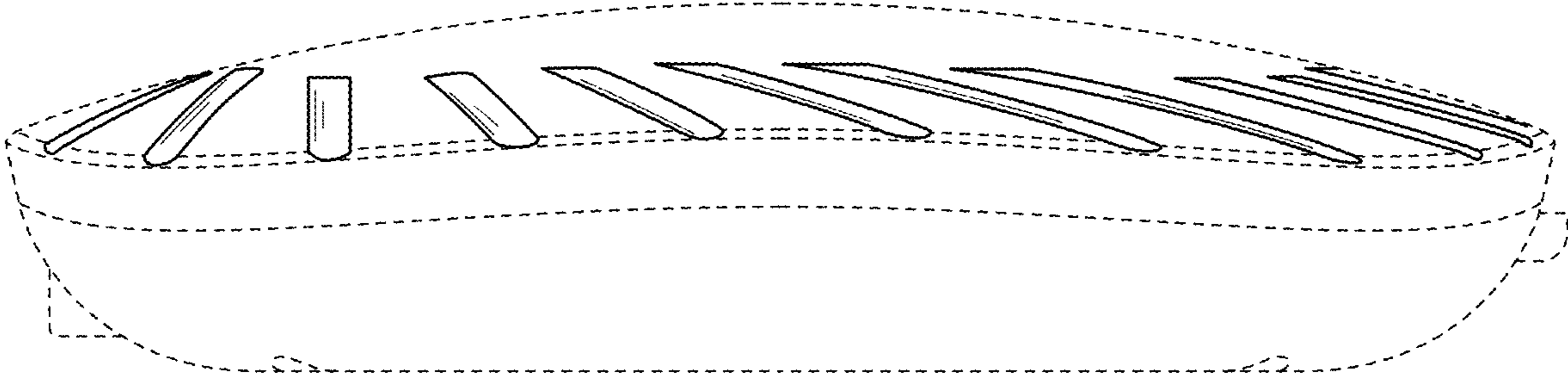
FIG. 1



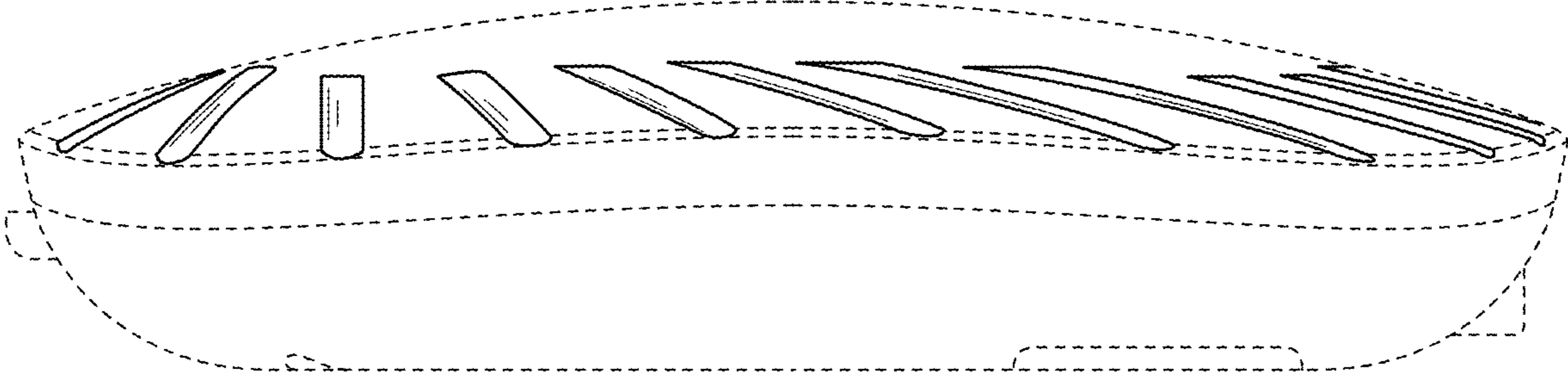
**FIG. 2**



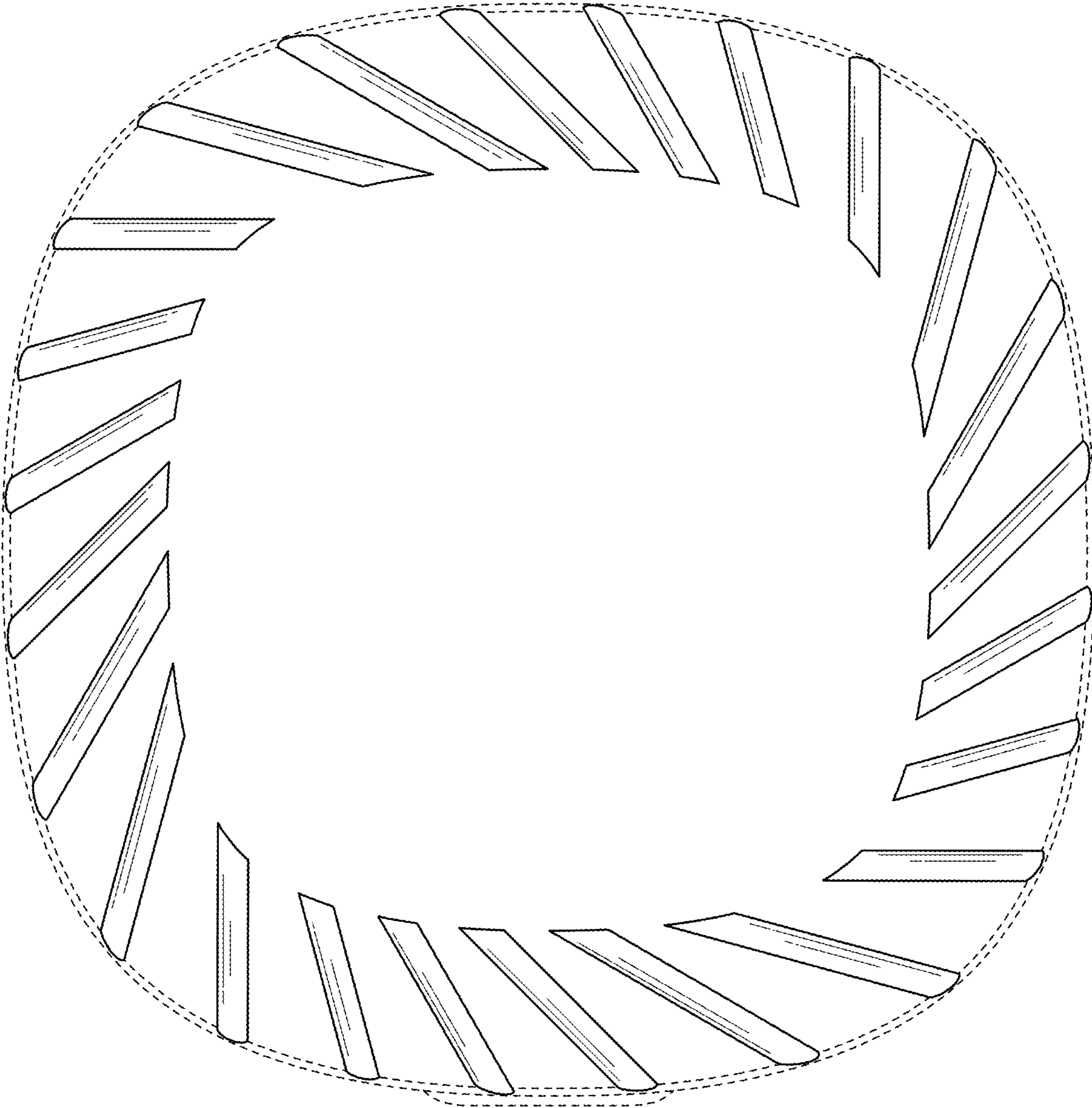
**FIG. 3**



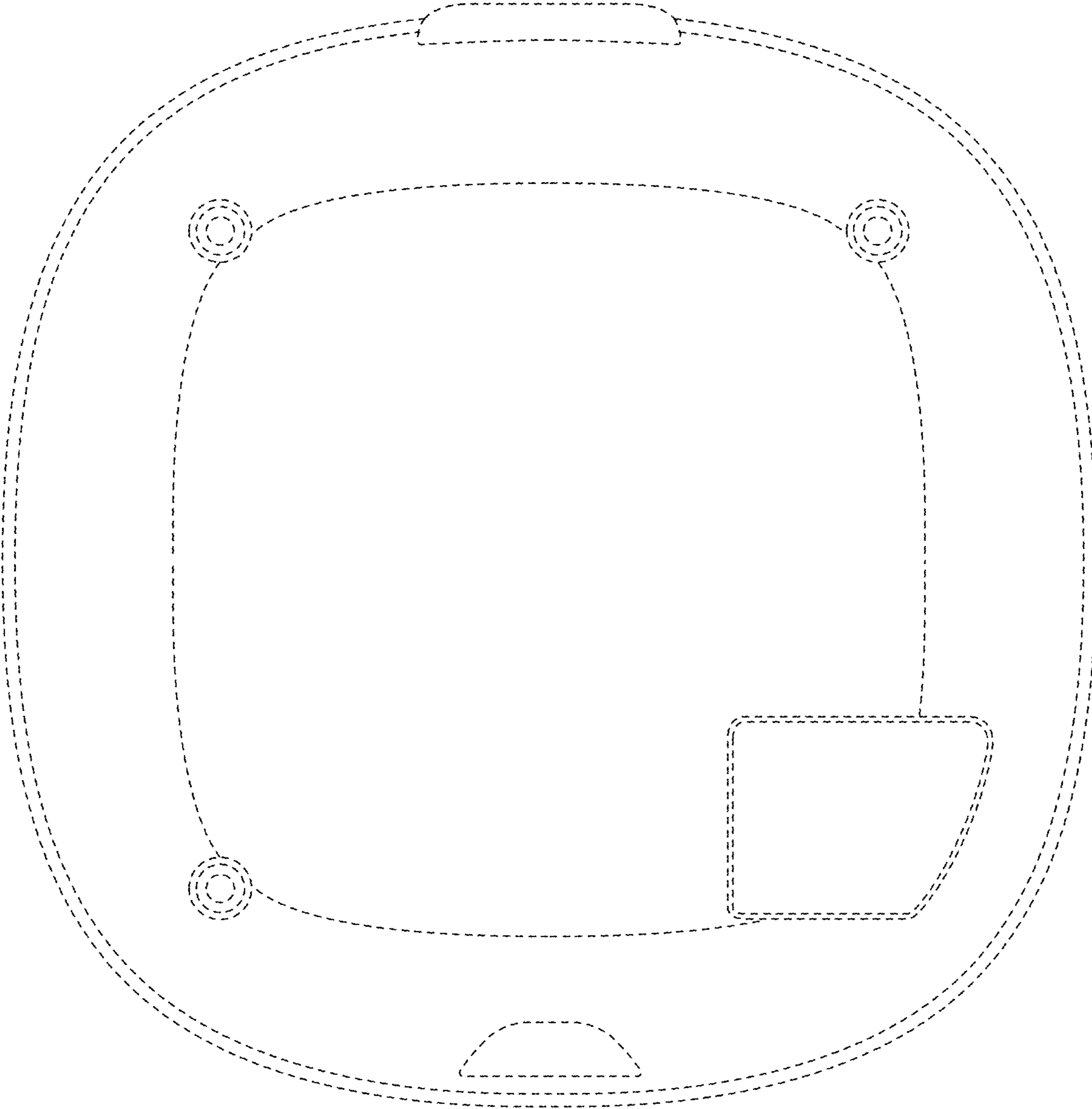
**FIG. 4**



**FIG. 5**



**FIG. 6**



**FIG. 7**