



US00D892774S

(12) **United States Design Patent** (10) **Patent No.:** **US D892,774 S**  
**Sudo et al.** (45) **Date of Patent:** **\*\* Aug. 11, 2020**

(54) **WIRELESS TRANSMISSION/RECEPTION MODULE**

- (71) Applicant: **Murata Manufacturing Co., Ltd.**,  
Nagaokakyo-shi, Kyoto-fu (JP)
- (72) Inventors: **Kaoru Sudo**, Nagaokakyo (JP);  
**Michiharu Yokoyama**, Nagaokakyo (JP);  
**Hideki Ueda**, Nagaokakyo (JP);  
**Ryukun Mizunuma**, Nagaokakyo (JP);  
**Masayuki Nakajima**, Nagaokakyo (JP)
- (73) Assignee: **MURATA MANUFACTURING CO., LTD.**,  
Nagaokakyo-Shi, Kyoto-Fu (JP)
- (\*\*) Term: **15 Years**
- (21) Appl. No.: **29/645,309**
- (22) Filed: **Apr. 25, 2018**

**Related U.S. Application Data**

- (60) Continuation-in-part of application No. 29/555,860,  
filed on Feb. 25, 2016, now Pat. No. Des. 830,348,  
which is a division of application No. 29/485,828,  
filed on Mar. 24, 2014, now Pat. No. Des. 757,693.

(30) **Foreign Application Priority Data**

Sep. 26, 2013	(JP)	.....	2013-022360
Dec. 26, 2013	(JP)	.....	2013-030527
Dec. 26, 2013	(JP)	.....	2013-030528
Dec. 26, 2013	(JP)	.....	2013-030529

(51) **LOC (12) Cl.** ..... **14-03**

(52) **U.S. Cl.**  
USPC ..... **D14/230**

(58) **Field of Classification Search**  
USPC ..... D14/230  
See application file for complete search history.

(56) **References Cited**

U.S. PATENT DOCUMENTS

D533,546	S *	12/2006	Iizuka	.....	D14/230
D540,272	S *	4/2007	Higashibata	.....	D13/182
7,215,296	B2 *	5/2007	Abramov	.....	H01Q 3/24 343/834

(Continued)

*Primary Examiner* — John Windmuller

(74) *Attorney, Agent, or Firm* — Arent Fox LLP

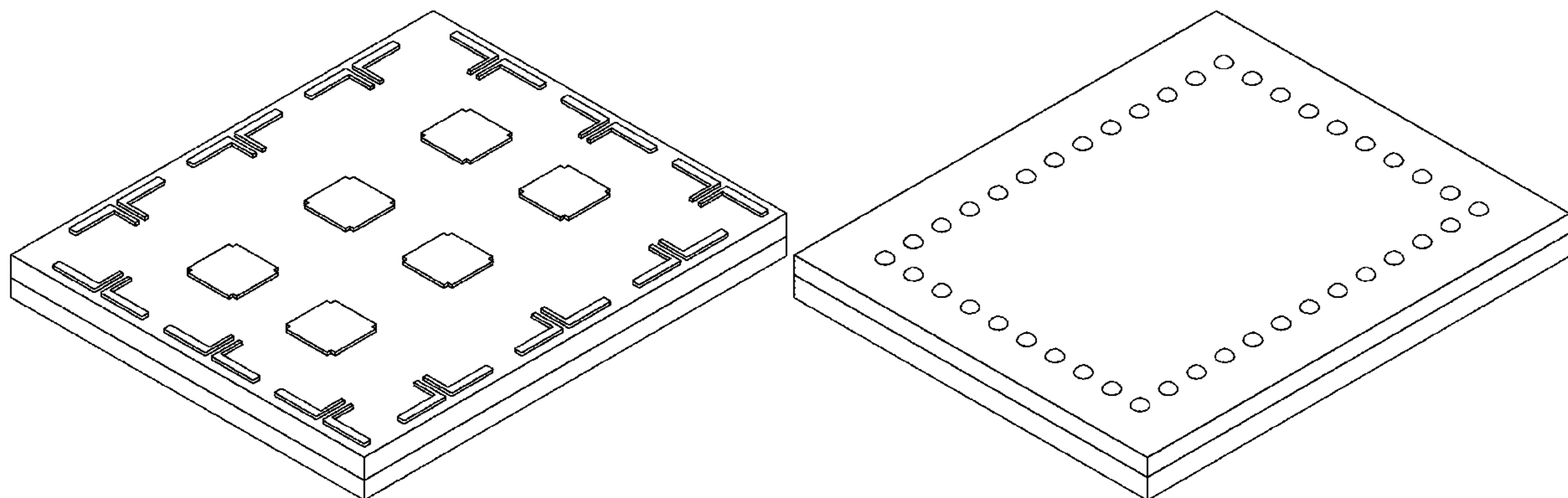
(57) **CLAIM**

The ornamental design for a wireless transmission/reception module, as shown and described.

**DESCRIPTION**

FIG. 1 is a front view of a wireless transmission/reception module of a first embodiment showing our new design;  
 FIG. 2 is a top plan view thereof;  
 FIG. 3 is a bottom plan view thereof;  
 FIG. 4 is a left side view thereof;  
 FIG. 5 is a perspective view 1 thereof;  
 FIG. 6 is a perspective view 2 thereof;  
 FIG. 7 is a front view of a wireless transmission/reception module of a second embodiment showing our new design;  
 FIG. 8 is a top plan view thereof;  
 FIG. 9 is a bottom plan view thereof;  
 FIG. 10 is a left side view thereof;  
 FIG. 11 is a perspective view 1 thereof;  
 FIG. 12 is a perspective view 2 thereof;  
 FIG. 13 is a front view of a wireless transmission/reception module of a third embodiment showing our new design;  
 FIG. 14 is a top plan view thereof;  
 FIG. 15 is a bottom plan view thereof;  
 FIG. 16 is a left side view thereof;  
 FIG. 17 is a perspective view 1 thereof; and,  
 FIG. 18 is a perspective view 2 thereof.

**1 Claim, 9 Drawing Sheets**



(56)

**References Cited**

## U.S. PATENT DOCUMENTS

7,453,401 B2 \* 11/2008 Jow ..... H01Q 1/36  
343/700 MS

D585,436 S 1/2009 Fang

D592,192 S 5/2009 Oliver

8,184,601 B2 \* 5/2012 Abramov ..... H01Q 3/24  
370/310

8,436,627 B1 5/2013 Peng

D706,247 S 6/2014 Zheng

D713,826 S 9/2014 McDonnell

D754,108 S \* 4/2016 Yang ..... D14/230

D755,163 S \* 5/2016 Yokoyama ..... D14/230

D768,115 S \* 10/2016 Kazanchian ..... D13/182

D778,851 S \* 2/2017 Matsumoto ..... D13/182

2003/0030587 A1 \* 2/2003 Yuasa ..... H01Q 1/243  
343/700 MS

2006/0054710 A1 \* 3/2006 Forster ..... H01Q 1/22  
235/492

2007/0096993 A1 5/2007 Tikhov

2010/0085326 A1 4/2010 Anno

2010/0265150 A1 10/2010 Arvidsson

2010/0308949 A1 \* 12/2010 Lim ..... H01F 17/0013  
336/218

2011/0254739 A1 10/2011 Dudley

2012/0038514 A1 \* 2/2012 Bang ..... H05K 1/16  
343/700 MS

2014/0118191 A1 \* 5/2014 Smith ..... H01Q 19/30  
342/372

2015/0234035 A1 \* 8/2015 Lohofener ..... G01S 7/03  
343/702

2016/0248171 A1 \* 8/2016 John ..... H01Q 21/26

\* cited by examiner

FIG.1



FIG.2

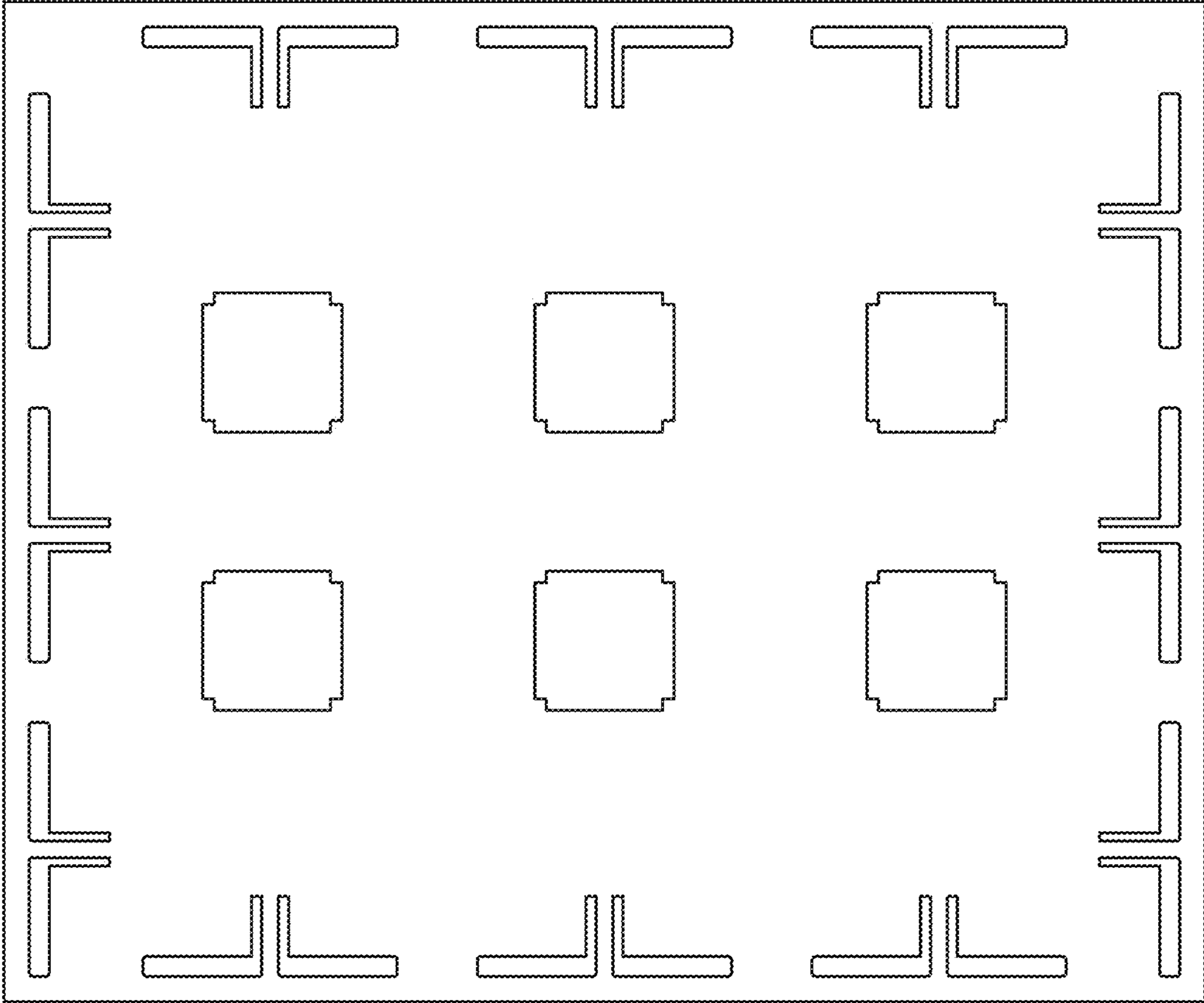


FIG.3

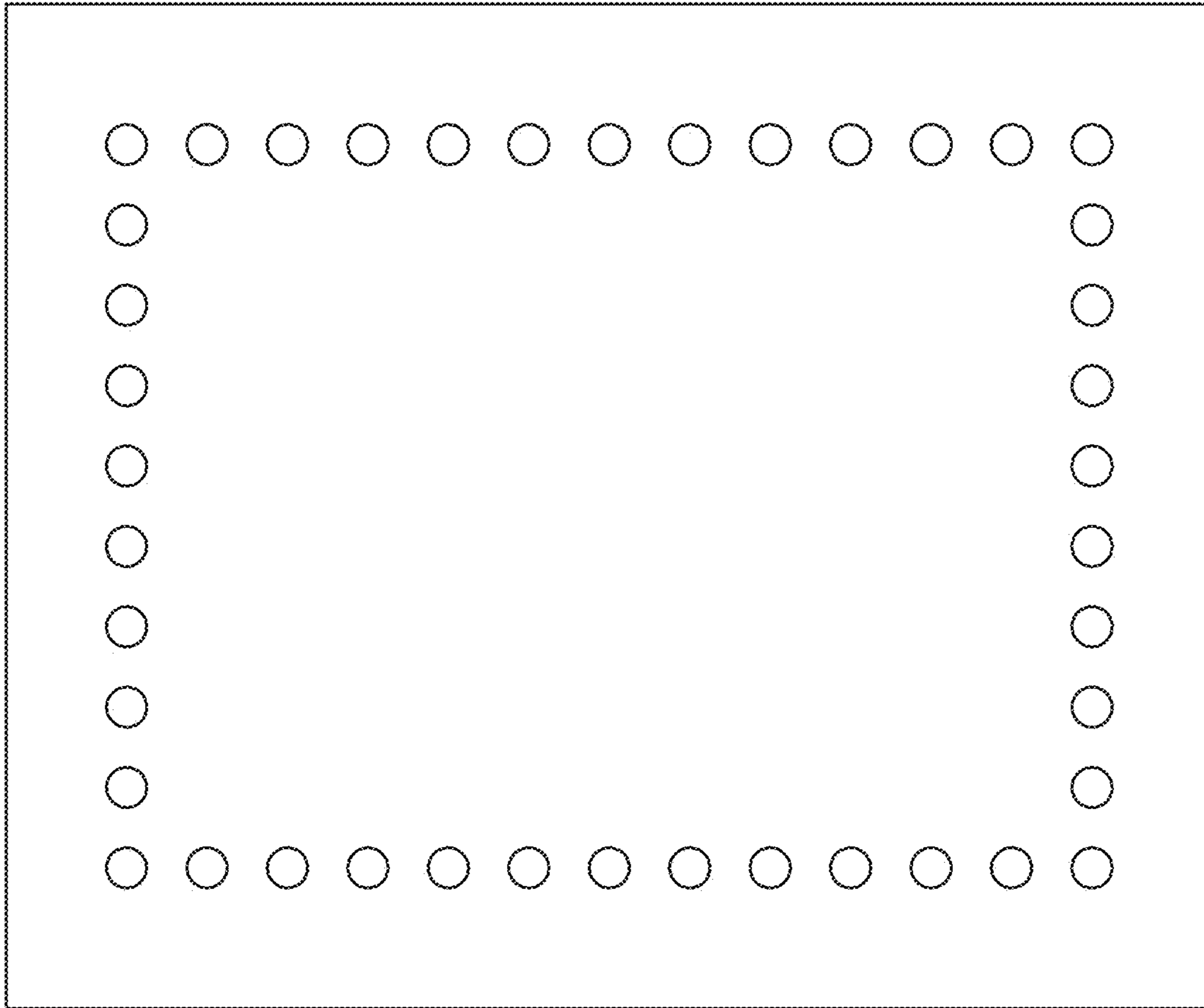


FIG.4

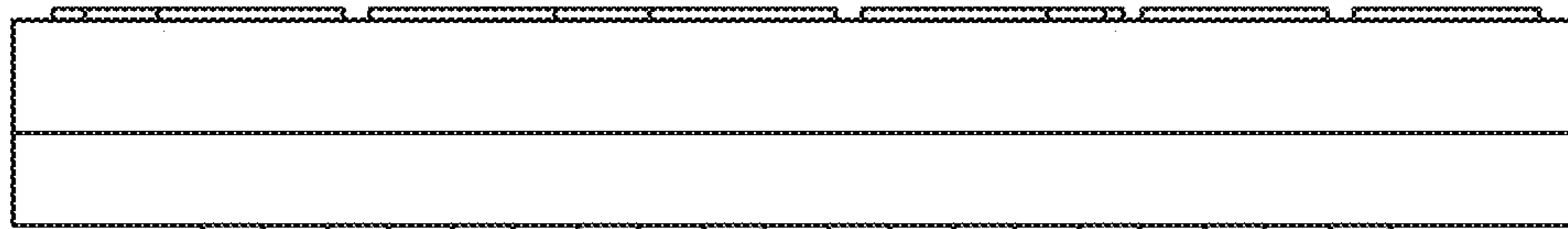


FIG.5

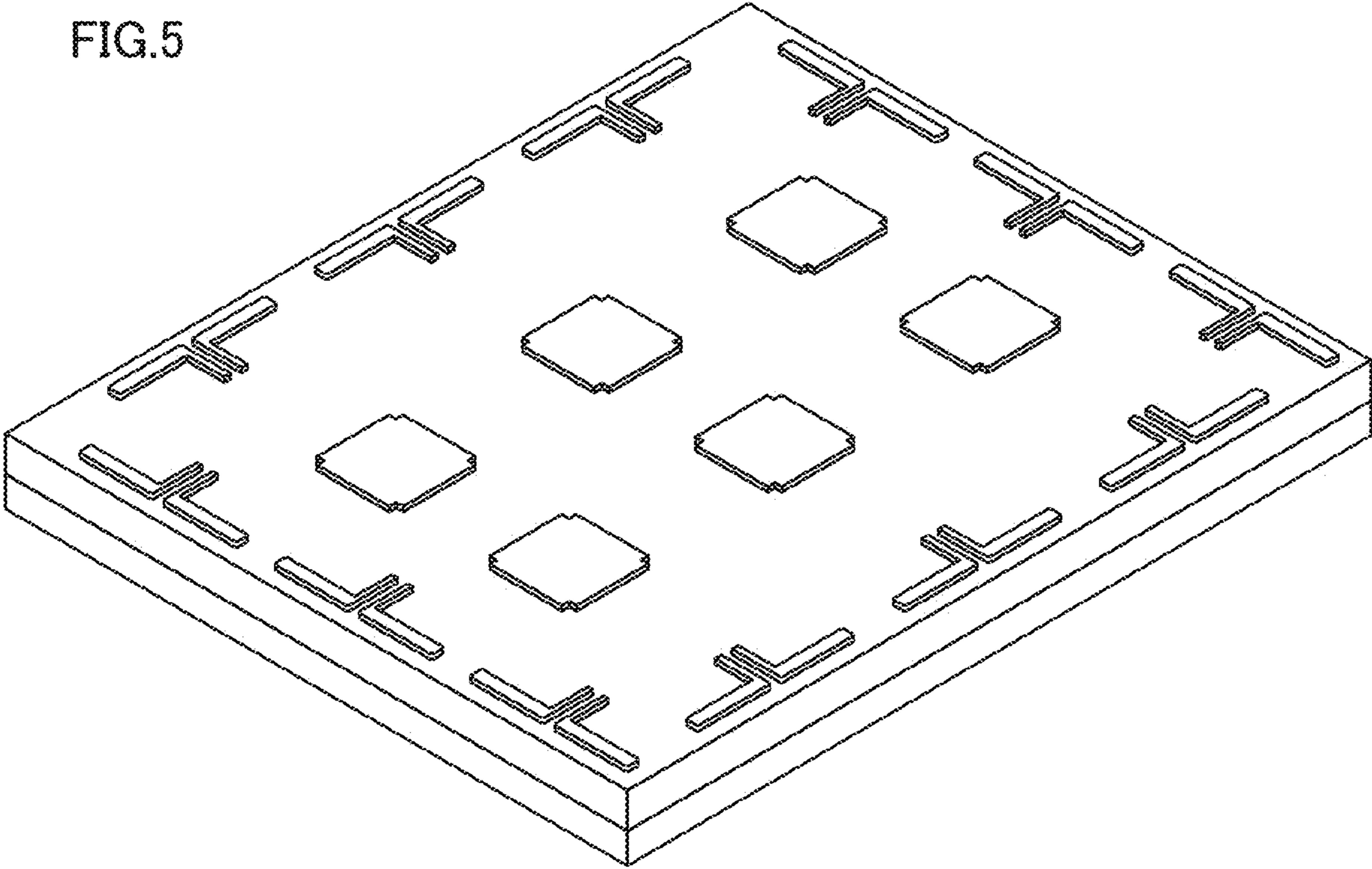


FIG.6

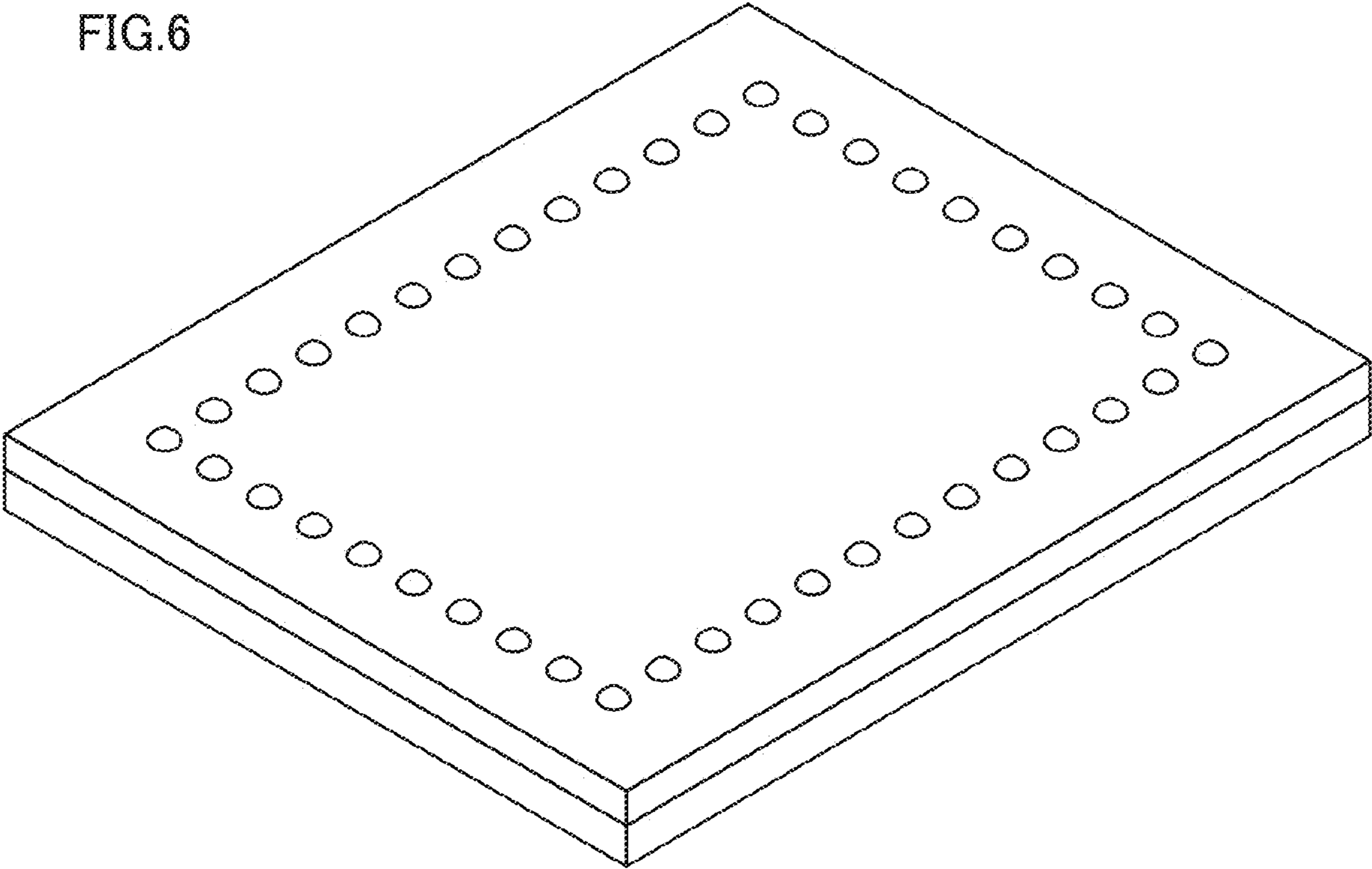


FIG. 7



FIG. 8

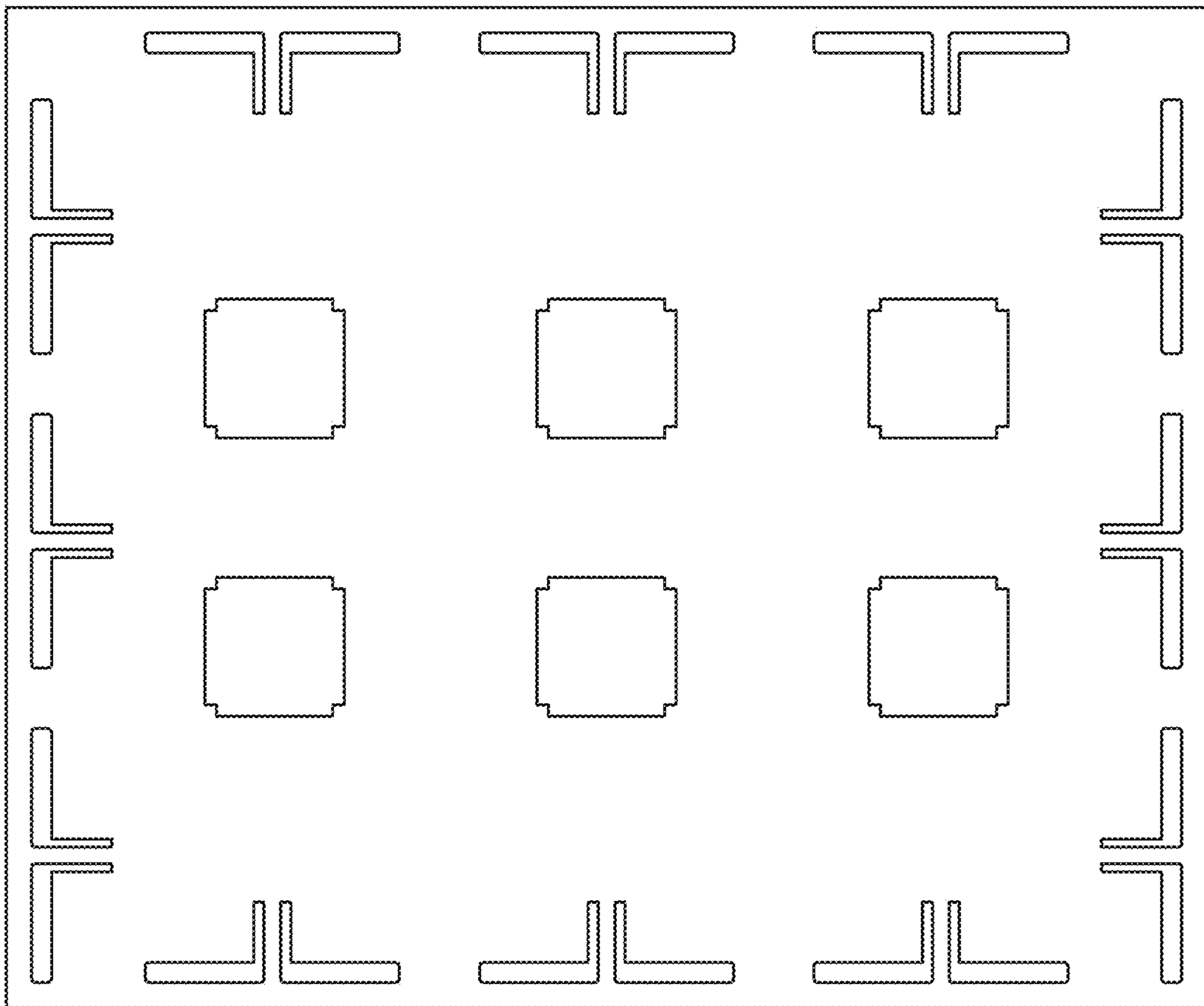


FIG.9

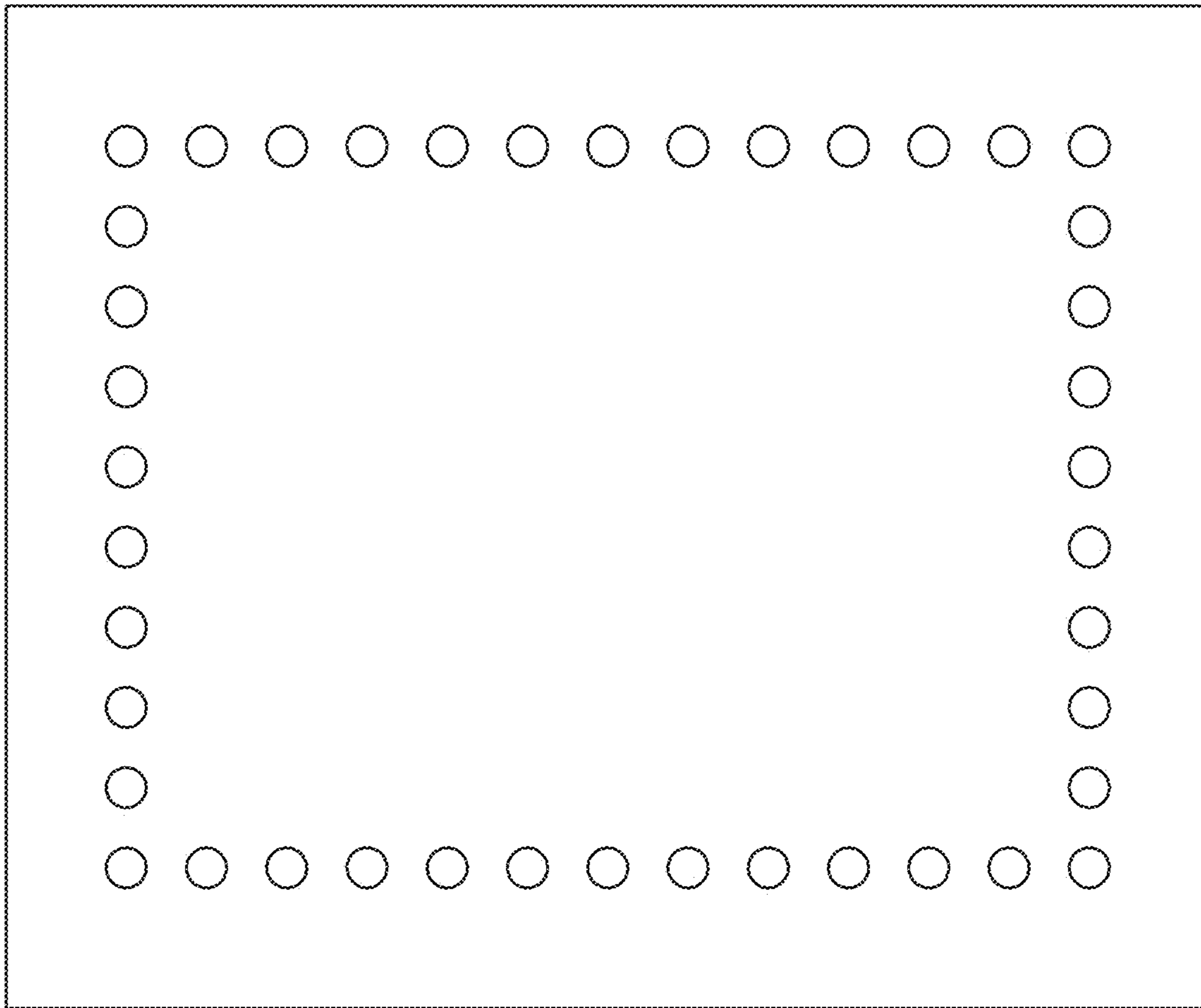


FIG.10

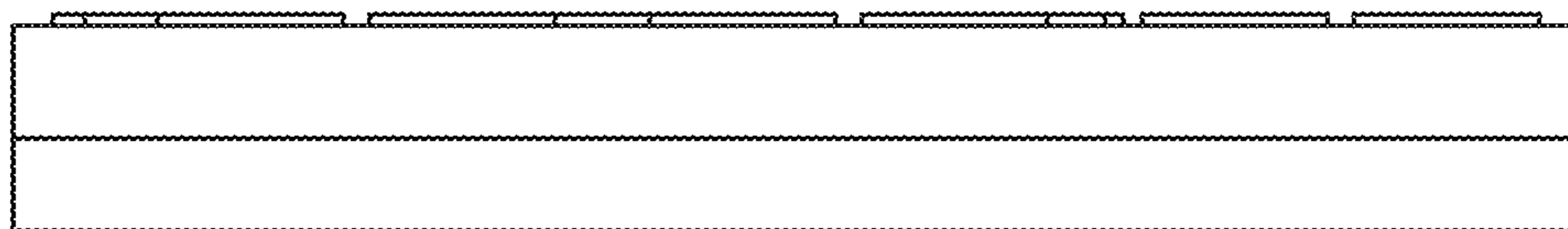


FIG.11

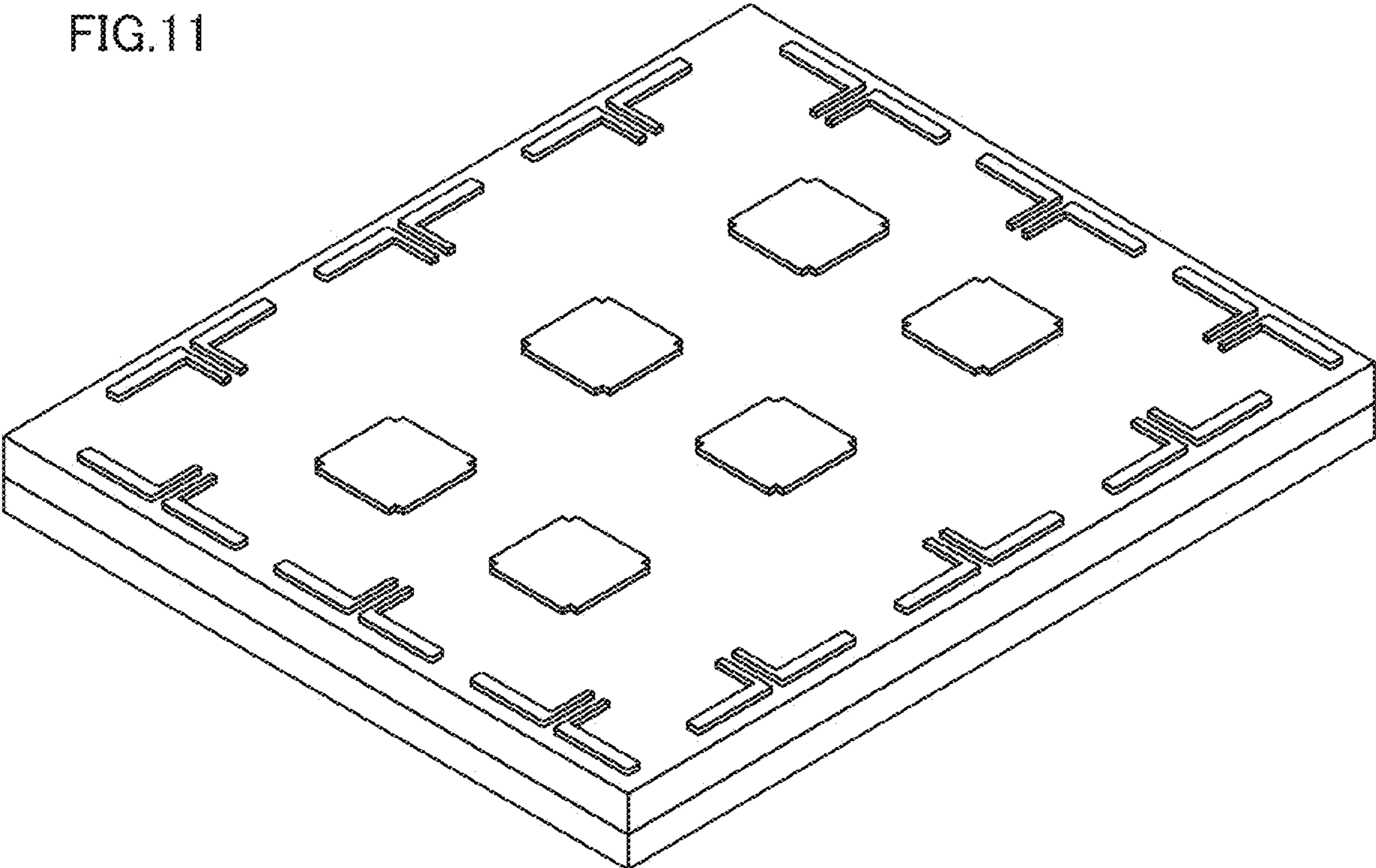


FIG.12

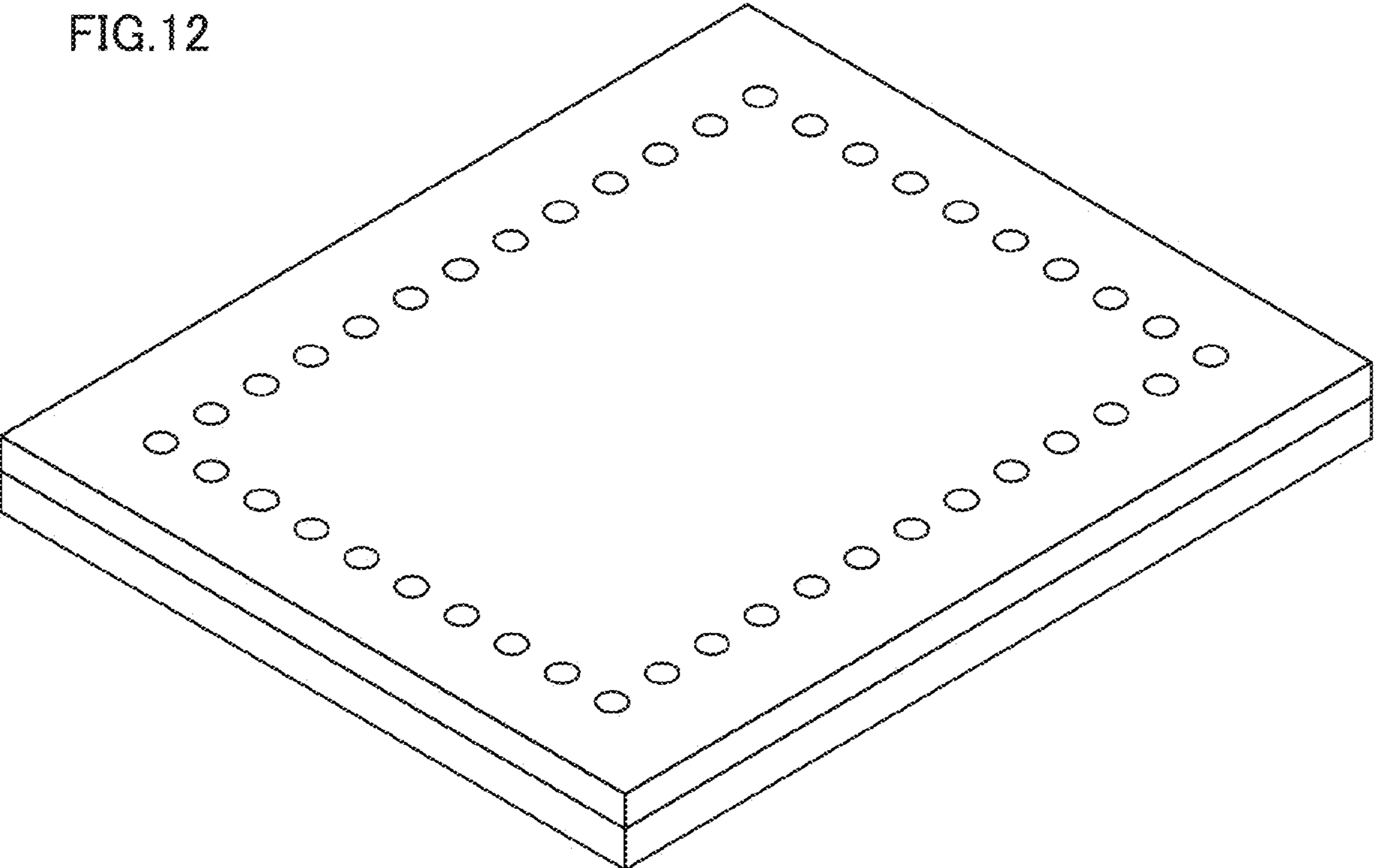




FIG.13



FIG.14

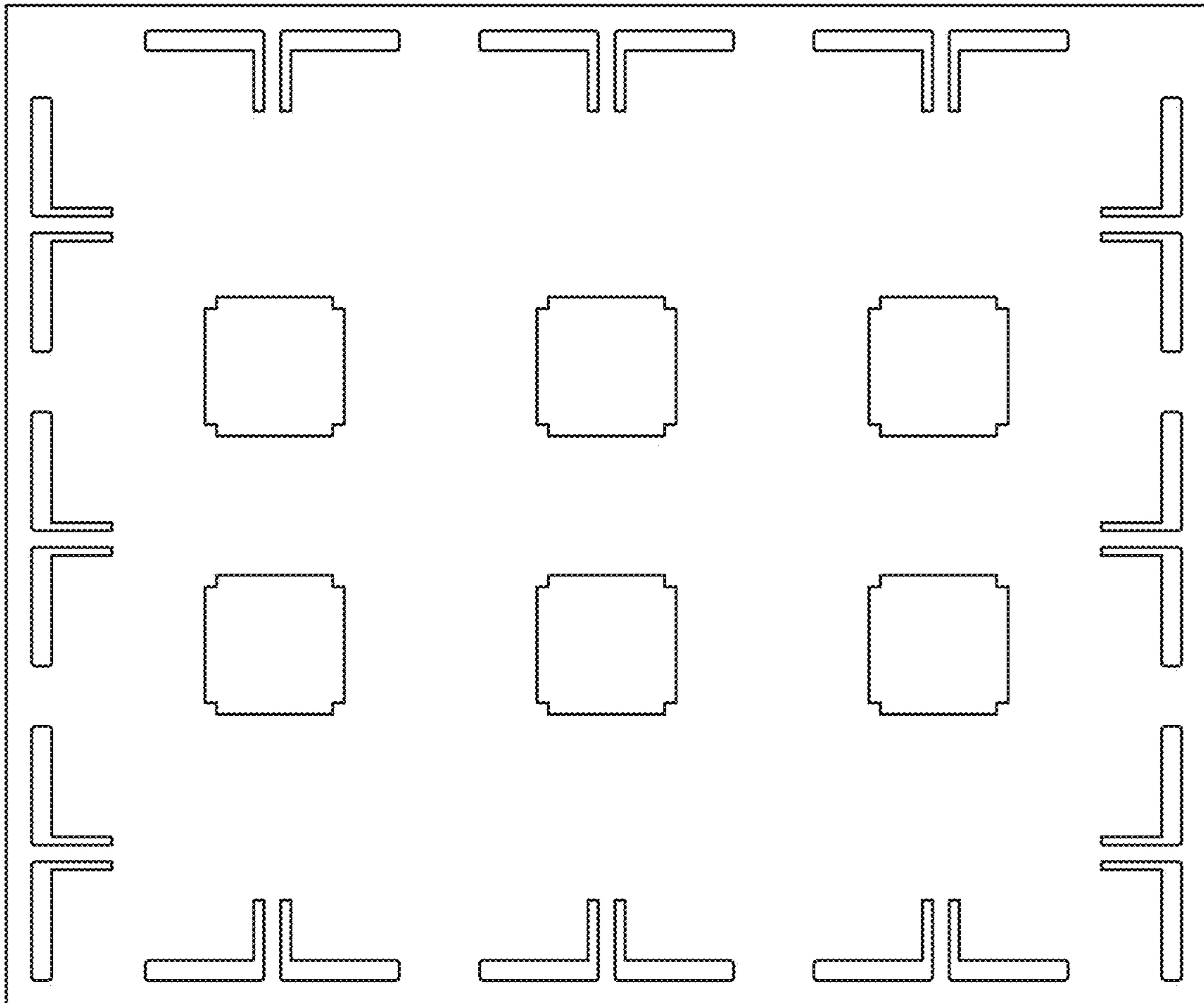


FIG.15

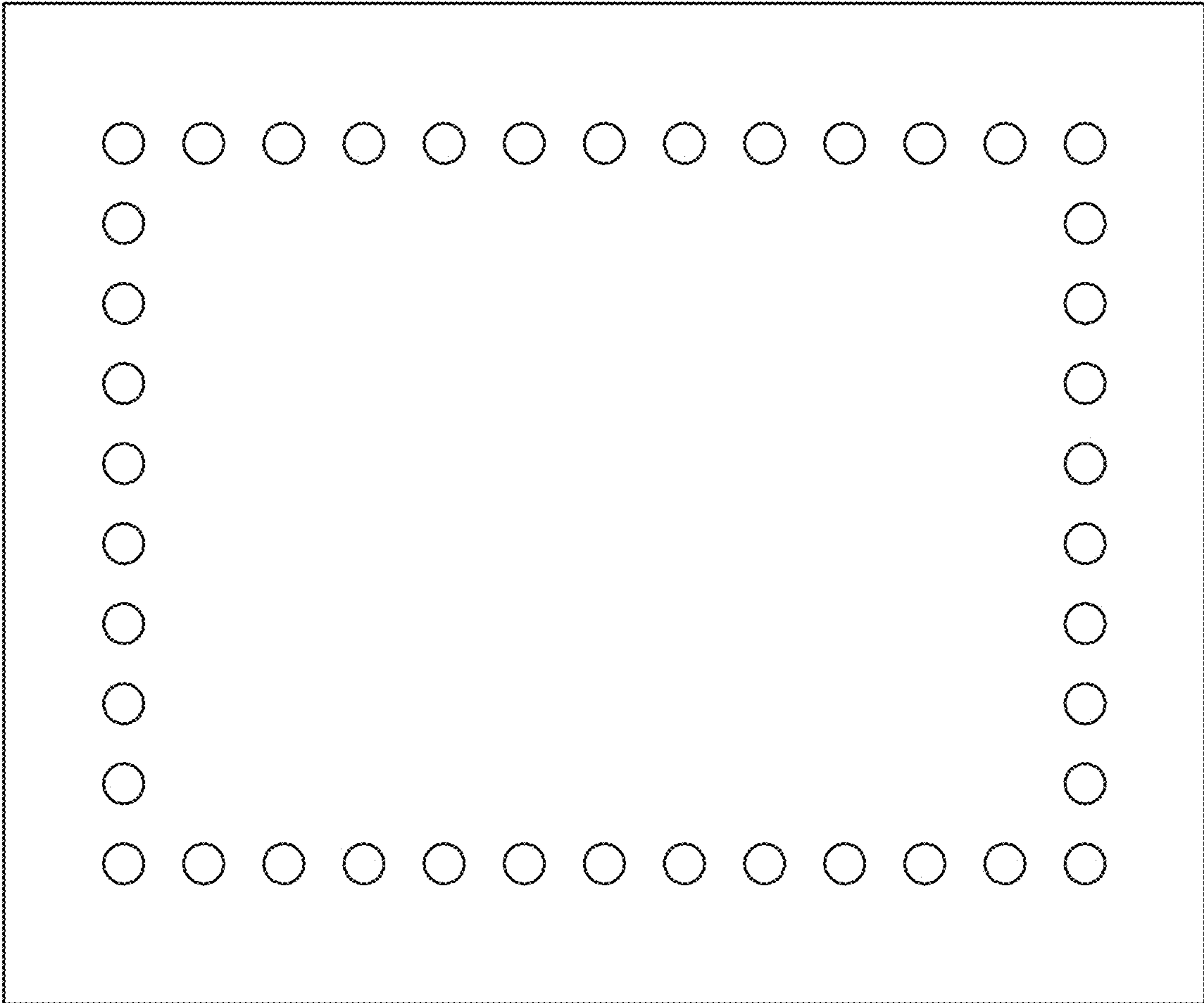


FIG.16



FIG.17

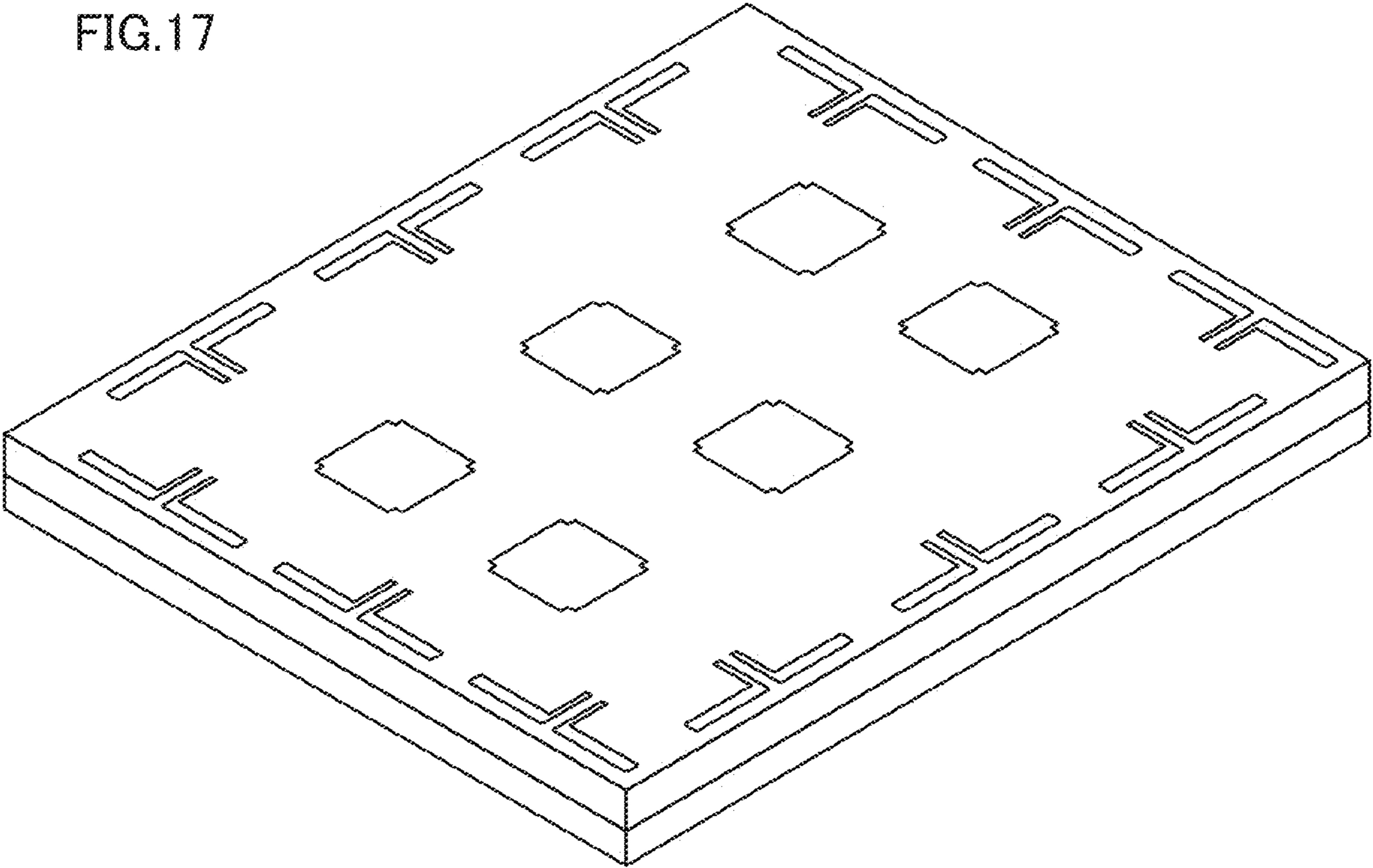


FIG.18

