

US00D892772S

(12) **United States Design Patent**
Wu

(10) **Patent No.:** **US D892,772 S**

(45) **Date of Patent:** **** Aug. 11, 2020**

(54) **HEADPHONE STAND**

(71) Applicant: **Youyou Wu**, Arcadia, CA (US)

(72) Inventor: **Youyou Wu**, Arcadia, CA (US)

(**) Term: **15 Years**

(21) Appl. No.: **29/639,389**

(22) Filed: **Mar. 6, 2018**

(51) **LOC (12) Cl.** **14-01**

(52) **U.S. Cl.**
USPC **D14/224**

(58) **Field of Classification Search**
USPC ... D14/204, 209, 209.1, 210, 211, 217, 221,
D14/222, 224, 224.1, 155, 137, 229, 251,
D14/168, 149, 253, 466, 447, 252, 254;
D6/682, 675.1, 672, 673, 380, 406.3,
D6/406.6, 406.4, 406.5, 641, 648, 653,
D6/654, 655, 654.18, 655.11, 708.16,
D6/709.2, 710; D8/373, 380, 352, 353,
D8/354, 349, 371
CPC G10G 5/00; H04R 1/1091; H04R 1/1075;
F16M 11/22; A47F 2007/0085; A47F
7/146; A47F 7/00; A47F 7/0028; A47F
7/0035; A47F 7/0042; A47F 5/04; A47F
5/05; B65D 85/42; A47G 25/00; A47G
25/10; A47J 47/16

See application file for complete search history.

(56) **References Cited**

U.S. PATENT DOCUMENTS

D600,925 S * 9/2009 Guffey D6/327
D723,011 S * 2/2015 Symons D14/224
D775,684 S * 1/2017 Jacob H04N 5/2251
D16/242
D780,490 S * 3/2017 James D6/682
D785,380 S * 5/2017 King D6/681

D788,080 S * 5/2017 Turksu D14/224
D813,850 S * 3/2018 Young, III D14/224
9,973,844 B1 * 5/2018 Young H04R 1/1091
D838,525 S * 1/2019 Guo D6/682.1
D845,723 S * 4/2019 Krevetski D8/1
2017/0251293 A1 * 8/2017 Green H04R 1/1025

* cited by examiner

Primary Examiner — Barbara Fox

Assistant Examiner — Messina L Smith

(74) *Attorney, Agent, or Firm* — QuickPatents, LLC;
Kevin Prince

(57) **CLAIM**

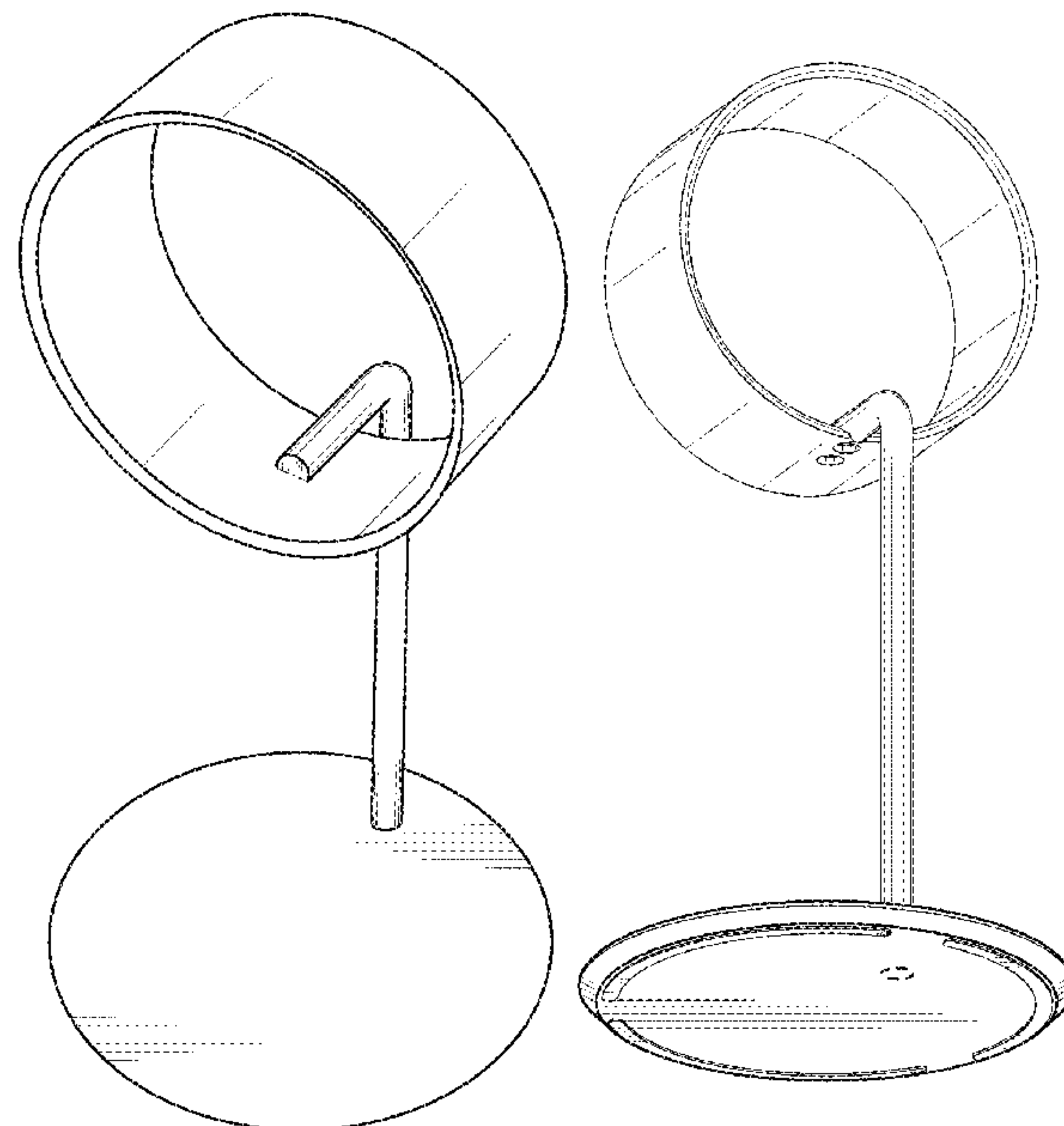
I claim the ornamental design for a headphone stand, as shown and described.

DESCRIPTION

FIG. 1 is a top perspective view of a headphone stand, showing my new design;
FIG. 2 is a bottom perspective view thereof;
FIG. 3 is a rear elevational view thereof;
FIG. 4 is a front elevational view thereof;
FIG. 5 is a right-side elevational view thereof, the left-side elevational view being a mirror image thereof;
FIG. 6 is a top plan view thereof;
FIG. 7 is a bottom plan view thereof; and,
FIG. 8 is another perspective view of the headphone stand shown with headphones.

The broken line showing of headphones in FIG. 8 depicts environmental matter and forms no part of the claimed design. The broken lines showing a circular feature in FIGS. 2 and 7 depict portions of the headphone stand that form no part of the claimed design.

1 Claim, 4 Drawing Sheets



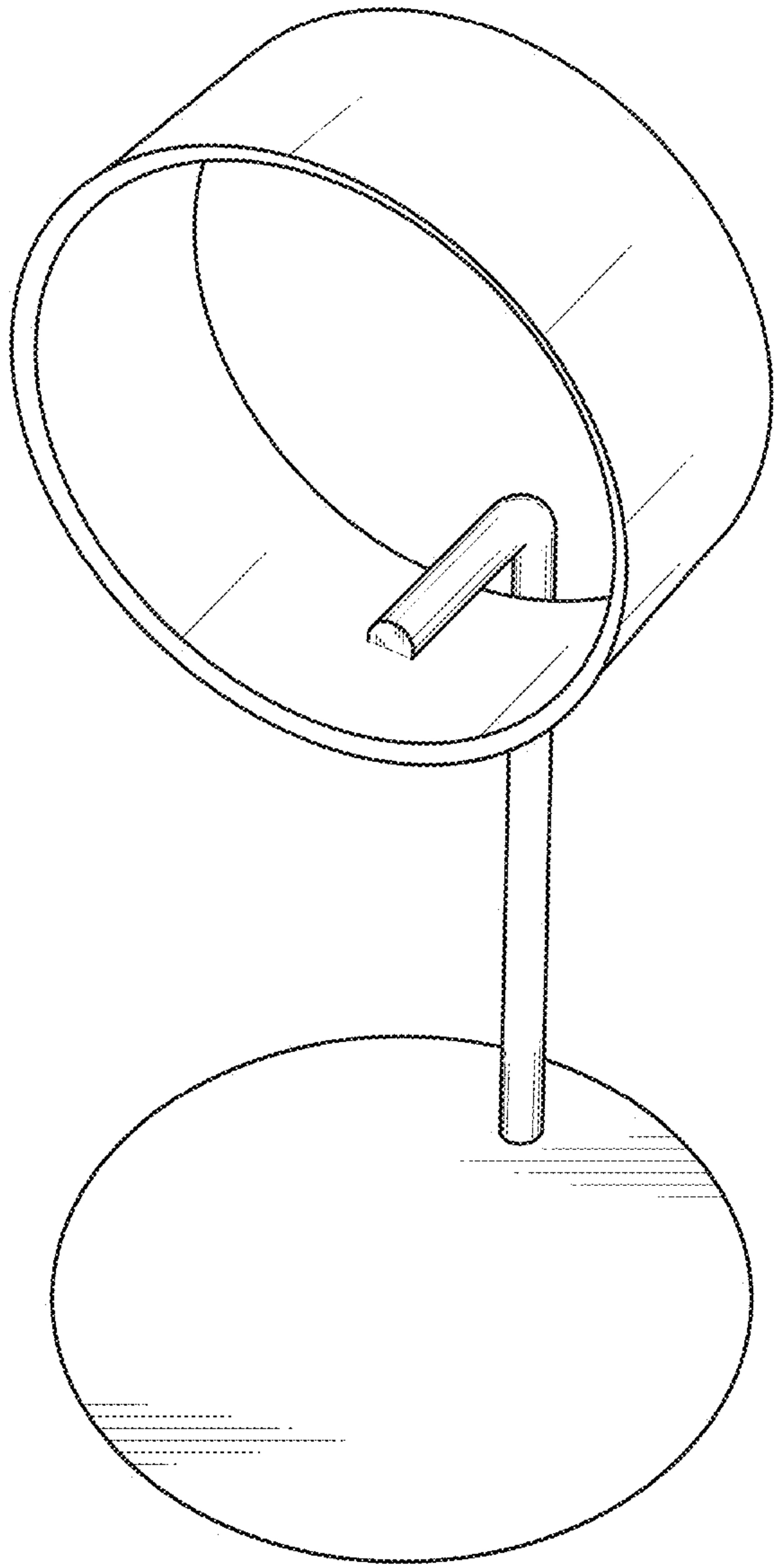


FIG. 1

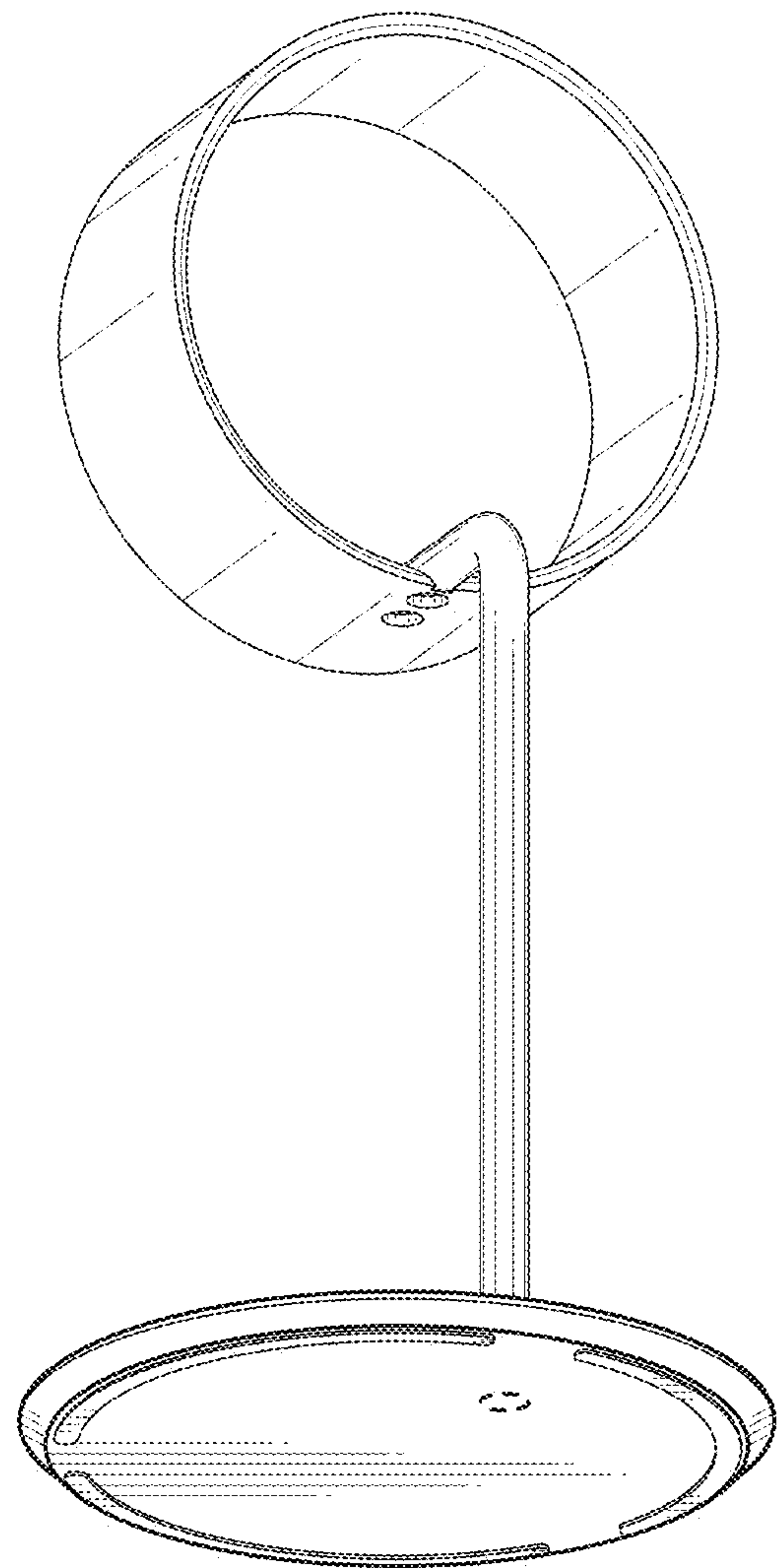


FIG. 2

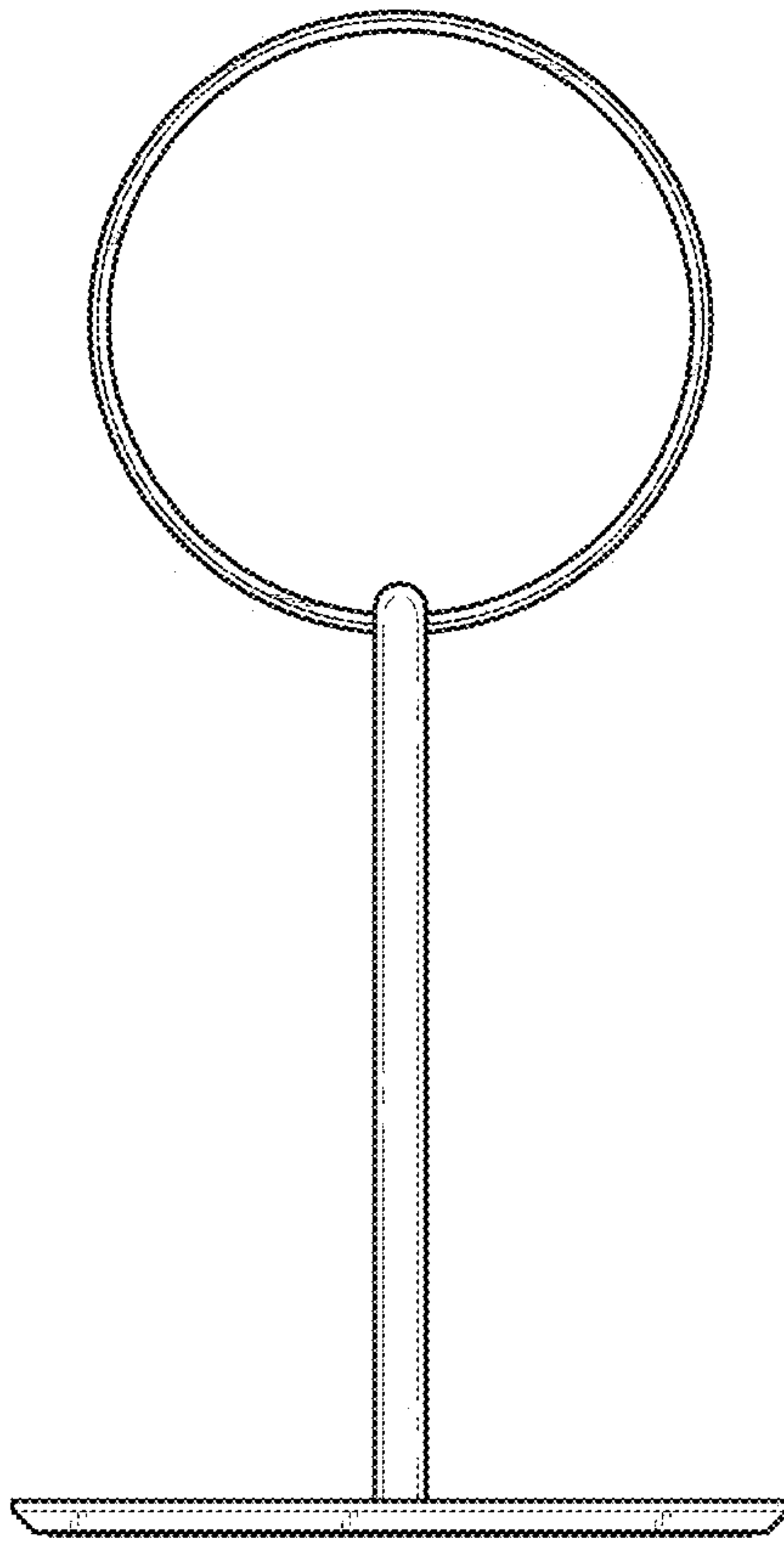


FIG. 3

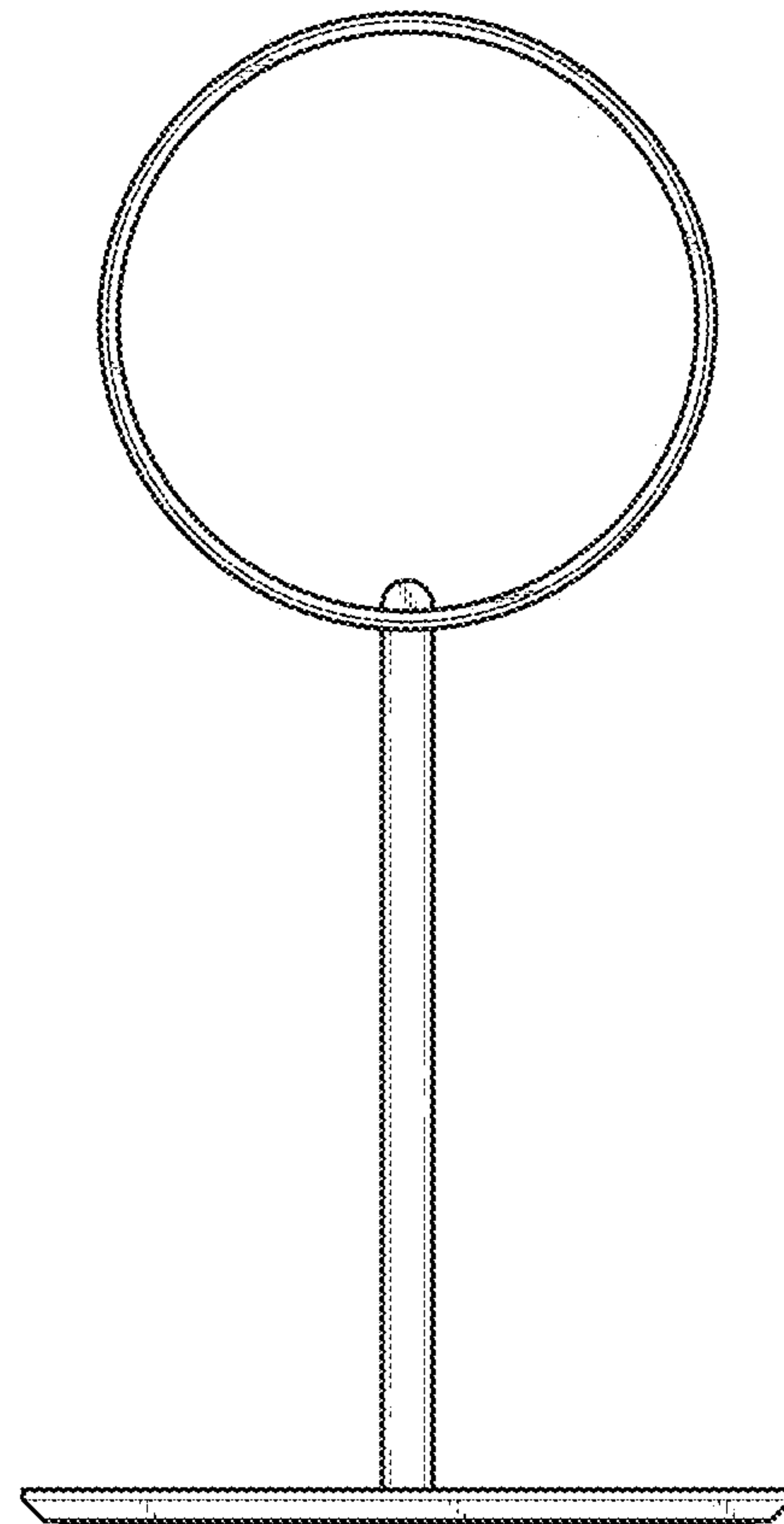


FIG. 4

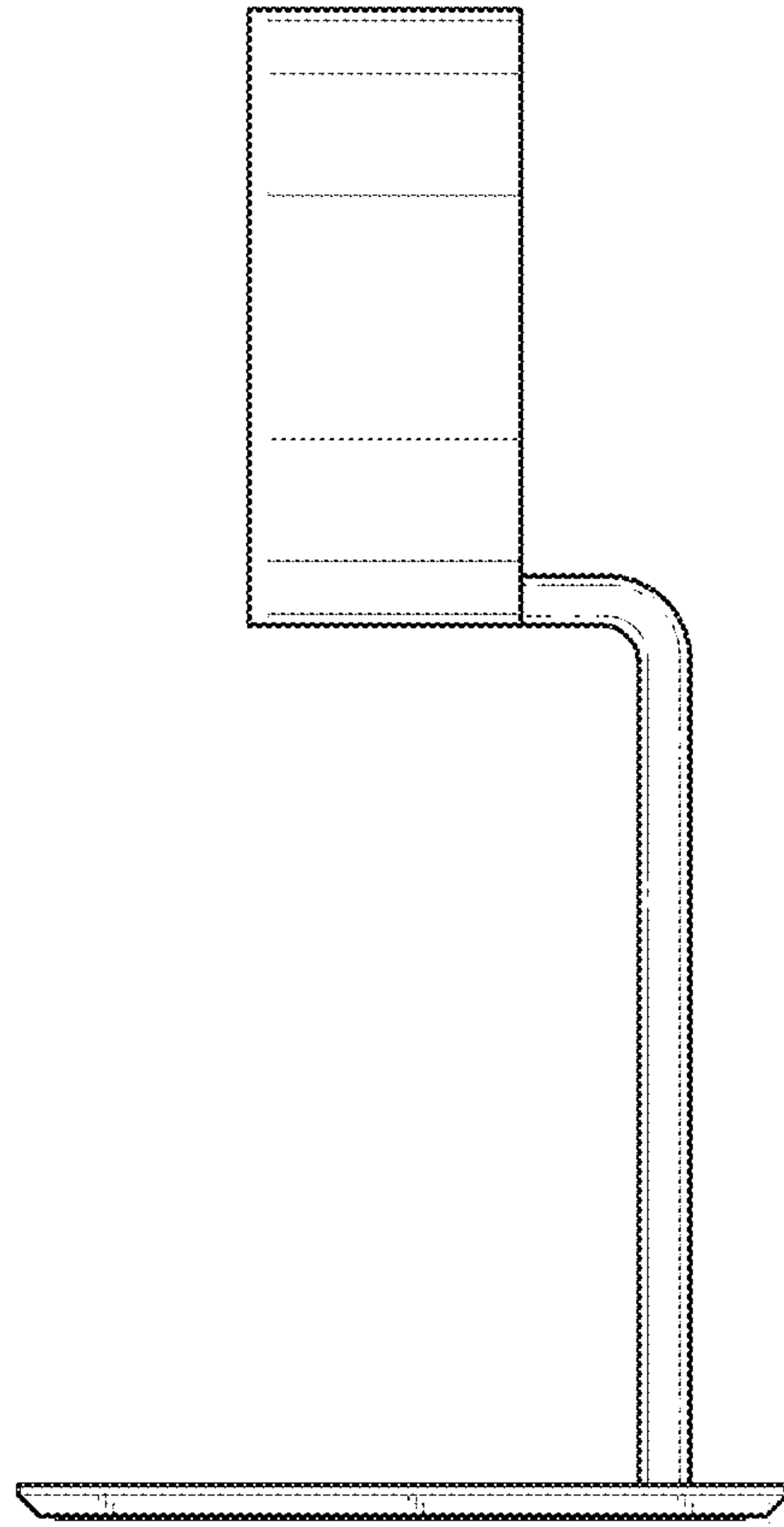


FIG. 5

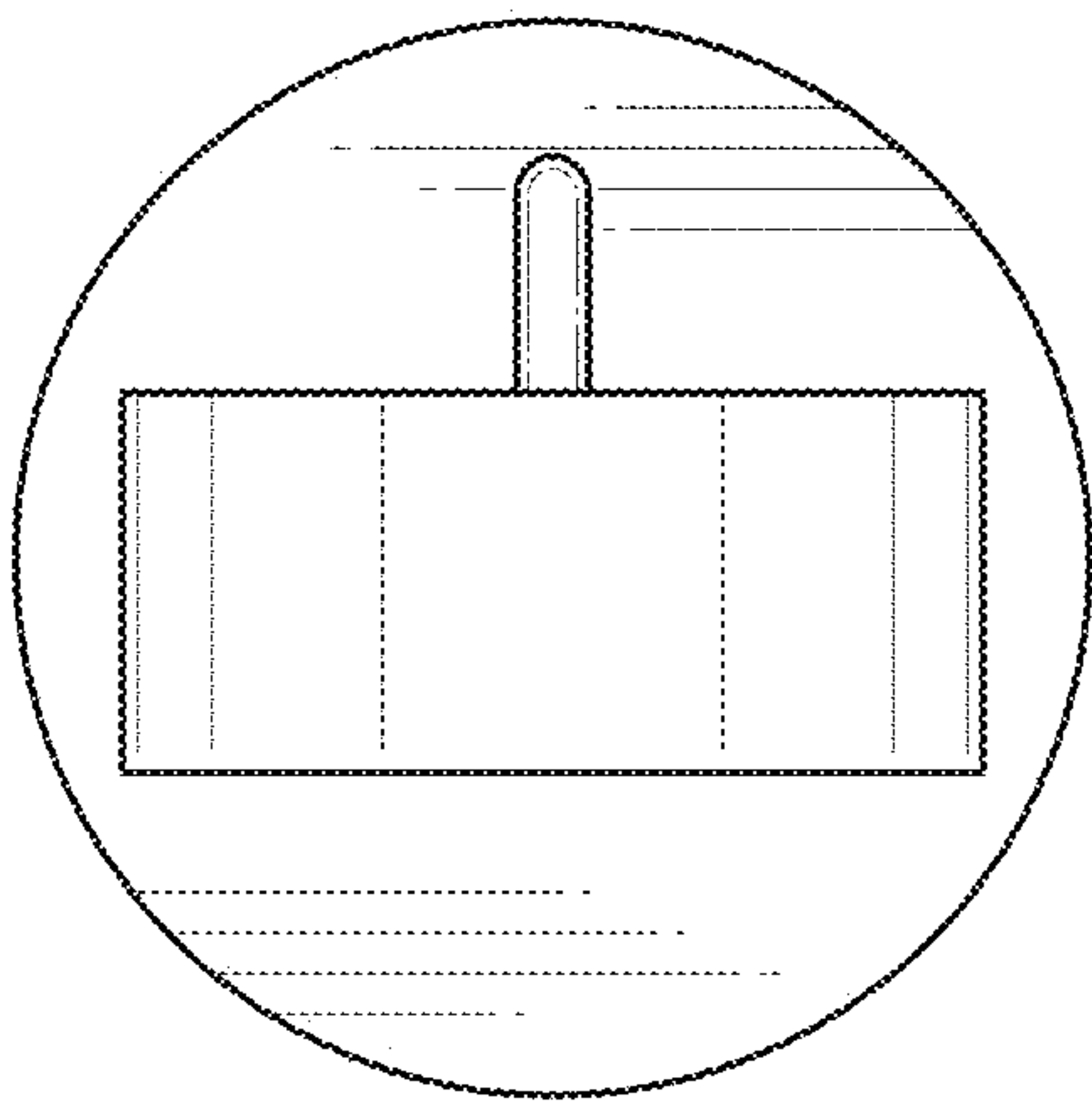


FIG. 6

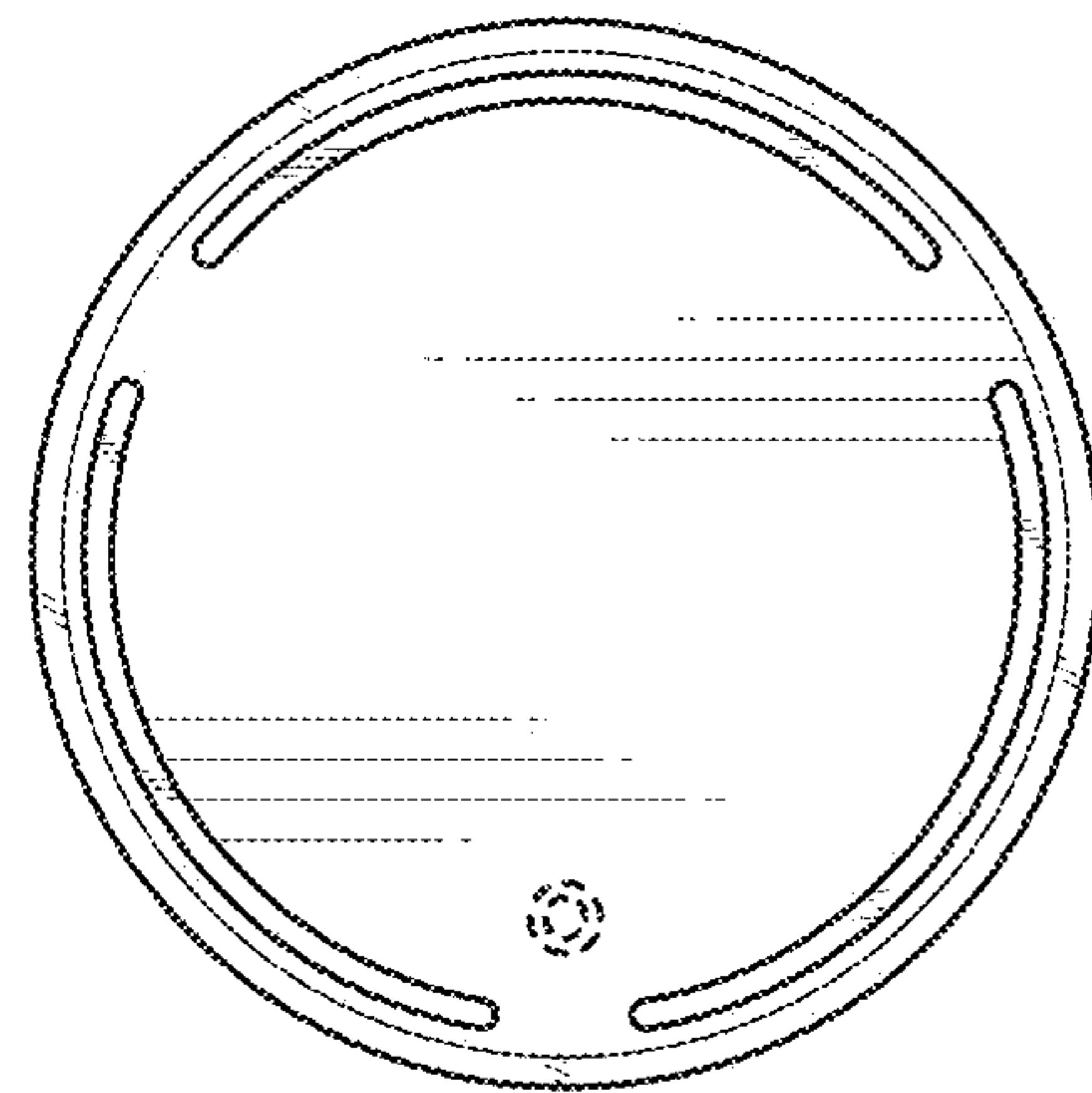


FIG. 7

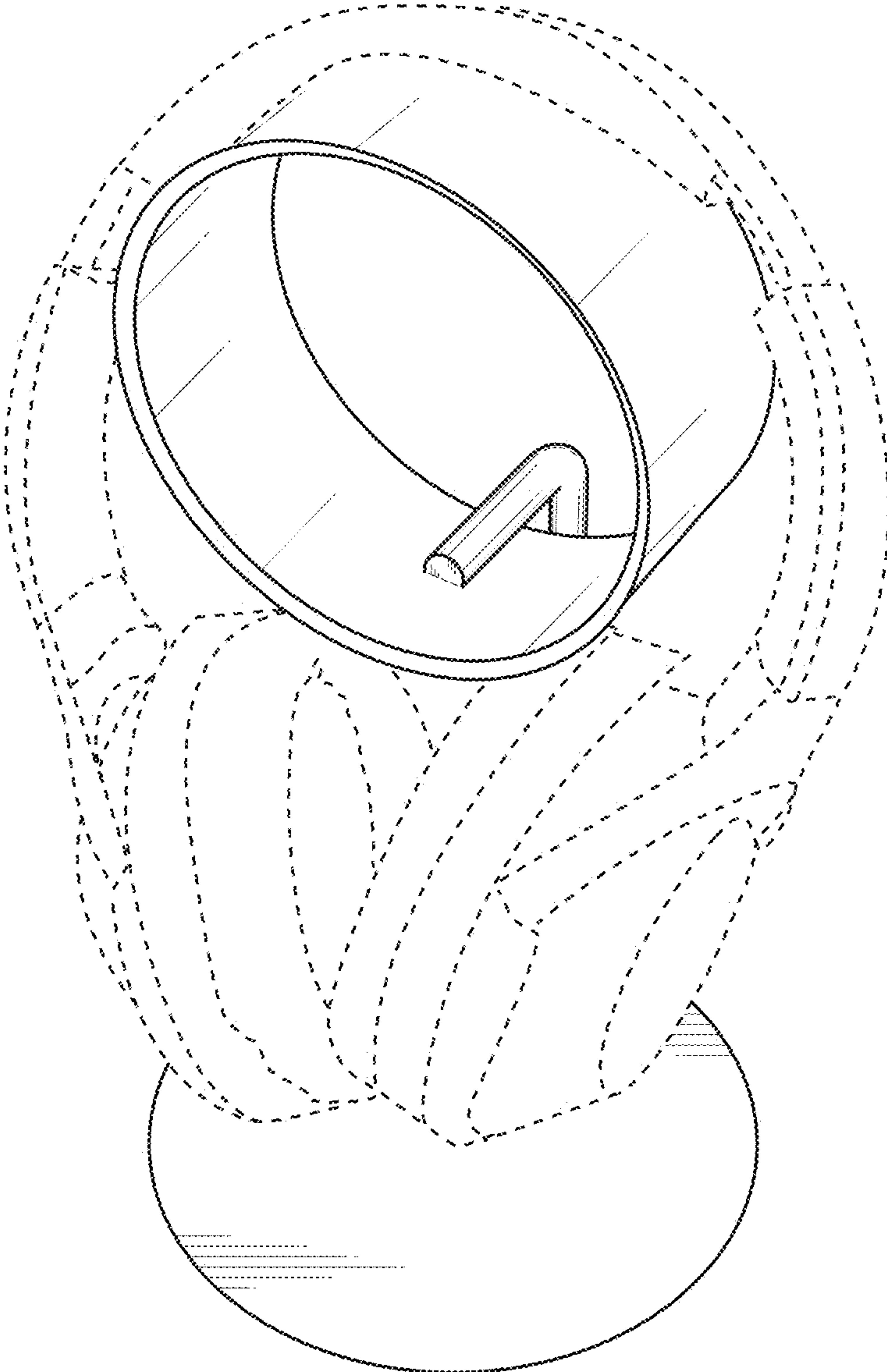


FIG. 8