



US00D892771S

(12) **United States Design Patent**
Zhao et al.

(10) **Patent No.:** **US D892,771 S**

(45) **Date of Patent:** **** Aug. 11, 2020**

(54) **EARMUFF FOR AN IN-EAR HEADPHONE**

(71) Applicant: **HUAWEI TECHNOLOGIES CO., LTD.**, Shenzhen (CN)

(72) Inventors: **Zhifeng Zhao**, Shenzhen (CN); **En Pan**, Shenzhen (CN); **Xianchun Zhang**, Shenzhen (CN); **Shiyang Hong**, Shenzhen (CN)

(73) Assignee: **HUAWEI TECHNOLOGIES CO., LTD.**, Shenzhen (CN)

(**) Term: **15 Years**

(21) Appl. No.: **29/696,187**

(22) Filed: **Jun. 26, 2019**

(30) **Foreign Application Priority Data**

Dec. 27, 2018 (CN) 2018 3 0761451

(51) **LOC (12) Cl.** **14-01**

(52) **U.S. Cl.**
USPC **D14/223**; D14/205

(58) **Field of Classification Search**
USPC D14/223, 205, 206; D24/174; 128/864, 128/865, 866; 181/129, 130, 135; 379/430, 431; 381/380, 381, 322-324, 381/330; 455/90.3, 575, 1, 569.1
CPC H04R 1/10; H04R 25/00; H04R 1/1016; H04R 1/1066; H04R 5/033; H04R 5/0335; H04R 1/1091; H04R 1/1058; H04R 1/105; H04R 1/1083
See application file for complete search history.

(56) **References Cited**

U.S. PATENT DOCUMENTS

D514,094 S * 1/2006 Griffin D14/223
D610,129 S * 2/2010 Densho D14/223

D617,316 S * 6/2010 Elabidi D14/223
D618,209 S * 6/2010 Andre D14/205
D618,210 S * 6/2010 Andre D14/205
D619,566 S * 7/2010 Yu D14/223
D624,901 S * 10/2010 Blanchard D14/205
D637,180 S * 5/2011 Shimizu D14/223
D676,426 S * 2/2013 Komiyama D14/223
D698,023 S * 1/2014 Iseberg D24/174
D698,762 S * 2/2014 Zheng D14/223
D742,362 S * 11/2015 Bonahoom D14/205
D786,221 S * 5/2017 Stoch D14/223

* cited by examiner

Primary Examiner — Katie Jane Stofko

(74) *Attorney, Agent, or Firm* — Kilpatrick Townsend & Stockton LLP

(57) **CLAIM**

The ornamental design of an earmuff for an in-ear headphone, as shown and described.

DESCRIPTION

FIG. 1 is a front view of an earmuff for an in-ear headphone, showing our new design;

FIG. 2 is a back view of the design thereof;

FIG. 3 is a top view of the design thereof;

FIG. 4 is a bottom view of the design thereof;

FIG. 5 is a left view of the design thereof;

FIG. 6 is a right view of the design thereof;

FIG. 7 is a front perspective view of the design thereof;

FIG. 8 is another front perspective view of the design thereof;

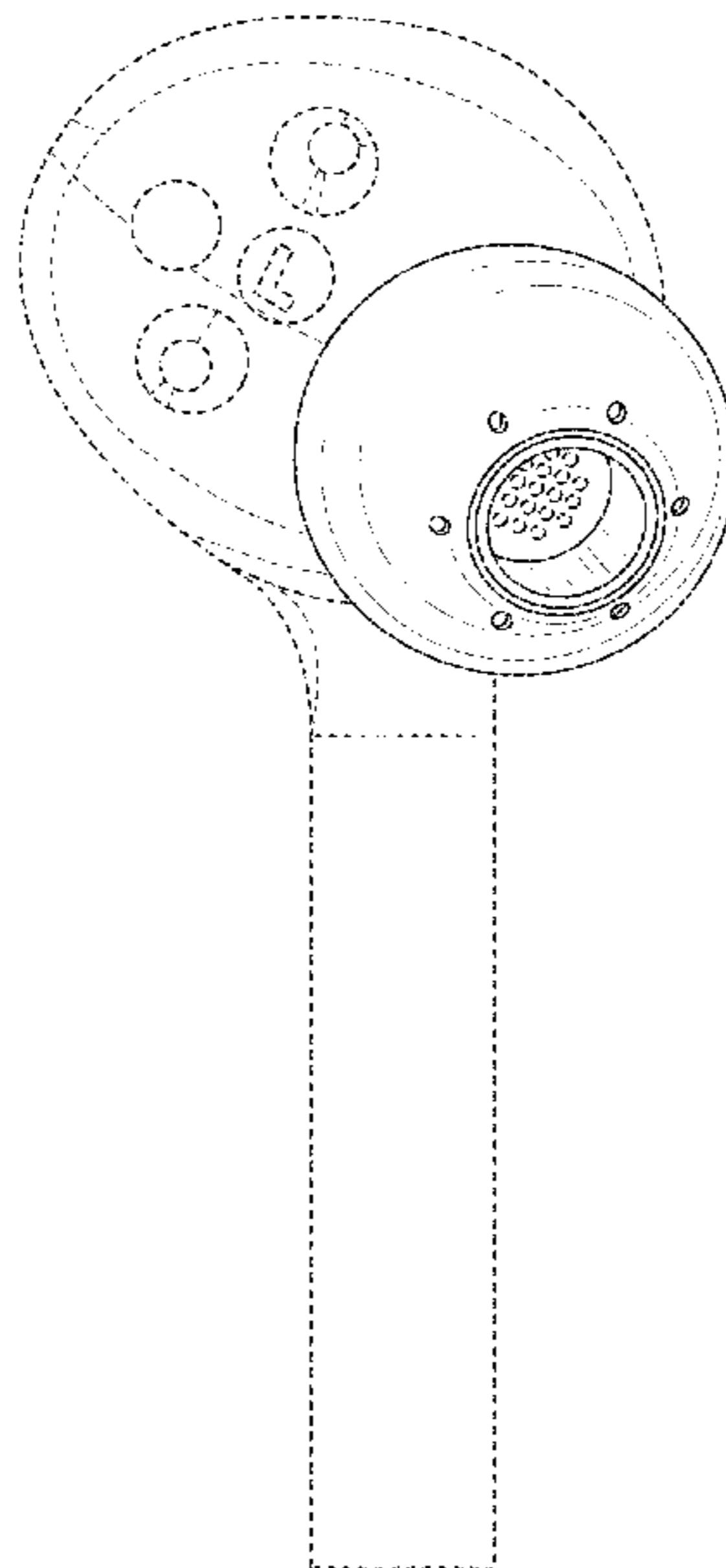
FIG. 9 is a back perspective view of the design thereof; and,

FIG. 10 is a front perspective view of the design thereof, shown in an environment of use.

The claimed design includes only the earmuff and does not include the headphone assembly of FIG. 10.

The broken lines form no part of the claimed design.

1 Claim, 10 Drawing Sheets



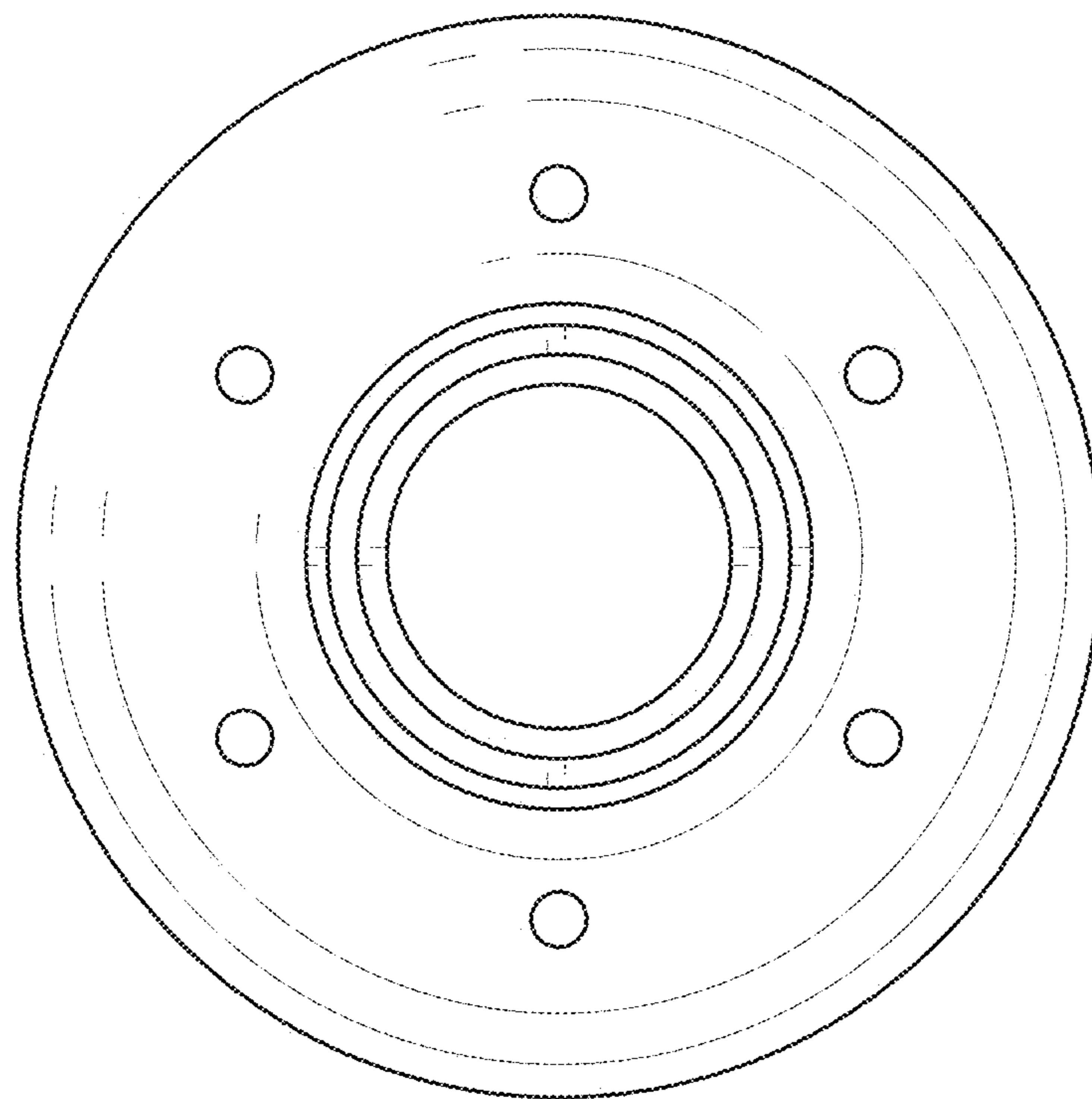


FIG. 1

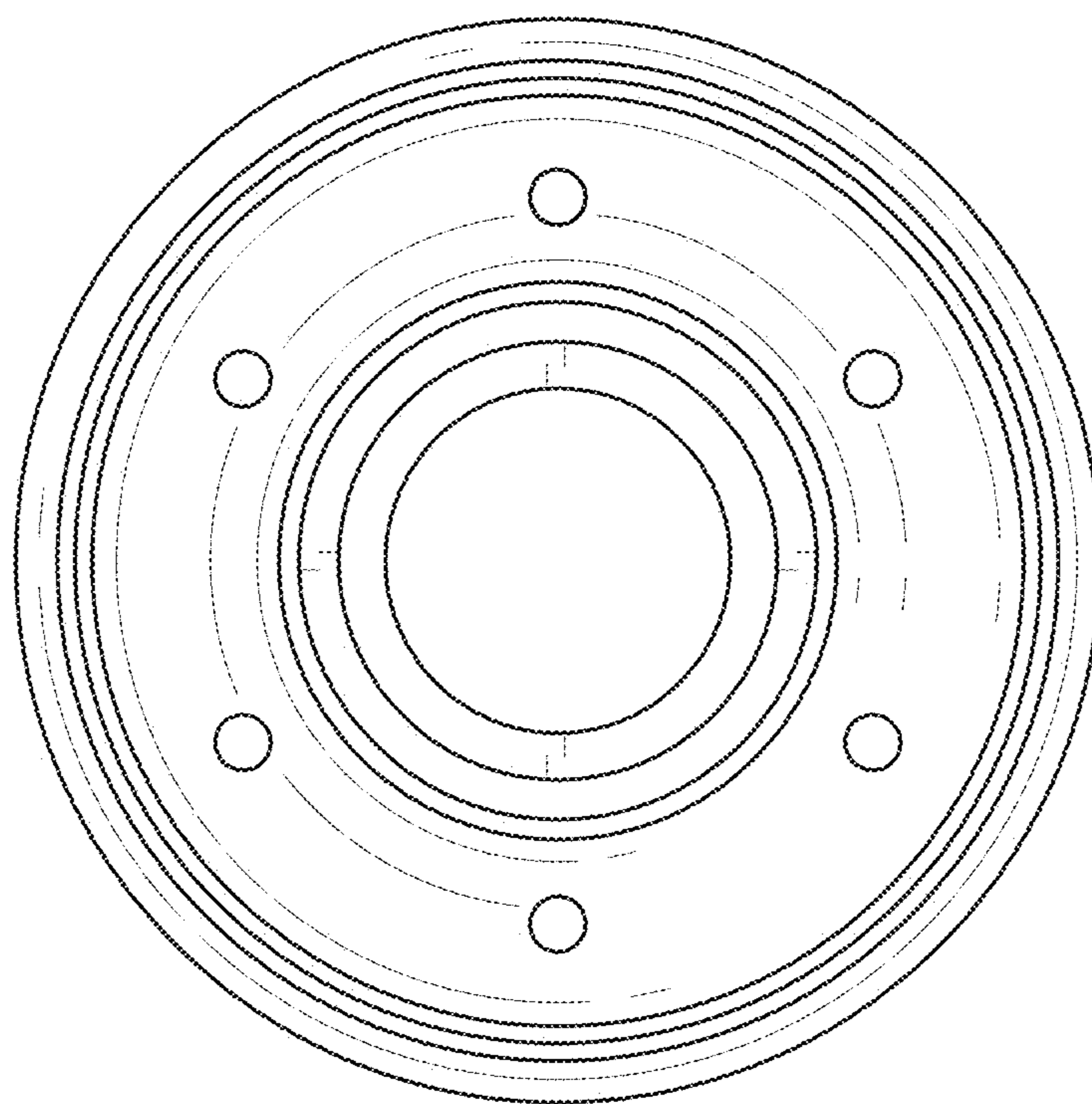


FIG. 2

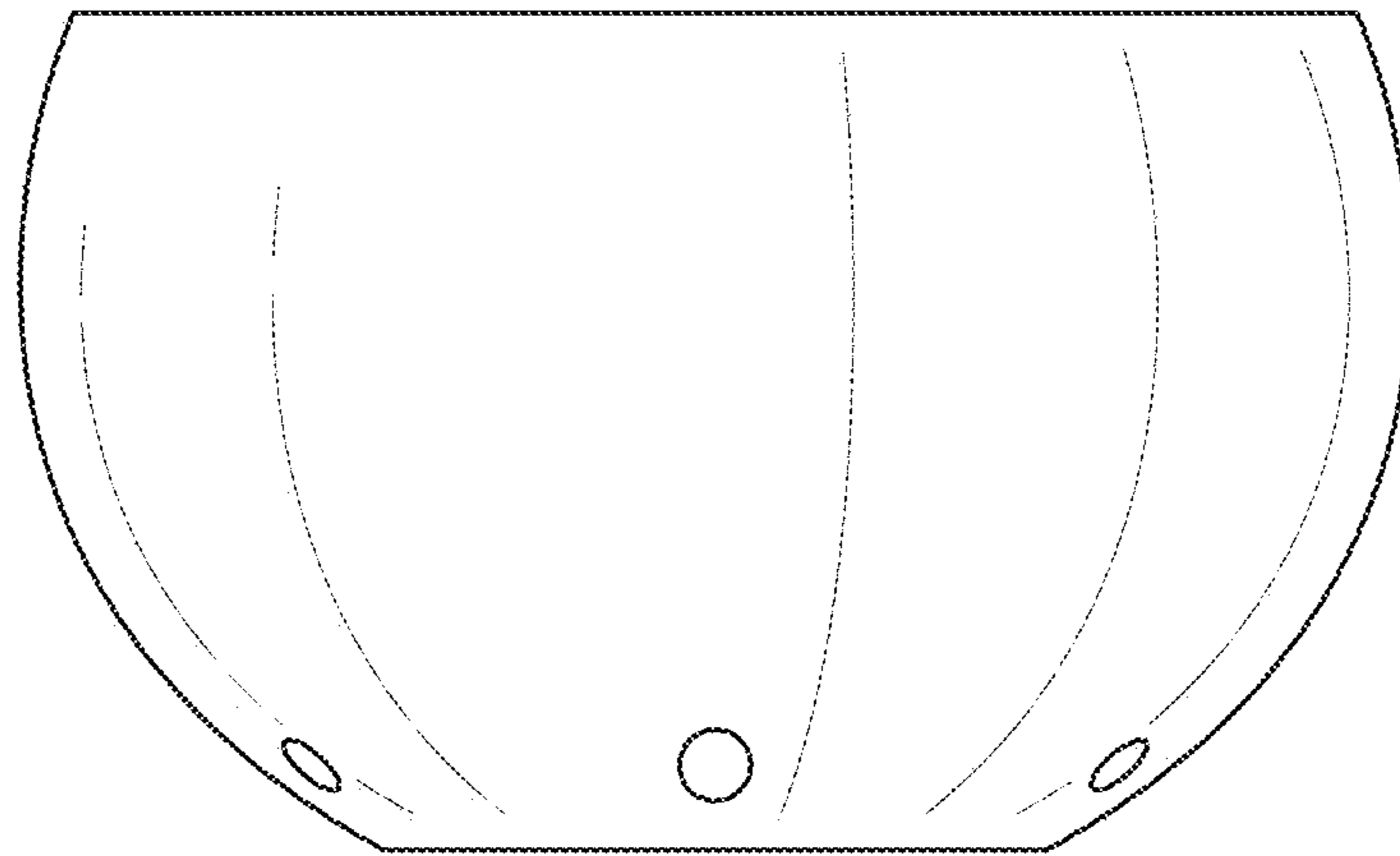


FIG. 3

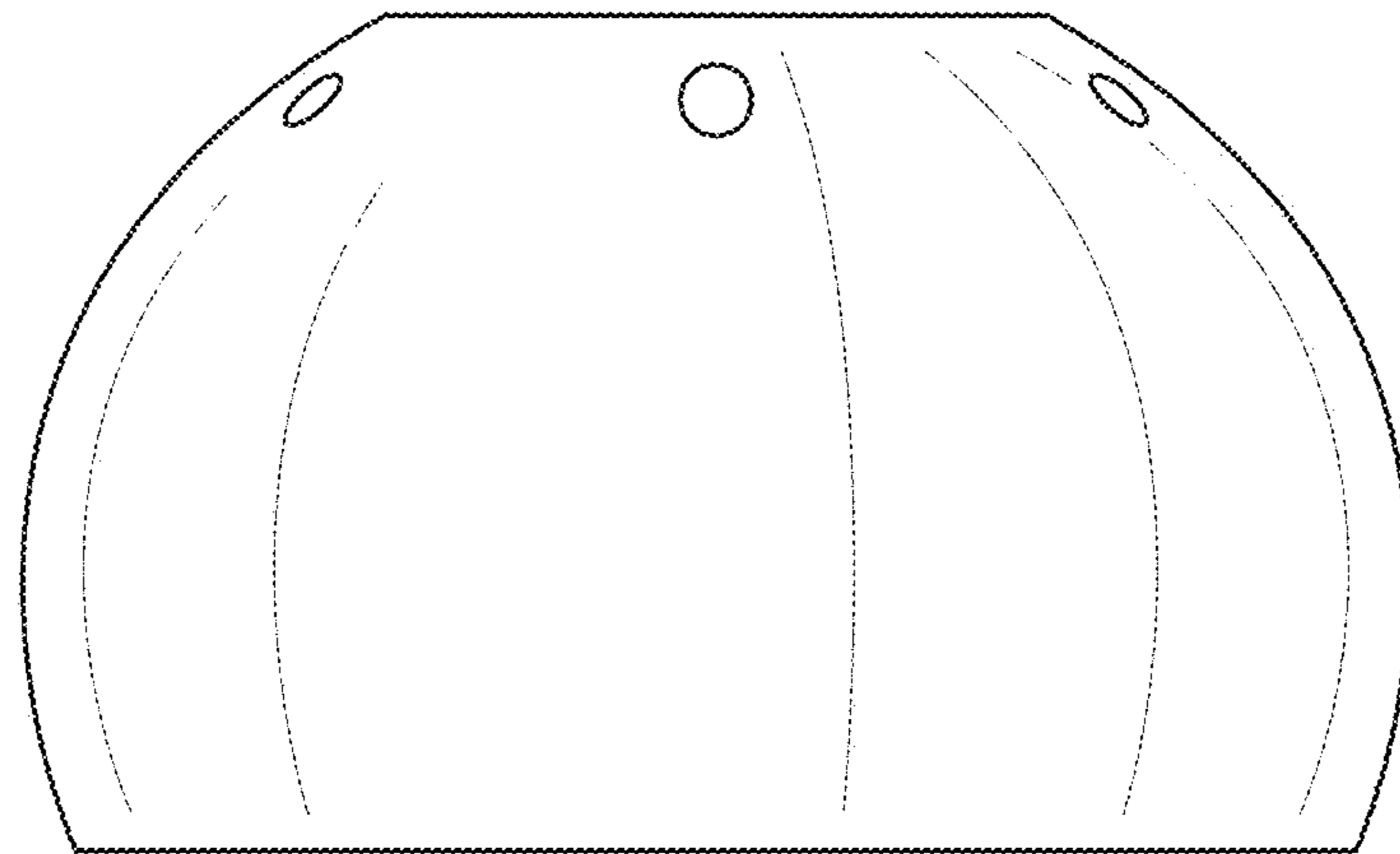


FIG. 4

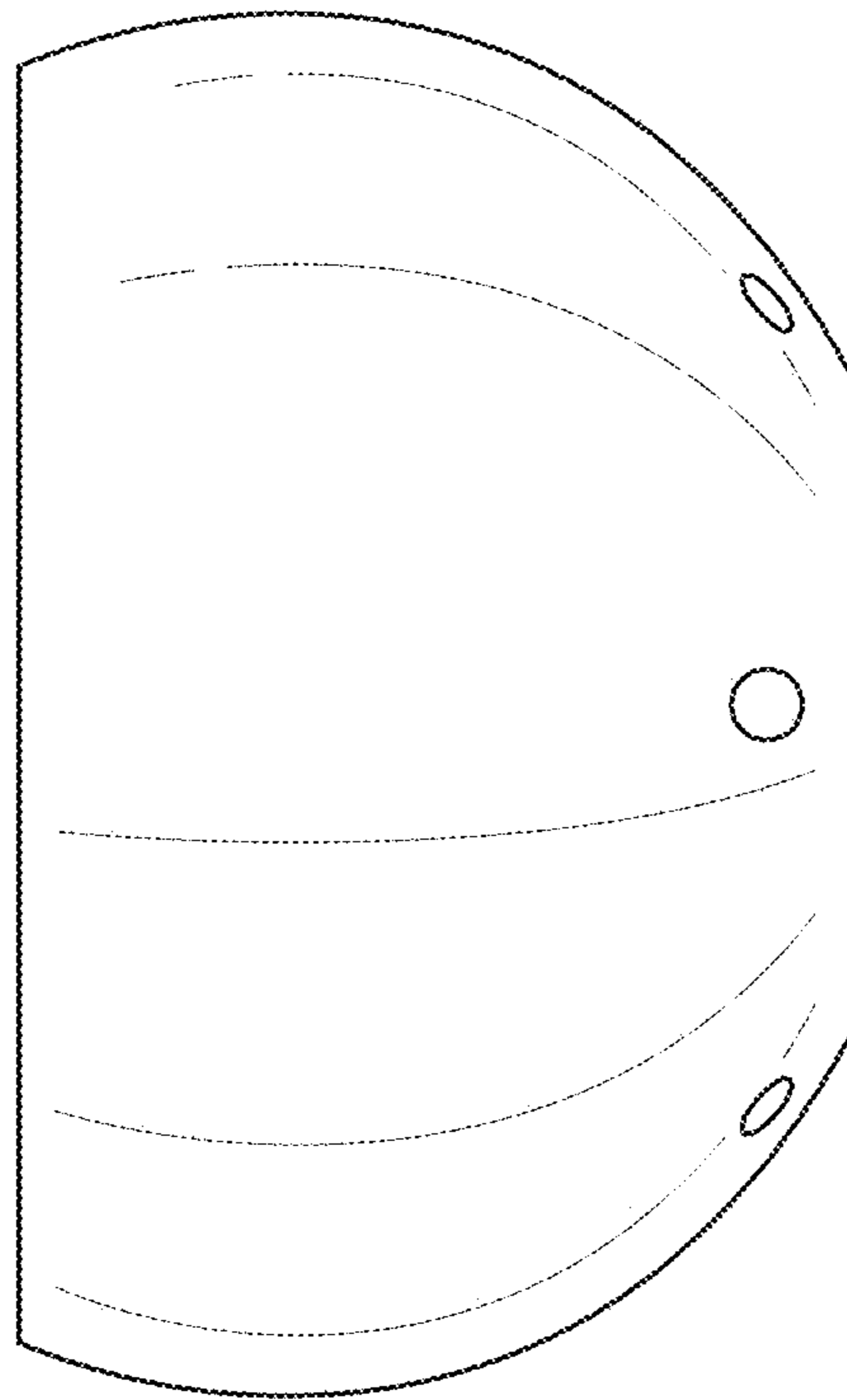


FIG. 5

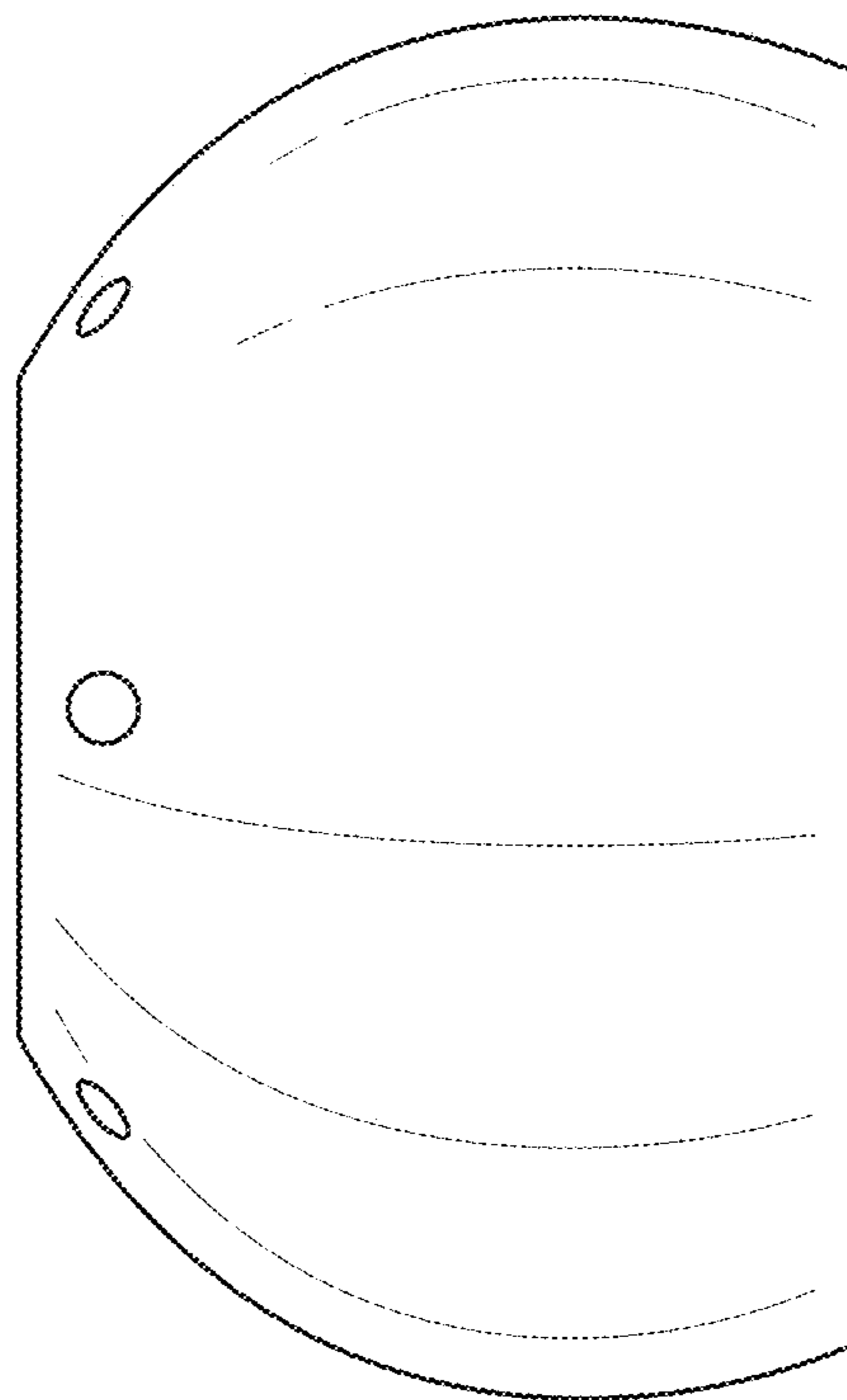


FIG. 6

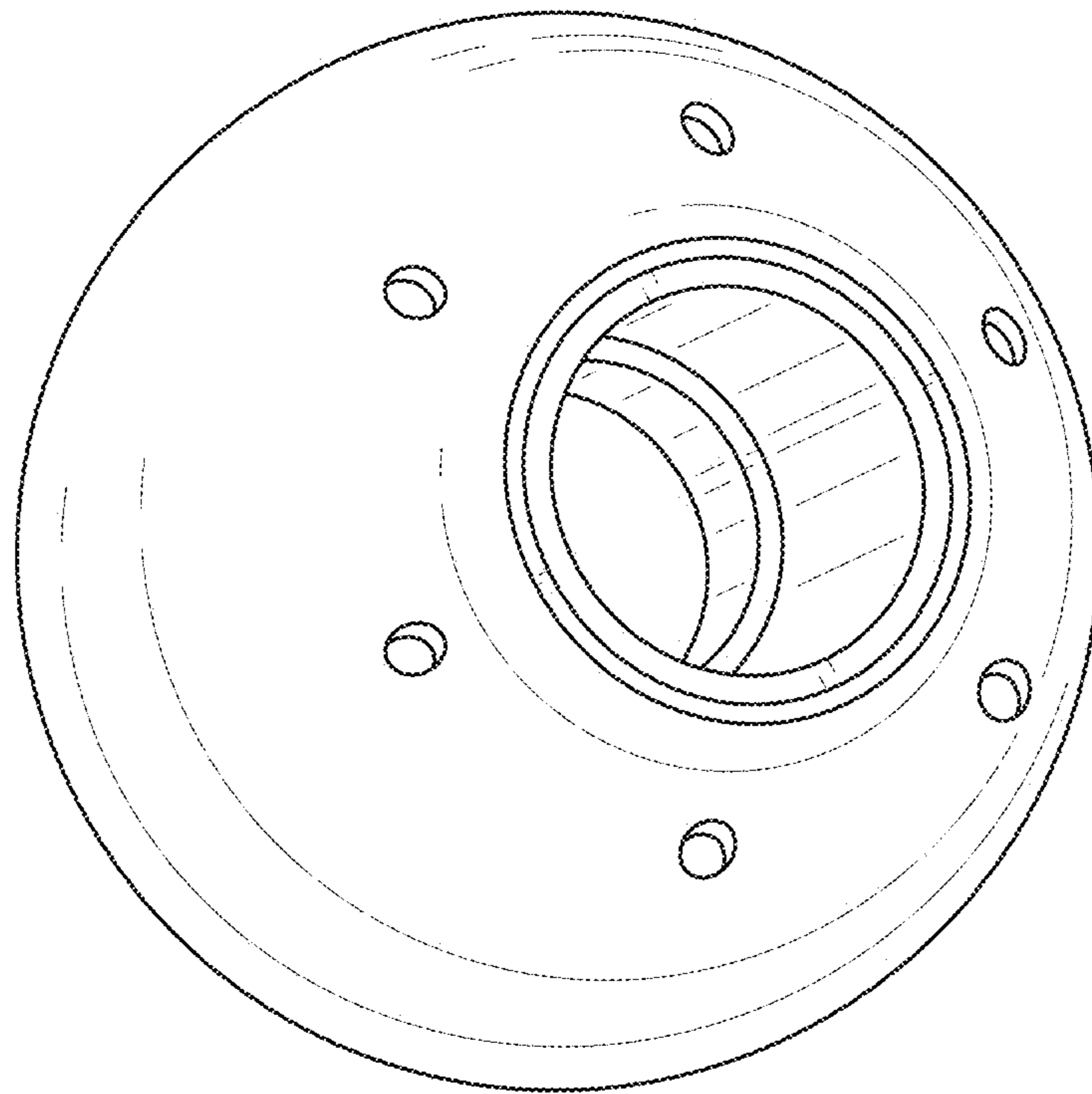


FIG. 7

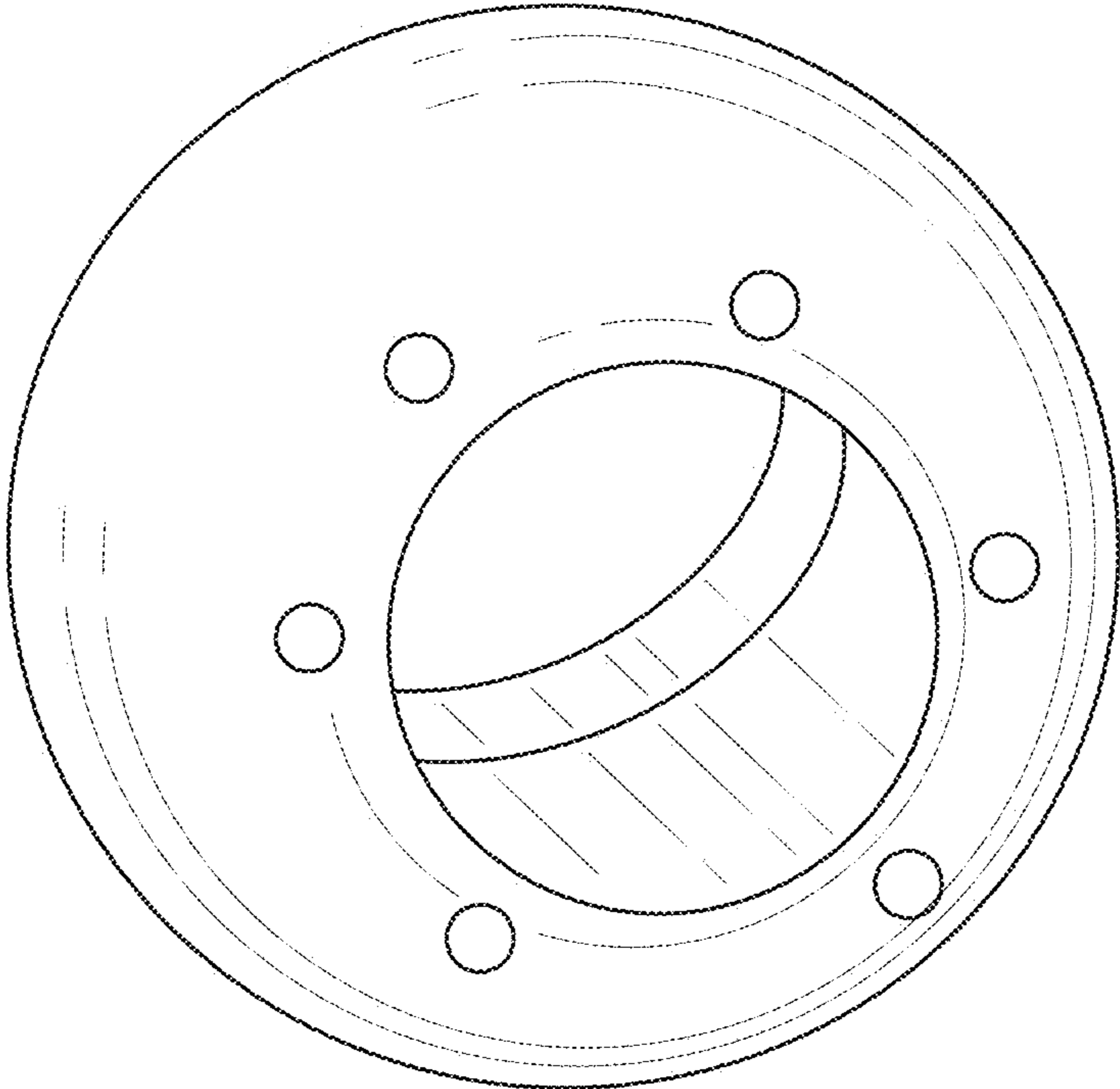


FIG. 8

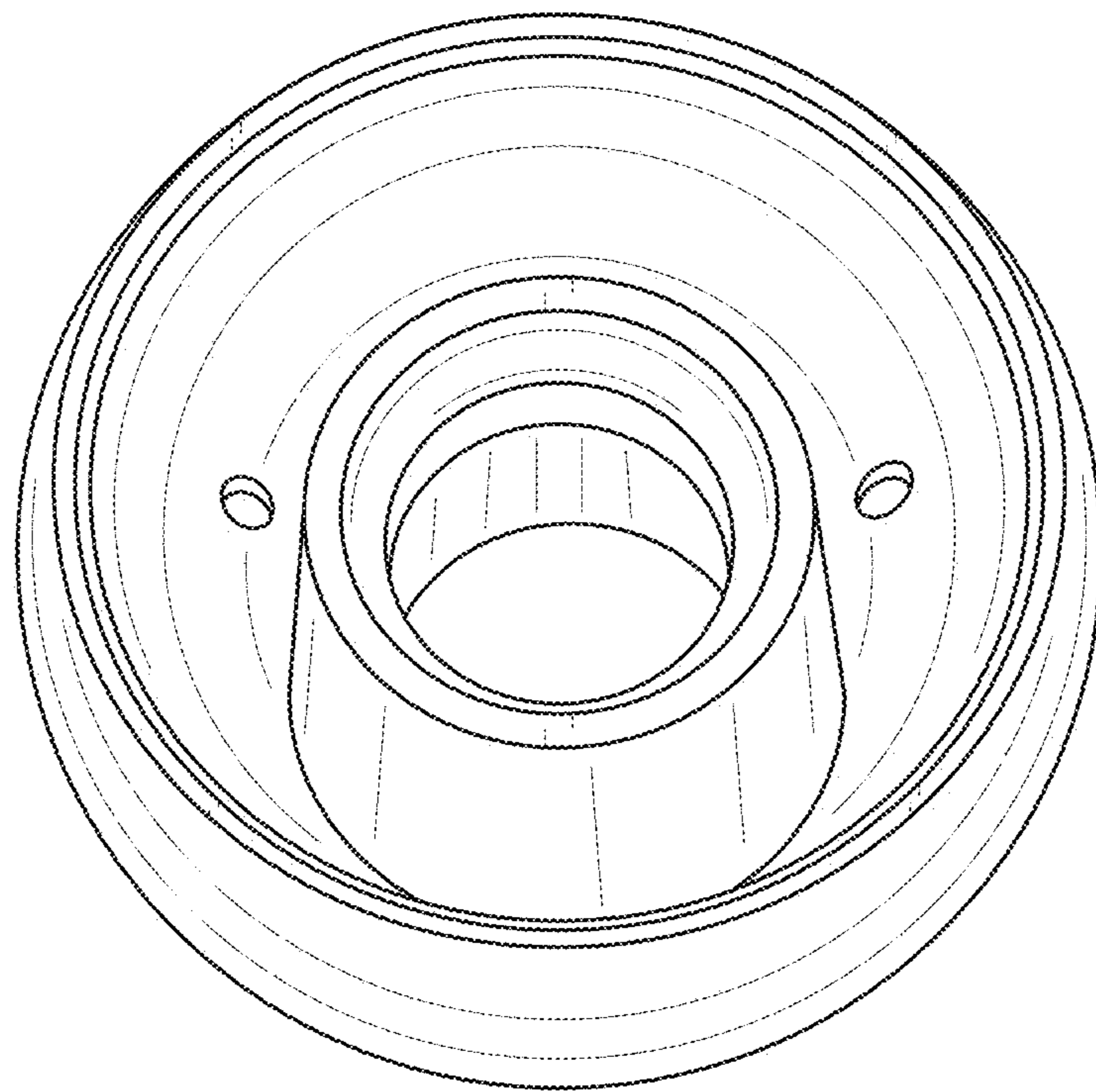


FIG. 9

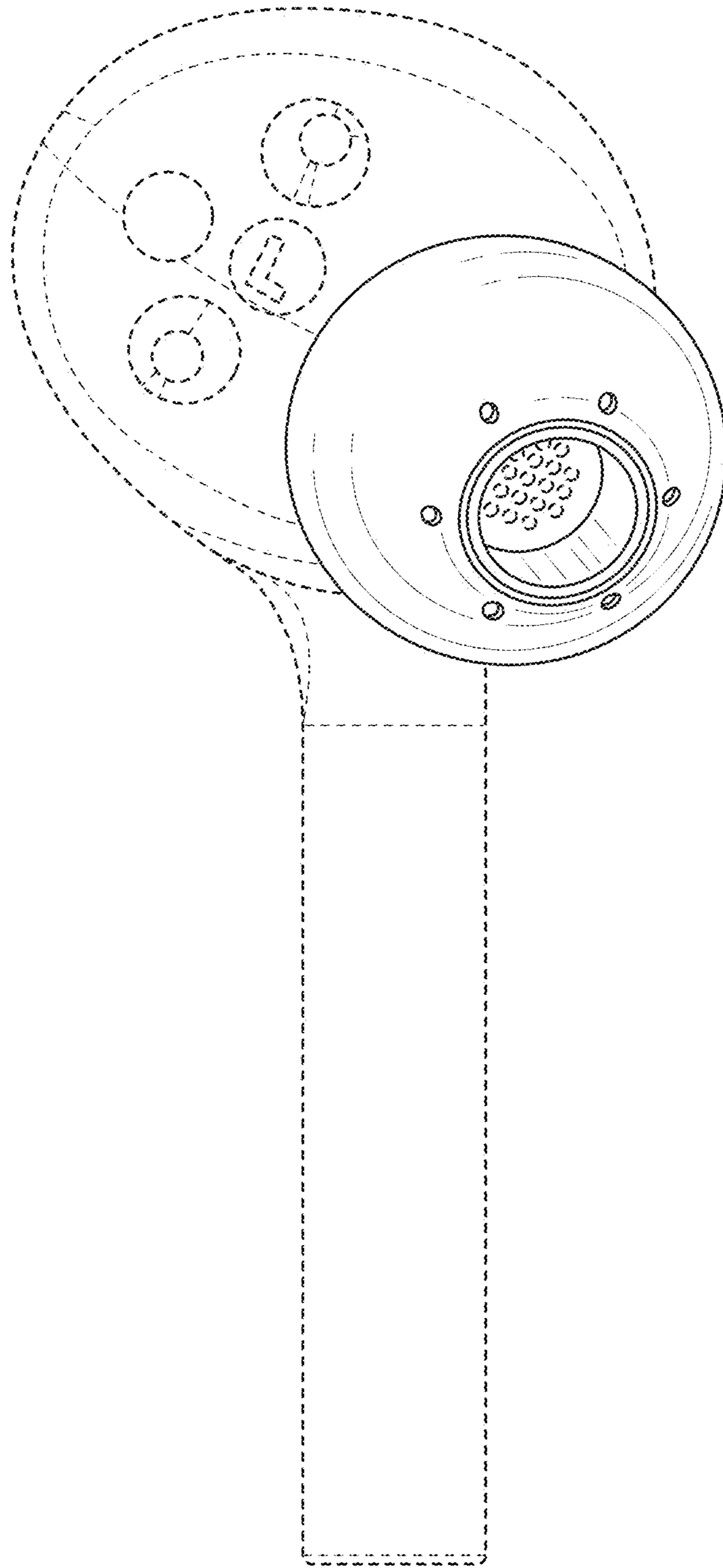


FIG. 10