



US00D892770S

(12) **United States Design Patent**
Gao

(10) **Patent No.:** **US D892,770 S**

(45) **Date of Patent:** **** Aug. 11, 2020**

(54) **RECHARGEABLE BLUETOOTH EARBUD**

(71) Applicant: **Feng Gao**, Changde (CN)

(72) Inventor: **Feng Gao**, Changde (CN)

(**) Term: **15 Years**

(21) Appl. No.: **29/691,401**

(22) Filed: **May 16, 2019**

(30) **Foreign Application Priority Data**

Dec. 3, 2018 (CN) 2018 3 0693623

(51) **LOC (12) Cl.** **14-01**

(52) **U.S. Cl.**

USPC **D14/223**

(58) **Field of Classification Search**

USPC D14/223, 205, 206; D24/174; 128/864,
128/865, 866; 181/129, 130, 135;
379/430, 431; 381/380, 381, 322-324,
381/330; 455/90.3, 575, 1, 569.1

CPC H04R 1/10; H04R 25/00; H04R 1/1016;
H04R 1/1066; H04R 5/033; H04R
5/0335; H04R 1/1091; H04R 1/1058;
H04R 1/105; H04R 1/1083

See application file for complete search history.

(56) **References Cited**

U.S. PATENT DOCUMENTS

D589,493 S * 3/2009 Densho D14/206
D605,182 S * 12/2009 Fagnot D14/223
D621,389 S * 8/2010 Nagayama D14/223
D623,630 S * 9/2010 Ohori D14/223
D695,724 S * 12/2013 Ishikura D14/223
D729,775 S * 5/2015 Seo D14/205
D784,962 S * 4/2017 Yang D14/223

D804,445 S * 12/2017 Golnik D14/205
D824,359 S * 7/2018 Czaniecki D14/205
D824,875 S * 8/2018 Czaniecki D14/205
D831,619 S * 10/2018 Matoba D14/223
D869,431 S * 12/2019 Czaniecki D14/205
D870,707 S * 12/2019 Yang D14/223

* cited by examiner

Primary Examiner — Katie Jane Stofko

(57) **CLAIM**

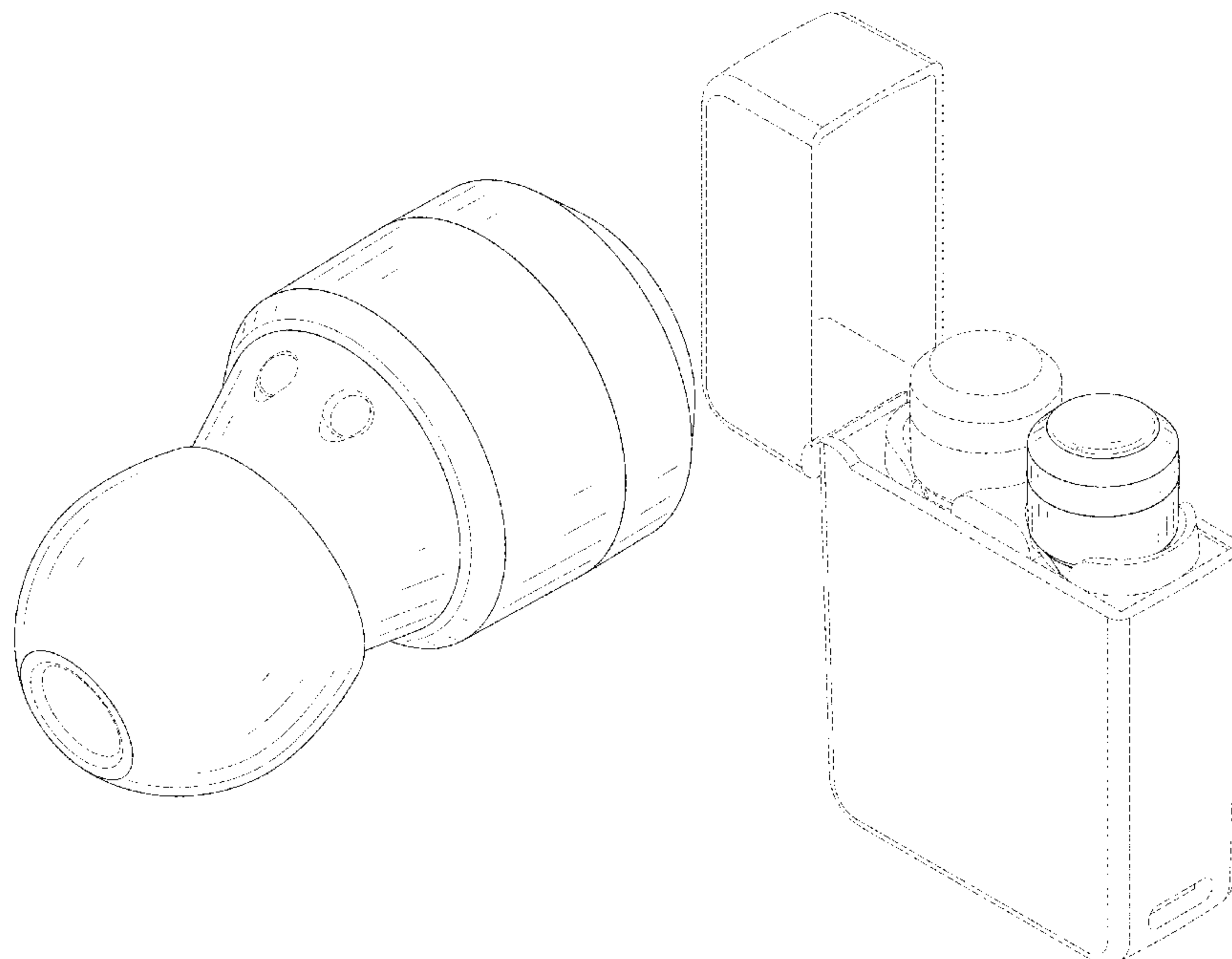
The ornamental design for a rechargeable Bluetooth earbud, as shown and described.

DESCRIPTION

FIG. 1 is a perspective view of a rechargeable Bluetooth earbud showing my new design; FIG. 2 is another perspective view thereof; FIG. 3 is a front elevational view thereof; FIG. 4 is a rear elevational view thereof; FIG. 5 is a left side elevational view thereof; FIG. 6 is a right side elevational view thereof; FIG. 7 is a top plan view thereof; FIG. 8 is a bottom plan view thereof; and, FIG. 9 is a perspective view of the rechargeable Bluetooth earbud where the rechargeable Bluetooth earbud is in a configuration of use.

The broken lines shown in FIGS. 1-8 illustrate portions of the rechargeable Bluetooth earbud that form no part of the claimed design. The broken lines illustrating the case and extra rechargeable Bluetooth earbud in FIG. 9 are environment, while the remaining broken lines in FIG. 9 illustrate portions of the rechargeable Bluetooth earbud that form no part of the claimed design.

1 Claim, 9 Drawing Sheets



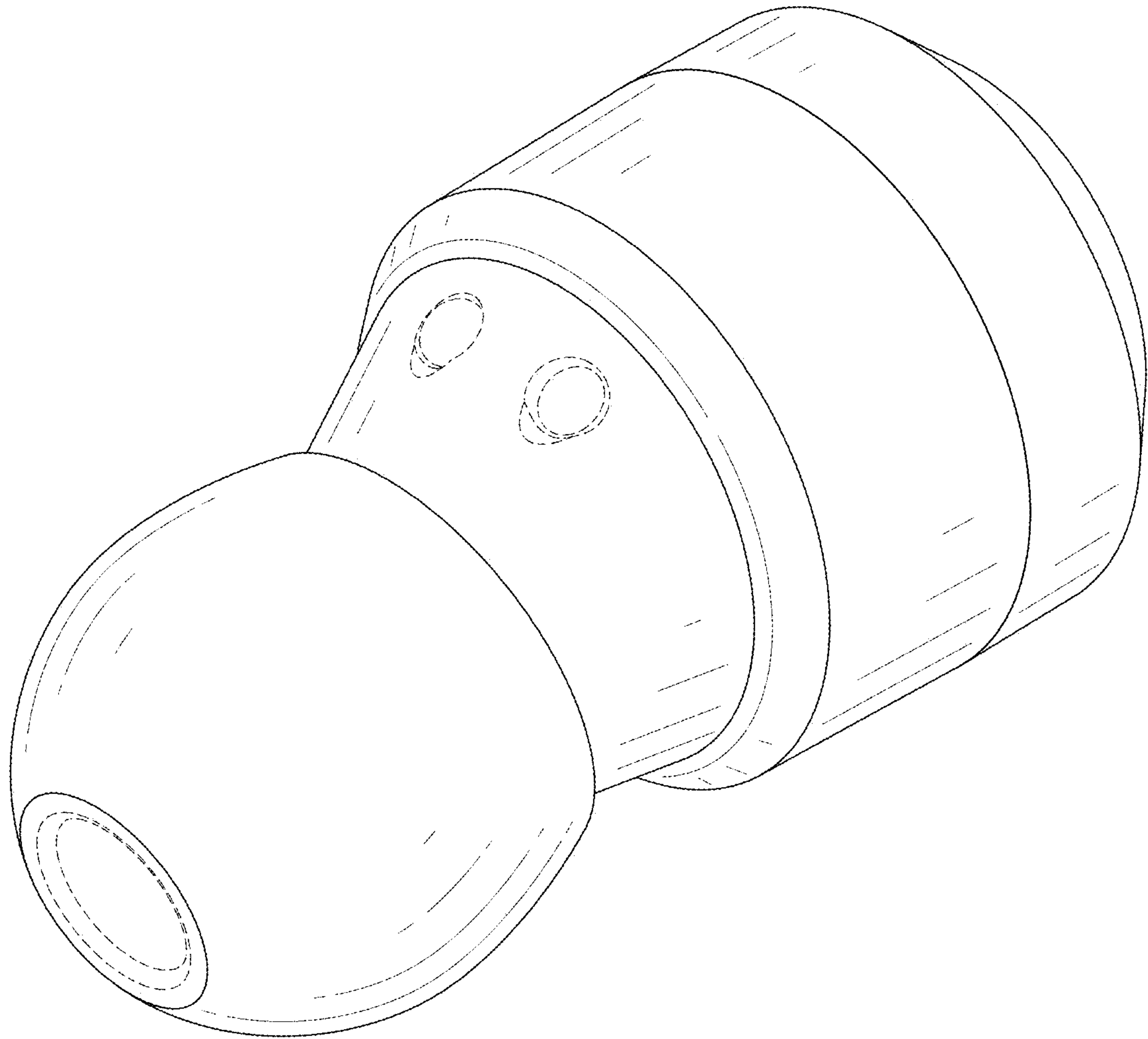


FIG. 1

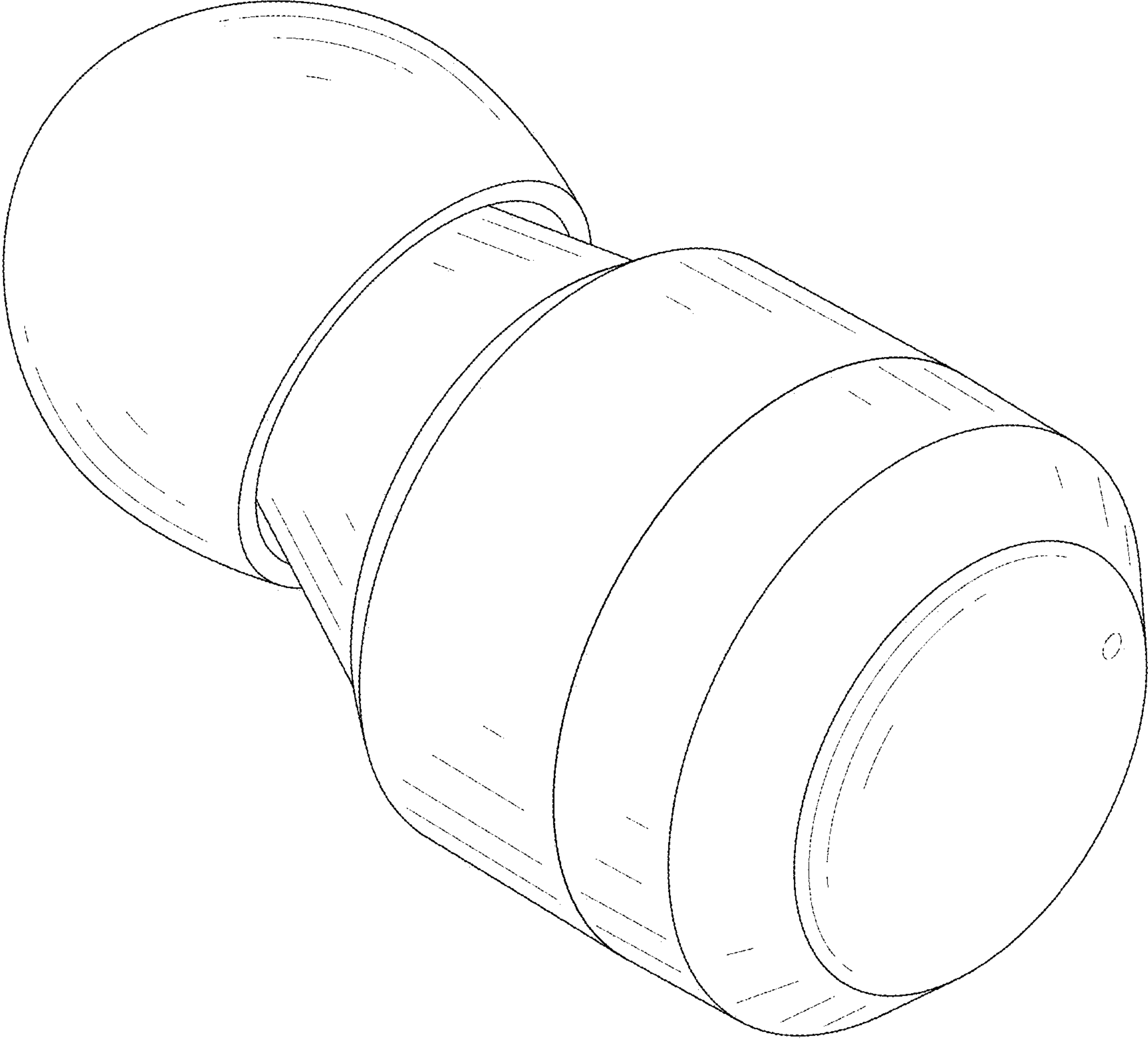


FIG. 2

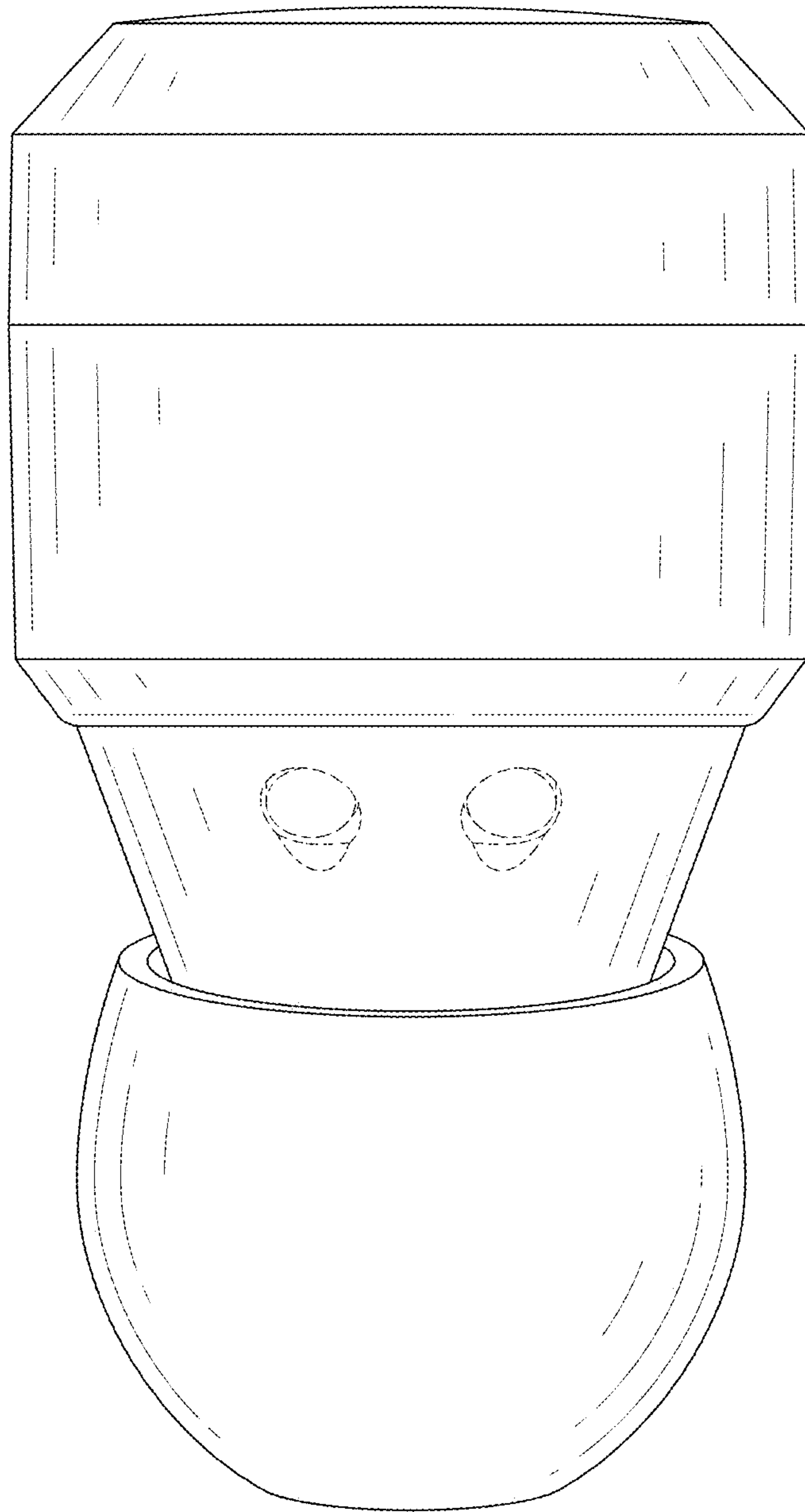


FIG. 3

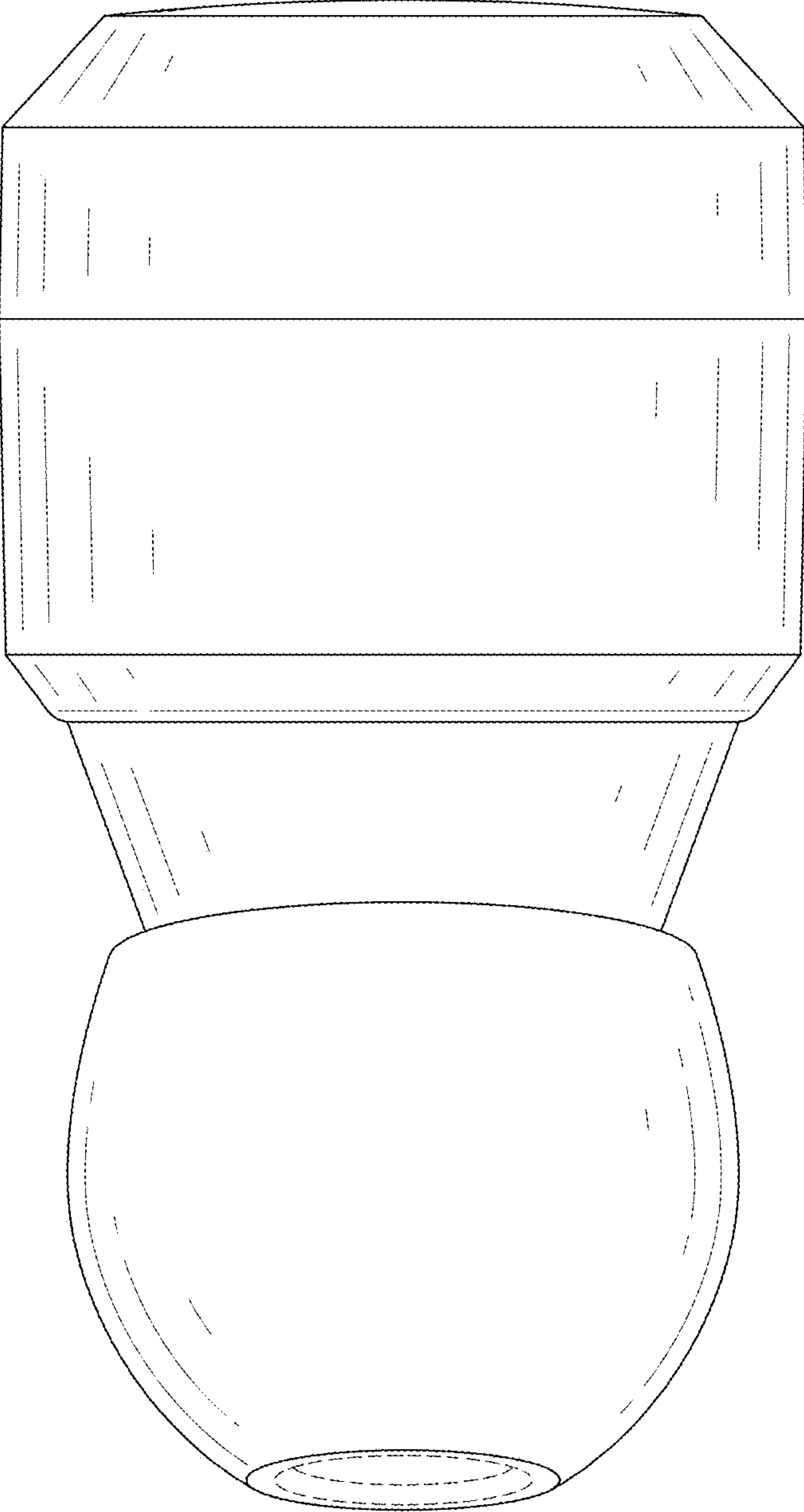


FIG. 4

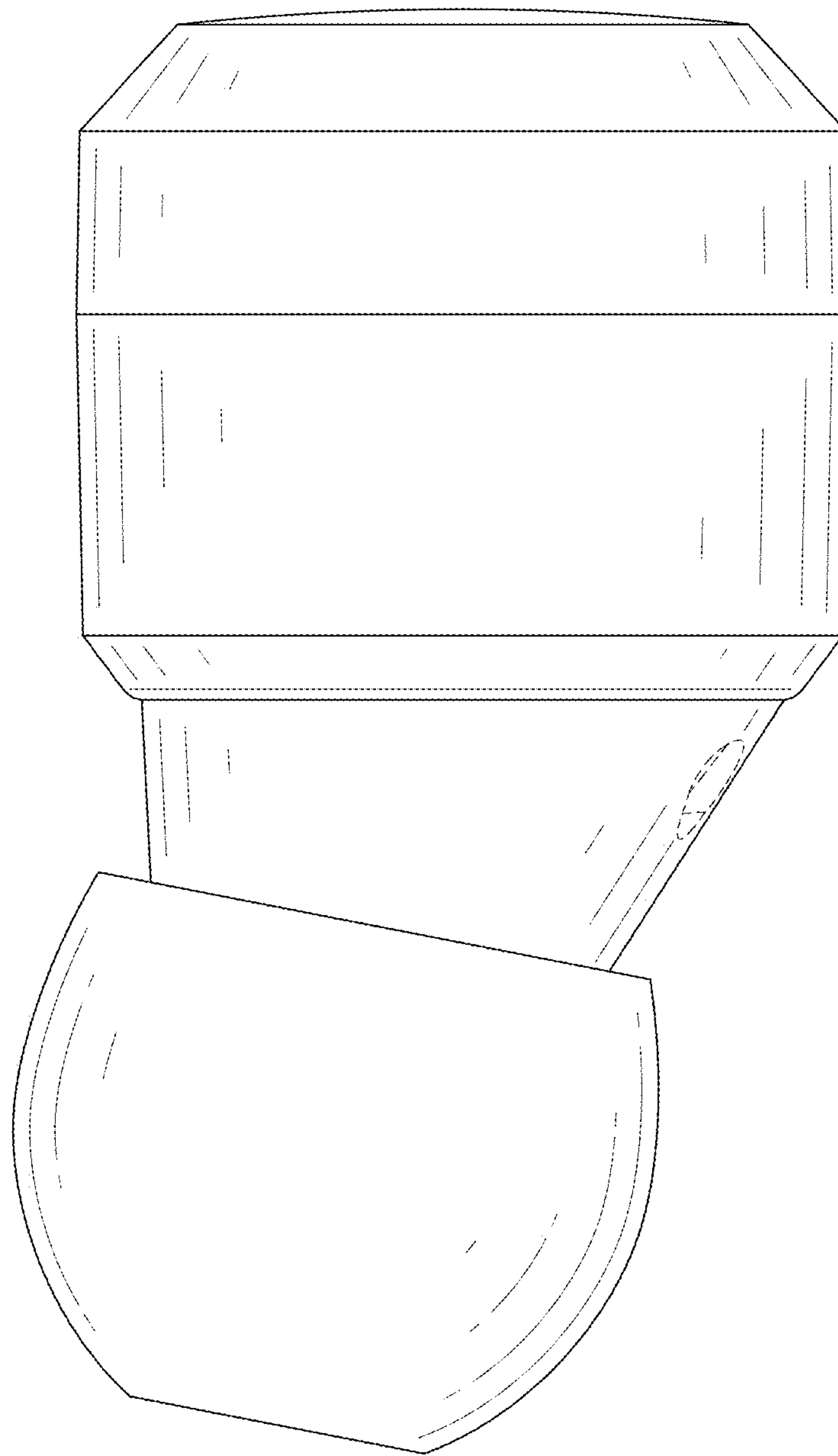


FIG. 5

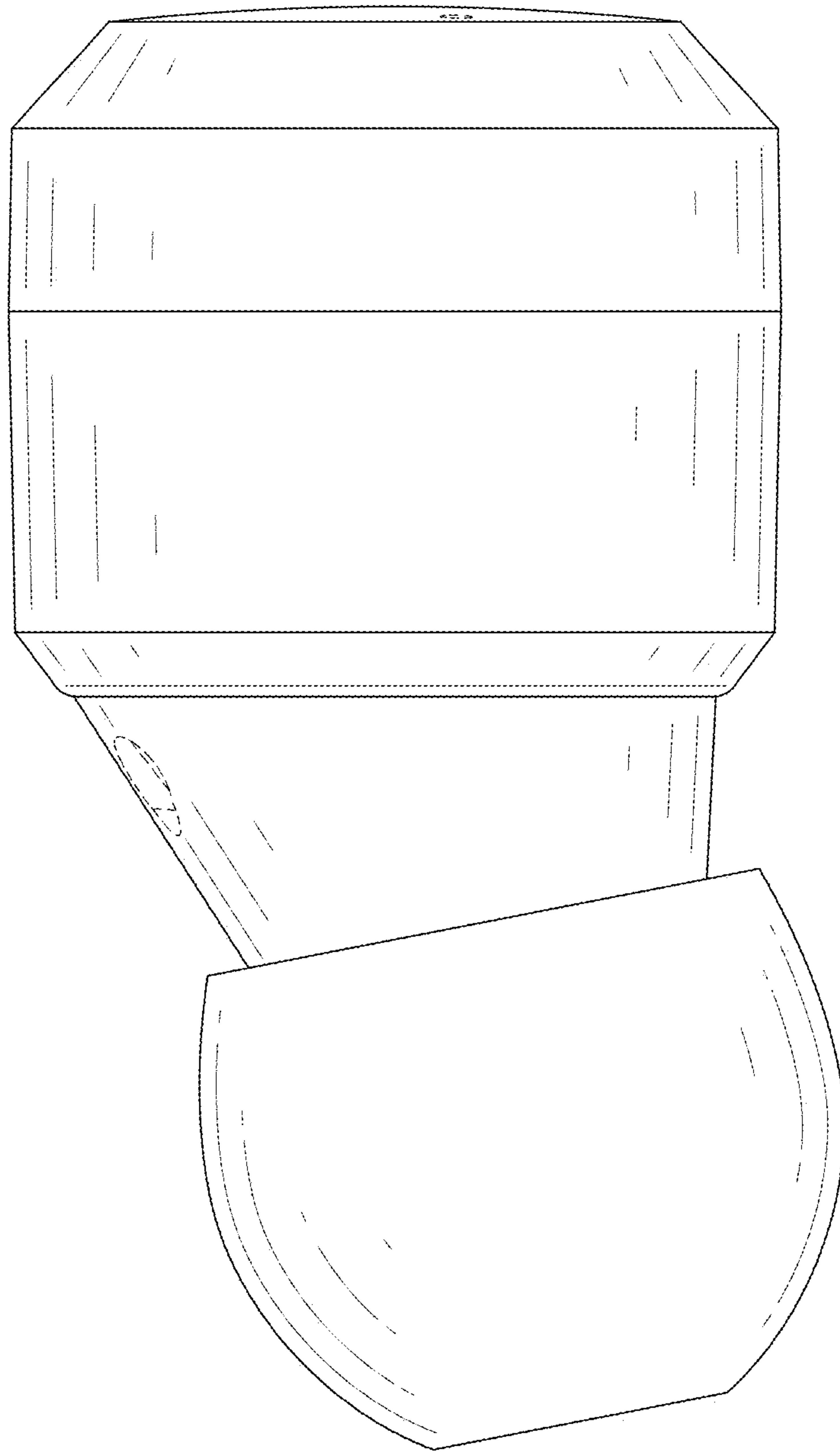


FIG. 6

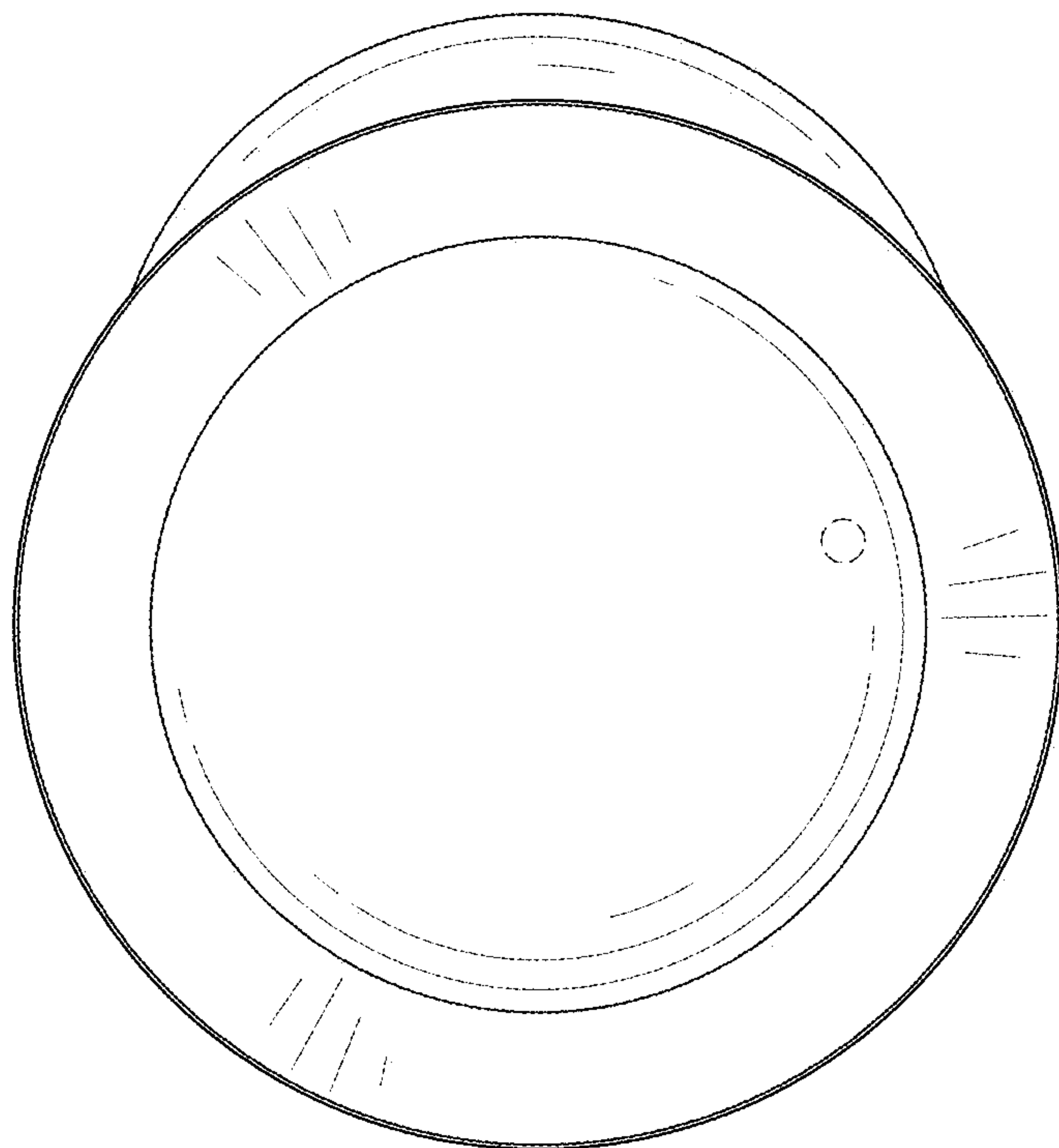


FIG. 7

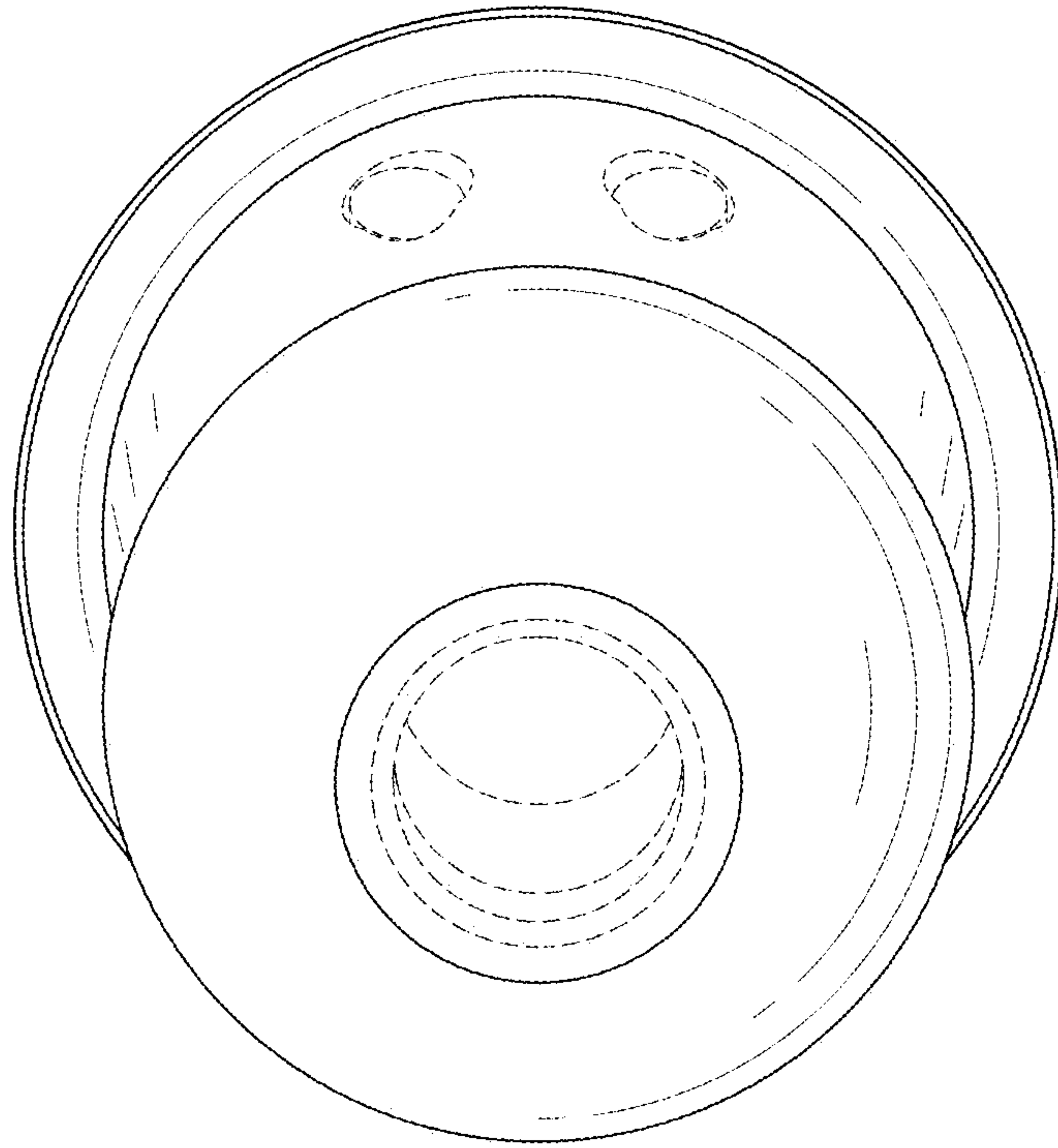


FIG. 8

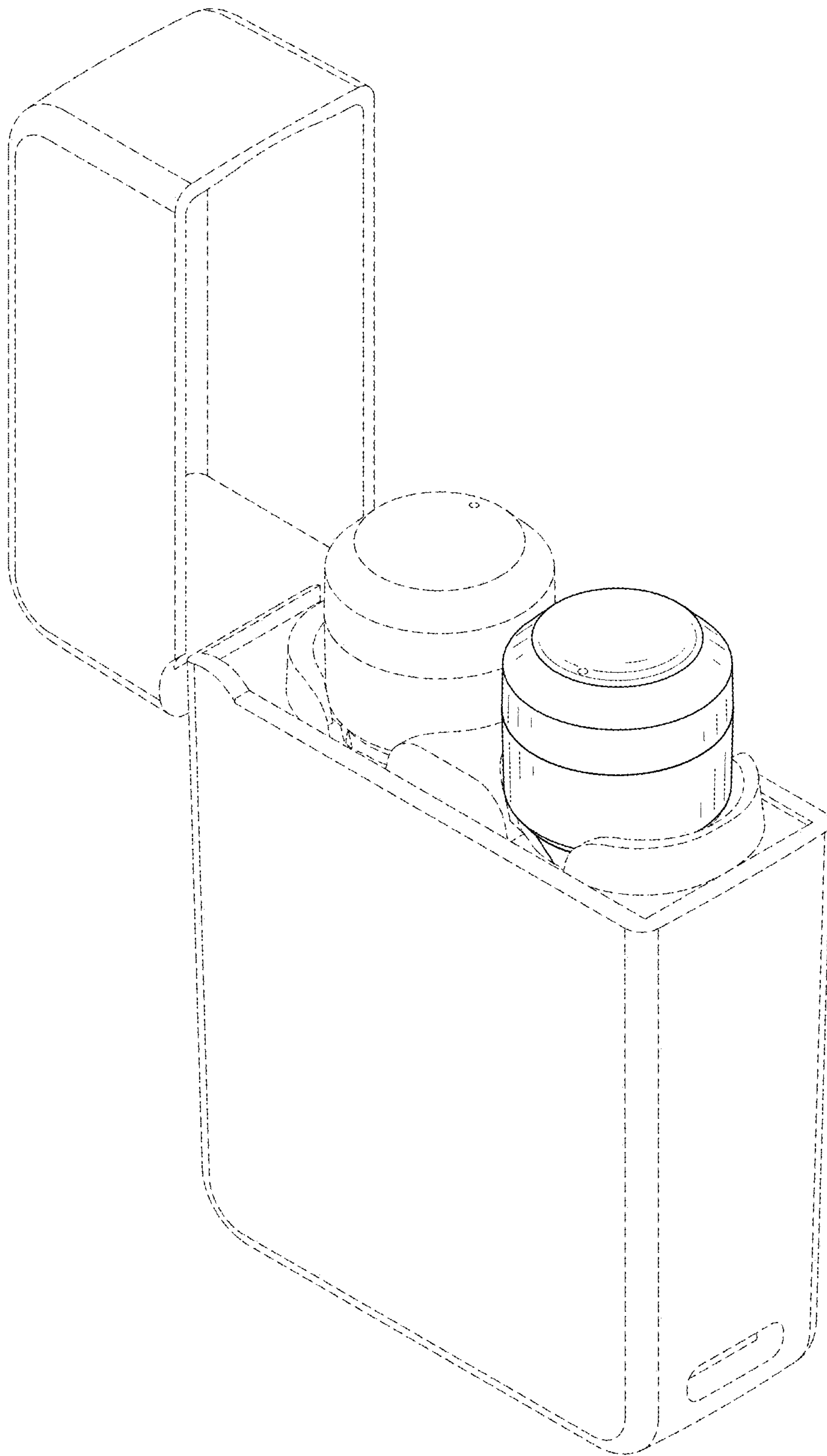


FIG. 9