



US00D892769S

(12) **United States Design Patent**
Cai

(10) **Patent No.:** **US D892,769 S**

(45) **Date of Patent:** **** Aug. 11, 2020**

(54) **EARPHONE**

(71) Applicant: **Guangzhou Lanshidun Electronic Limited Company**, Guangzhou (CN)

(72) Inventor: **Hejin Cai**, Guangzhou (CN)

(73) Assignee: **GUANGZHOU LANSHIDUN ELECTRONIC LIMITED COMPANY**, Guangzhou (CN)

(**) Term: **15 Years**

(21) Appl. No.: **29/660,047**

(22) Filed: **Aug. 15, 2018**

(51) **LOC (12) Cl.** **14-01**

(52) **U.S. Cl.**
USPC **D14/223**

(58) **Field of Classification Search**
USPC ... D14/205, 207, 209.1, 217, 218, 221, 223, D14/224, 224.1, 225; D24/173, 174, 106, D24/105
CPC H04R 1/00; H04R 1/10; H04R 1/1016; H04R 1/1066; H04R 1/105; H04R 1/1033; H04R 1/1083; H04R 1/1091; H04R 5/033; H04R 5/0335; H04R 25/00
See application file for complete search history.

(56) **References Cited**

U.S. PATENT DOCUMENTS

D554,756 S	*	11/2007	Sjursen	D24/174
D719,139 S	*	12/2014	Henry	D14/223
D728,107 S	*	4/2015	Torres Martin	D24/174
D733,103 S	*	6/2015	Jeong	D14/224
D773,439 S	*	12/2016	Walker	D14/205
D800,097 S	*	10/2017	Chen	D14/223
D806,879 S	*	1/2018	Horbinski	D24/174
D812,042 S	*	3/2018	Xiao	D14/223
D813,205 S	*	3/2018	Palmborg	D14/223
D813,848 S	*	3/2018	Palmborg	D14/223
D822,645 S	*	7/2018	Loermann	D14/223
D823,835 S	*	7/2018	Loermann	D14/223

D824,371 S	*	7/2018	Loermann	D14/223
D826,211 S	*	8/2018	Kim	D14/206
D843,353 S	*	3/2019	Zhang	D14/223
D845,932 S	*	4/2019	Lu	D14/223
D847,126 S	*	4/2019	Loermann	D14/223
D851,072 S	*	6/2019	McNamara	D14/223
D852,782 S	*	7/2019	Bergman	D14/223
D858,489 S	*	9/2019	Hu	D14/223
D863,263 S	*	10/2019	Yu	D14/223
D864,167 S	*	10/2019	Wu	D14/223
D866,530 S	*	11/2019	Birger	D14/223
D868,750 S	*	12/2019	Zheng	D14/223

(Continued)

FOREIGN PATENT DOCUMENTS

CN 201930325953.9 * 6/2019

OTHER PUBLICATIONS

ZLT-01 Technology Bests Studio MI In-Ear Audifonos Wireless Bluetooths Earphone, no announcement date given [online], retrieved Mar. 24, 2020, retrieved from internet, http://www.gztonghan.com/ExclusivePatentedProducts/ZLT-01_147.html.*

Primary Examiner — Michelle E. Wilson

Assistant Examiner — Messina L Smith

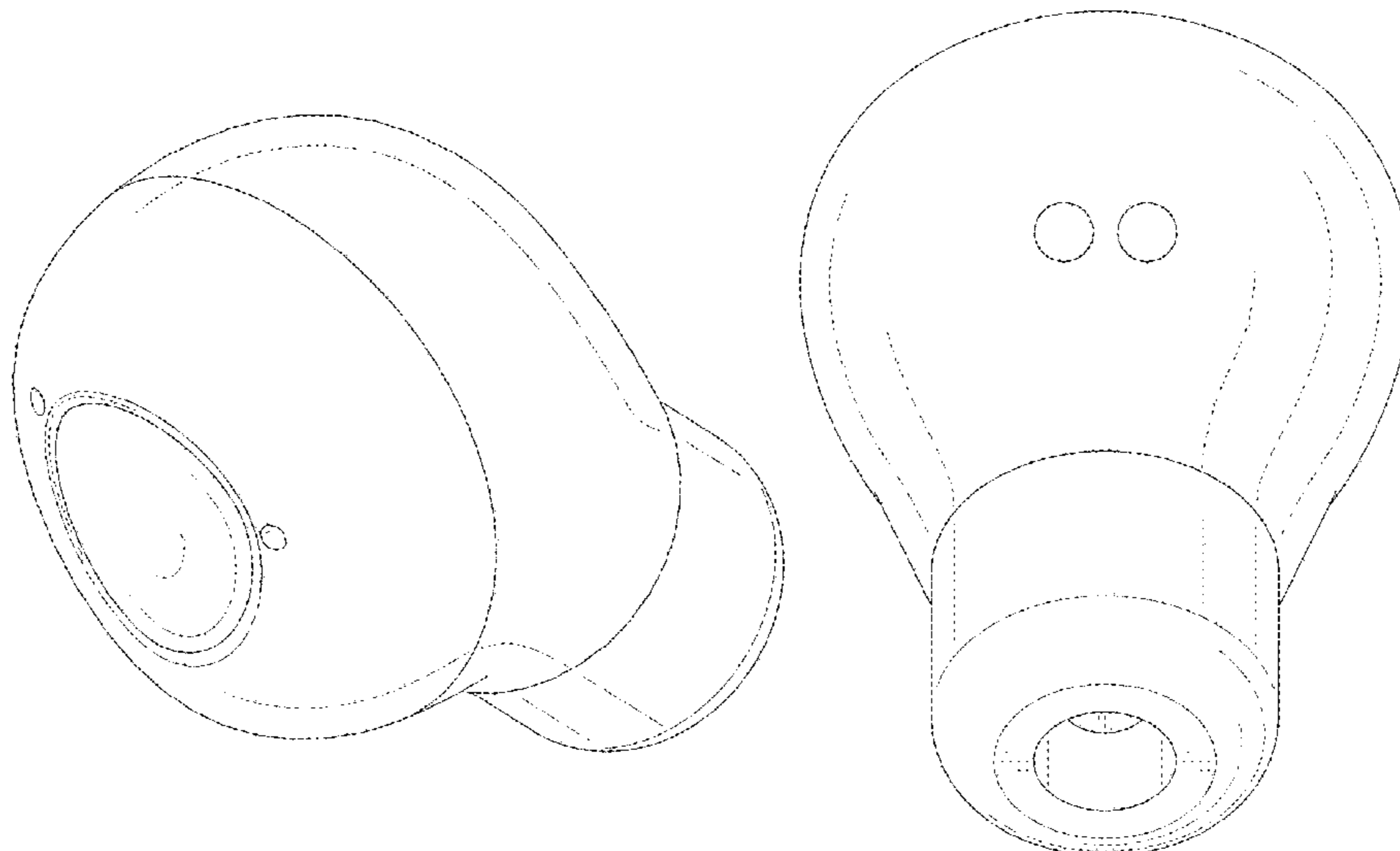
(57) **CLAIM**

The ornamental design for an earphone, as shown and described.

DESCRIPTION

FIG. 1 is a perspective view of an earphone showing my new design;
FIG. 2 is a front view thereof;
FIG. 3 is a rear view thereof;
FIG. 4 is a left side view thereof;
FIG. 5 is a right side view thereof;
FIG. 6 is a top view thereof; and,
FIG. 7 is a bottom view thereof.

1 Claim, 7 Drawing Sheets



(56)

References Cited

U.S. PATENT DOCUMENTS

D868,752 S * 12/2019 Zhu D14/223
D871,376 S * 12/2019 Zhou D14/223
D872,063 S * 1/2020 Arimoto D14/223
D872,064 S * 1/2020 Cai D14/223
D873,805 S * 1/2020 Yang D14/223
D875,714 S * 2/2020 Kim D14/205
2017/0111725 A1 * 4/2017 Boesen H04R 1/1016
2018/0131798 A1 * 5/2018 Hviid H04R 1/1016
2020/0037084 A1 * 1/2020 Cheung H04R 1/1083

* cited by examiner

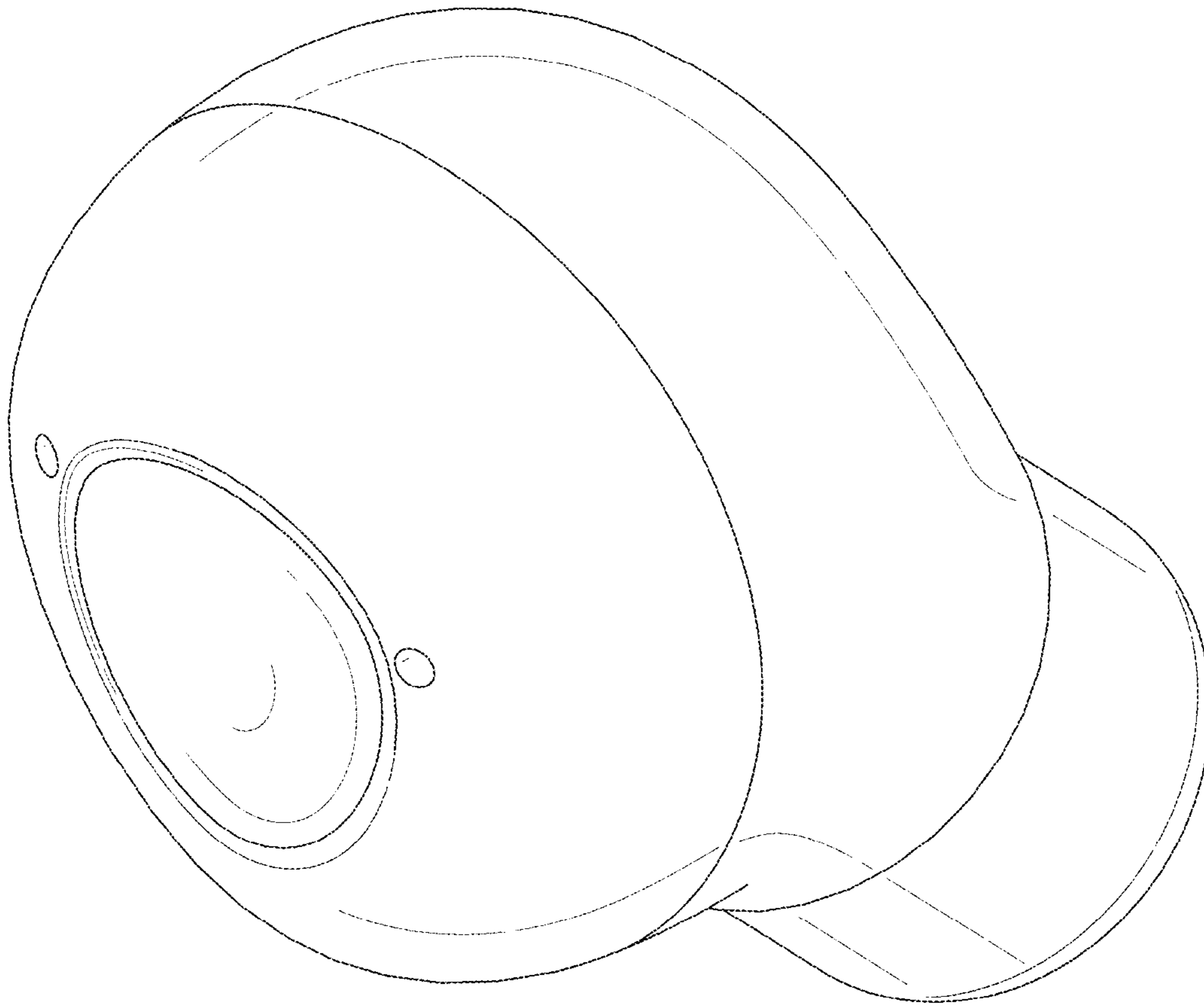


FIG. 1

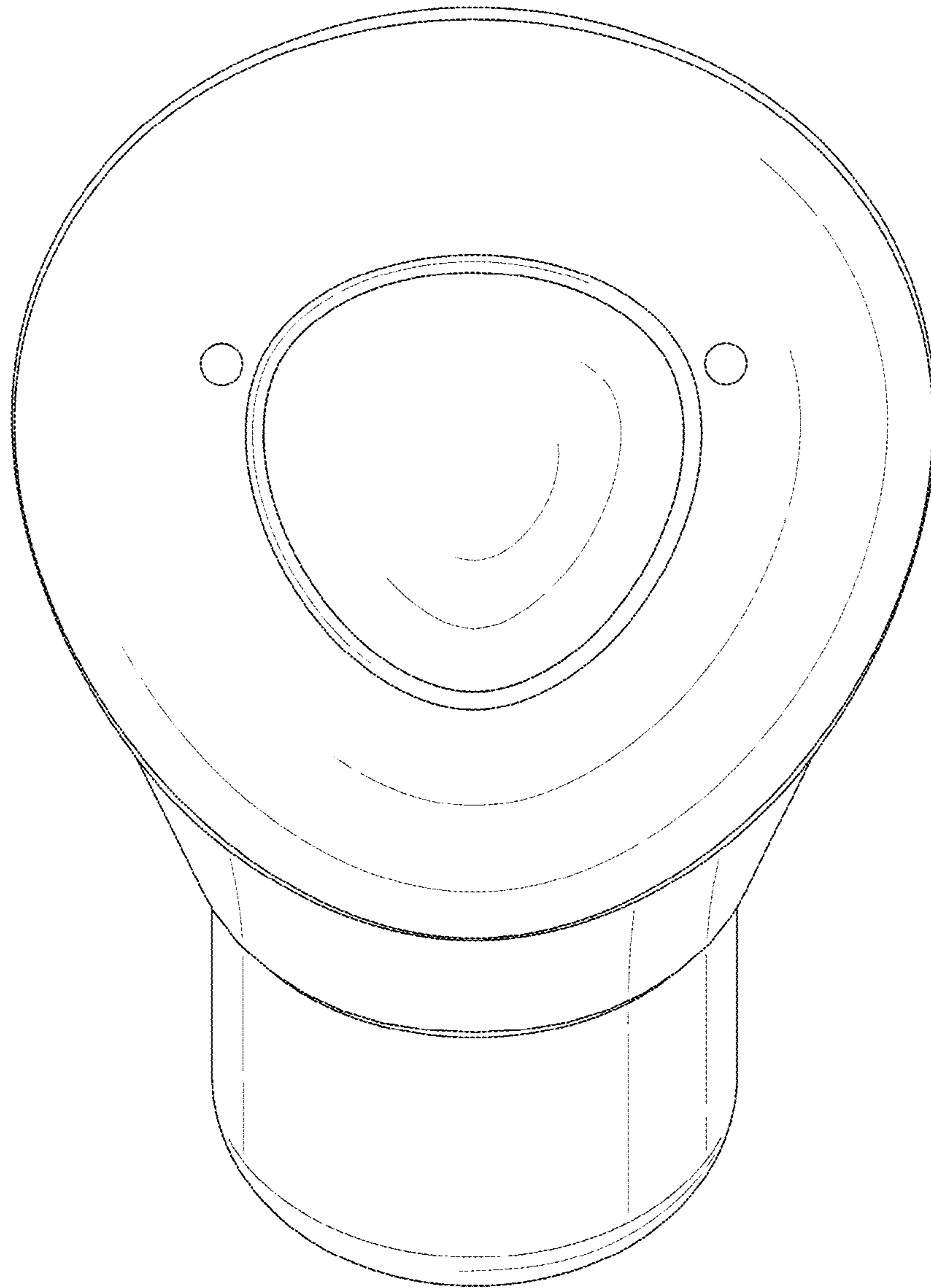


FIG. 2

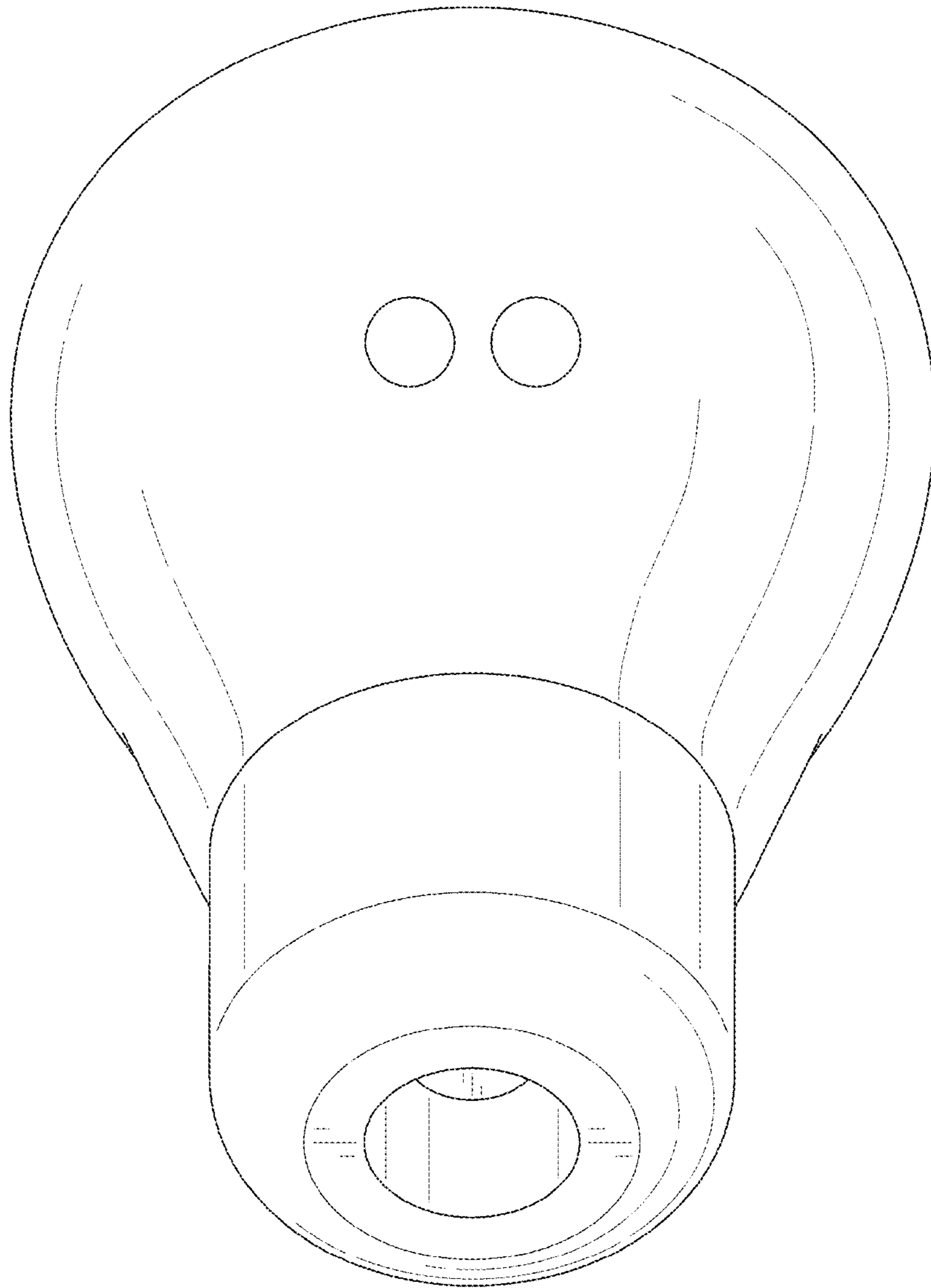


FIG. 3

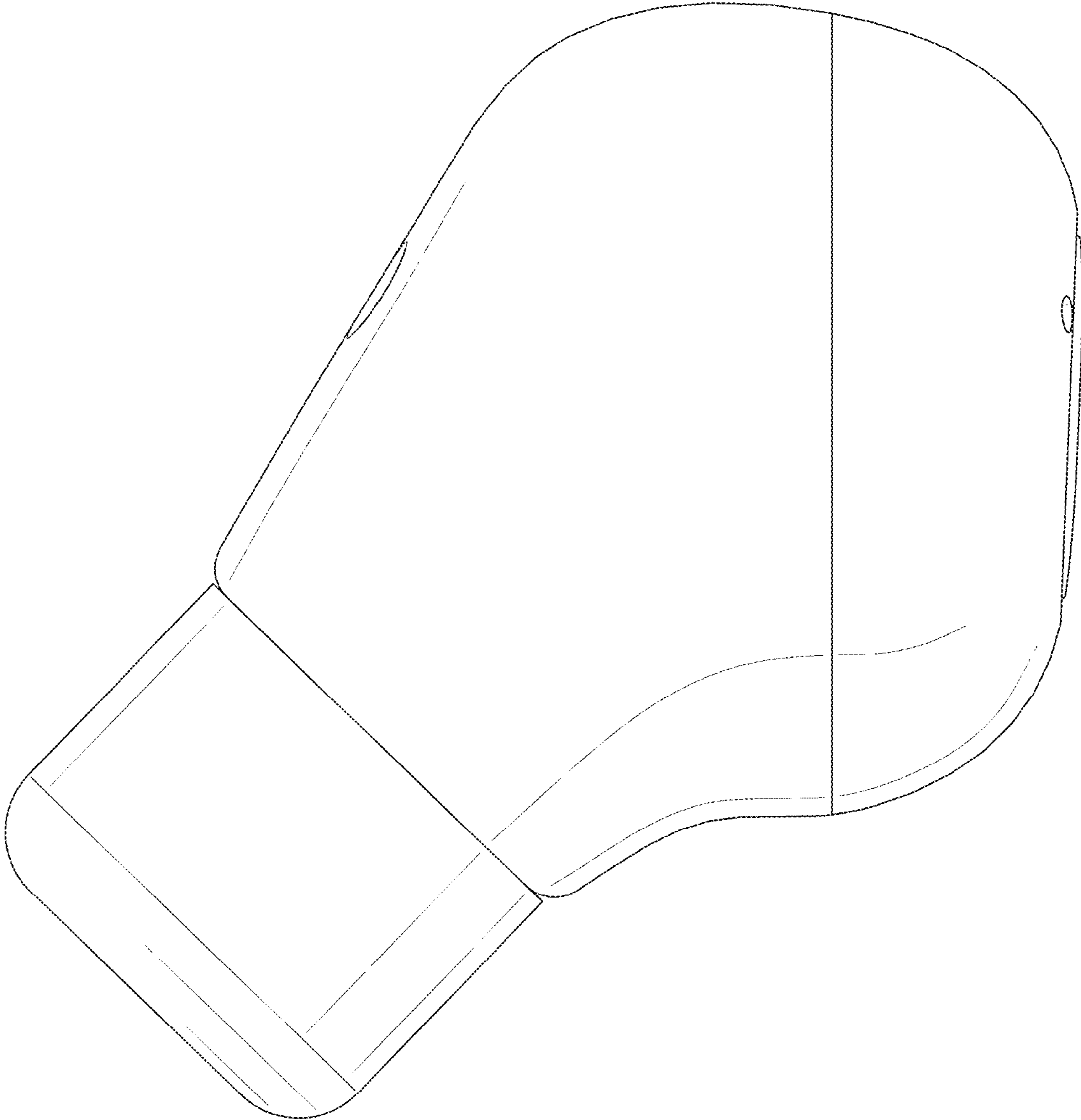


FIG. 4

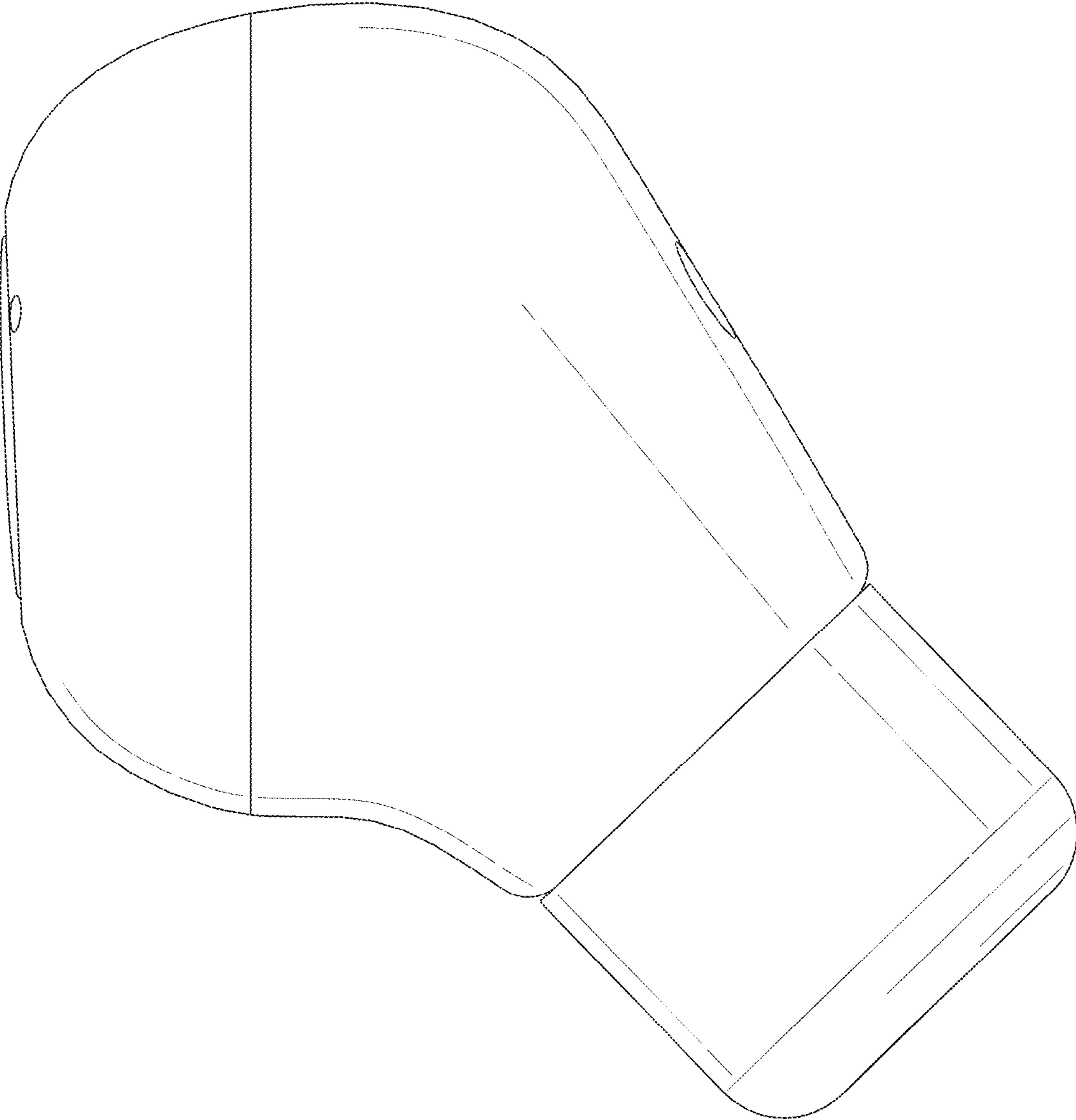


FIG. 5

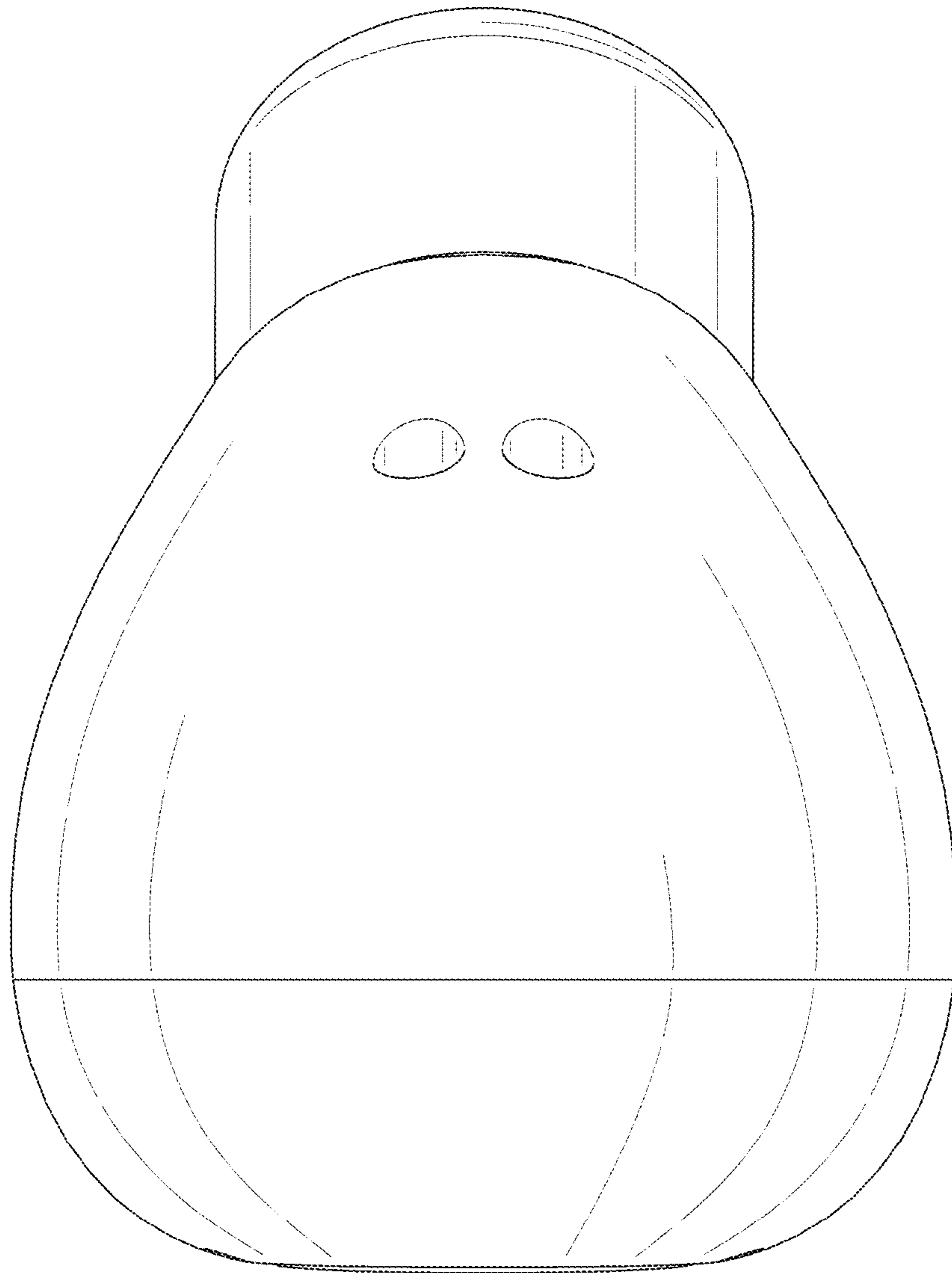


FIG. 6

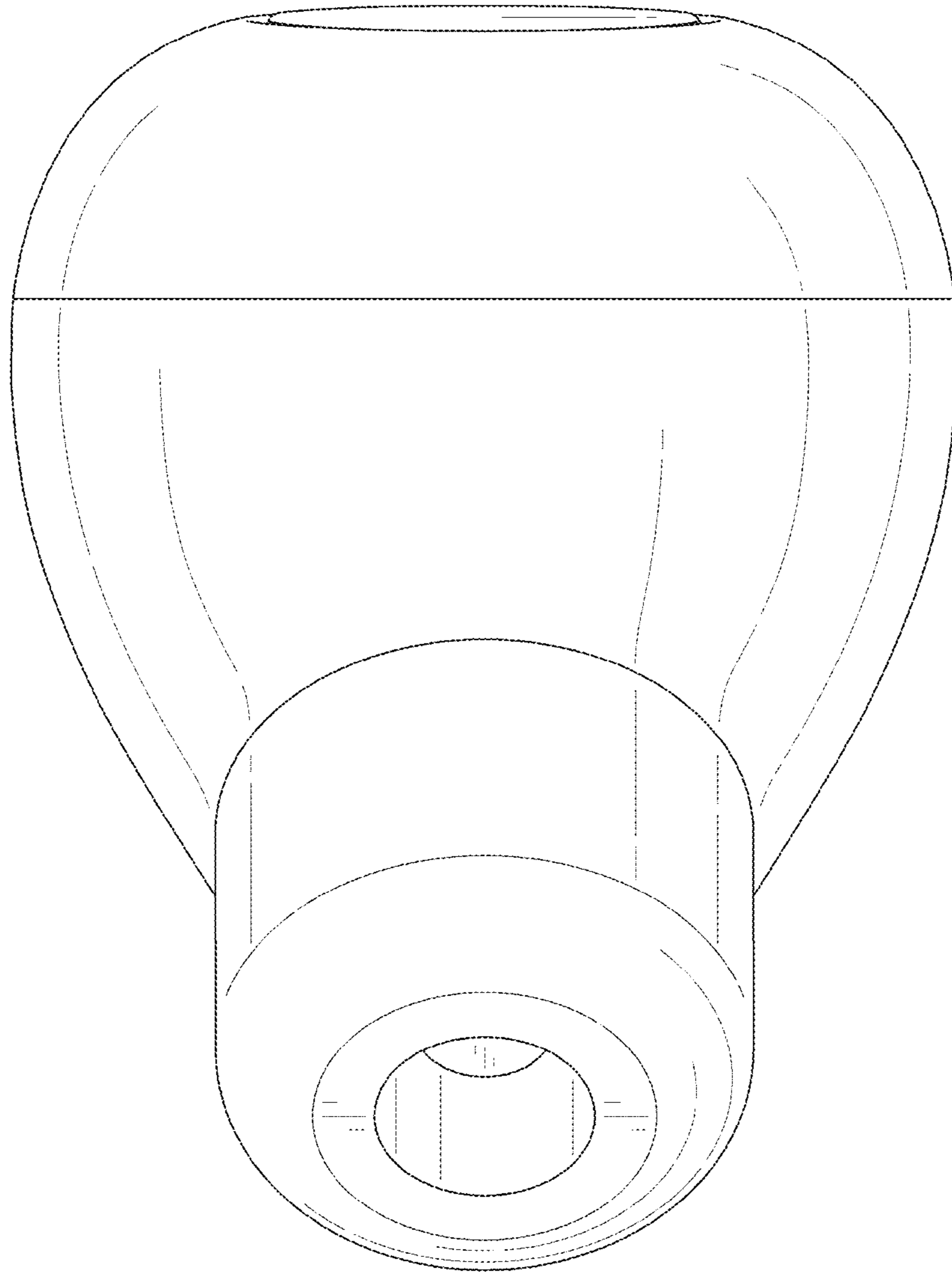


FIG. 7