



US00D892766S

(12) **United States Design Patent**
Matsubayashi

(10) **Patent No.:** **US D892,766 S**

(45) **Date of Patent:** **** Aug. 11, 2020**

(54) **SPEAKER FOR AUTOMOBILE**
(71) Applicant: **PIONEER CORPORATION**, Tokyo (JP)
(72) Inventor: **Yusuke Matsubayashi**, Tokyo (JP)
(73) Assignee: **PIONEER CORPORATION**, Tokyo (JP)
(**) Term: **15 Years**

2,857,478 A * 10/1958 Harris H04R 1/24
381/182
3,072,213 A * 1/1963 Petrie H04R 7/20
181/171
3,516,111 A * 6/1970 Heyman F16L 5/00
16/2.1

(Continued)

FOREIGN PATENT DOCUMENTS

JP S-D1130006 12/2001
JP S-D1191943 12/2003

(Continued)

(21) Appl. No.: **29/667,046**

(22) Filed: **Oct. 18, 2018**

(30) **Foreign Application Priority Data**

Jun. 6, 2018 (JP) 2018-012422

(51) **LOC (12) Cl.** **14-03**

(52) **U.S. Cl.**
USPC **D14/216; D14/222**

(58) **Field of Classification Search**
USPC D14/216, 221, 222, 224, 208;
181/144-148, 157, 161, 171; 381/386,
381/398, 420, 403, 186, 396; 455/90.3,
455/575.1, 569.1
CPC ... H04R 1/20; H04R 9/06; H04R 9/04; H04R
1/00; H04R 1/24; H04R 25/00; H04R
9/025; H04R 1/2803; H04R 1/02; H04R
7/02; H04R 11/02; H04R 7/20; G10K
13/00

See application file for complete search history.

(56) **References Cited**

U.S. PATENT DOCUMENTS

1,844,605 A * 2/1932 Seabert H04R 7/14
181/161
2,200,490 A * 5/1940 Cornwell H04R 7/122
181/165
2,496,589 A * 2/1950 Marquis H04R 1/24
381/186

OTHER PUBLICATIONS

Pioneer Catalog "Carrozzeria Trip to the Edge '19 vol. 1" (pp. 40,44) issued on May 2019.

(Continued)

Primary Examiner — Paula Allen Greene

(74) *Attorney, Agent, or Firm* — Faegre Drinker Biddle & Reath LLP

(57) **CLAIM**

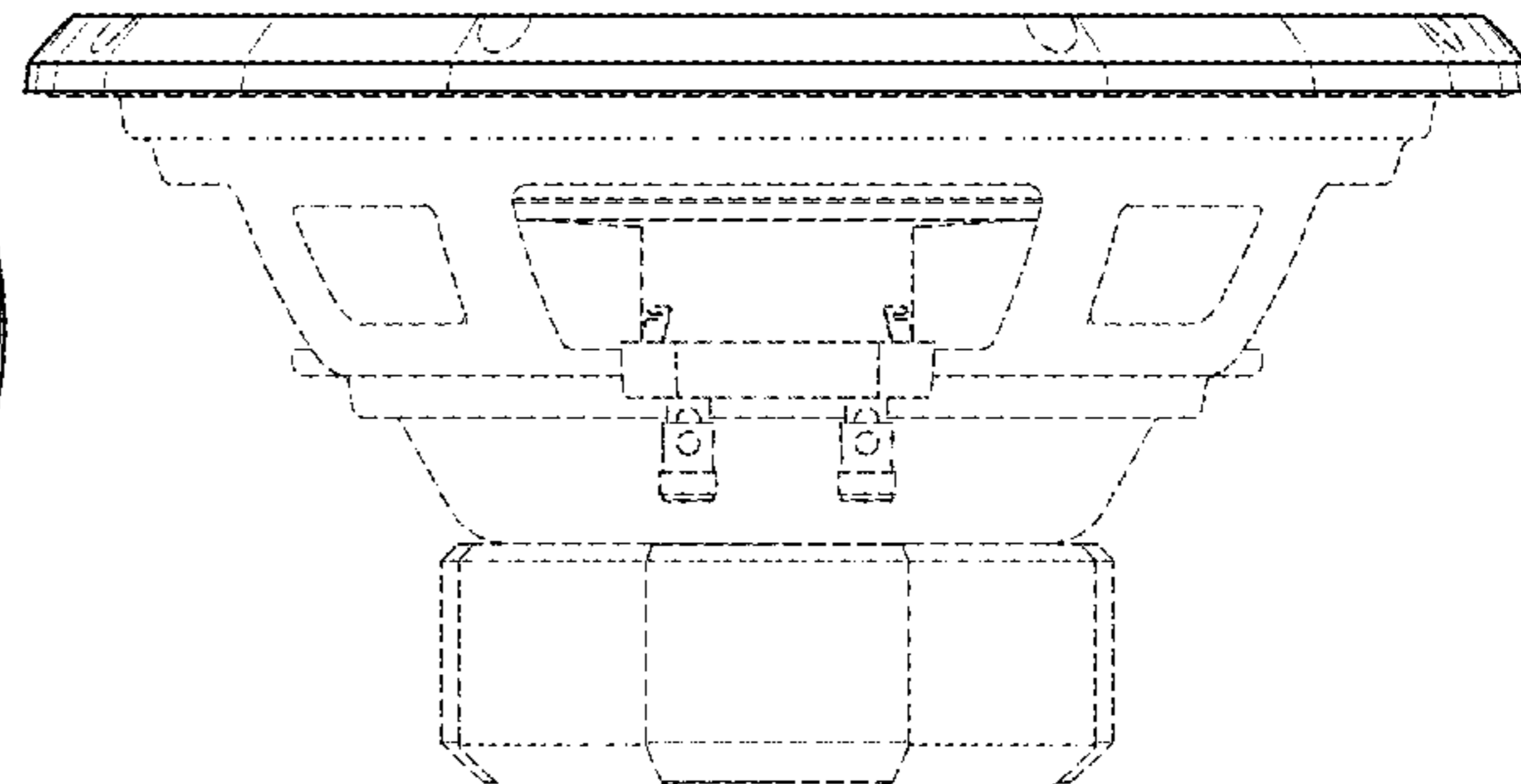
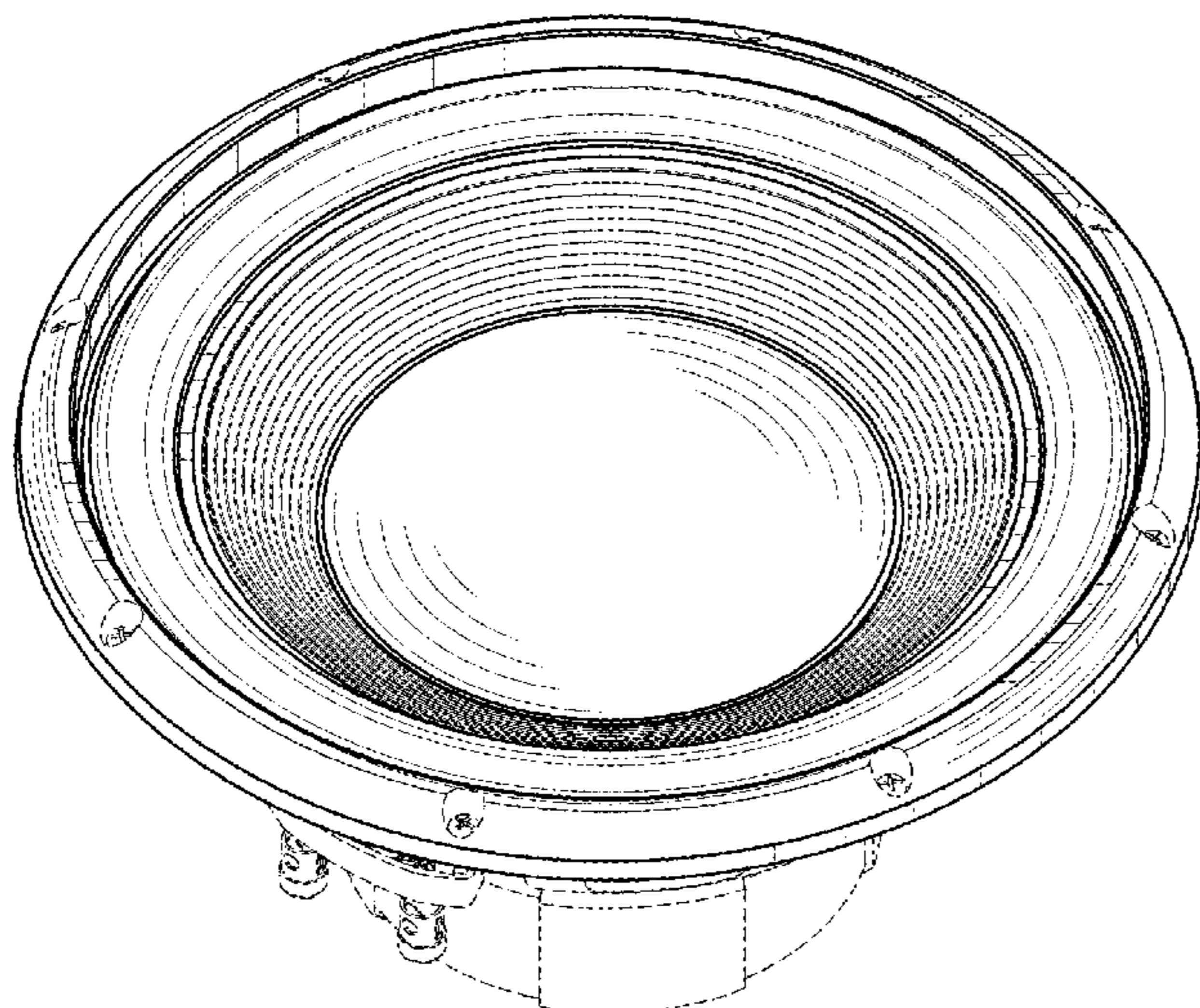
The ornamental design for the speaker for automobile, as shown and described.

DESCRIPTION

FIG. 1 is a perspective view of a speaker for automobile showing our new design;
FIG. 2 is a front view thereof;
FIG. 3 is a rear view thereof;
FIG. 4 is a right side view thereof;
FIG. 5 is a left side view thereof;
FIG. 6 is a top view thereof; and,
FIG. 7 is a bottom view thereof.

The broken lines depict environment that forms no part of the claimed design.

1 Claim, 7 Drawing Sheets



(56)

References Cited

U.S. PATENT DOCUMENTS

3,858,680 A * 1/1975 Tsuge H04R 7/122
181/172
3,997,023 A * 12/1976 White G10K 13/00
181/171
D250,586 S * 12/1978 Nussdorfer D14/216
4,166,933 A * 9/1979 Cinquino H04R 1/025
181/159
4,179,009 A * 12/1979 Birkner H04R 1/025
181/141
4,281,224 A * 7/1981 Castagna B60R 11/0217
181/150
4,359,133 A * 11/1982 Krolak H04R 1/025
16/2.1
D288,807 S * 3/1987 Hlavaty D14/215
4,898,260 A * 2/1990 Fang H04R 1/288
181/148
D360,886 S * 8/1995 Hall D14/216
5,455,396 A * 10/1995 Willard H04R 7/20
181/172
D393,641 S * 4/1998 Hai-Fu D14/216
D432,118 S * 10/2000 Honnert D14/216
D448,017 S * 9/2001 Hasbrook D14/216
D475,992 S * 6/2003 Tomotaro D14/216
6,675,930 B2 * 1/2004 Sugiyama H04R 1/025
181/148
D496,353 S * 9/2004 Williamson D14/222
D504,416 S * 4/2005 Dayan D14/216
D523,848 S * 6/2006 Shing D14/221
D526,310 S * 8/2006 Pantaleone D14/221
D531,620 S * 11/2006 Tanaka D14/221
D544,847 S * 6/2007 Inoue D13/180
D554,621 S * 11/2007 Yao D14/216
7,317,810 B2 * 1/2008 Ohashi H04R 9/025
381/186
D568,300 S * 5/2008 Akaishi D14/222
D578,112 S * 10/2008 Naito D14/224
D578,113 S * 10/2008 Yagihashi D14/224
7,913,808 B2 * 3/2011 Fehervari H04R 31/003
181/167
D650,770 S * 12/2011 Chen D14/216
D650,771 S * 12/2011 Chen D14/216
D651,588 S * 1/2012 Chen D14/216
D652,023 S * 1/2012 Chen D14/216
D652,408 S * 1/2012 Chen D14/216
8,311,262 B2 * 11/2012 Kulchy F16M 11/08
181/150
8,325,967 B2 * 12/2012 Tanabe H04R 9/04
381/403

8,385,580 B2 * 2/2013 Adamson H04R 9/022
381/401
D687,020 S * 7/2013 Trainer D14/222
D691,595 S * 10/2013 Fuller D14/224
D705,756 S * 5/2014 Kerstein D14/222
8,813,906 B2 * 8/2014 Ohara H04R 9/043
181/166
9,532,145 B2 * 12/2016 Niedermann H04R 9/02
D804,454 S * 12/2017 Katsuno D14/222
D864,914 S * 10/2019 Kitamura D14/216
2001/0045320 A1 * 11/2001 Sugiyama H04R 1/06
181/153
2002/0150271 A1 * 10/2002 Sugiyama H04R 1/06
381/386
2006/0133637 A1 * 6/2006 Proni H04R 9/06
381/398
2008/0027158 A1 * 1/2008 Ishida C08L 1/10
523/223
2008/0080736 A1 * 4/2008 Sumitani H04R 9/043
381/407
2010/0172533 A1 * 7/2010 Kajihara H04R 7/02
381/398

FOREIGN PATENT DOCUMENTS

JP S-D1201615 4/2004
JP S-D1223334 11/2004
JP S-D1241701 6/2005
JP S-D1241800 6/2005
JP S-D1269145 4/2006
JP S-D1269160 4/2006
JP S-D1318645 1/2008
JP S-D1318822 1/2008
JP S-D1329052 5/2008
JP S-D1329082 5/2008
JP S-D1348902 1/2009
JP D1450942 * 8/2012
JP S-D1460825 2/2013
JP S-D1491994 3/2014
JP S-D158882 10/2017
JP S-D1588864 10/2017
JP S-D1588865 10/2017
JP S-D1602130 4/2018
JP S-D1602149 4/2018
JP S-D1602167 4/2018
JP S-D1625874 3/2019

OTHER PUBLICATIONS

Pioneer Catalog "Audio & AV 2017 Car Entertainment Dealer Reference Guide vol. 1" (pp. 60-67) issued on May 2016.

* cited by examiner

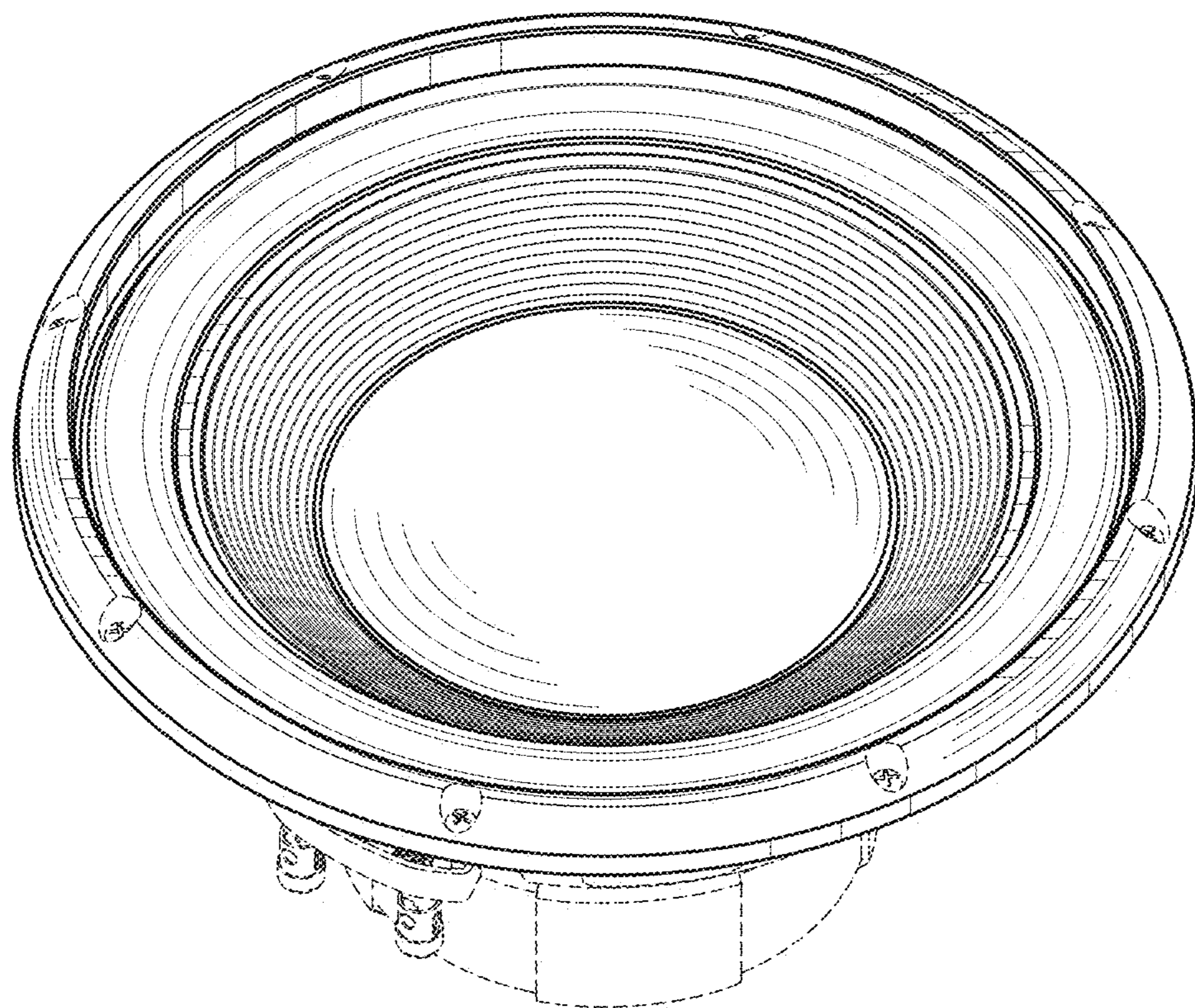


FIG. 1

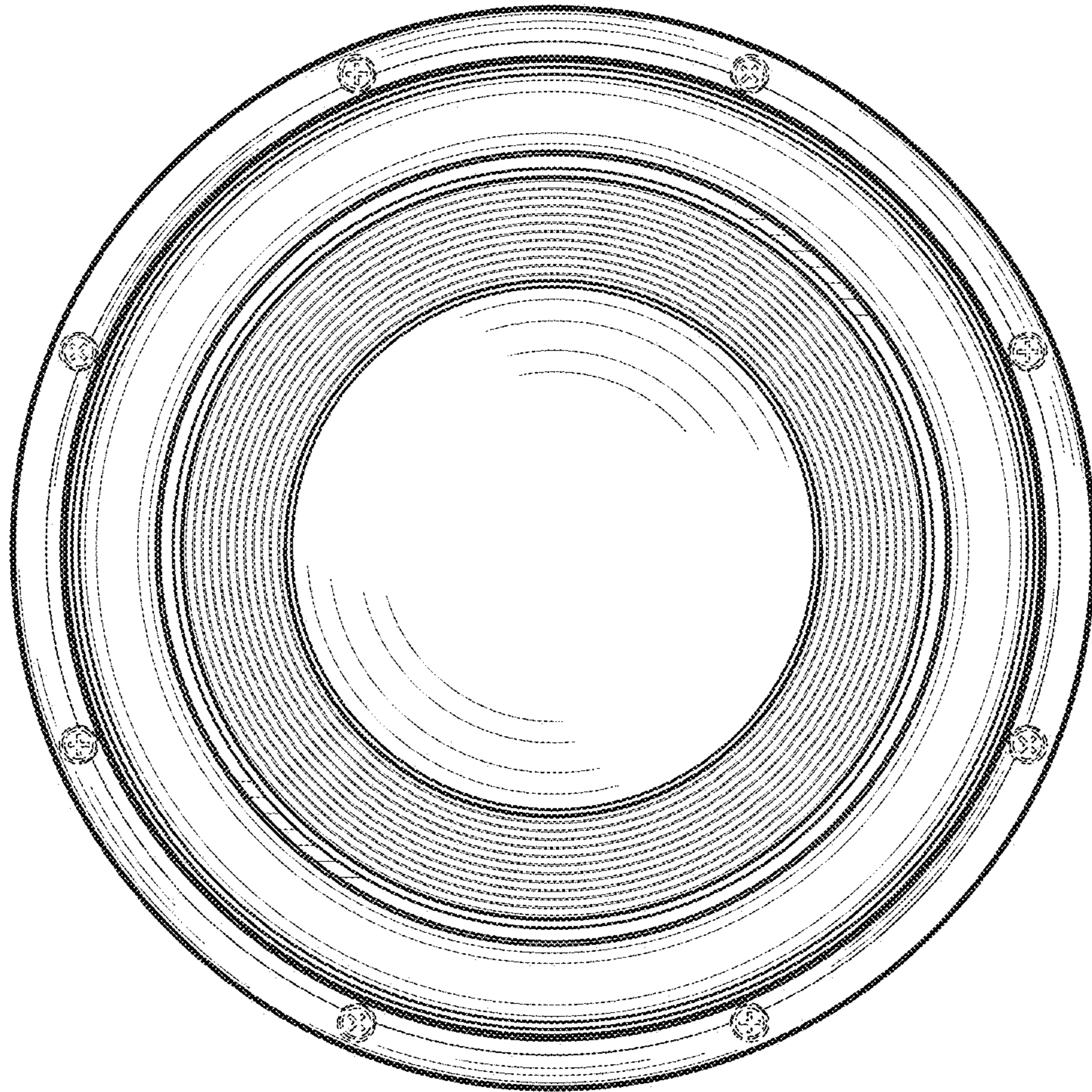


FIG. 2

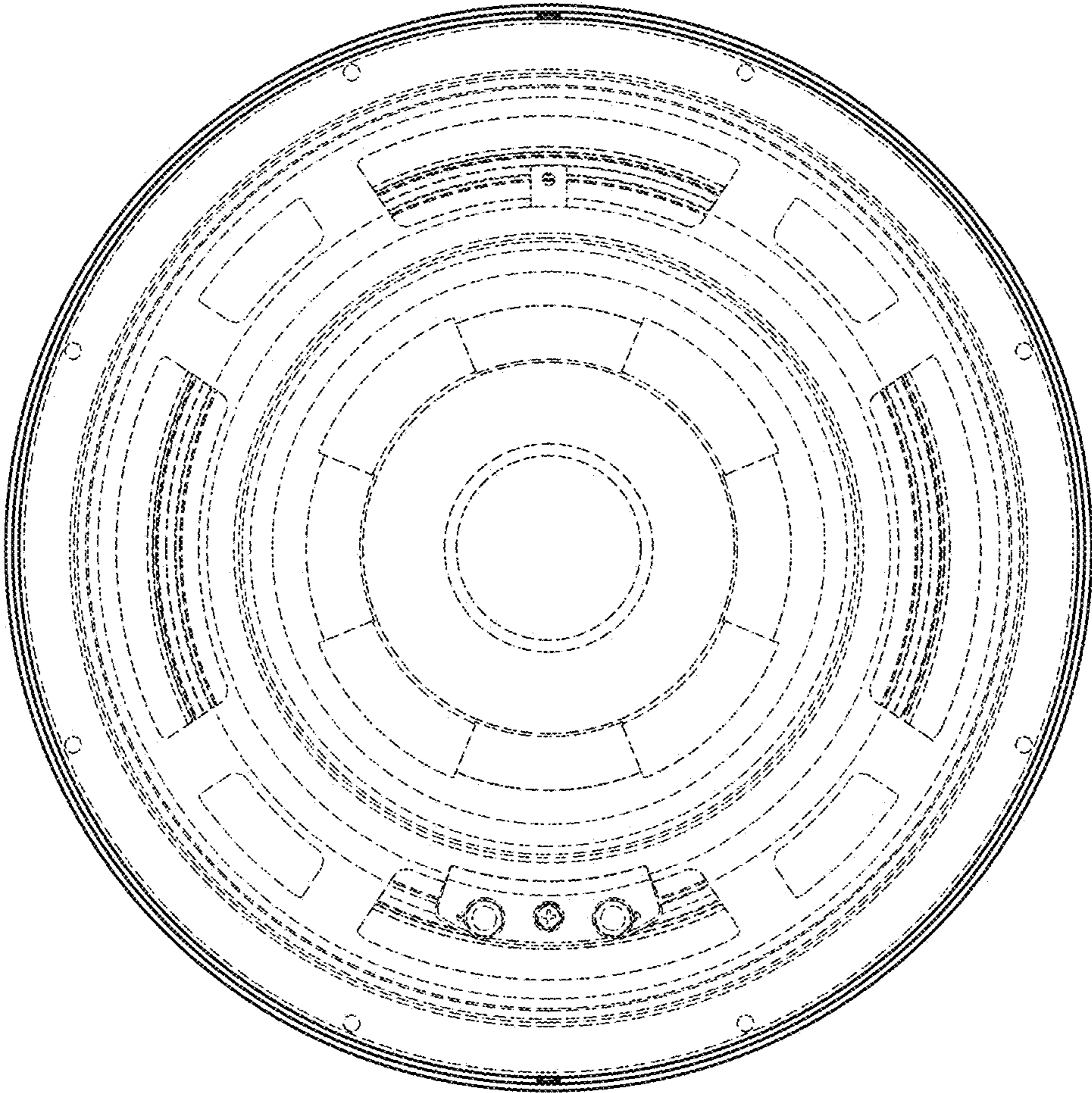


FIG. 3

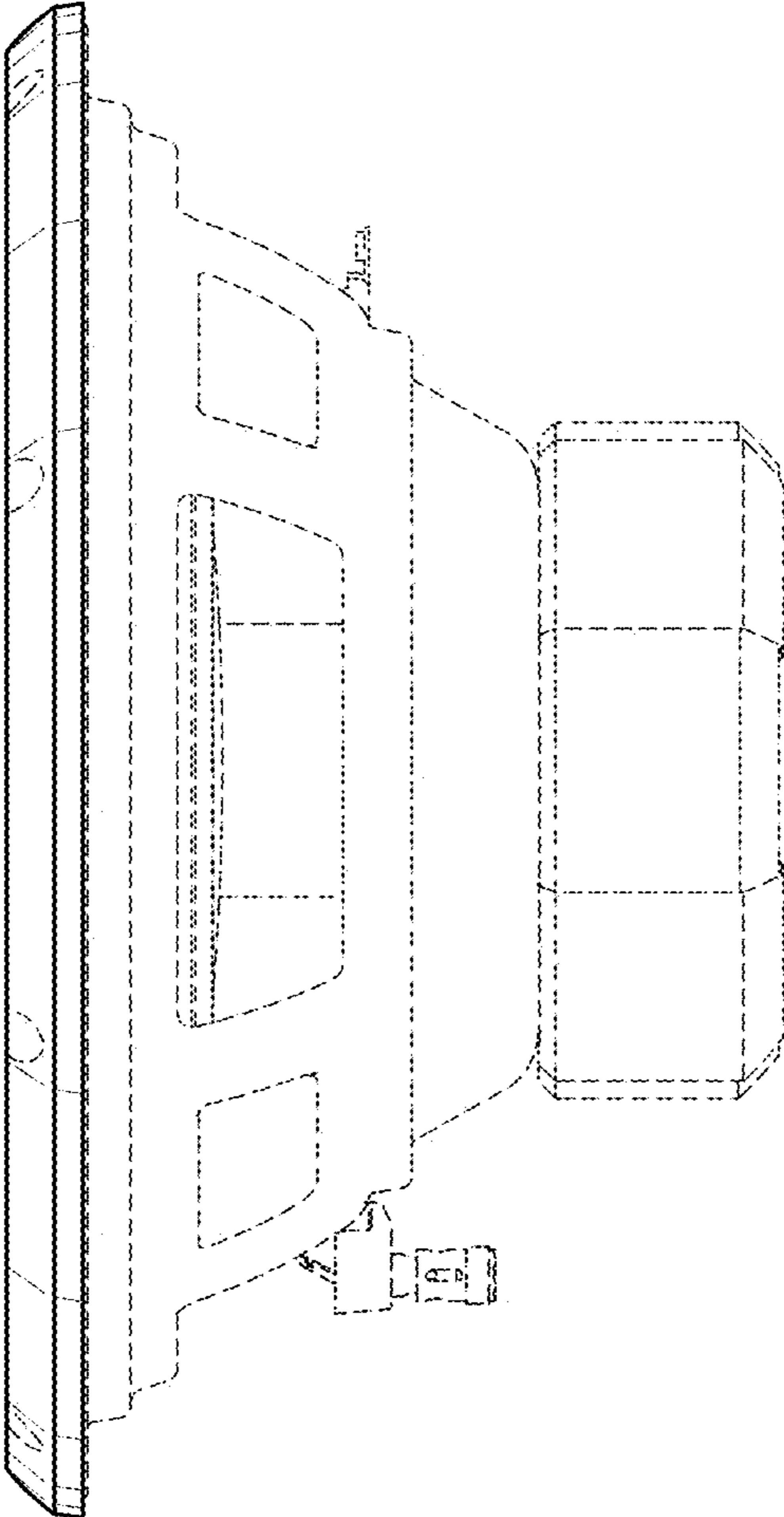


FIG. 4

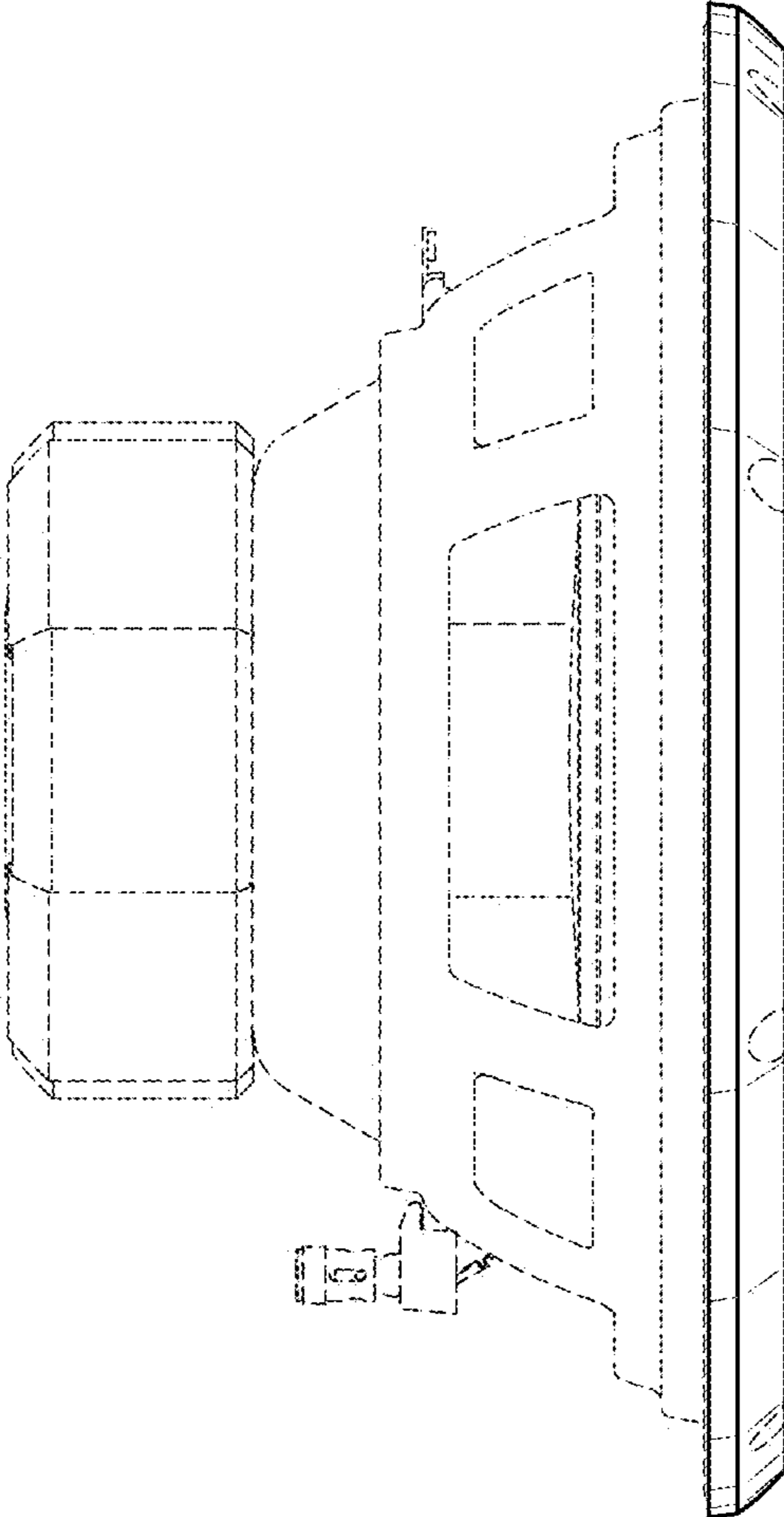


FIG. 5

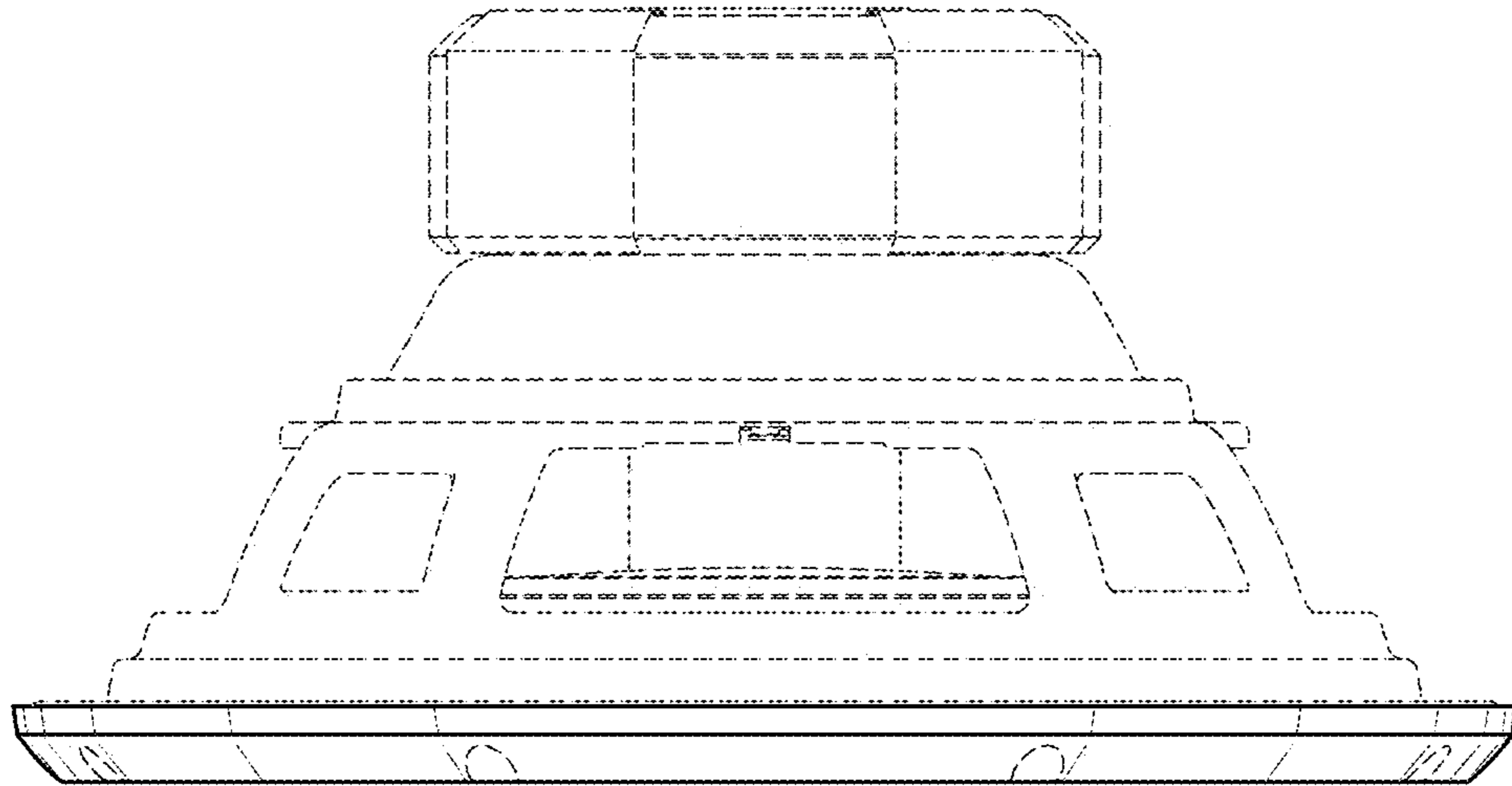


FIG. 6

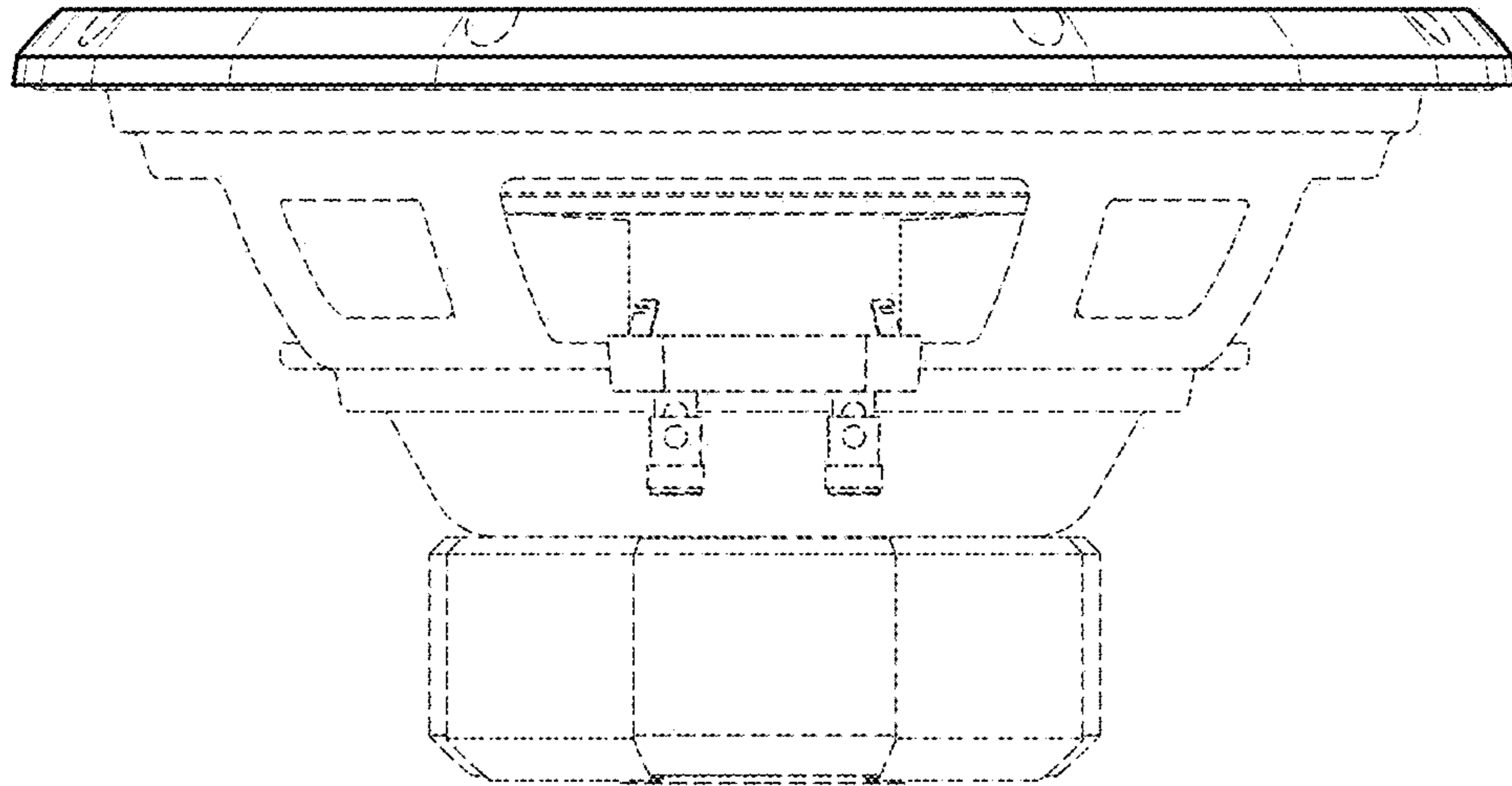


FIG. 7