



US00D892762S

(12) **United States Design Patent**
Yang

(10) **Patent No.:** **US D892,762 S**

(45) **Date of Patent:** **** Aug. 11, 2020**

(54) **BLUETOOTH SPEAKER**

(71) Applicant: **JIANGSU HEHUI POWER TOOLS CO., LTD.**, Qidong (CN)

(72) Inventor: **Xiaofei Yang**, Qidong (CN)

(73) Assignee: **JIANGSU HEHUI POWER TOOLS CO., LTD.**, Qidong (CN)

(**) Term: **15 Years**

(21) Appl. No.: **29/660,082**

(22) Filed: **Aug. 17, 2018**

(30) **Foreign Application Priority Data**

May 30, 2018 (CN) 2018 3 0264377

(51) **LOC (12) Cl.** **14-01**

(52) **U.S. Cl.**
USPC **D14/204**

(58) **Field of Classification Search**
USPC D14/188, 192, 203.1–203.8, 204,
D14/210–213, 215, 216, 348; 181/143,
181/144, 148, 153, 157, 198, 199;
369/6–12; 381/300–303, 361–364, 366,
381/386–388

CPC H04R 1/02; H04R 1/021; H04R 1/025;
H04R 1/026; H04R 5/00; H04R 9/06;
H04R 19/013; H04R 2400/00

See application file for complete search history.

(56) **References Cited**

U.S. PATENT DOCUMENTS

D328,202 S * 7/1992 Tippit 312/204
D451,084 S * 11/2001 Su D14/155

D568,872 S * 5/2008 Gonzalez D14/214
D599,324 S * 9/2009 Shen D14/196
D629,382 S * 12/2010 Nathan D14/173
D758,336 S * 6/2016 Kelly D14/204
D772,092 S * 11/2016 Hageman D10/119.1
D779,456 S * 2/2017 Cho D14/204

* cited by examiner

Primary Examiner — Janice Patyk

(57) **CLAIM**

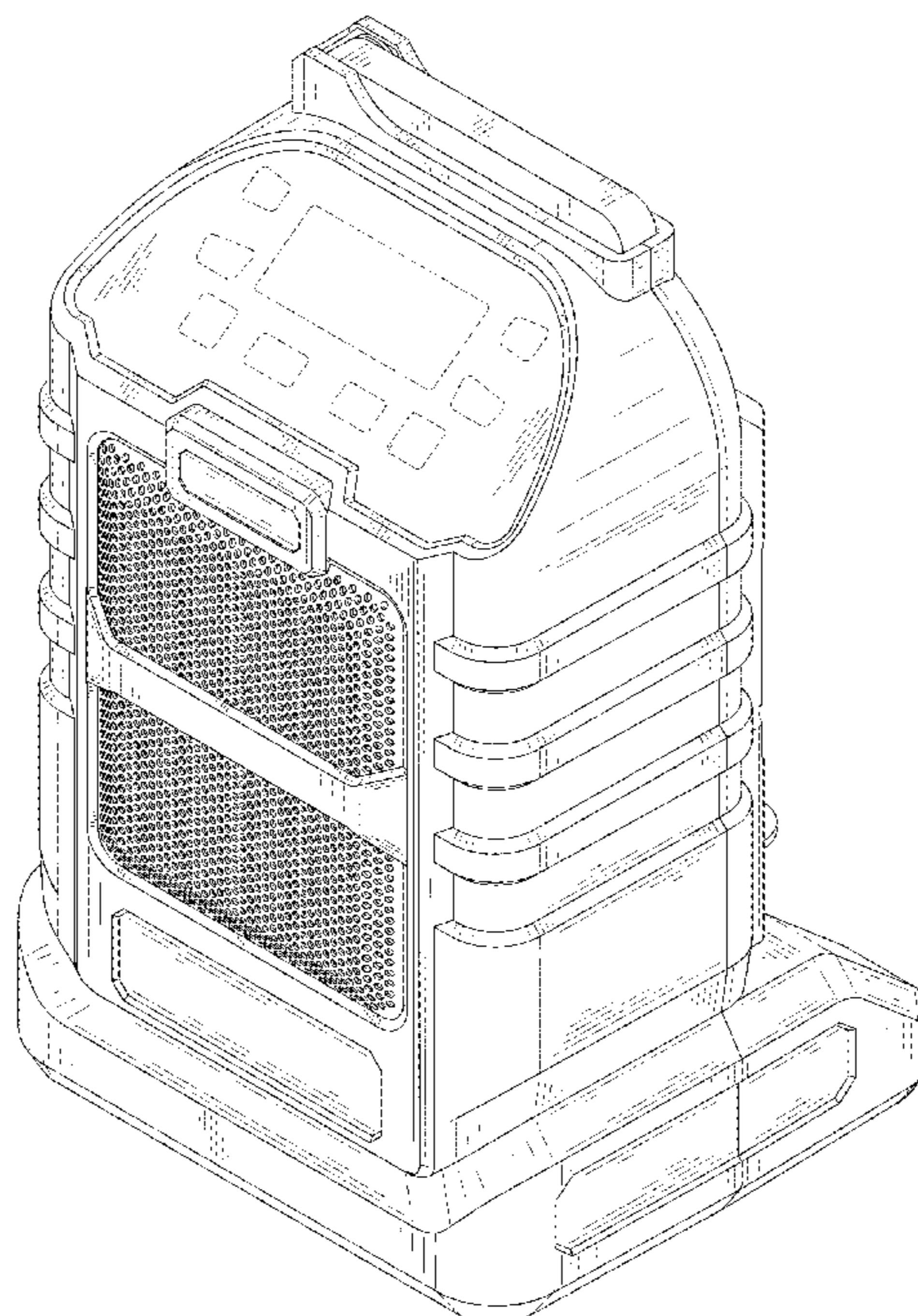
The ornamental design for a Bluetooth speaker, as shown and described.

DESCRIPTION

FIG. 1 is a top perspective view of a Bluetooth speaker showing my new design;
FIG. 2 is a bottom perspective view thereof;
FIG. 3 is a front elevation view thereof;
FIG. 4 is a rear elevation view thereof;
FIG. 5 is a right side elevation view thereof;
FIG. 6 is a left side elevation view thereof;
FIG. 7 is a top plan view thereof;
FIG. 8 is a bottom plan view thereof; and,
FIG. 9 is a partially enlarged view thereof, taken from FIG. 4.

Broken lines depict portions of the Bluetooth speaker that form no part of the claimed design. The dot-dash broken lines of FIGS. 4 and 9 are included to show a partially enlarged view only and form no part of the claimed design.

1 Claim, 9 Drawing Sheets



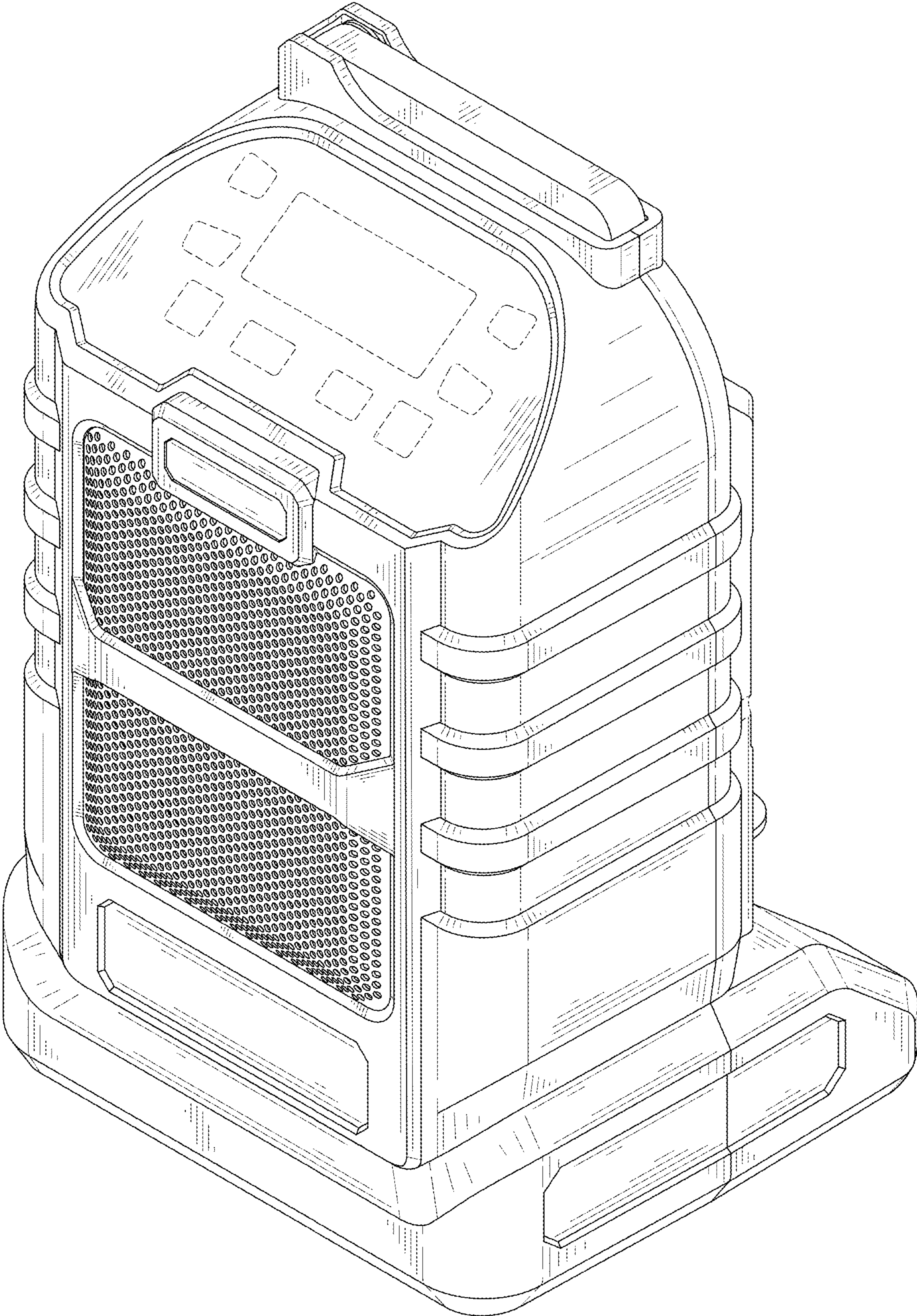


FIG. 1

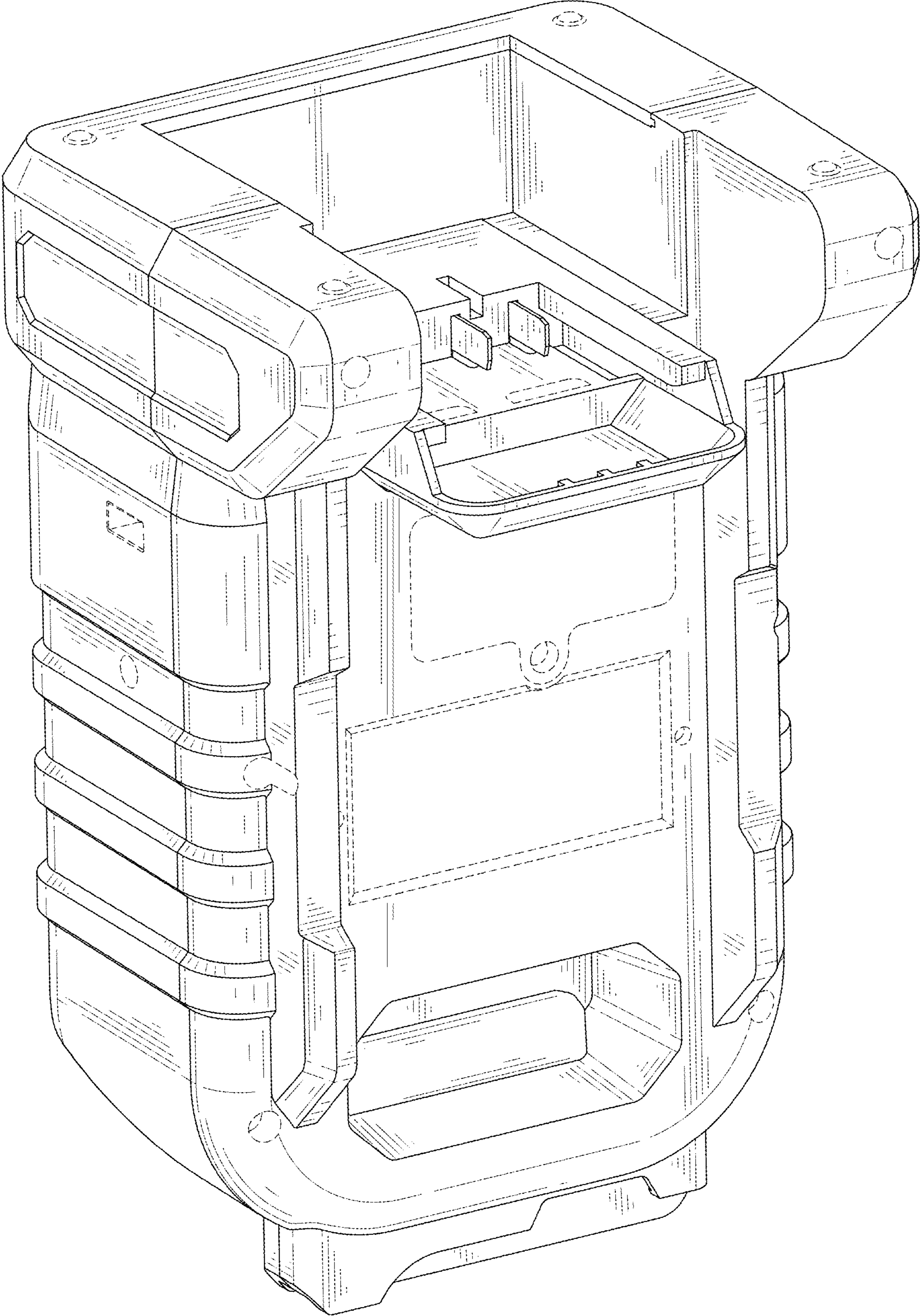


FIG. 2

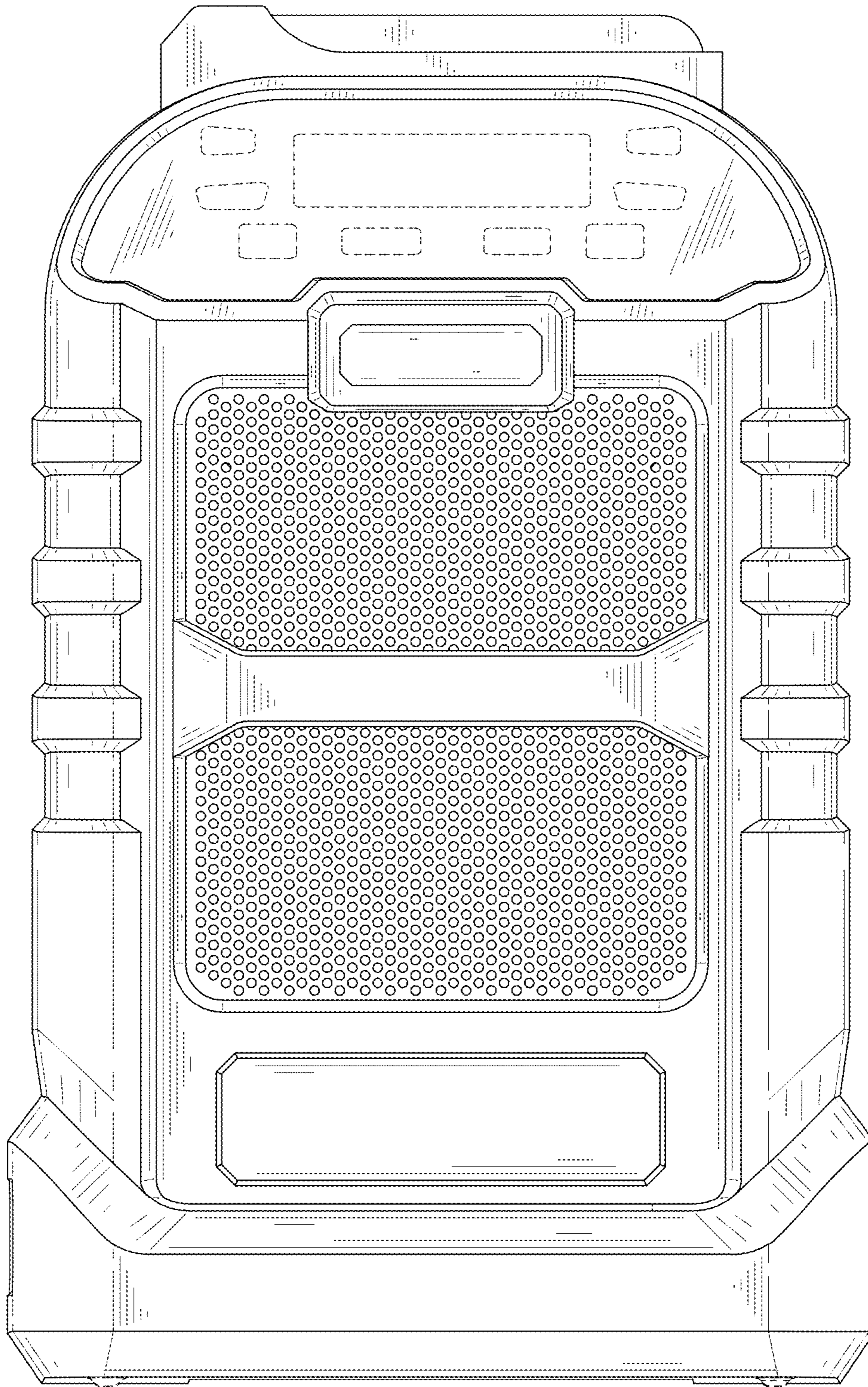


FIG. 3

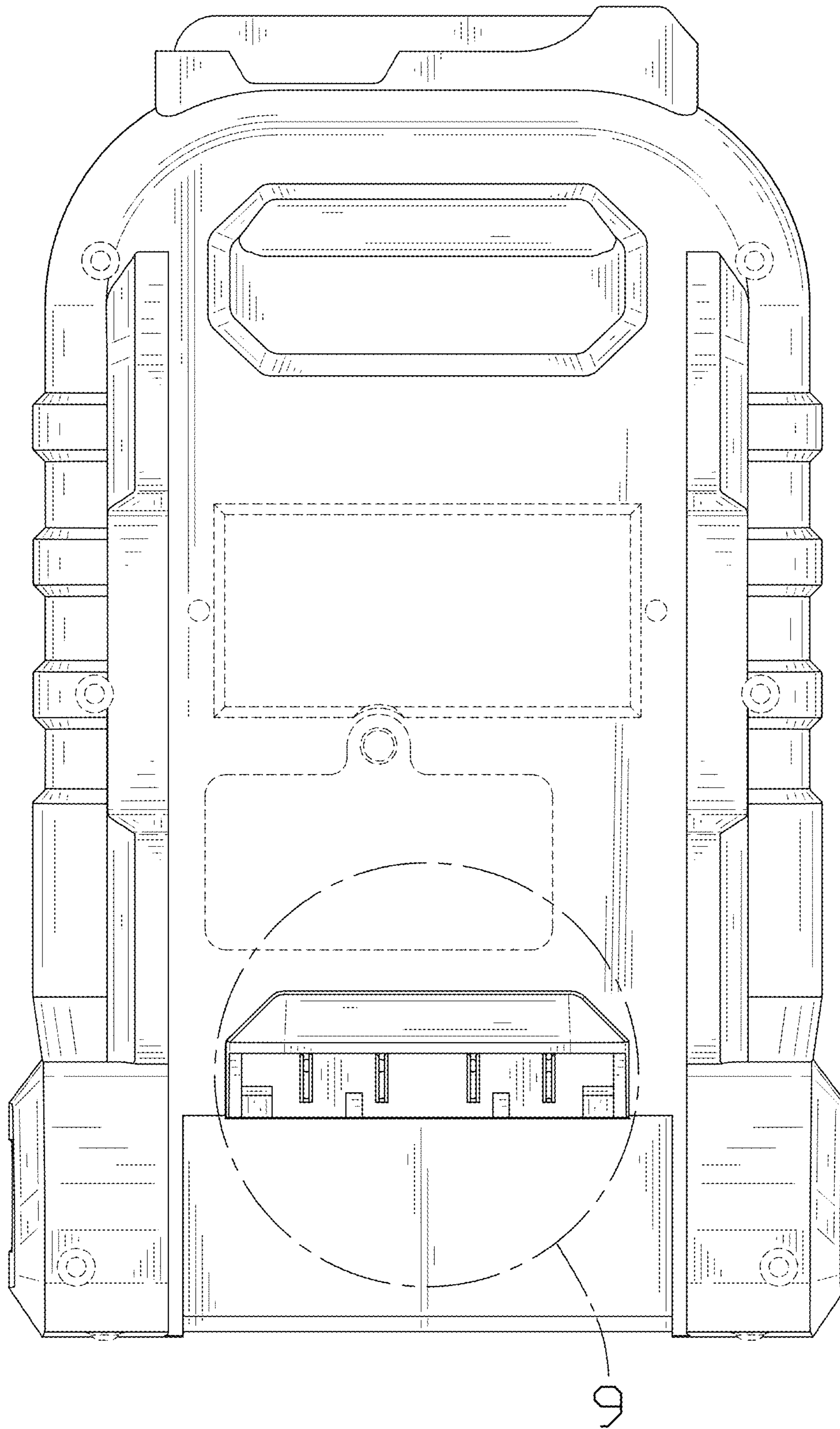


FIG. 4

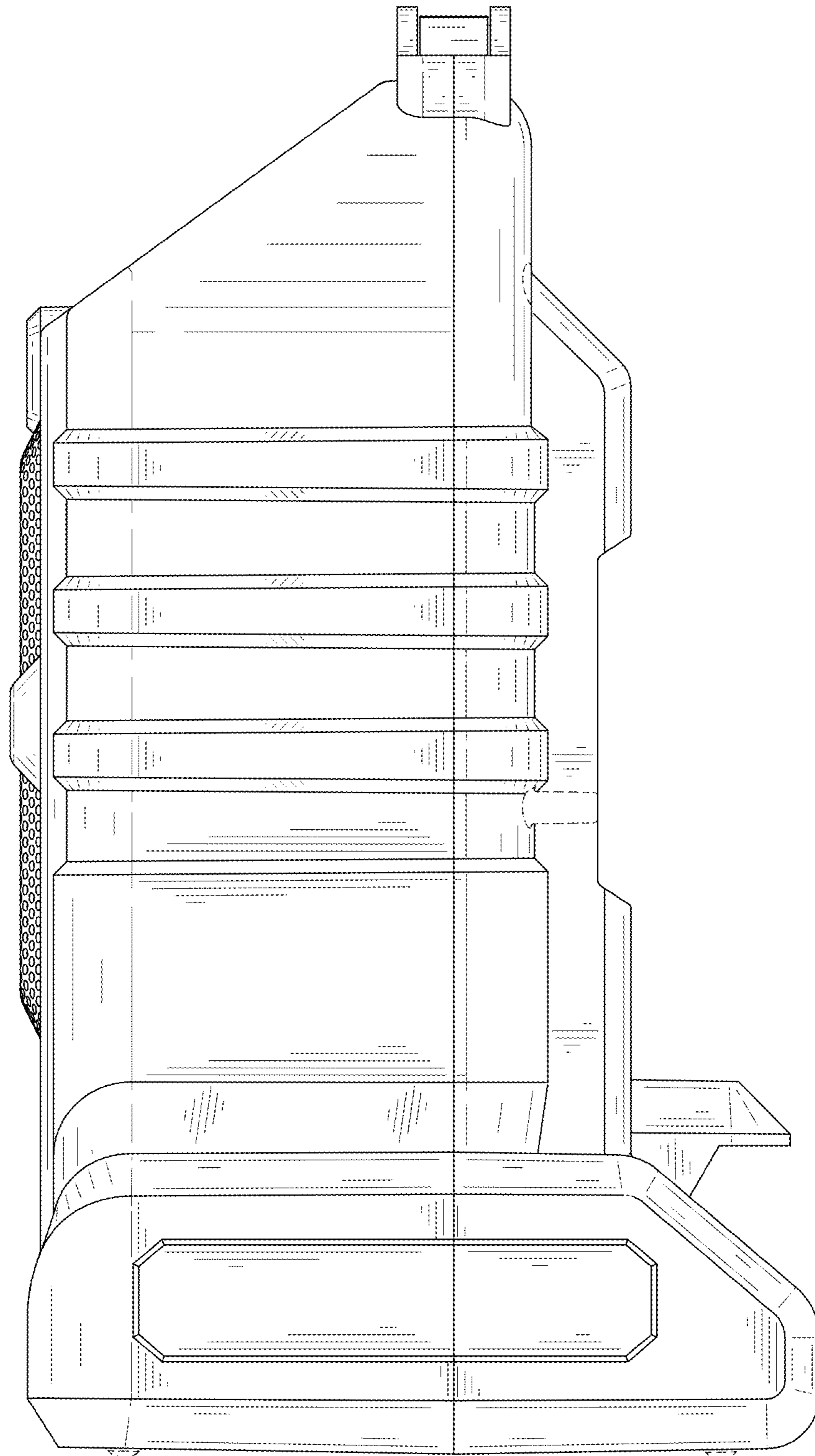


FIG. 5

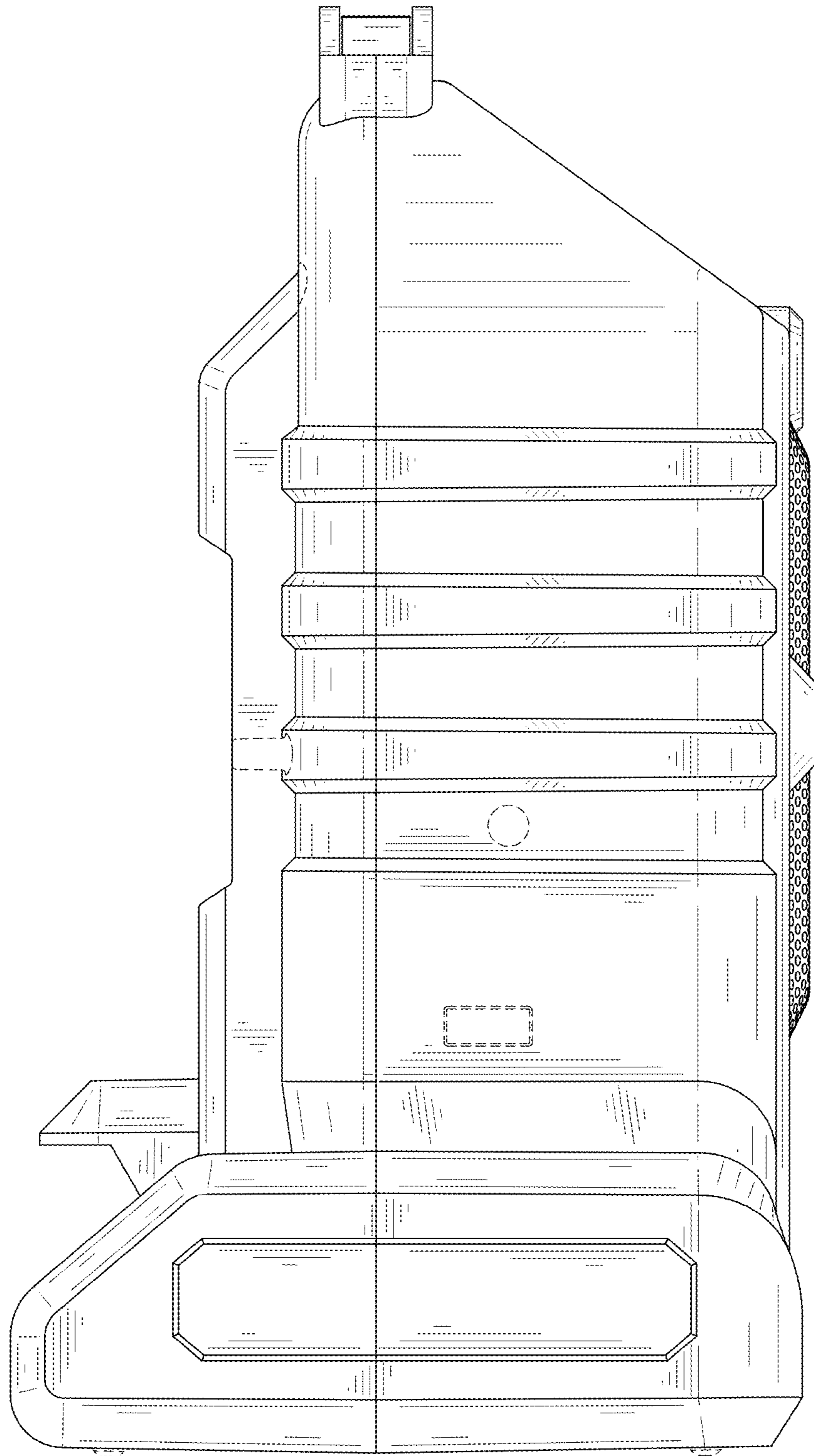


FIG. 6

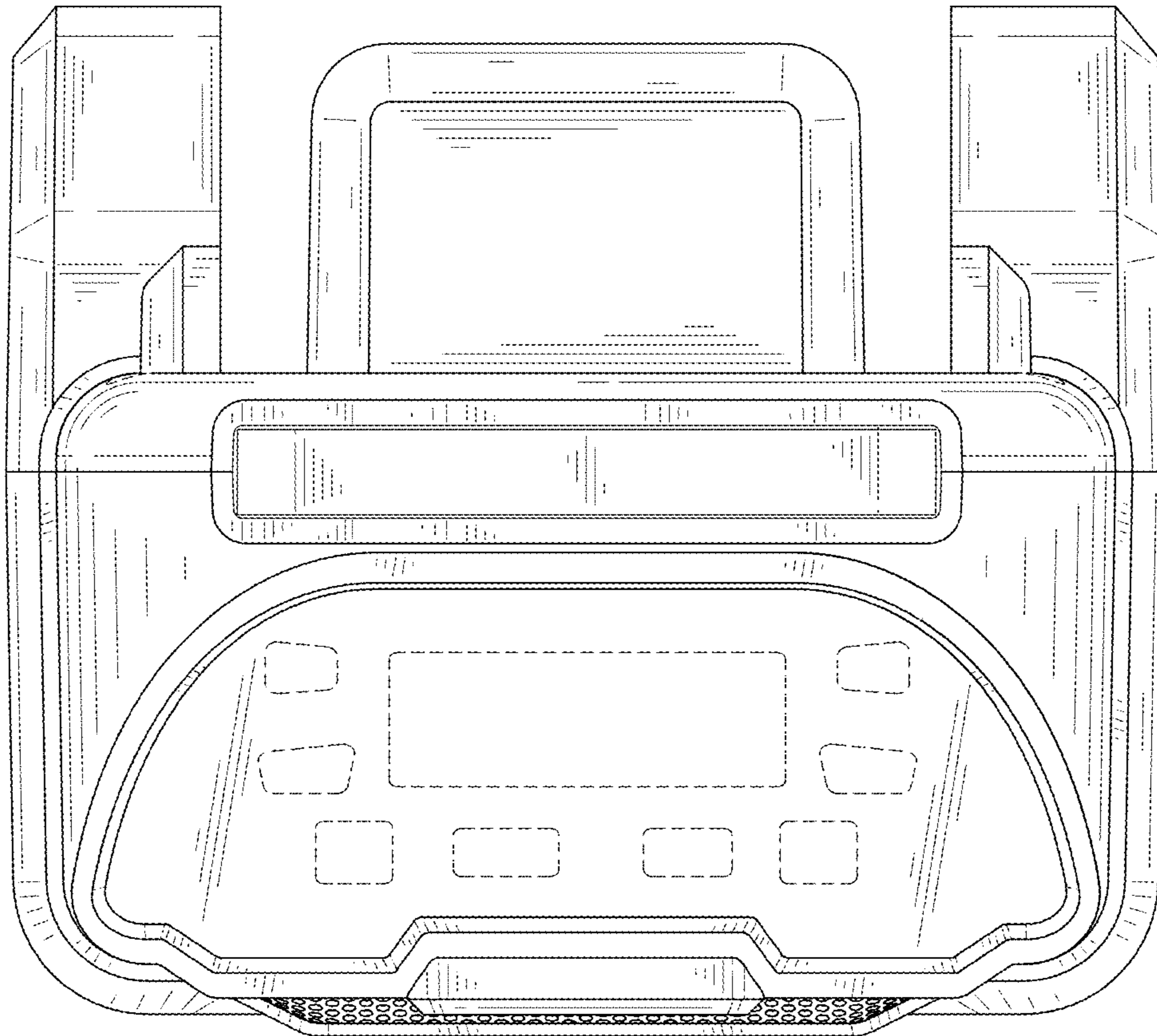


FIG. 7

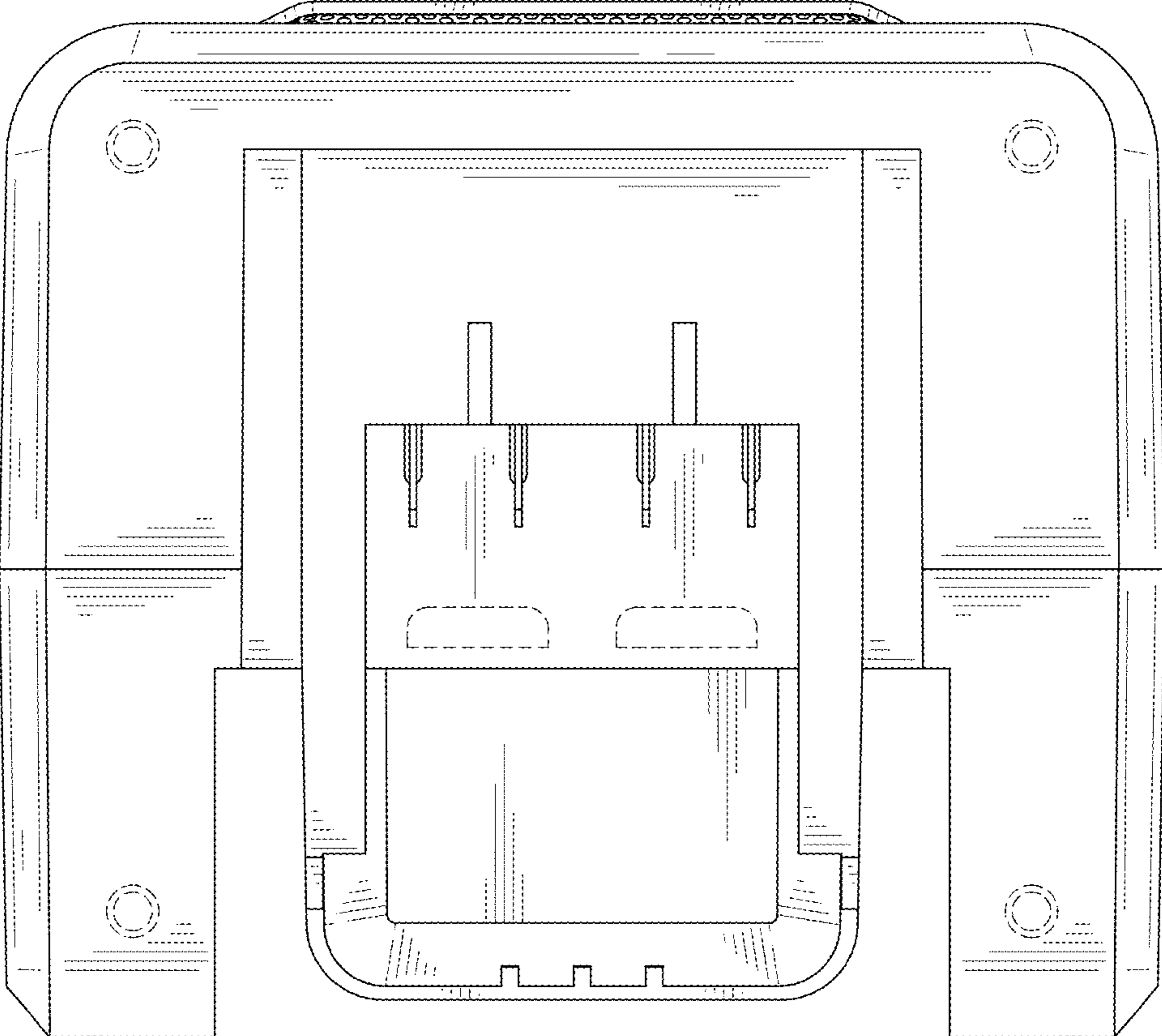


FIG. 8

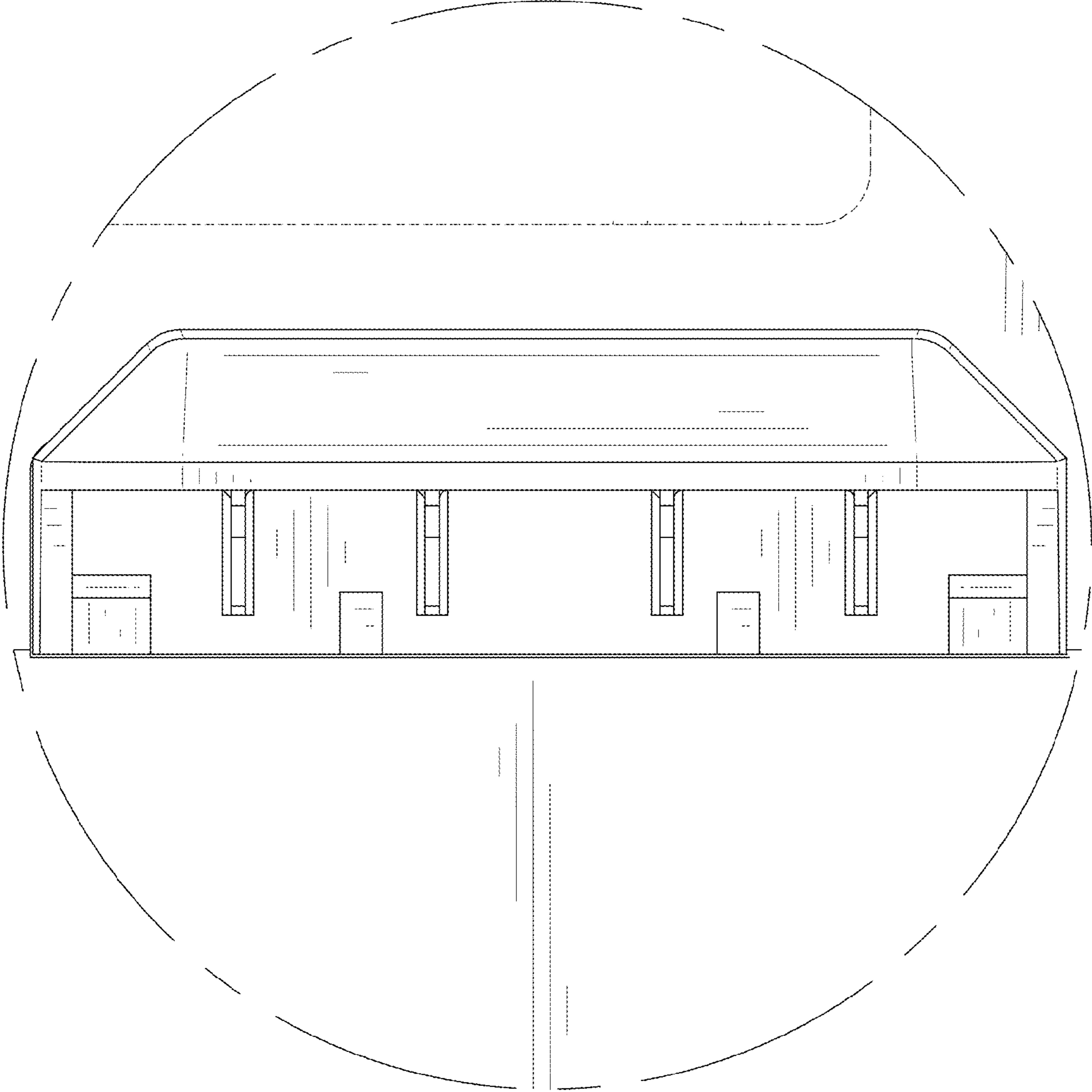


FIG. 9