



US00D892759S

(12) **United States Design Patent**
Zimmerman, III et al.

(10) **Patent No.:** **US D892,759 S**

(45) **Date of Patent:** **** Aug. 11, 2020**

(54) **SMALL CELL FOR MOUNTING ON A LIGHT POLE**

(71) Applicant: **Ubicquia LLC**, Wellington, FL (US)

(72) Inventors: **Ronald B. Zimmerman, III**, Wellington, FL (US); **Ian B. Aaron**, Wellington, FL (US)

(73) Assignee: **UBICQUIA LLC**, Fort Lauderdale, FL (US)

(**) Term: **15 Years**

(21) Appl. No.: **29/709,724**

(22) Filed: **Oct. 16, 2019**

Related U.S. Application Data

(62) Division of application No. 29/637,774, filed on Feb. 21, 2018, now Pat. No. Des. 868,016.

(51) **LOC (12) Cl.** **14-03**

(52) **U.S. Cl.**
USPC **D14/140.6**

(58) **Field of Classification Search**
USPC D14/140, 140.1, 140.2, 140.3, 140.4, D14/140.5, 140.6, 142, 155, 168, 230,
(Continued)

(56) **References Cited**

U.S. PATENT DOCUMENTS

D201,825 S 8/1965 Heenan
D214,706 S 7/1969 Kauffman

(Continued)

OTHER PUBLICATIONS

Mucci, "Top 3 wireless infrastructure service company trends," RCR Wireless News, Sep. 10, 2015. Retrieved on Oct. 23, 2019

from <https://www.rcwireless.com/20150910/workforce/top-3-wireless-infrastructure-service-company-trends-inside-telecom-careers-episode-12-tag1>.

(Continued)

Primary Examiner — Marie D. Fast Horse

(74) *Attorney, Agent, or Firm* — Seed IP Law Group LLP

(57) **CLAIM**

The ornamental design for a small cell for mounting on a light pole, as shown and described.

DESCRIPTION

FIG. 1 is a perspective view of a small cell for mounting on a light pole showing a first embodiment of our new design.

FIG. 2 is a top plan view thereof.

FIG. 3 is a bottom plan view thereof.

FIG. 4 is an enlarged scale partial cross-sectional view thereof taken along line 4-4 of FIG. 3.

FIG. 5 is a front elevational view thereof.

FIG. 6 is a rear elevational view thereof.

FIG. 7 is a left side elevational view thereof.

FIG. 8 is a right side elevational view thereof.

FIG. 9 is a perspective view of a small cell for mounting on a light pole showing a second embodiment of our new design.

FIG. 10 is a top plan view thereof.

FIG. 11 is a bottom plan view thereof.

FIG. 12 is an enlarged scale partial cross-sectional view thereof taken along line 12-12 of FIG. 11.

FIG. 13 is a front elevational view thereof.

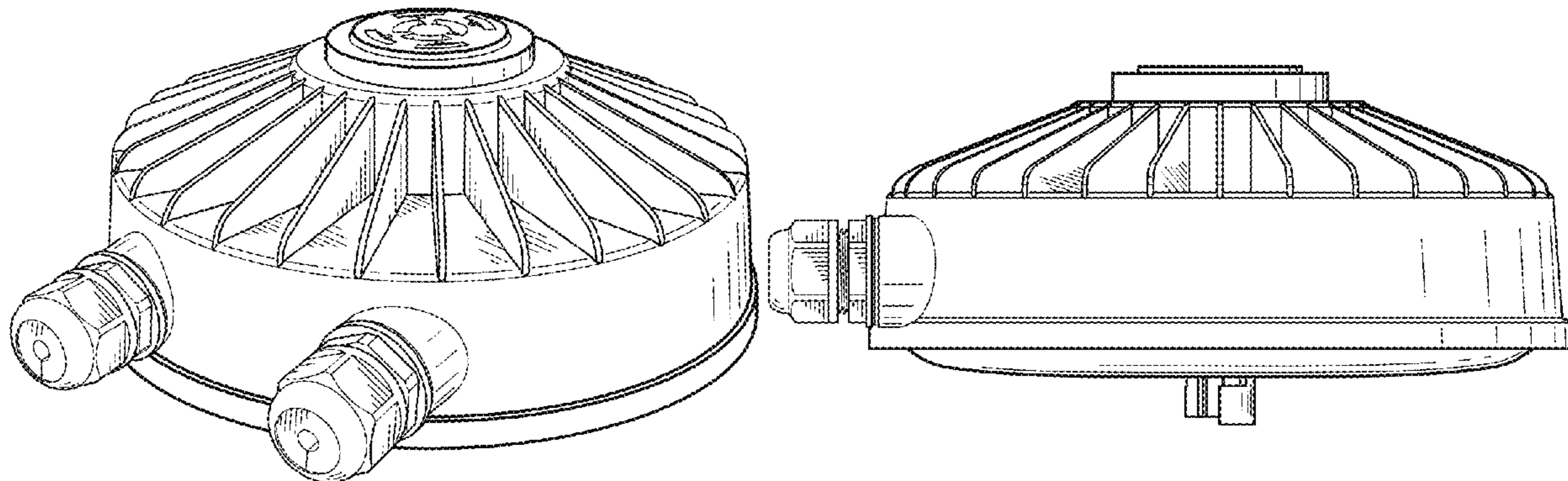
FIG. 14 is a rear elevational view thereof.

FIG. 15 is a left side elevational view thereof; and,

FIG. 16 is a right side elevational view thereof.

The dot-dash broken lines in FIGS. 3 and 11 define the boundary of the claim, which extends to the boundary but does not include the boundary; while all other broken lines depict portions of the small cell for mounting on a light pole that form no part of the claimed design.

1 Claim, 8 Drawing Sheets



(58) **Field of Classification Search**

USPC D14/233, 240, 242, 243, 255, 299, 496,
 D14/356, 358, 236; D13/123, 152, 154,
 D13/158, 184, 199, 101, 110, 111, 112,
 D13/114, 160; D10/46, 75, 103, 104.1,
 D10/121, 106.1, 106.6, 106.3, 109.1,
 D10/109.2, 111, 114.1, 114.2, 114.6,
 D10/114.8; D26/72, 80, 81, 85, 88, 67,
 D26/68-71, 113, 138
 CPC F21S 8/006; F21S 8/08; F21S 8/081; F21S
 8/032; F21S 8/085; F21S 8/086; F21S
 8/088; F21S 9/03; F21S 9/032; F21S
 9/035; F21S 9/037; F21V 23/04; F21V
 23/0435; F21W 2131/109; H04W 88/08;
 H04W 16/24; H04W 8/245; H04W
 84/042; H04W 84/045; H04W 84/047;
 H04M 1/72522; H04M 1/72525

See application file for complete search history.

D570,722 S 6/2008 Taylor
 7,406,298 B2* 7/2008 Luglio H04B 1/38
 340/500

D591,888 S 5/2009 Gill
 D591,889 S 5/2009 Gill
 D591,890 S 5/2009 Gill
 D591,891 S 5/2009 Gill
 D591,892 S 5/2009 Gill
 D592,088 S 5/2009 Miller
 D592,345 S 5/2009 Gill
 D592,346 S 5/2009 Gill
 D592,650 S 5/2009 Tsang et al.
 D598,316 S 8/2009 Kuwano
 D601,053 S 9/2009 Ferrie et al.
 D604,279 S 11/2009 Chen et al.
 D605,965 S 12/2009 Jackson
 D608,232 S 1/2010 Duran Neira et al.
 D608,673 S 1/2010 Arosio
 D612,760 S 3/2010 Chen et al.
 D616,777 S 6/2010 Jackson
 D619,992 S 7/2010 Wayman
 D621,812 S 8/2010 Wayman
 D622,709 S 8/2010 Hern et al.
 D623,633 S 9/2010 Bliss et al.
 D624,448 S 9/2010 Jackson
 D626,442 S 11/2010 Jackson
 D627,911 S 11/2010 Mo et al.
 D634,308 S 3/2011 Bliss et al.
 D638,001 S 5/2011 Nakhjiri et al.
 D641,647 S 7/2011 Wu
 D647,812 S 11/2011 Kuwano et al.
 D648,241 S 11/2011 Kuwano et al.
 D650,115 S 12/2011 Kim et al.
 D650,513 S 12/2011 Blincoe et al.
 D651,110 S 12/2011 Kuwano
 D651,111 S 12/2011 Kuwano
 D651,112 S 12/2011 Kuwano
 D651,113 S 12/2011 Kuwano et al.
 D652,334 S 1/2012 Kuwano et al.
 D666,583 S 9/2012 Le et al.
 D668,981 S 10/2012 Hsiao
 D668,982 S 10/2012 Hsiao
 D674,787 S 1/2013 Tsuda et al.
 D674,788 S 1/2013 Tsuda et al.
 D680,893 S 4/2013 Adams
 D684,078 S 6/2013 Clifford et al.
 D690,450 S 9/2013 Guercio et al.
 D694,740 S 12/2013 Apostolakis
 D696,642 S 12/2013 Jia et al.
 D701,466 S 3/2014 Clifford et al.
 D706,152 S 6/2014 Ni et al.
 D709,782 S 7/2014 Stuffle
 D713,092 S 9/2014 Smith et al.
 D713,816 S 9/2014 Fleetwood et al.
 D720,247 S 12/2014 Covelli et al.
 D729,214 S 5/2015 Beaudoin
 D733,107 S 6/2015 Porter
 D744,985 S 12/2015 Schulz et al.
 D744,986 S 12/2015 Huerta et al.
 D749,974 S 2/2016 Hoßbach et al.
 D751,534 S 3/2016 Lenz et al.
 D757,588 S 5/2016 Stuffle
 9,362,629 B2 6/2016 Hinman et al.
 D772,206 S 11/2016 Lasier et al.
 D772,850 S 11/2016 Söfström
 D790,514 S 6/2017 Woodward et al.
 D791,109 S 7/2017 Wallace et al.
 D794,635 S 8/2017 Nimre
 D806,691 S 1/2018 Andersson
 D817,914 S 5/2018 Britz et al.
 D823,839 S 7/2018 Emery
 D829,696 S 10/2018 Wallace et al.
 D833,312 S 11/2018 Alonso
 D844,581 S 4/2019 Zhou
 10,312,650 B2* 6/2019 Siacotos H01R 33/96
 D856,962 S* 8/2019 Hart D14/155
 D867,319 S* 11/2019 Aaron D14/140.6
 D867,320 S* 11/2019 Aaron D14/140.6
 D867,321 S* 11/2019 Zimmerman, III D14/140.6

(56) **References Cited**

U.S. PATENT DOCUMENTS

D227,785 S 7/1973 Kaysen
 D237,369 S 10/1975 Lowndes
 D239,517 S 4/1976 Lowndes
 D242,778 S 12/1976 Goble et al.
 D242,779 S 12/1976 Goble et al.
 D242,942 S 1/1977 Brudy et al.
 4,503,360 A 3/1985 Bedel
 D286,988 S 12/1986 Akiyama et al.
 4,731,551 A* 3/1988 Gibbs H05B 47/16
 307/141
 4,804,972 A 2/1989 Schudel
 D310,064 S 8/1990 Cheng
 D311,540 S 10/1990 Wickrema et al.
 D327,691 S 7/1992 Ogawa et al.
 D333,661 S 3/1993 Elliott et al.
 D336,864 S 6/1993 Gottlieb
 D346,170 S 4/1994 Tang
 D347,436 S 5/1994 Tang
 D349,256 S 8/1994 Bellinger et al.
 D390,566 S 2/1998 Martek et al.
 D401,175 S 11/1998 Bender et al.
 D402,991 S 12/1998 Mosser
 D404,325 S 1/1999 Bender et al.
 D404,326 S 1/1999 Bender et al.
 D411,640 S 6/1999 Lueken et al.
 D412,676 S 8/1999 Layes
 D436,101 S 1/2001 McGovern et al.
 D437,243 S 2/2001 Cessac
 D440,890 S 4/2001 Warner et al.
 D442,947 S 5/2001 Warner et al.
 D453,329 S 2/2002 Muramatsu
 D455,735 S 4/2002 Winslow
 D457,518 S 5/2002 Wilson
 D462,070 S 8/2002 Wilson
 D462,675 S 9/2002 Kusz et al.
 D466,496 S 12/2002 McDonald et al.
 D467,242 S 12/2002 Warner et al.
 D468,731 S 1/2003 Wilson
 D486,146 S 2/2004 Dearnley
 D493,169 S 7/2004 Cheng
 D493,447 S 7/2004 Noro et al.
 D513,477 S 1/2006 Heftman
 D519,860 S 5/2006 Bugbee
 D525,231 S 7/2006 McMillen et al.
 D531,626 S 11/2006 Agrawal et al.
 D543,540 S 5/2007 Westerling et al.
 D543,975 S 6/2007 McCown
 D544,805 S 6/2007 Corrigan et al.
 D550,659 S 9/2007 Noro
 D557,260 S 12/2007 Westerling et al.
 D560,533 S 1/2008 Dueker et al.
 D566,698 S 4/2008 Choi et al.

(56)

References Cited

U.S. PATENT DOCUMENTS

D868,015 S * 11/2019 Zimmerman, III D14/140.6
D868,016 S * 11/2019 Zimmerman, III D14/140.6
D868,017 S * 11/2019 Aaron D14/140.6
D868,722 S * 12/2019 Zimmerman, III D14/140.6
D871,361 S * 12/2019 Aaron D14/140.6
D875,705 S * 2/2020 Zimmerman, III D14/140.6
2014/0155054 A1 6/2014 Henry et al.
2015/0124100 A1 5/2015 McRory
2018/0045388 A1 2/2018 McDowell et al.
2018/0172229 A1 6/2018 Lockwood et al.
2018/0172243 A1 6/2018 Clynne et al.
2018/0279445 A1 9/2018 Harwood
2018/0292056 A1 10/2018 Kim
2018/0323503 A1 11/2018 Bouchard
2020/0088390 A1* 3/2020 Stegeman F21S 8/086

OTHER PUBLICATIONS

“Smart Lighting-Ubicell” Ubicquia, from http://www.ubicquia.com/wp-content/uploads/2019/01/word_press_product_ubicell.png Retrieved Jun. 14, 2019.

“Smart Connectivity-Ubicell” Ubicquia retrieved on Jun. 14, 2019 from http://www.ubicquia.com/wp-content/uploads/2019/01/word_press_product_ubihub.png.

“UbicellL-ubihub—ubimetro” Facebook, Uploaded Feb. 26, 2018. retrieved on Jun. 14, 2019 <https://www.facebook.com/ubicquia/photos/a.367486246971918/542412166145991/?type=3&theater>.

* cited by examiner

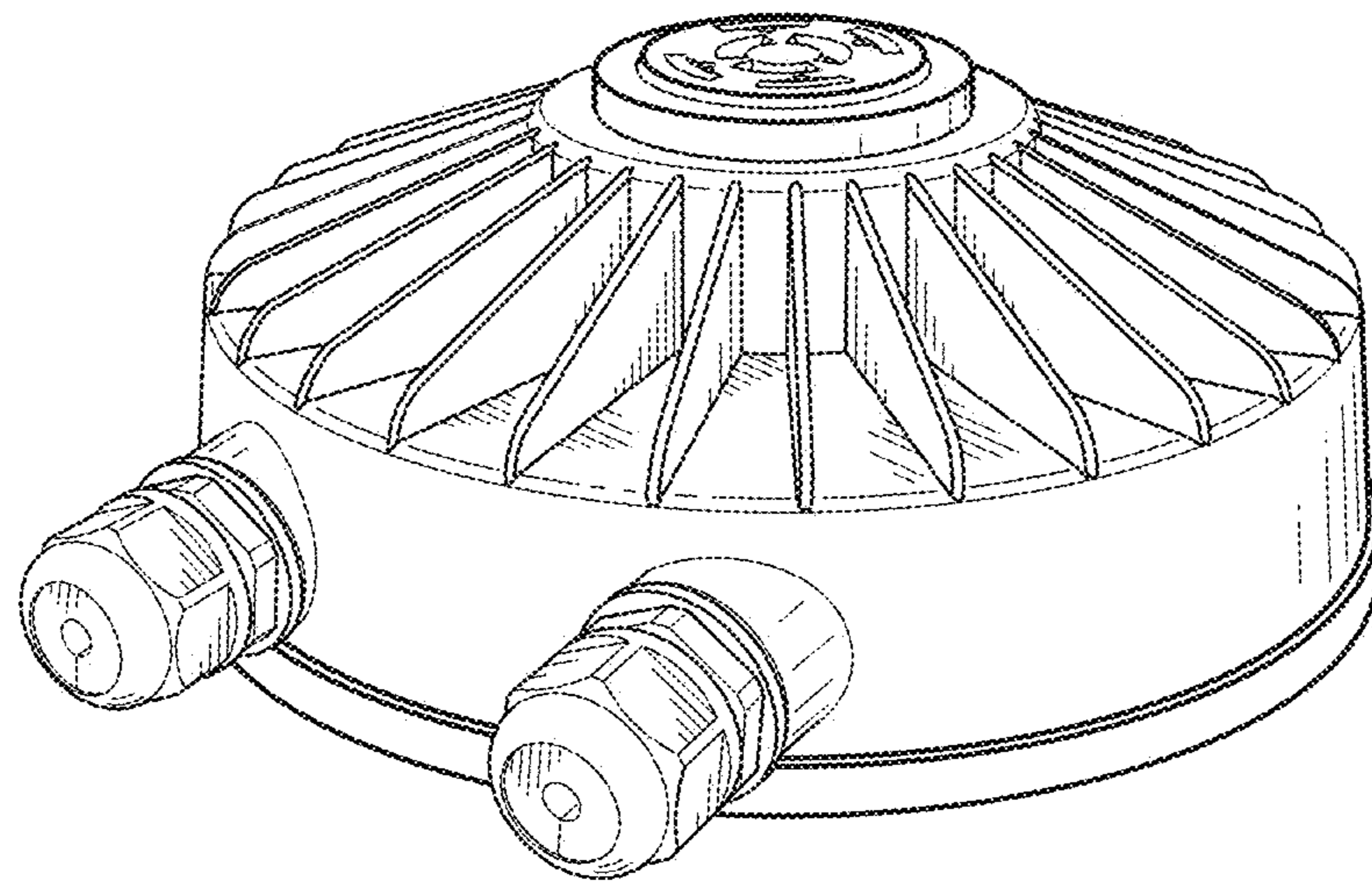


FIG. 1

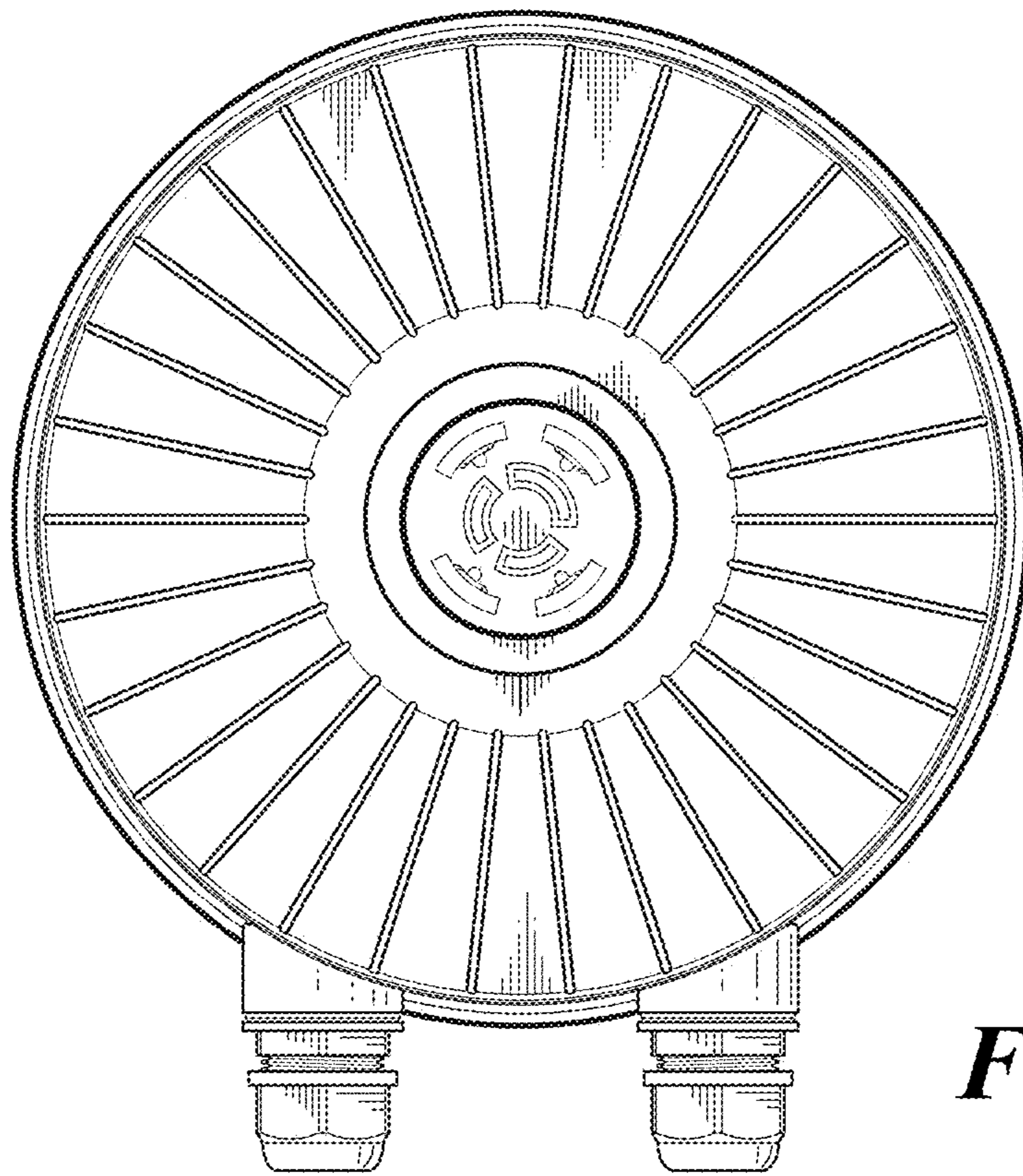


FIG. 2

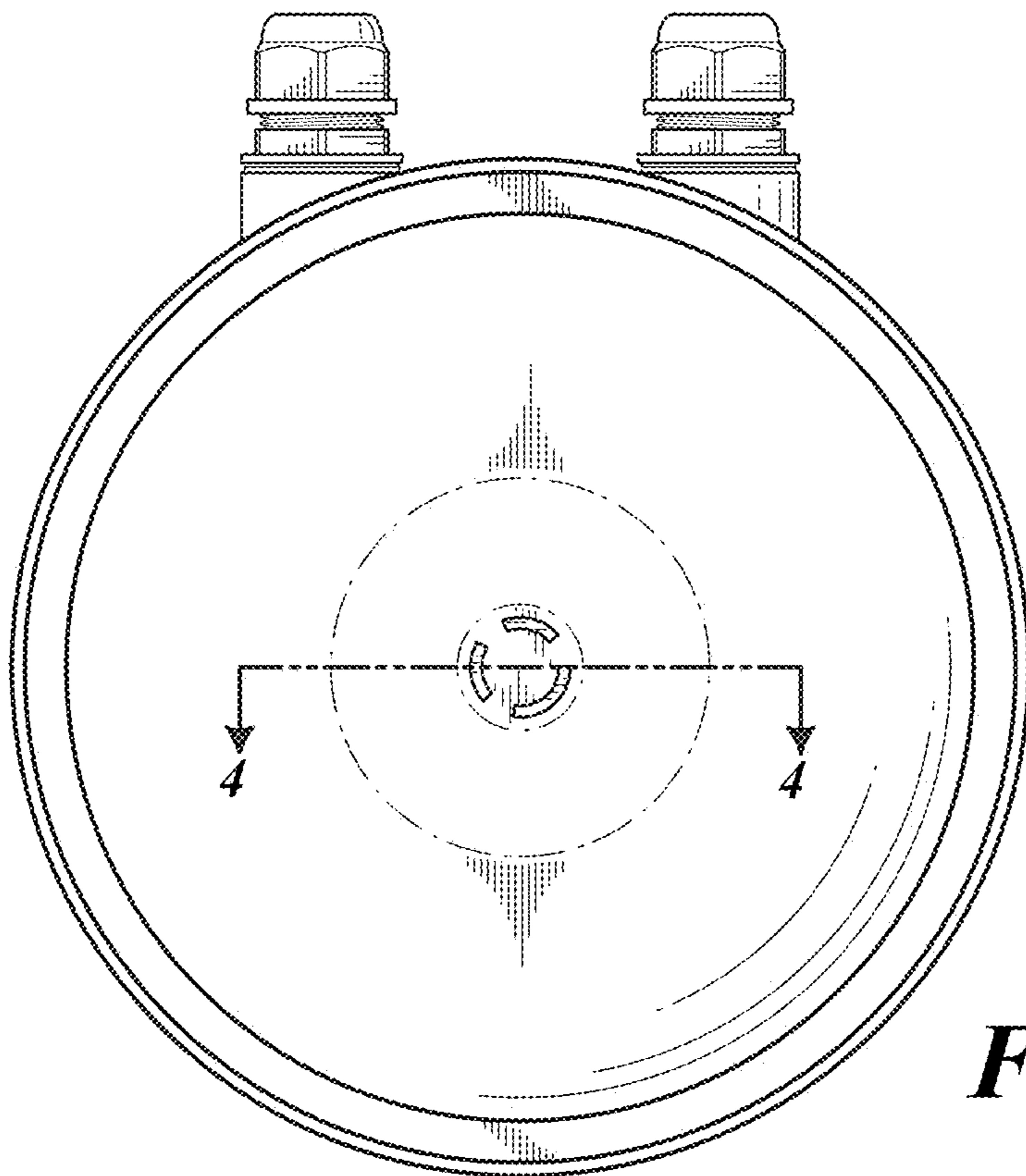


FIG. 3

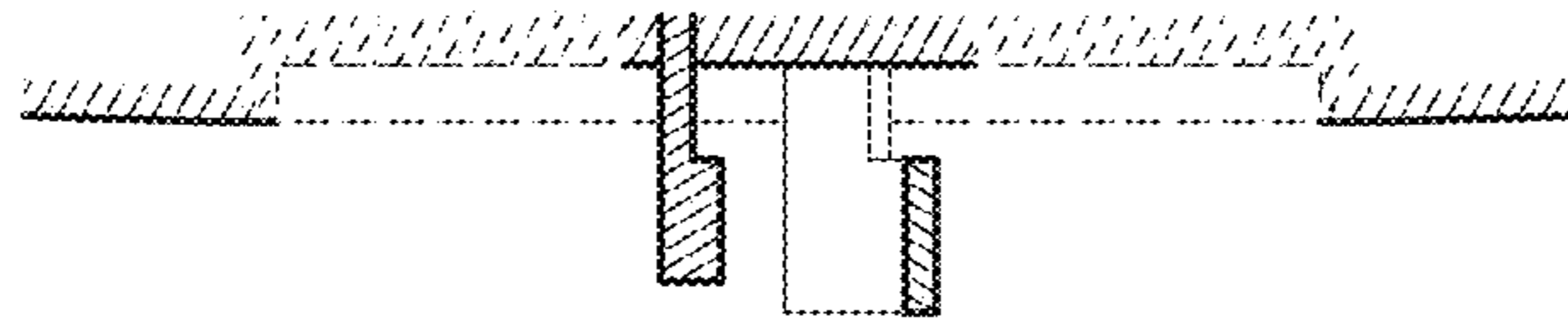


FIG. 4

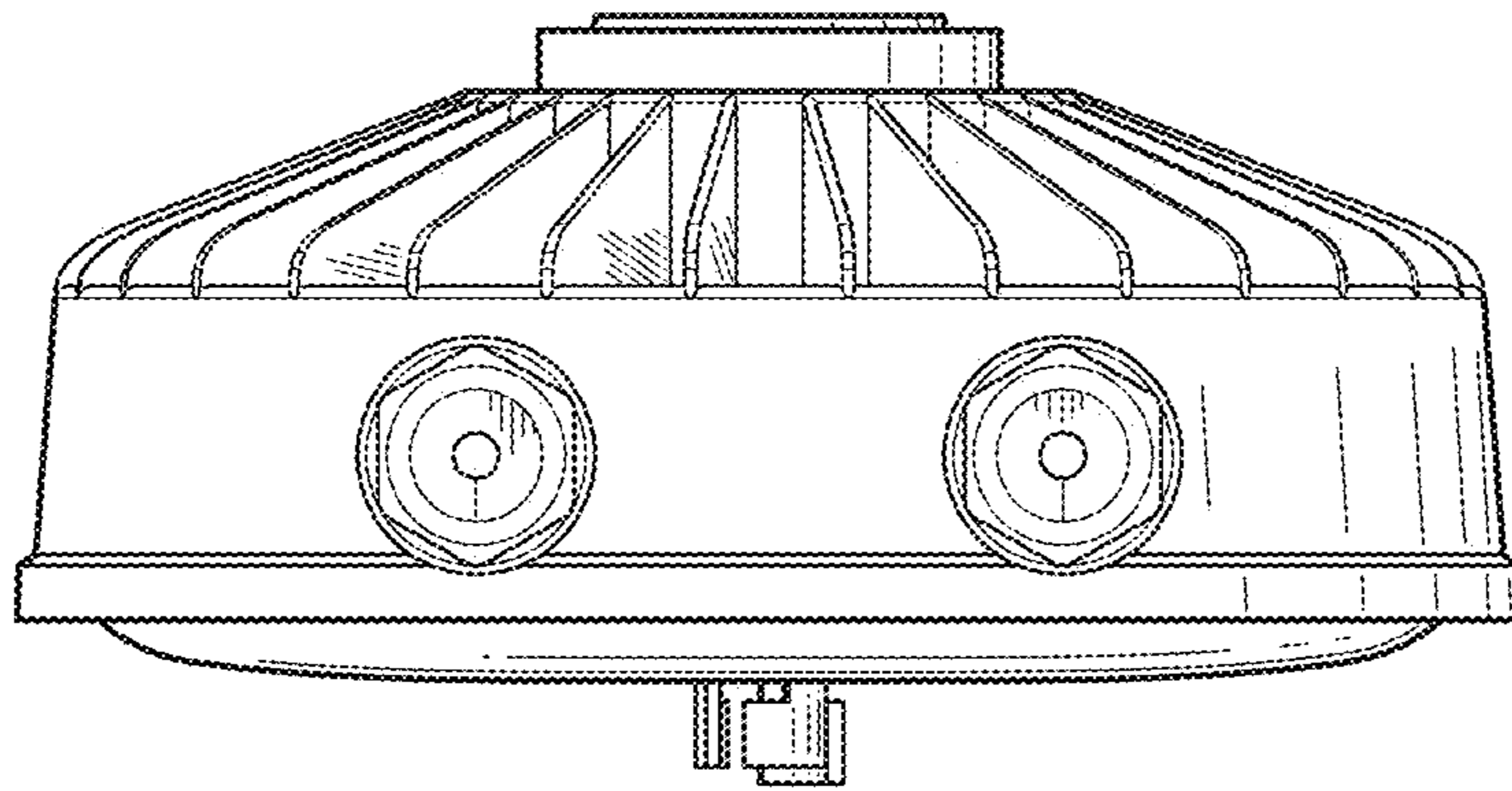


FIG. 5

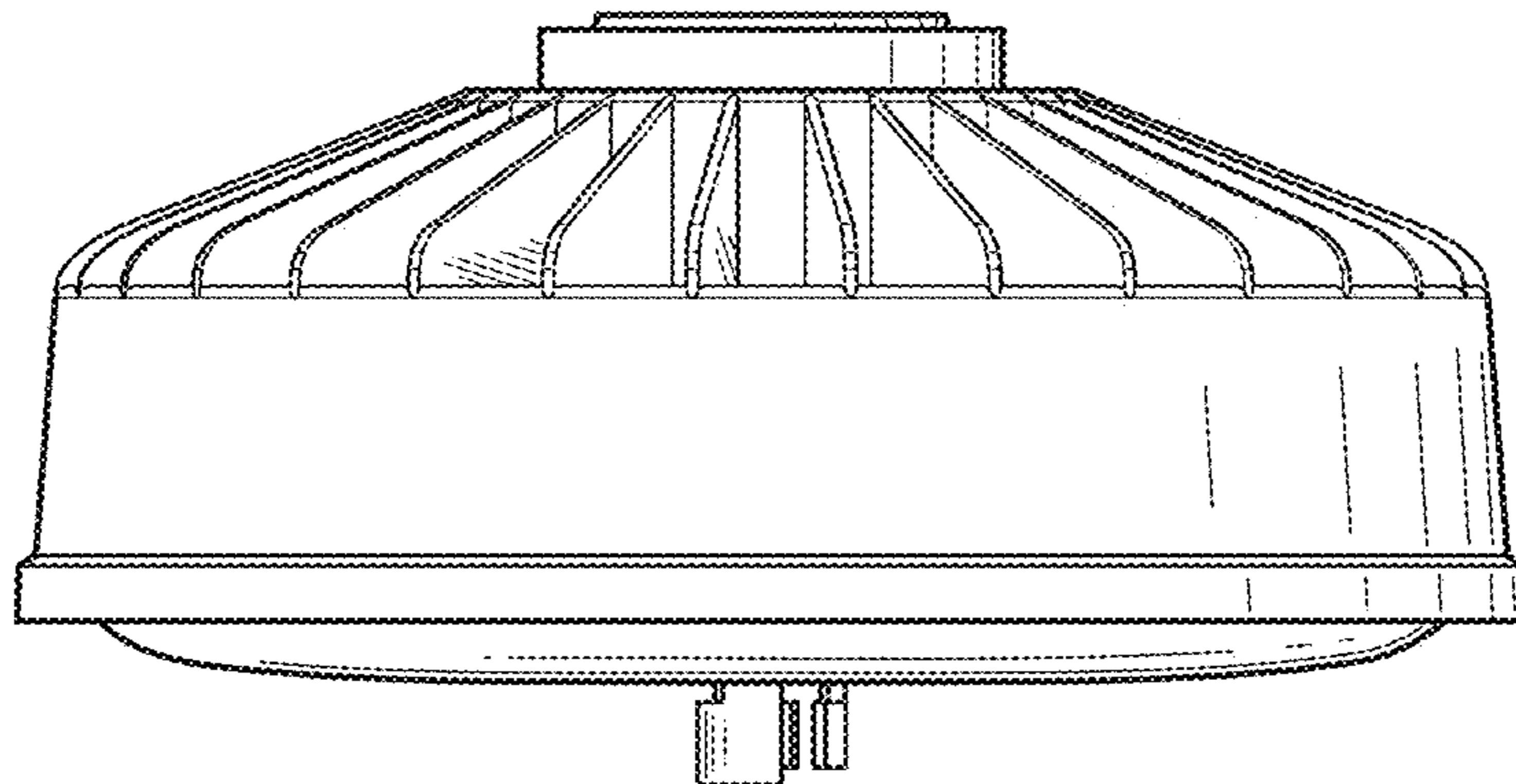


FIG. 6

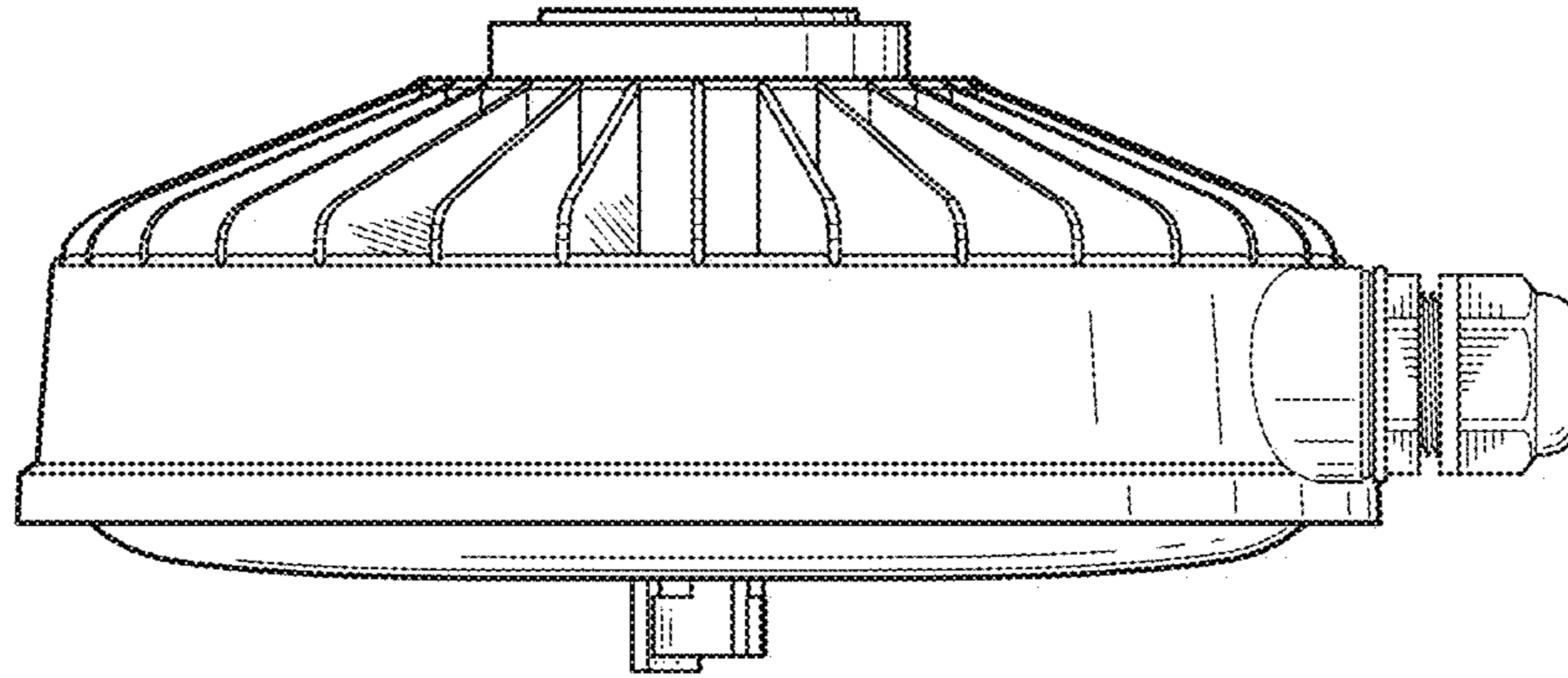


FIG. 7

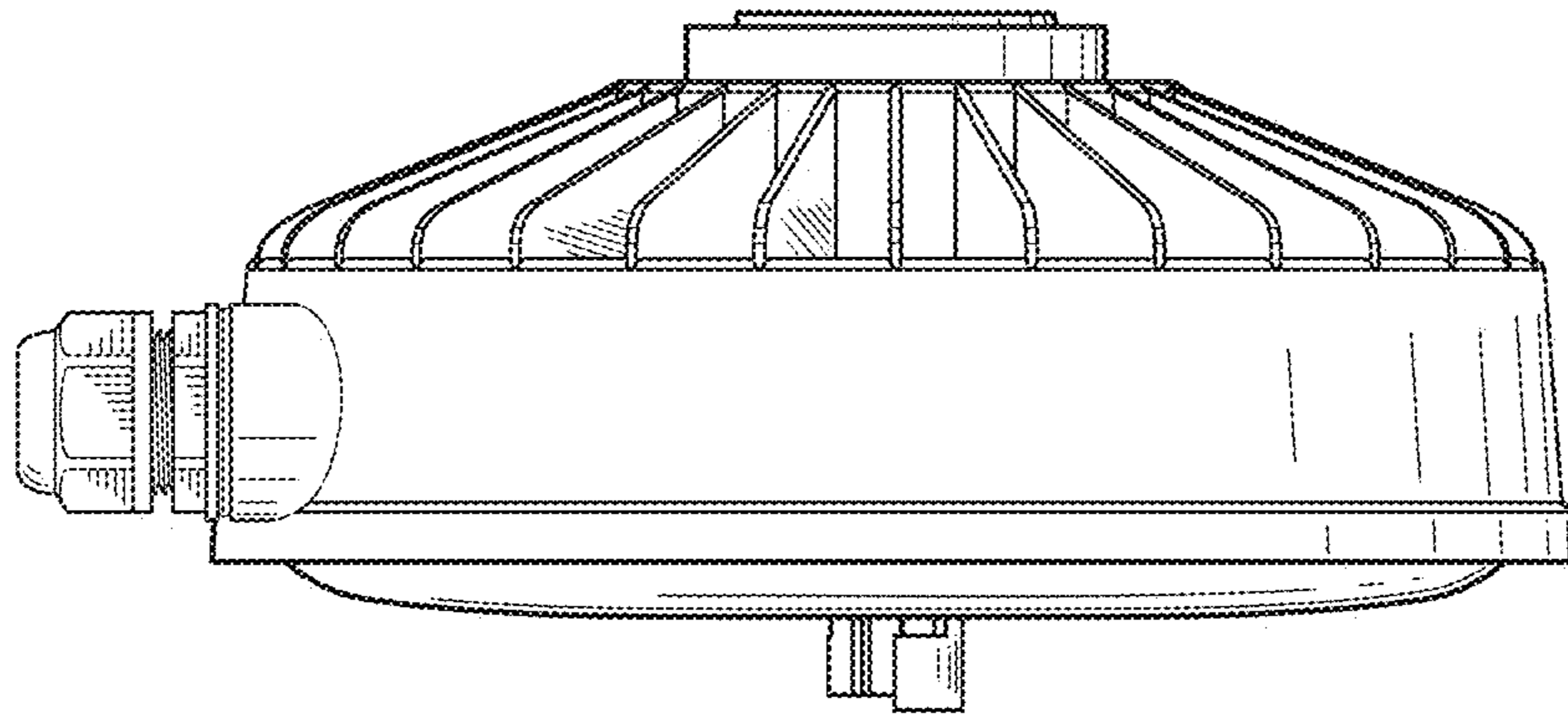


FIG. 8

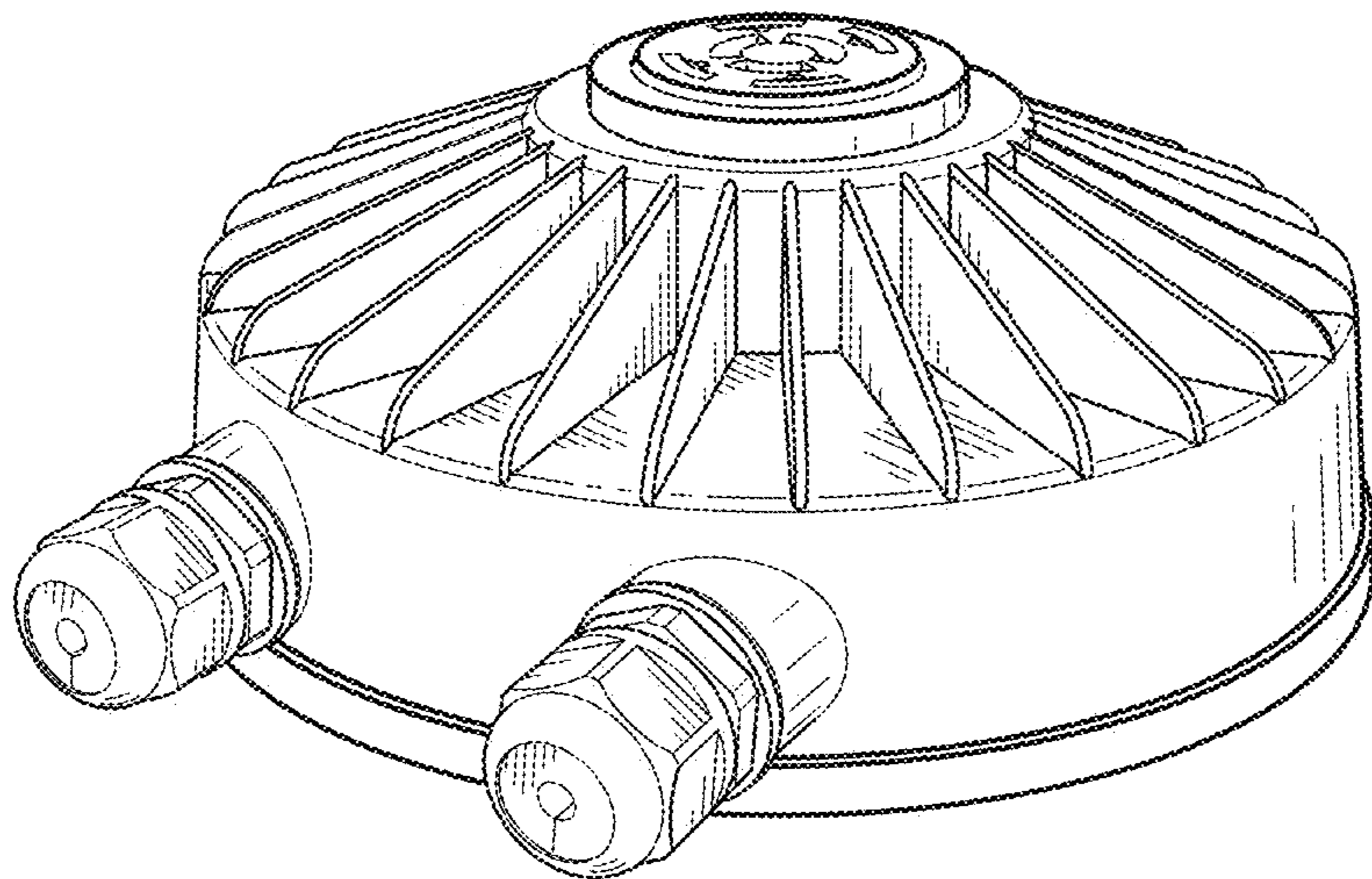


FIG. 9

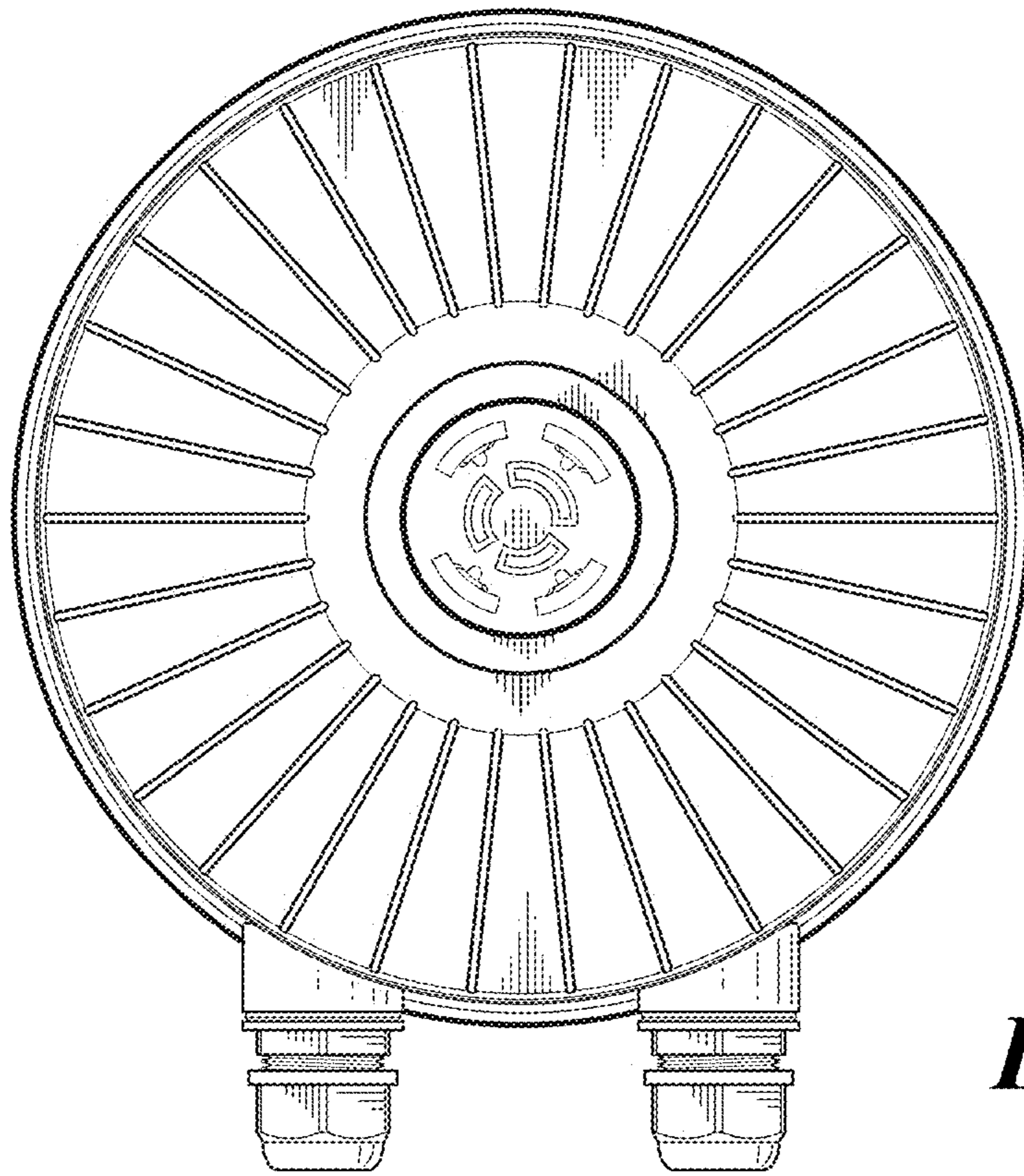


FIG. 10

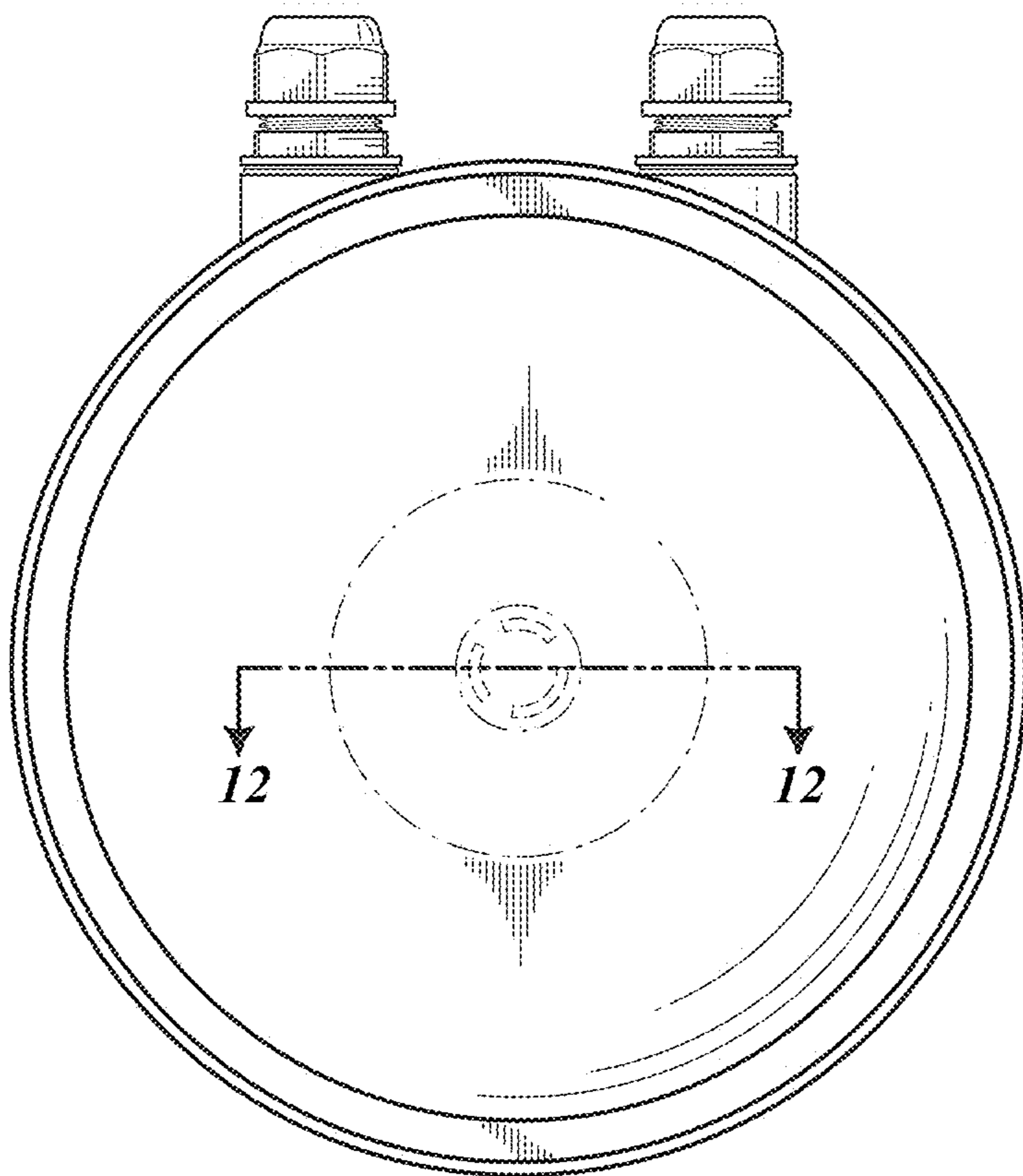


FIG. 11

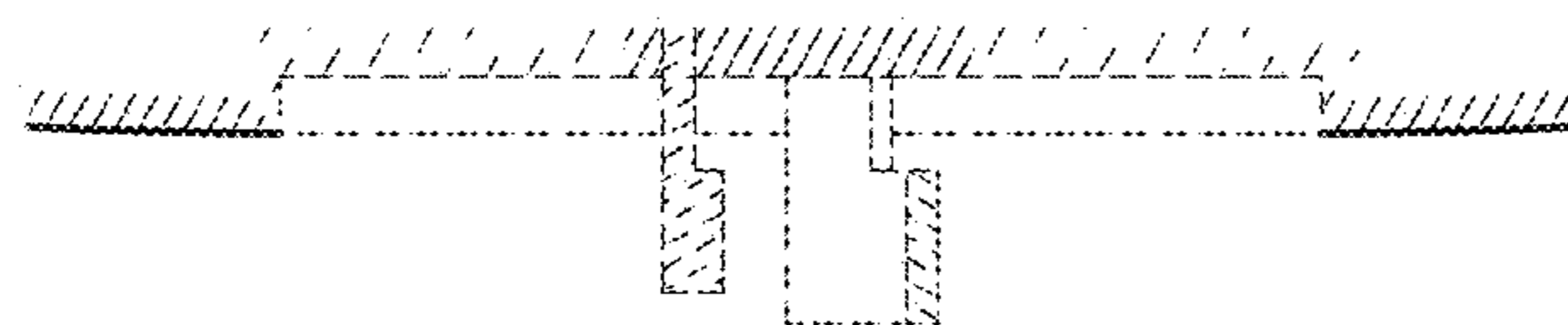


FIG. 12

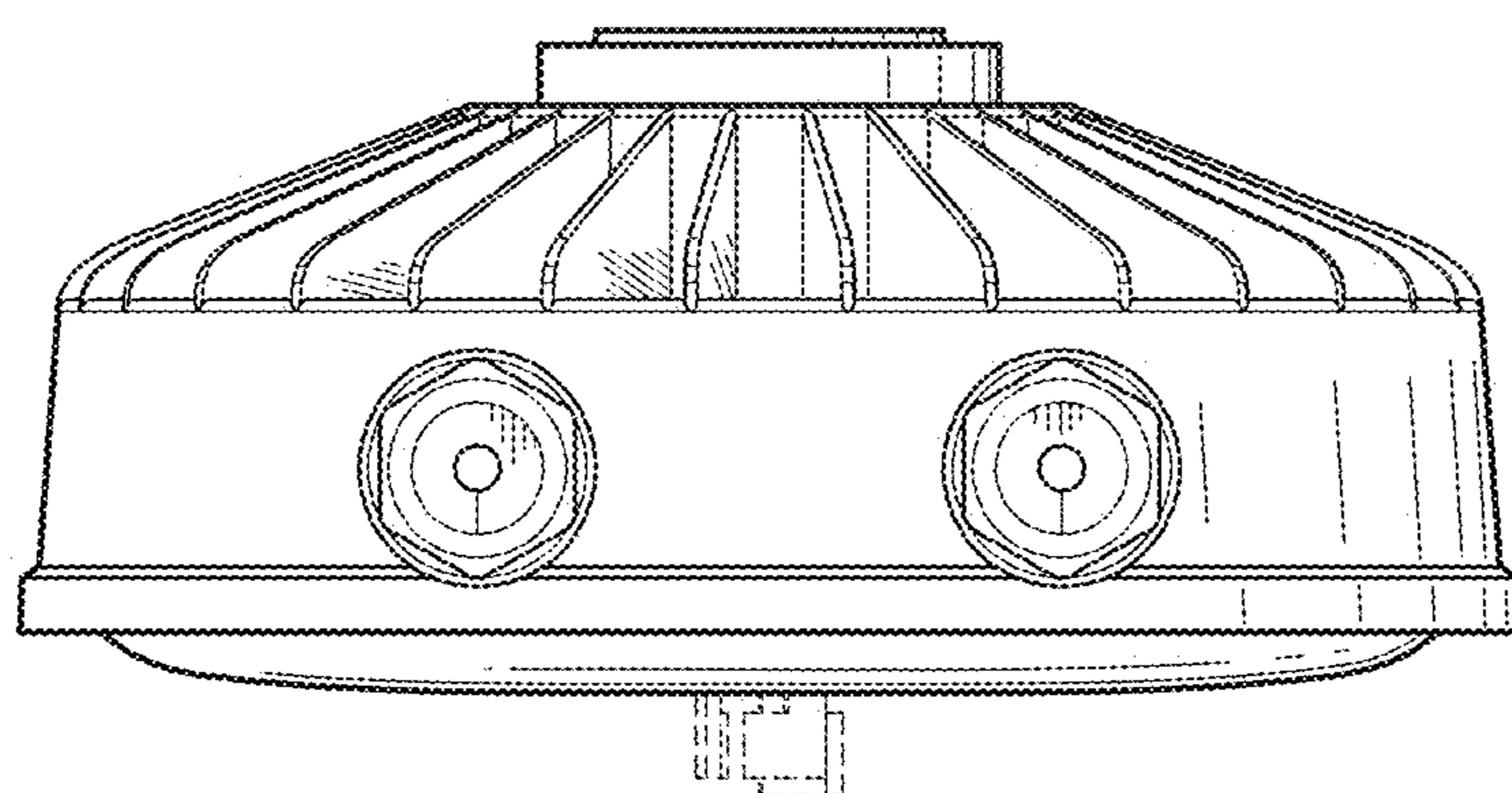


FIG. 13

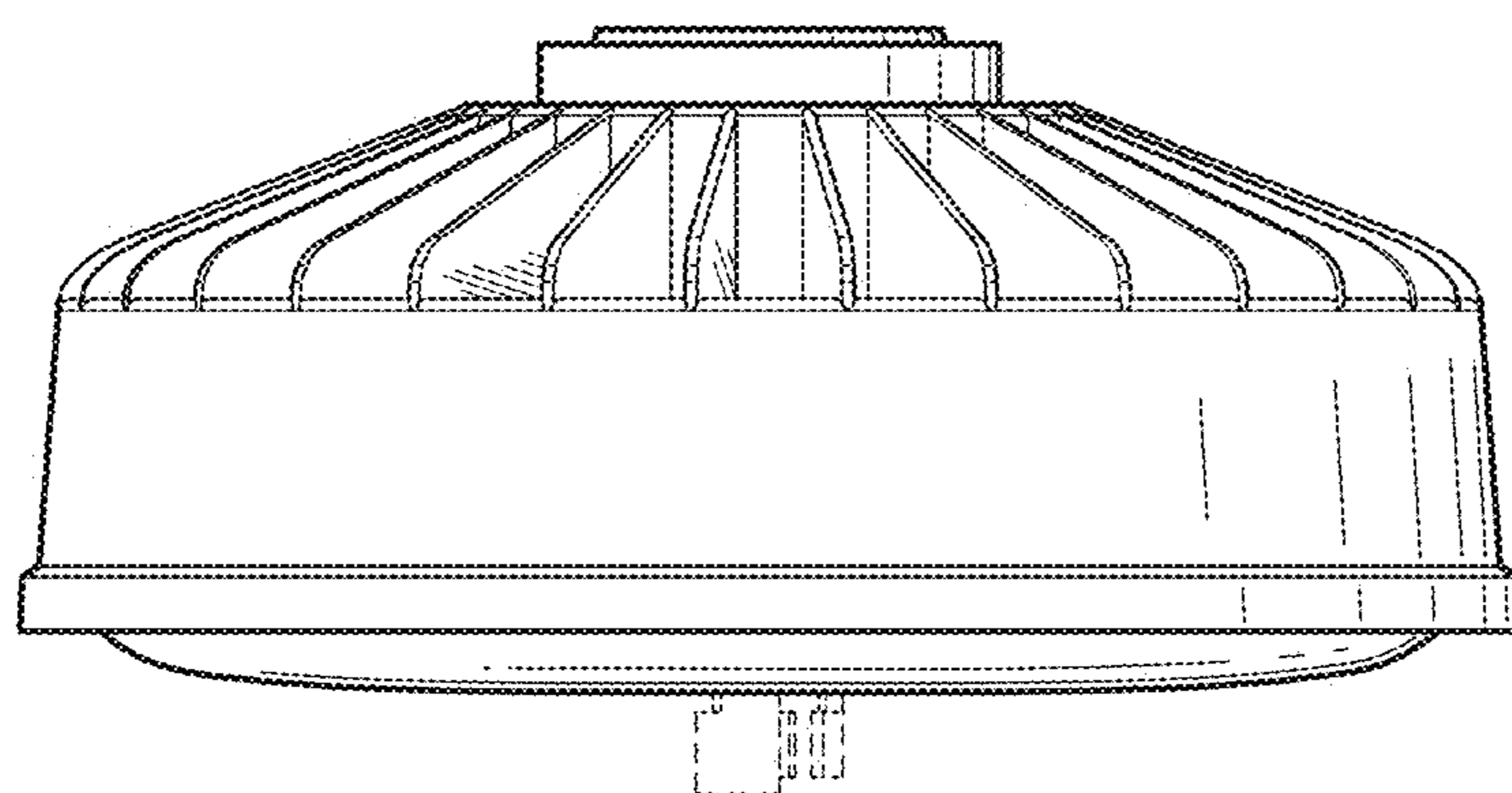


FIG. 14

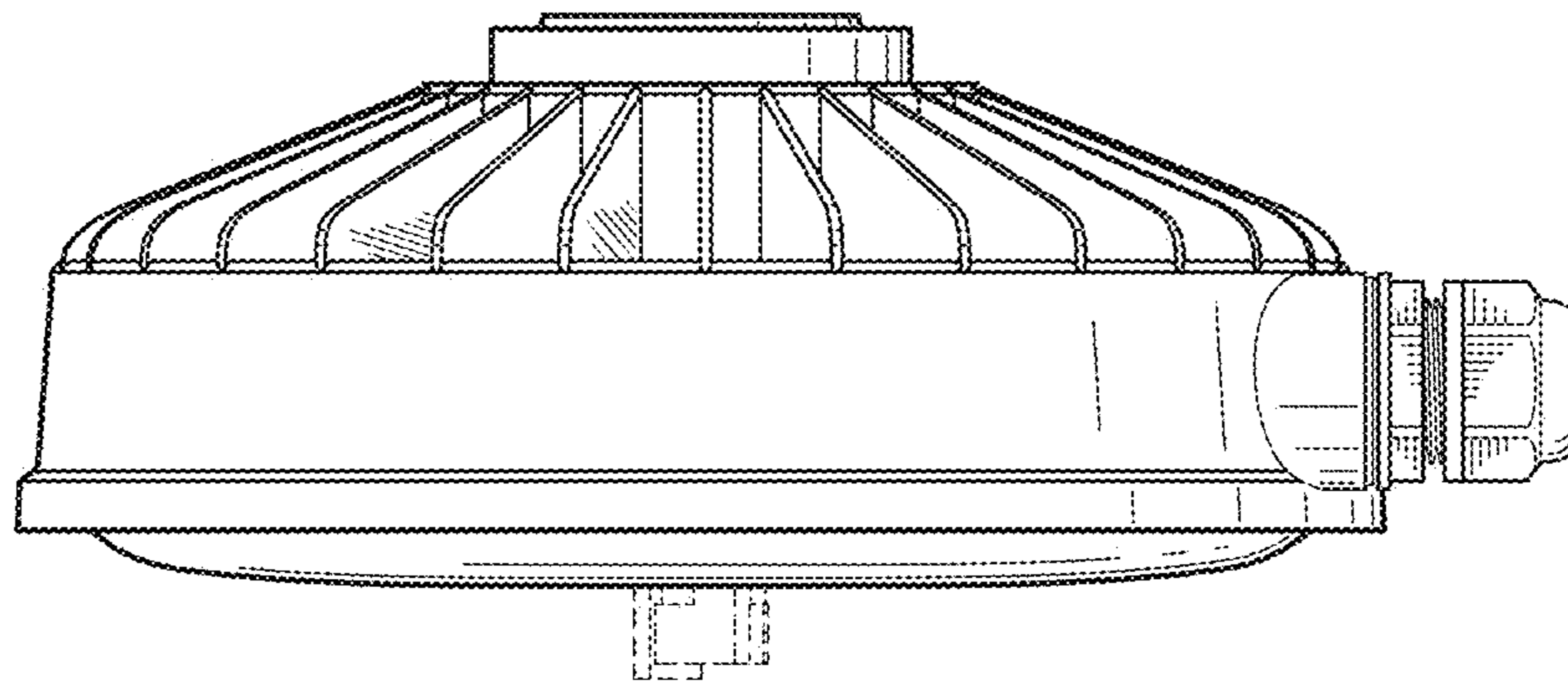


FIG. 15

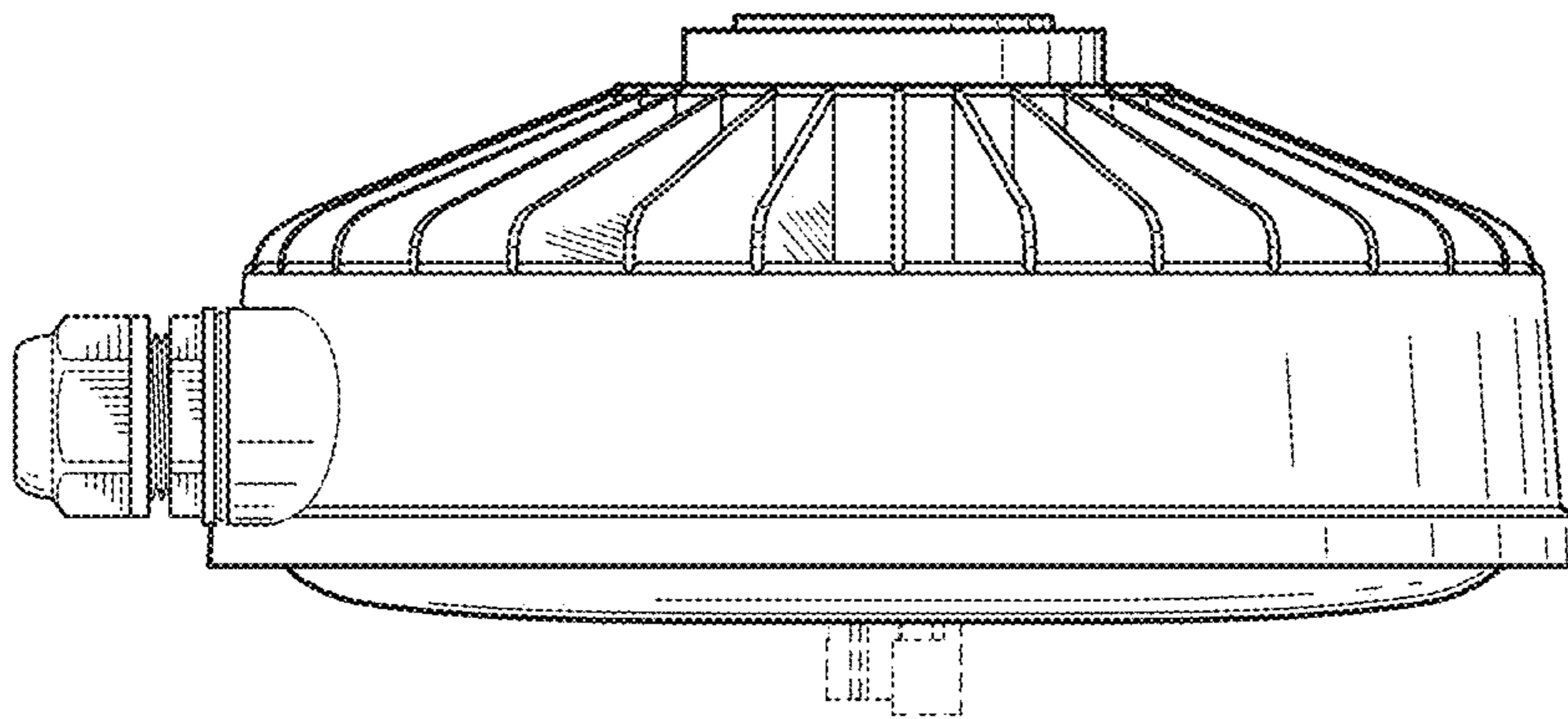


FIG. 16