



US00D892757S

(12) **United States Design Patent** (10) **Patent No.:** **US D892,757 S**  
**Pang** (45) **Date of Patent:** **\*\* Aug. 11, 2020**

(54) **WALKIE TALKIE**  
(71) Applicant: **Dongguan Junmeirui Information and Technology Co., Ltd.**, Guangdong (CN)

D731,452 S \* 6/2015 Yong ..... D14/137  
D816,632 S \* 5/2018 Yamamoto ..... D14/137  
D834,432 S \* 11/2018 Wang ..... D10/78  
D835,860 S \* 12/2018 Li ..... D30/199  
D862,812 S \* 10/2019 Jia ..... D30/199  
(Continued)

(72) Inventor: **Chengyi Pang**, Guangdong (CN)  
(73) Assignee: **Dongguan Junmeirui Information and Technology Co., Ltd.**, Guangdong (CN)

FOREIGN PATENT DOCUMENTS

EM 005510575-0001 \* 8/2018  
EM 006530135-0003 \* 6/2019  
(Continued)

(\*\*) Term: **15 Years**

OTHER PUBLICATIONS

(21) Appl. No.: **29/654,084**  
(22) Filed: **Jun. 21, 2018**  
(51) **LOC (12) Cl.** ..... **14-03**  
(52) **U.S. Cl.**  
USPC ..... **D14/137**  
(58) **Field of Classification Search**  
USPC ..... D14/137, 138 AA, 147, 148, 218, 155,  
D14/159, 142, 225, 226, 191, 188, 192,  
D14/194-198; D21/517; D10/104.1,  
D10/104.2, 106.1, 65; D13/168;  
D30/199  
CPC ..... H04B 1/3833; H04B 1/3827; H04B  
2001/3861; H04M 1/0202; H04M 1/03;  
H04M 1/035; G08B 21/0202  
See application file for complete search history.

FLOUREON Rechargeable Walkie Talkies Two-Way Radio . . . by FLOUREON, first available on amazon.com Aug. 20, 2018, [online] , [site visited May 14, 2020]. Available from Internet, <URL: <https://www.amazon.co.uk/FLOUREON-Talkies-Interphone-Rechargeable-Survival-2-Pack-Orange/dp/B07GN65GJ3>>.\*  
(Continued)

*Primary Examiner* — Jeffrey D Asch  
(74) *Attorney, Agent, or Firm* — JCIPRNET

(57) **CLAIM**

The ornamental design for a walkie talkie, as shown and described.

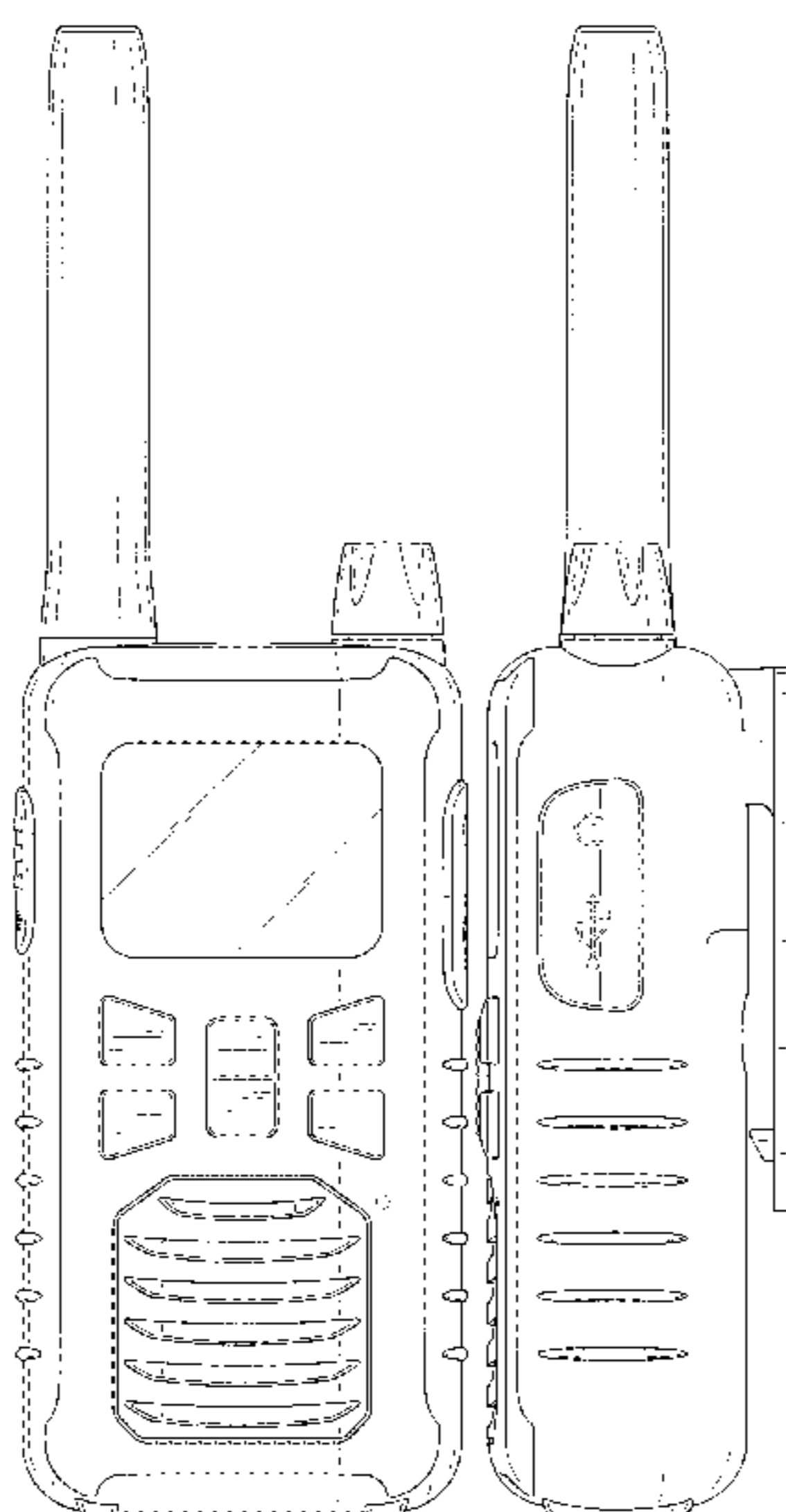
**DESCRIPTION**

FIG. 1 is a perspective view of a walkie talkie showing my new design;  
FIG. 2 is a front view thereof;  
FIG. 3 is a rear view thereof;  
FIG. 4 is a left side view thereof;  
FIG. 5 is a right side view thereof;  
FIG. 6 is a top view thereof; and,  
FIG. 7 is a bottom view thereof.  
The broken lines show portions of the walkie talkie that form no part of the claimed design.

(56) **References Cited**  
U.S. PATENT DOCUMENTS

D175,440 S \* 8/1955 Palo ..... D14/225  
D295,404 S \* 4/1988 Tokiyama ..... D14/137  
D451,484 S \* 12/2001 Page ..... D14/137  
D490,064 S \* 5/2004 Yi ..... D14/137  
D576,128 S \* 9/2008 Tran ..... D14/137  
D602,893 S \* 10/2009 Nishida ..... D14/137  
D607,847 S \* 1/2010 Elliott ..... D13/168  
D677,230 S \* 3/2013 Ooi ..... D14/137  
D685,753 S \* 7/2013 Kang ..... D14/137  
D700,148 S \* 2/2014 Paul ..... D13/168

**1 Claim, 6 Drawing Sheets**





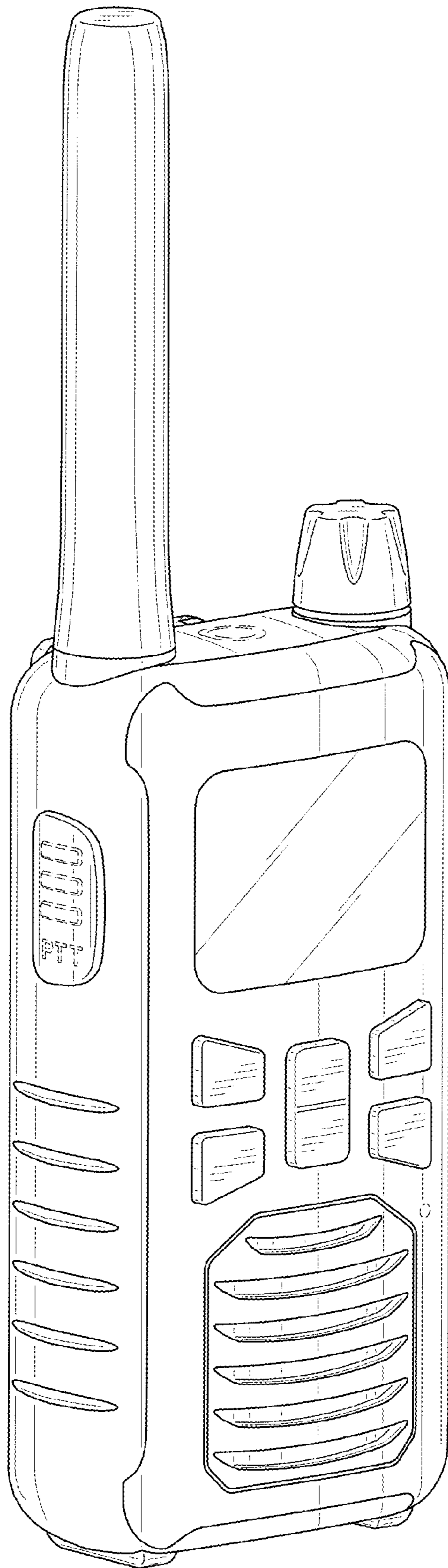


FIG. 1

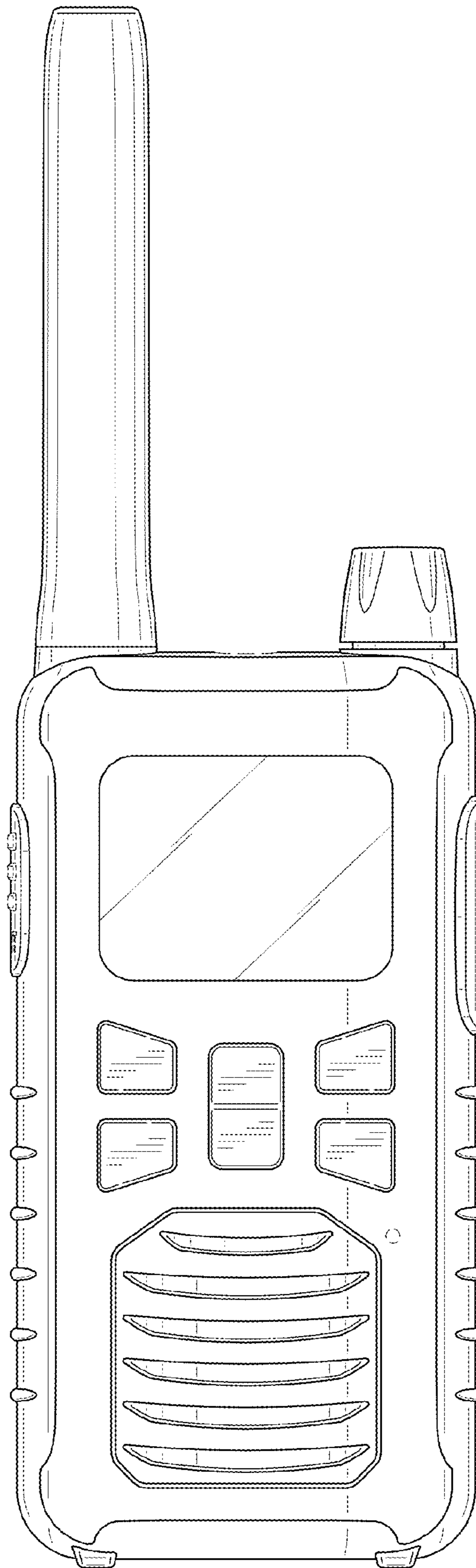


FIG. 2

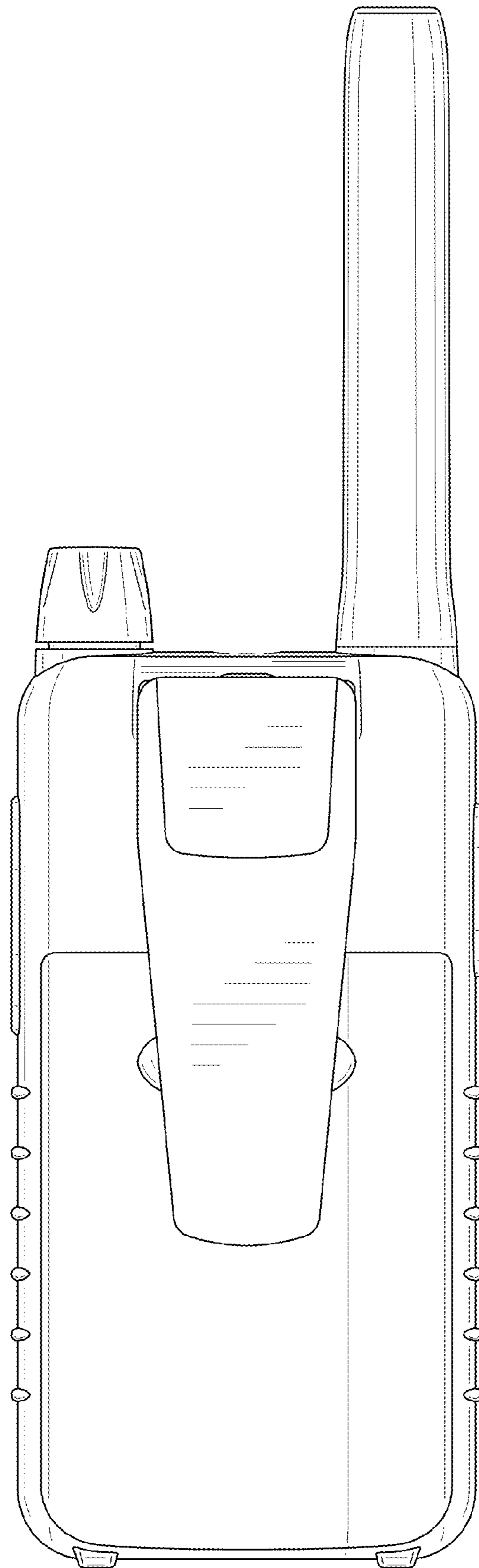


FIG. 3

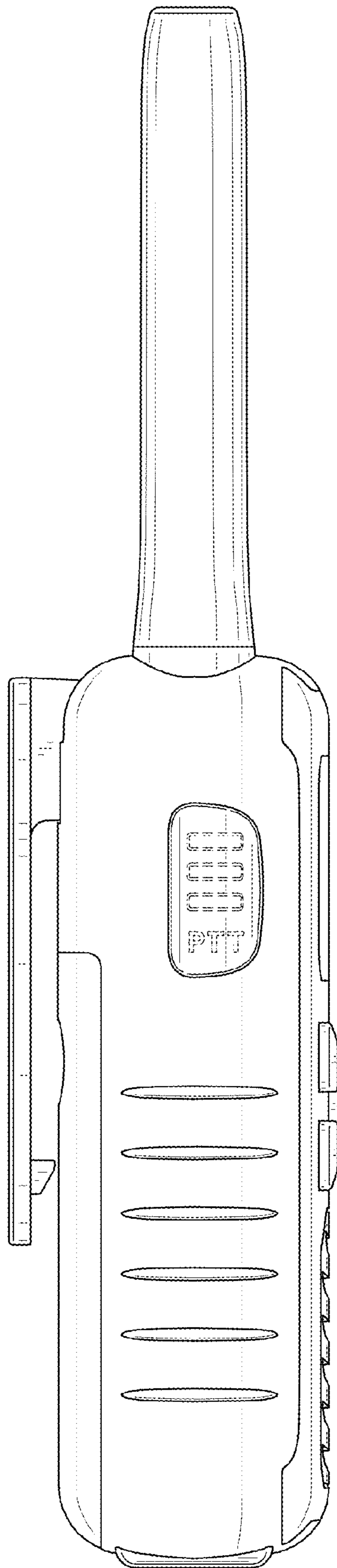


FIG. 4

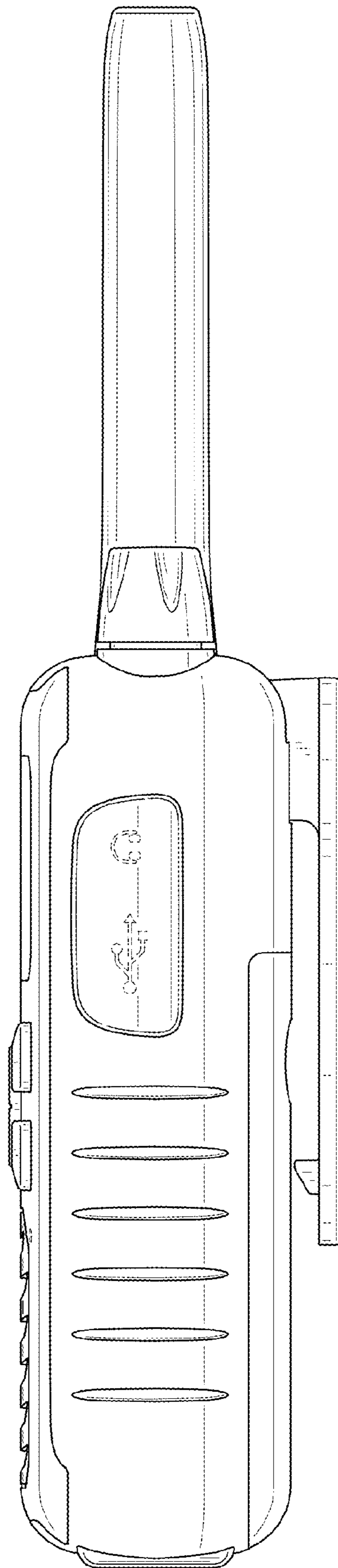


FIG. 5

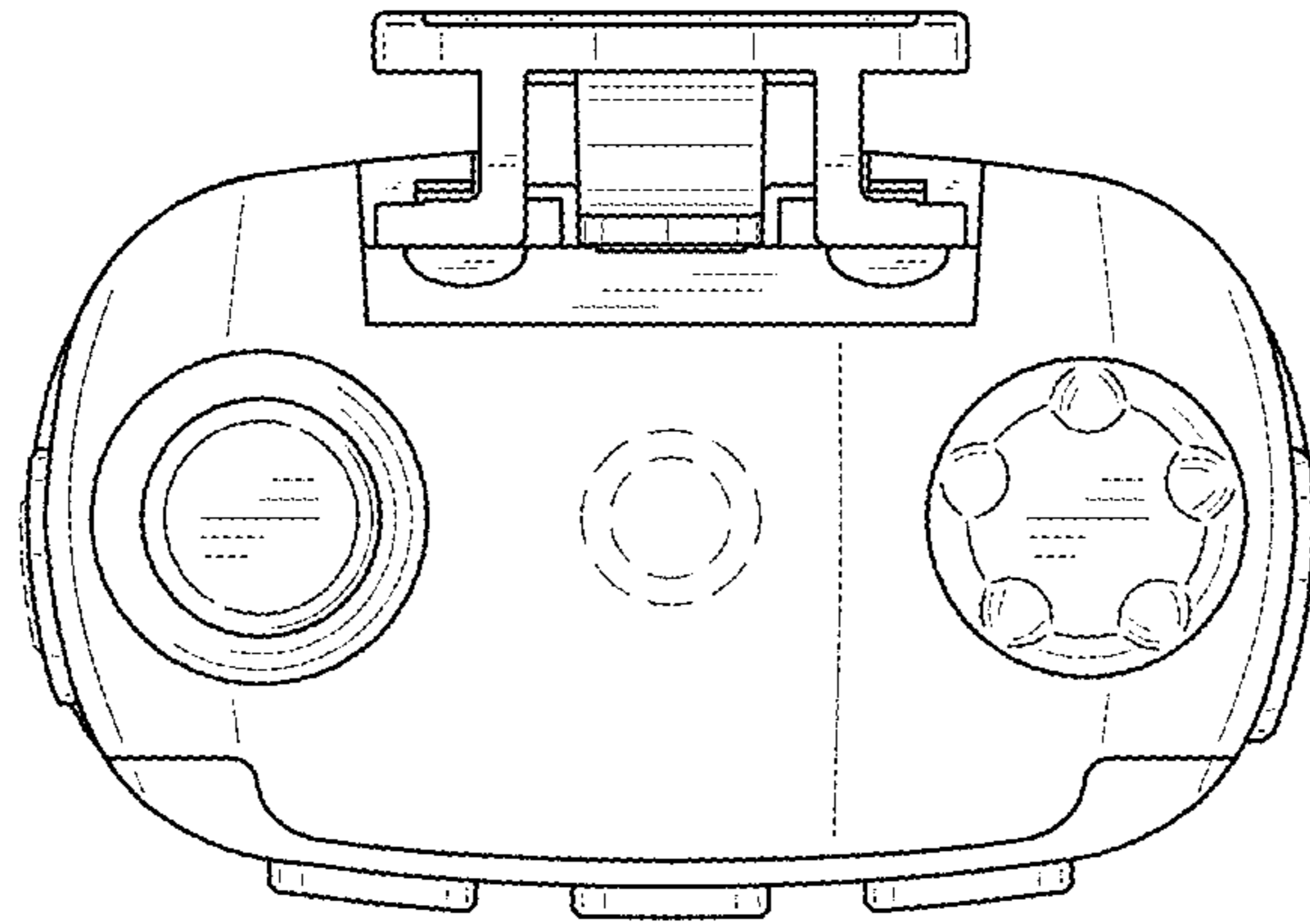


FIG. 6

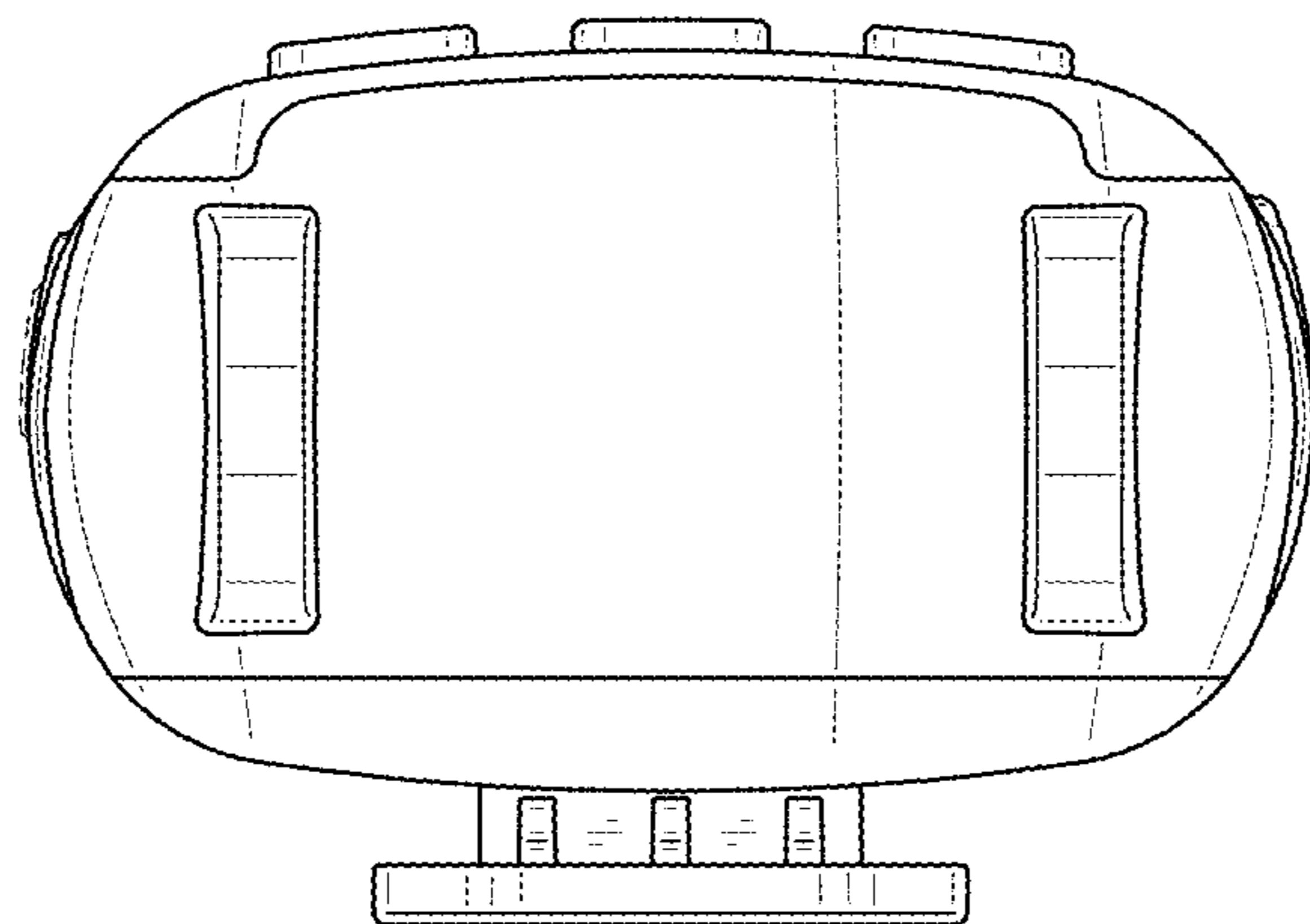


FIG. 7