



US00D892754S

(12) **United States Design Patent**
Beckedahl et al.

(10) **Patent No.:** **US D892,754 S**
(45) **Date of Patent:** **** Aug. 11, 2020**

- (54) **POWER MODULE**
- (71) Applicant: **SEMIKRON ELEKTRONIK GMBH & CO. KG**, Nuremberg (DE)
- (72) Inventors: **Peter Beckedahl**, Oberasbach (DE);
Juergen Steger, Hiltpoltstein (DE);
Ingo Bogen, Nuremberg (DE); **Sandro Bulovic**, Fürth (DE)
- (73) Assignee: **SEMIKRON ELEKTRONIK GmbH & CO. KG**, Nuremberg (DE)
- (**) Term: **15 Years**
- (21) Appl. No.: **29/728,407**
- (22) Filed: **Mar. 18, 2020**

Related U.S. Application Data

- (62) Division of application No. 29/671,493, filed on Nov. 28, 2018, now Pat. No. Des. 883,241.

Foreign Application Priority Data

- Jun. 4, 2018 (DE) 40 2018 100 539

- (51) **LOC (12) Cl.** **13-03**
- (52) **U.S. Cl.**
USPC **D13/182**
- (58) **Field of Classification Search**
USPC D13/110, 158, 182, 184
CPC H05K 7/1432; H01L 23/04; H01L 23/473;
H02M 7/003
See application file for complete search history.

References Cited

U.S. PATENT DOCUMENTS

- D762,185 S * 7/2016 Muehlensiep D13/182
- D798,832 S * 10/2017 Hayashida D13/182

- D799,439 S * 10/2017 Hayashiguchi D13/182
- D814,431 S * 4/2018 Matsumoto D13/182
- 10,090,774 B1 * 10/2018 Beckedahl H02M 7/003
- 10,163,761 B2 * 12/2018 Bogen H05K 7/1432
- 10,270,358 B2 * 4/2019 Kobolla H05K 1/0213
- D853,978 S * 7/2019 Auer D13/182
- D858,467 S * 9/2019 Sawada D13/182
- D864,132 S * 10/2019 Sawada D13/182
- D883,241 S * 5/2020 Beckedahl D13/182
- 2013/0134572 A1 * 5/2013 Lenniger H01L 23/3677
257/690
- 2014/0168900 A1 * 6/2014 Korich H05K 7/1432
361/709
- 2014/0376184 A1 * 12/2014 Gohara H05K 7/20254
361/689
- 2015/0223339 A1 * 8/2015 Nakamura H01L 23/3735
361/705
- 2016/0276927 A1 * 9/2016 Das H02M 7/003

* cited by examiner

Primary Examiner — Selina Sikder

(74) *Attorney, Agent, or Firm* — Lackenbach Siegel, LLP;
Andrew F. Young

CLAIM

The ornamental design for a power module, as shown and described.

DESCRIPTION

FIG. 1 is a front top perspective view of a power module.
 FIG. 2 is a right side view thereof.
 FIG. 3 is a left side view thereof.
 FIG. 4 is a front view thereof.
 FIG. 5 is a rear view thereof.
 FIG. 6 is a top plan view thereof; and,
 FIG. 7 is a bottom plan view thereof.
 The broken lines in the drawing show portions of power module that do not form a part of the claimed design.

1 Claim, 7 Drawing Sheets

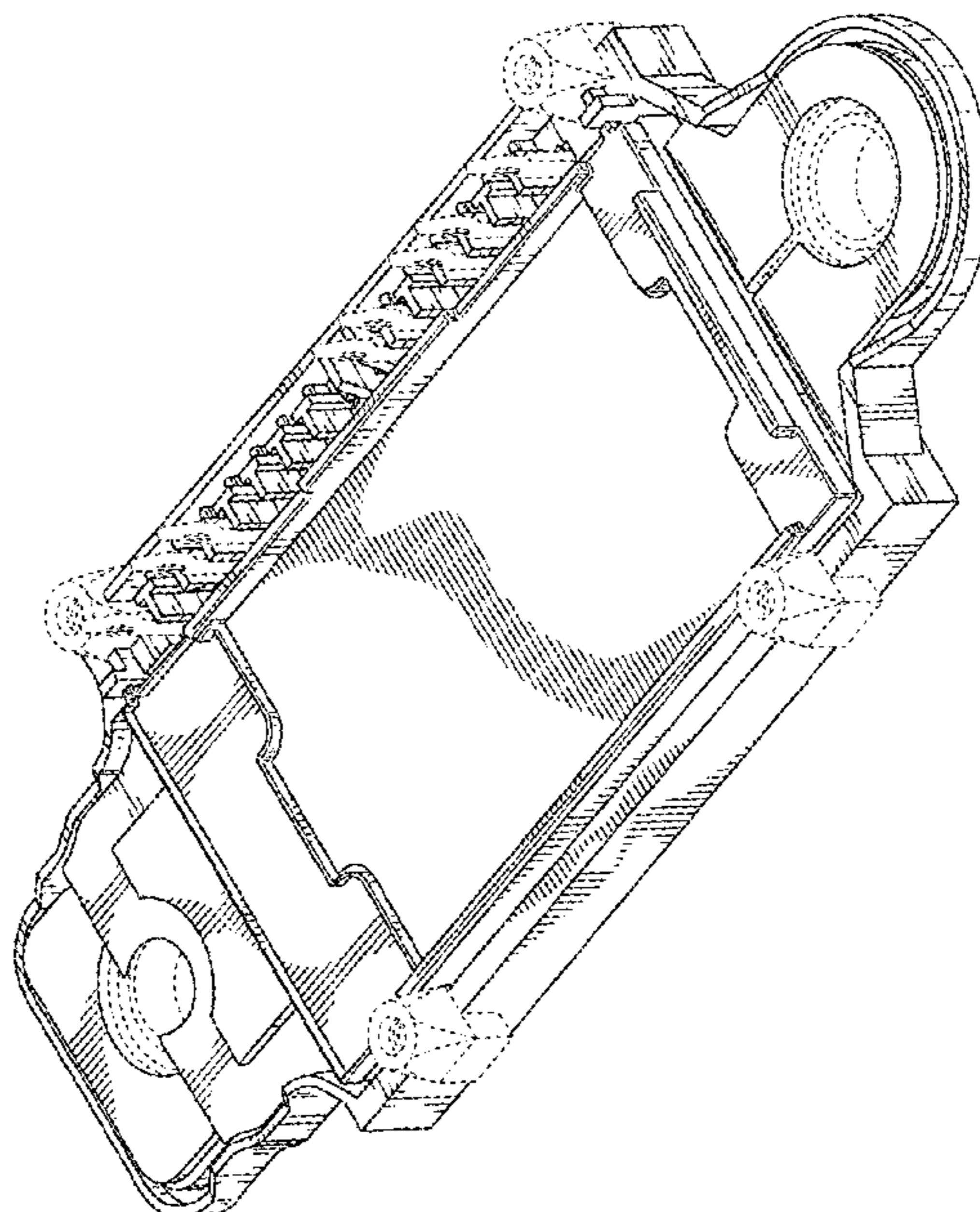
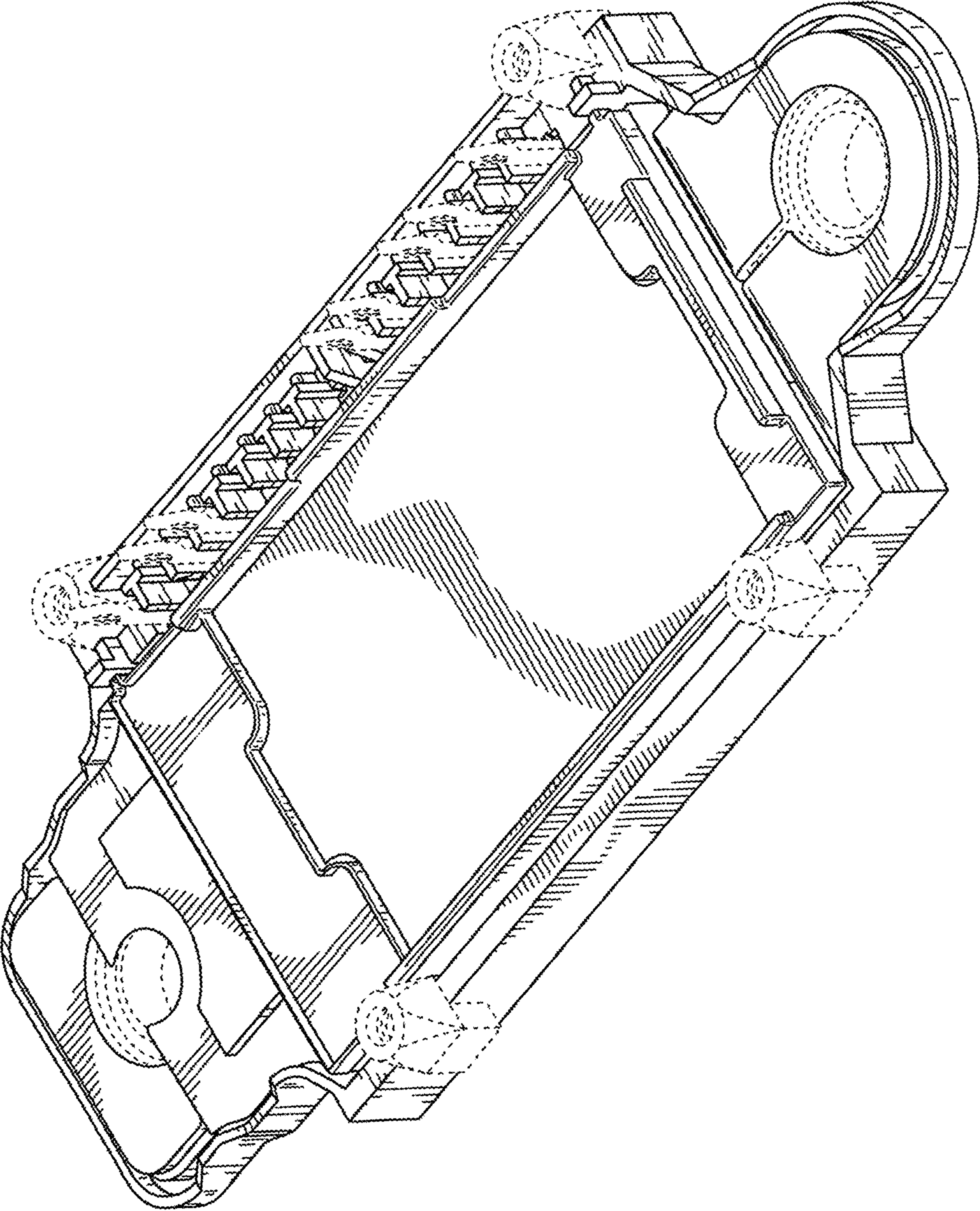


FIG. 1



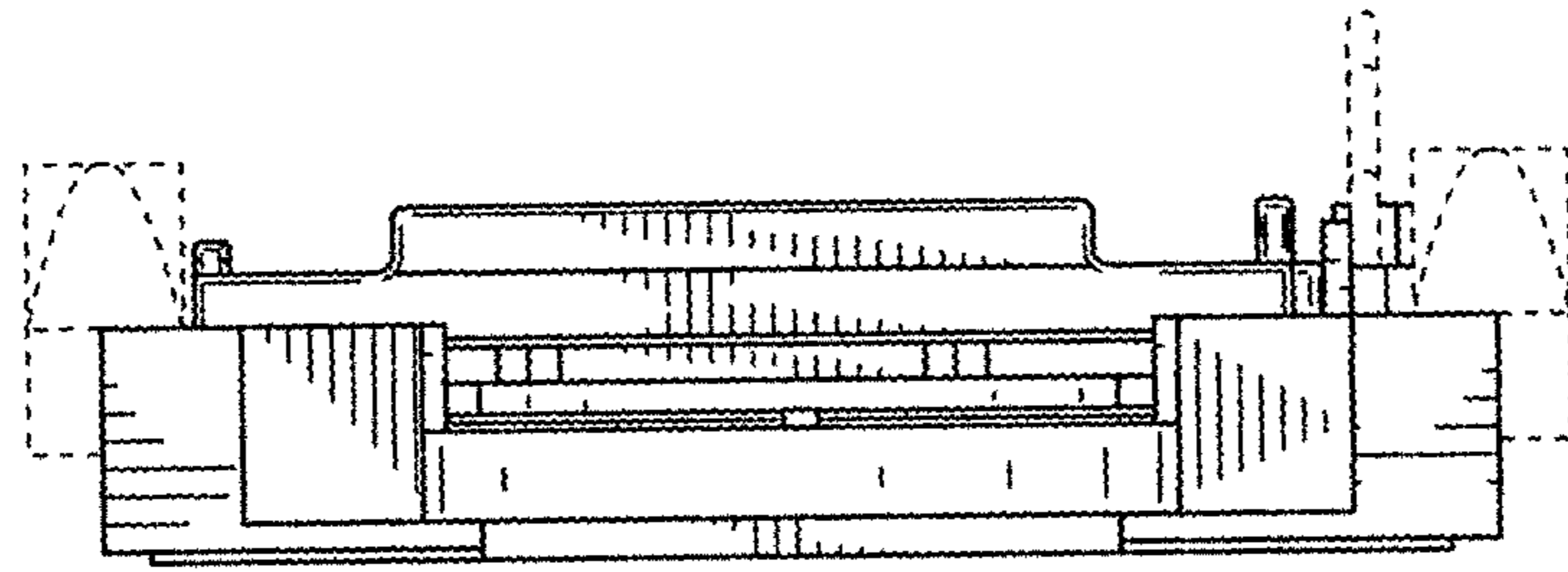


FIG. 2



FIG. 3

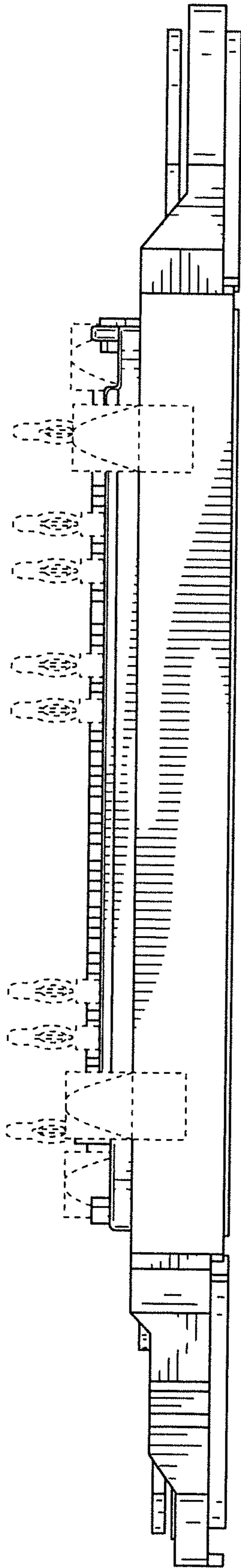


FIG. 4

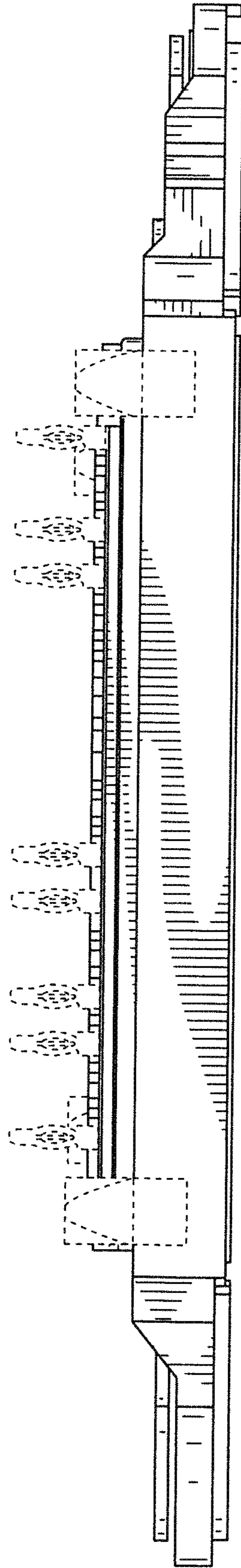


FIG. 5

FIG. 6

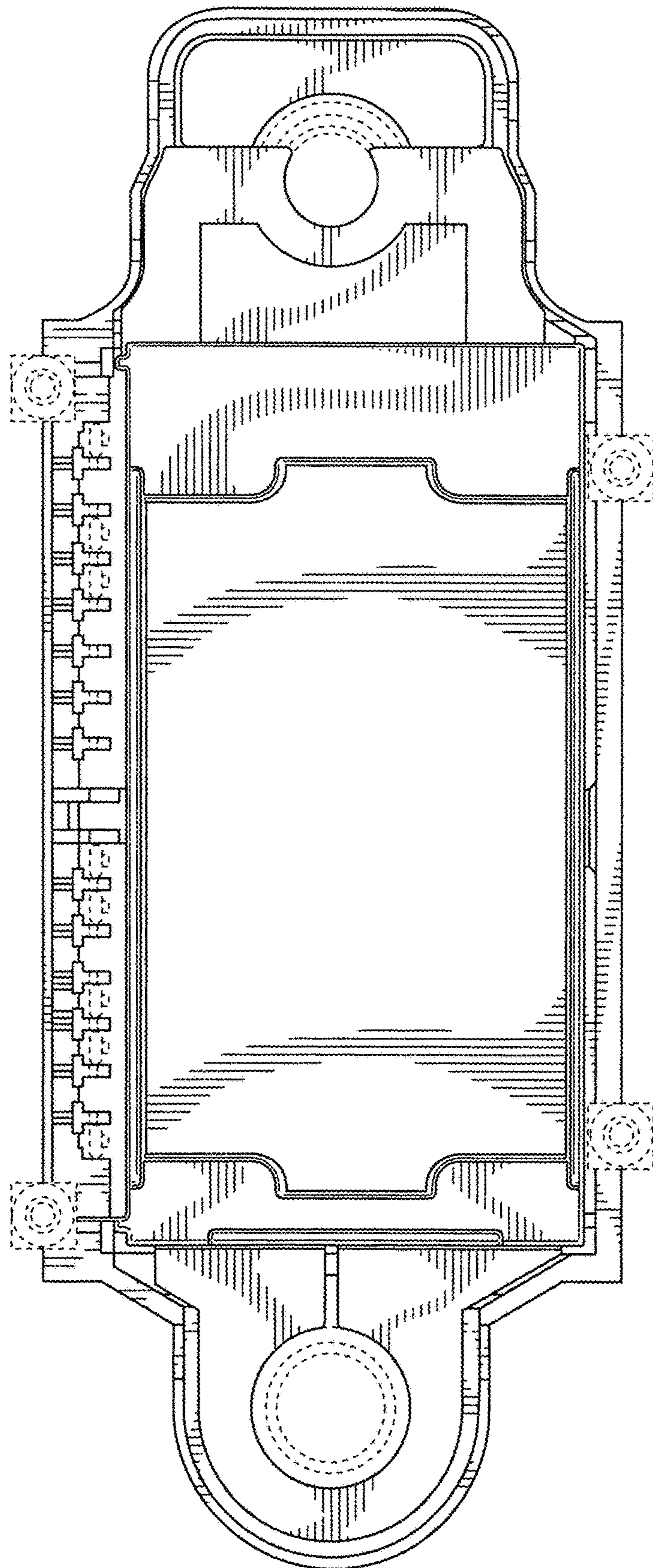


FIG. 7

