



US00D892751S

(12) **United States Design Patent** (10) **Patent No.:** **US D892,751 S**
Altonen et al. (45) **Date of Patent:** **** Aug. 11, 2020**

(54) **CONTROL DEVICE**
(71) Applicant: **Lutron Technology Company LLC**,
Coopersburg, PA (US)
(72) Inventors: **Gregory Altonen**, Easton, PA (US);
Chris Dimberg, Easton, PA (US);
Jason C. Killo, Emmaus, PA (US);
Brad Michael Kreschollek, Bethlehem,
PA (US); **Matthew Philip McDonald**,
Phoenixville, PA (US)

D305,022 S * 12/1989 Hallgren D13/171
D362,844 S 10/1995 Roza
6,107,583 A 8/2000 Berfield
D441,346 S 5/2001 Bonn
D464,630 S 10/2002 Woodworth
D469,411 S 1/2003 Decosse
D479,205 S * 9/2003 Krajci D13/171
D515,516 S 2/2006 Mayo et al.
D558,692 S 1/2008 Neveu
D589,463 S 3/2009 Sykes
7,820,924 B2 * 10/2010 Stilley G06F 1/1626
200/5 R

(Continued)

(73) Assignee: **Lutron Technology Company LLC**,
Coopersburg, PA (US)

(**) Term: **15 Years**

(21) Appl. No.: **29/697,939**

(22) Filed: **Jul. 12, 2019**

(51) **LOC (12) Cl.** **13-03**

(52) **U.S. Cl.**
USPC **D13/171; D13/168**

(58) **Field of Classification Search**
USPC D13/162, 168, 171, 173, 174; D14/487,
D14/489; D10/104.1; D7/393; D8/310,
D8/312
CPC H01H 3/12; H01H 3/122; H01H 9/02;
H01H 9/16; H01H 9/18; H01H 9/181;
H01H 9/182; H01H 13/023; H01H 13/04;
H01H 13/06; H01H 13/14; H01H
2009/187; H05B 37/02; H05B 37/0254;
H05B 37/0272; H05B 39/02; H05B
39/04; H05B 39/085; H05B 39/086;
H05B 39/088; H05B 33/0803; H05B
33/0863; G08C 17/02; H03K 17/962
See application file for complete search history.

(56) **References Cited**

U.S. PATENT DOCUMENTS

D199,922 S 12/1964 Schlage
4,499,630 A * 2/1985 Harris F24C 3/124
16/441

OTHER PUBLICATIONS

Thermo-Floor ISE 2019-Z—Wave Alliance; before Dec. 31, 2019;
1pg; https://www.google.com/search?q=dimmer+before%3A2019-12-31&tbm=isch&ved=2ahUKEwi6jLeU2dnoAhVSad8KHfE-4C3QQ2-cCegQIABAA&oq=dimmer+before%3A2019-12-31&gs_lcp=CgNpbWcQDDoECAAQZzoCCAA6BAgAEB46BggAEAQgQHjoECAAQGD0GCAAQChAYUM6DBlim3wdgmvYHaABwA.*

(Continued)

Primary Examiner — Selina Sikder

(74) *Attorney, Agent, or Firm* — Saidman DesignLaw
Group, LLC

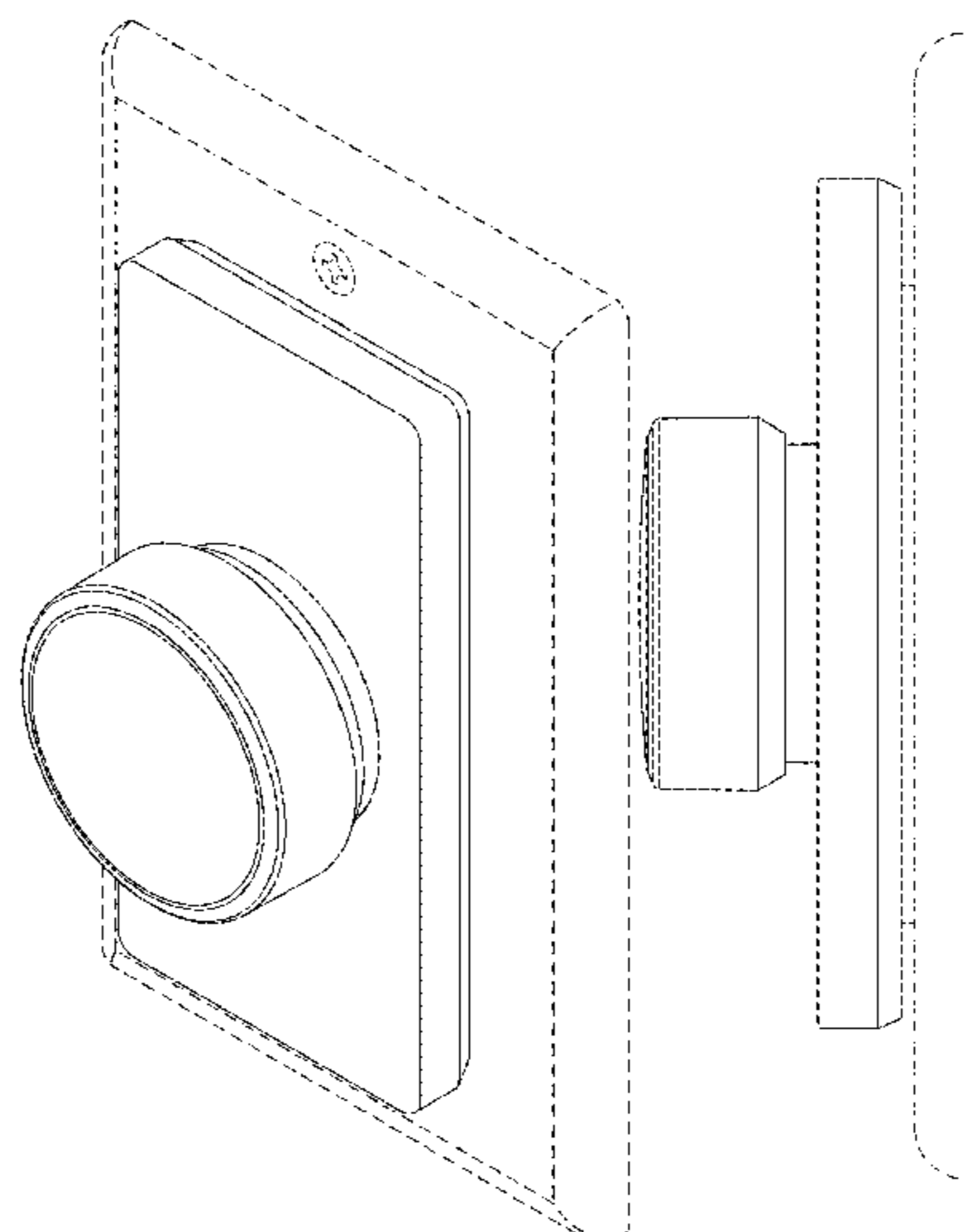
(57) **CLAIM**

The ornamental design for a control device, as shown and
described.

DESCRIPTION

FIG. 1 is a front perspective view of a control device
showing our new design;
FIG. 2 is a front view thereof;
FIG. 3 is a left side view thereof;
FIG. 4 is a right side view thereof;
FIG. 5 is a top view thereof; and,
FIG. 6 is a bottom view thereof.
The dashed broken lines illustrate structure or features
which form no part of the claimed design.

1 Claim, 4 Drawing Sheets



(56)

References Cited

U.S. PATENT DOCUMENTS

7,884,299 B2 2/2011 Glew
 D645,005 S 9/2011 Menheere
 D654,880 S 2/2012 Lam
 D687,328 S 8/2013 Clymer et al.
 D692,841 S * 11/2013 Li D13/174
 8,786,196 B2 7/2014 Biery et al.
 D713,236 S 9/2014 Park
 D719,007 S * 12/2014 Bouthillier D8/300
 D722,259 S * 2/2015 Conner D8/300
 D725,612 S 3/2015 Schlegel et al.
 D748,648 S 2/2016 Kim et al.
 D752,503 S * 3/2016 Sethapun D12/345
 D755,037 S 5/2016 Czerwinski, Jr. et al.
 9,337,943 B2 5/2016 Mosebrook et al.
 D761,277 S 7/2016 Harvell
 D762,716 S 8/2016 Yang et al.
 D763,308 S 8/2016 Wang et al.
 D766,844 S 9/2016 Turksu et al.
 9,538,619 B2 1/2017 Swatsky et al.
 9,565,742 B2 2/2017 Swatsky et al.
 9,633,557 B2 4/2017 Dimberg et al.
 D786,932 S 5/2017 Kim et al.
 D808,912 S 1/2018 Dimberg et al.
 D814,428 S 4/2018 Dimberg et al.
 D827,645 S * 9/2018 Raken D14/388
 D837,168 S 1/2019 Altonen et al.
 D837,169 S 1/2019 Altonen et al.
 D839,847 S 2/2019 Dimberg et al.
 D846,508 S 4/2019 Dimberg et al.
 D868,009 S 11/2019 Dimberg et al.
 D868,010 S 11/2019 Bard et al.
 D878,309 S * 3/2020 Altonen D13/171
 D878,310 S * 3/2020 Dimberg D13/171
 D879,055 S * 3/2020 Altonen D13/171
 2007/0057922 A1 3/2007 Schultz et al.
 2007/0102275 A1 5/2007 Genz et al.
 2007/0193867 A1 8/2007 Lorenzo Riera et al.
 2010/0175971 A1 7/2010 Kim et al.
 2012/0240472 A1 * 9/2012 Bouthillier E05B 1/0015
 49/460
 2013/0328500 A1 12/2013 Toda
 2014/0042002 A1 2/2014 Chu
 2014/0117871 A1 5/2014 Swatsky et al.
 2015/0371534 A1 12/2015 Dimberg et al.
 2017/0278383 A1 9/2017 Dimberg et al.
 2017/0280533 A1 9/2017 Dimberg et al.

2017/0352506 A1 12/2017 Dimberg
 2017/0354012 A1 12/2017 Bard et al.
 2017/0354021 A1 12/2017 Dimberg et al.
 2017/0354022 A1 12/2017 Dimberg et al.
 2017/0354023 A1 12/2017 Dimberg et al.
 2018/0005742 A1 1/2018 Newman, Jr. et al.
 2018/0116039 A1 4/2018 Harte et al.

OTHER PUBLICATIONS

ZigBee Dimmer Switch; before Dec. 31, 2019; 1 pg. ; https://www.google.com/search?q=dimmer+before%3A2019-12-31&tbm=isch&ved=2ahUKEwi6jLeU2dnoAhVSad8KHfE4C3QQ2-cCegQIABAA&oq=dimmer+before%3A2019-12-31&gs_lcp=CgNpbWcQDDoECAAQZoCCAA6BAGAEb46BggAEAgQHjoECAAQGDGCAAQChAYUM6DB1im3wdgmVYHaABwAHgAgAE7iAGhBpIBAJE4mAEA.*
 SM207 light switch molunt; before Jul. 12, 2019; 1 pg; https://www.google.com/search?q=remote+dimmer+switch+with+rectangular+bezel+before%3A2019-07-25&tbm=isch&ved=2ahUKEwjP5eD_xtvoAhUWad8KHVLaB-AQ2-cCegQIABAA&oq=remote+dimmer+switch+with+rectangular+bezel+before%3A2019-07-25&gs_lcp=CgNpbWcQDFCs7AtYtOYMY.*
 LEGRAND®/PASS & Seymour®, P&S Dimmers—DR Series Brochure, 2010, 2 pages.
 LEGRAND®, Dimmers Brochure, 2015, 18 pages.
 LUMENPULSE™, Lumentone™ Specification Sheet, 2013, 4 pages.
 LUMENPULSE™, Lumentone™ Installation Instructions, 2013, 1 page.
 LUMENPULSE™, Lumentone™ Quick Reference Guide, 2015, 3 pages.
 Electronic Theatre Controls, Inc., Echo Inspire® Station Programming Guide, Software Version 2.0.1, Feb. 2015, 44 pages.
 Electronic Theatre Controls, Inc., Echo Inspire® Control Stations, <URL:<https://www.etcconnect.com/Products/Architectural-Systems/Echo/Control-Stations/Inspire-Control-Stations/Features.aspx>>, available from Internet at least as early as Jul. 15, 2014 [site visited May 9, 2018].
 Electronic Theatre Controls, Inc., Echo Inspire® Control Station: 4-Button with Fader Knob, photograph taken on May 8, 2018.
 U.S. Appl. No. 62/345,449, filed Jun. 3, 2016 (unpublished).
 U.S. Appl. No. 62/345,222, filed Jun. 3, 2016 (unpublished).
 U.S. Appl. No. 29/597,335, filed Mar. 16, 2017 (unpublished).
 U.S. Appl. No. 29/697,938, filed Jul. 12, 2019 (unpublished).

* cited by examiner

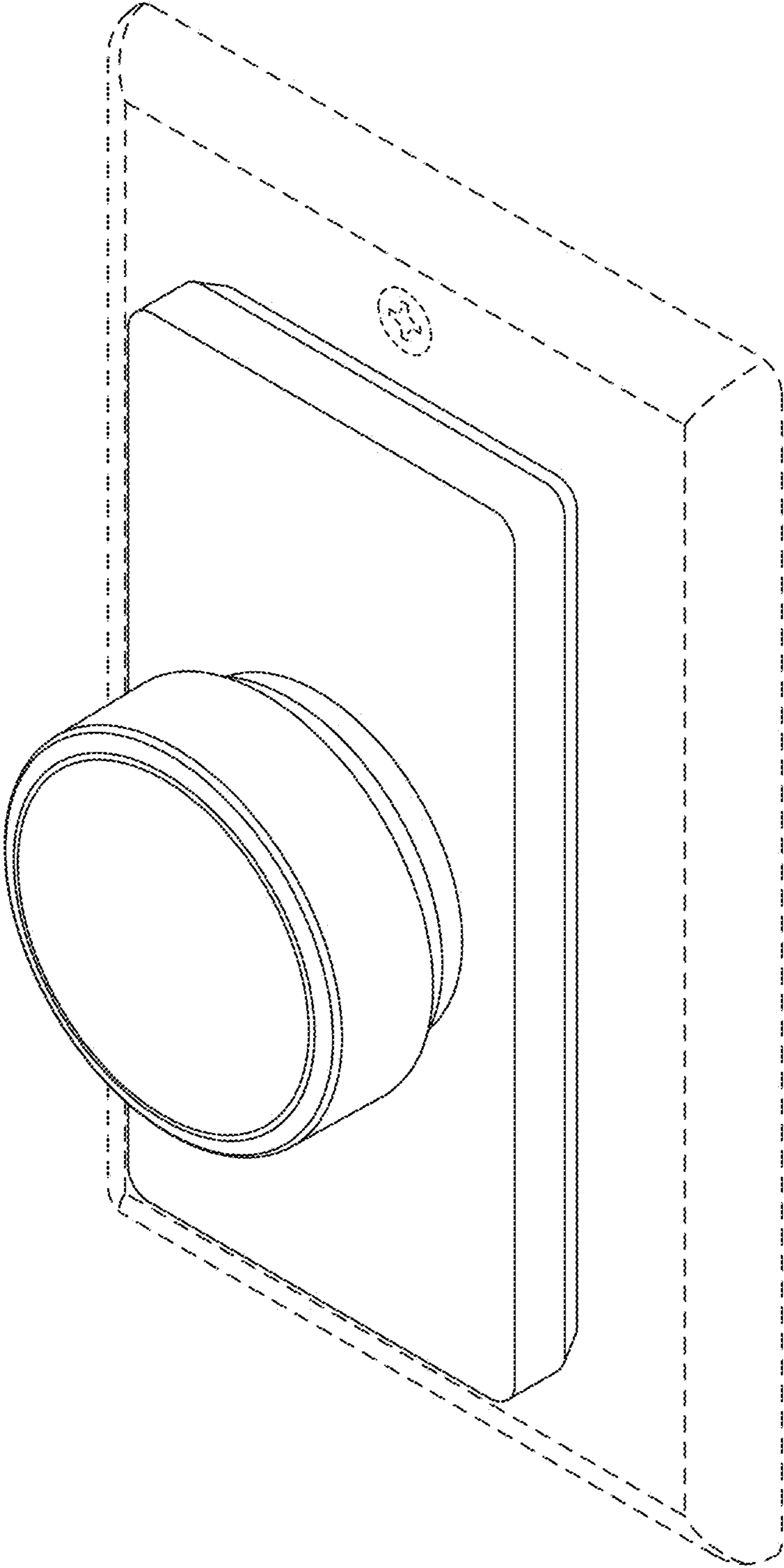


FIG. 1

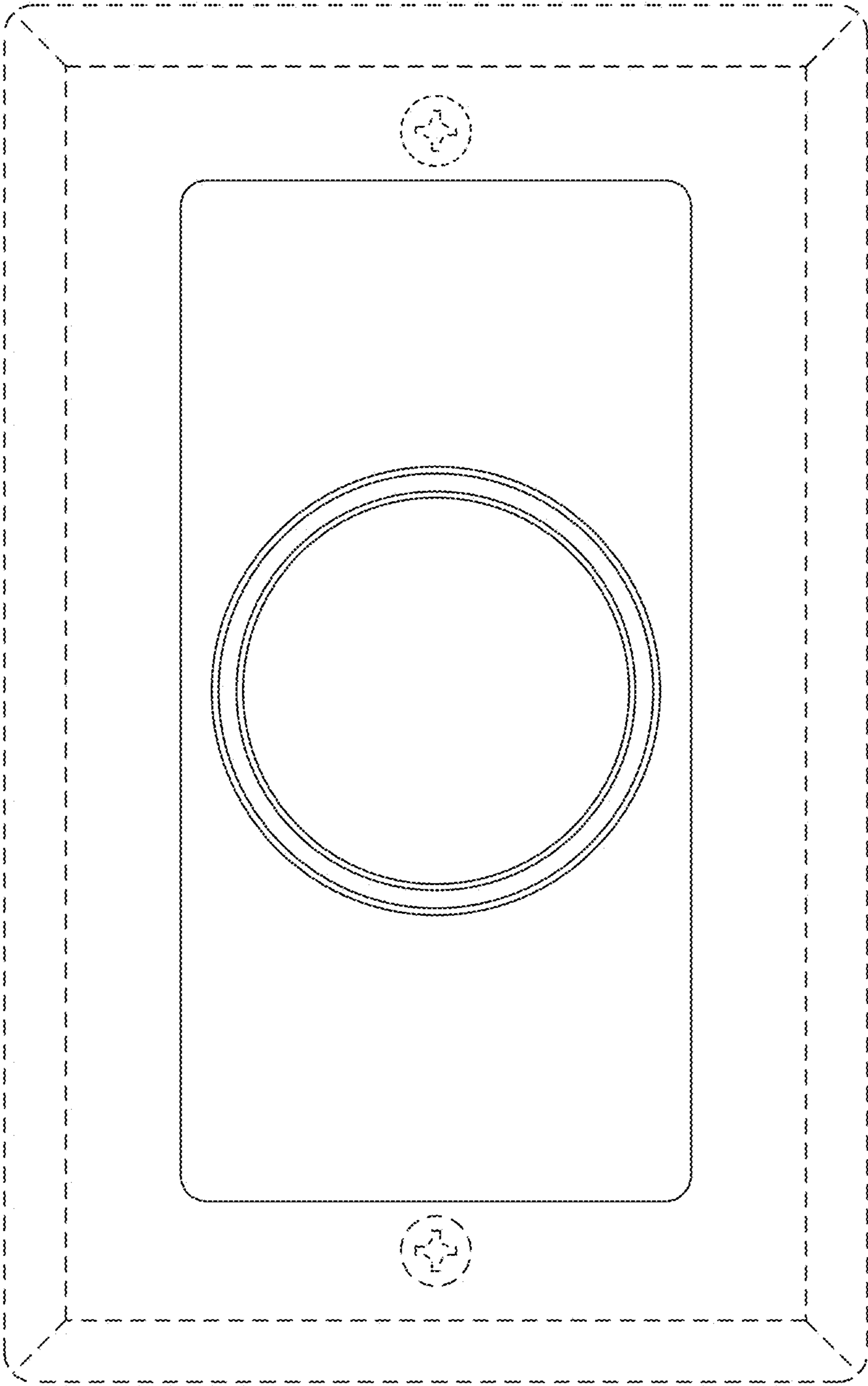


FIG. 2

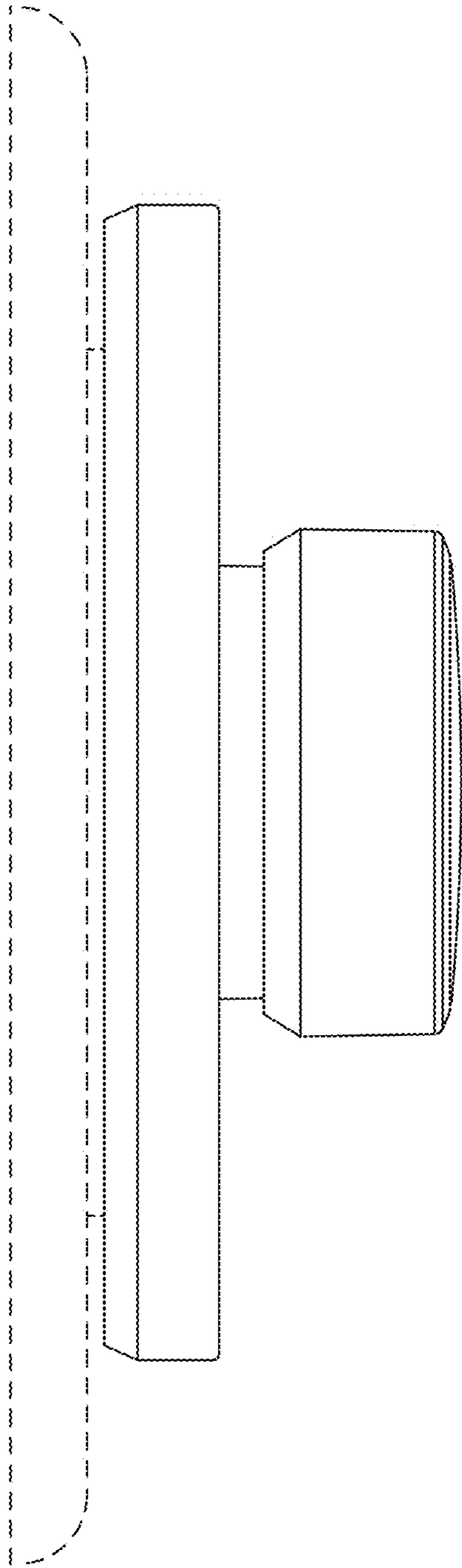


FIG. 3

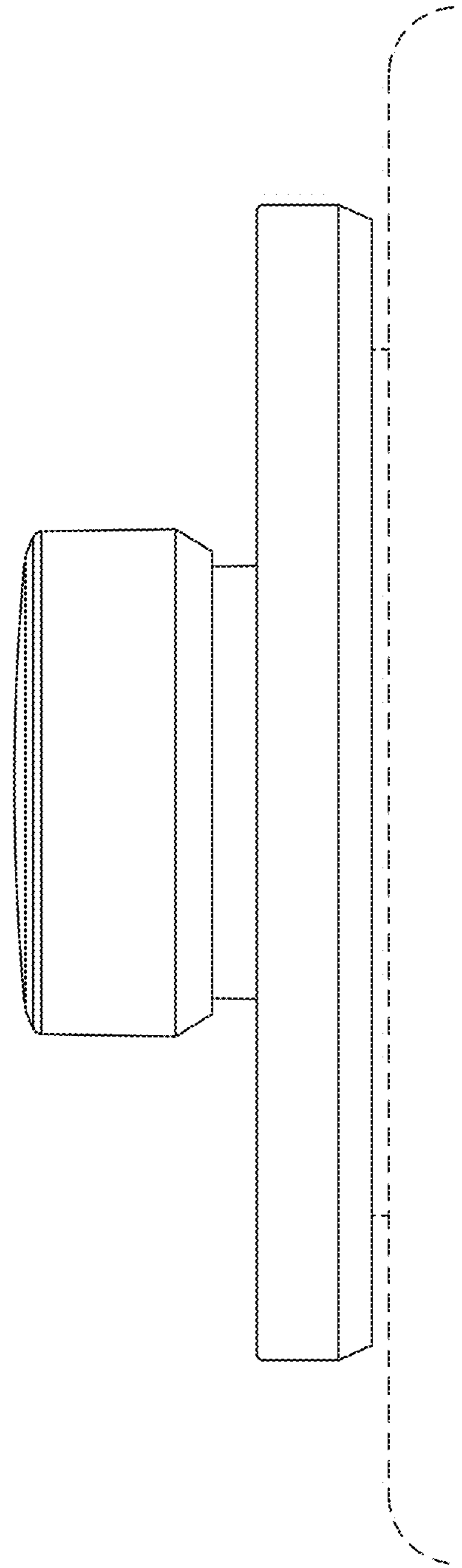


FIG. 4

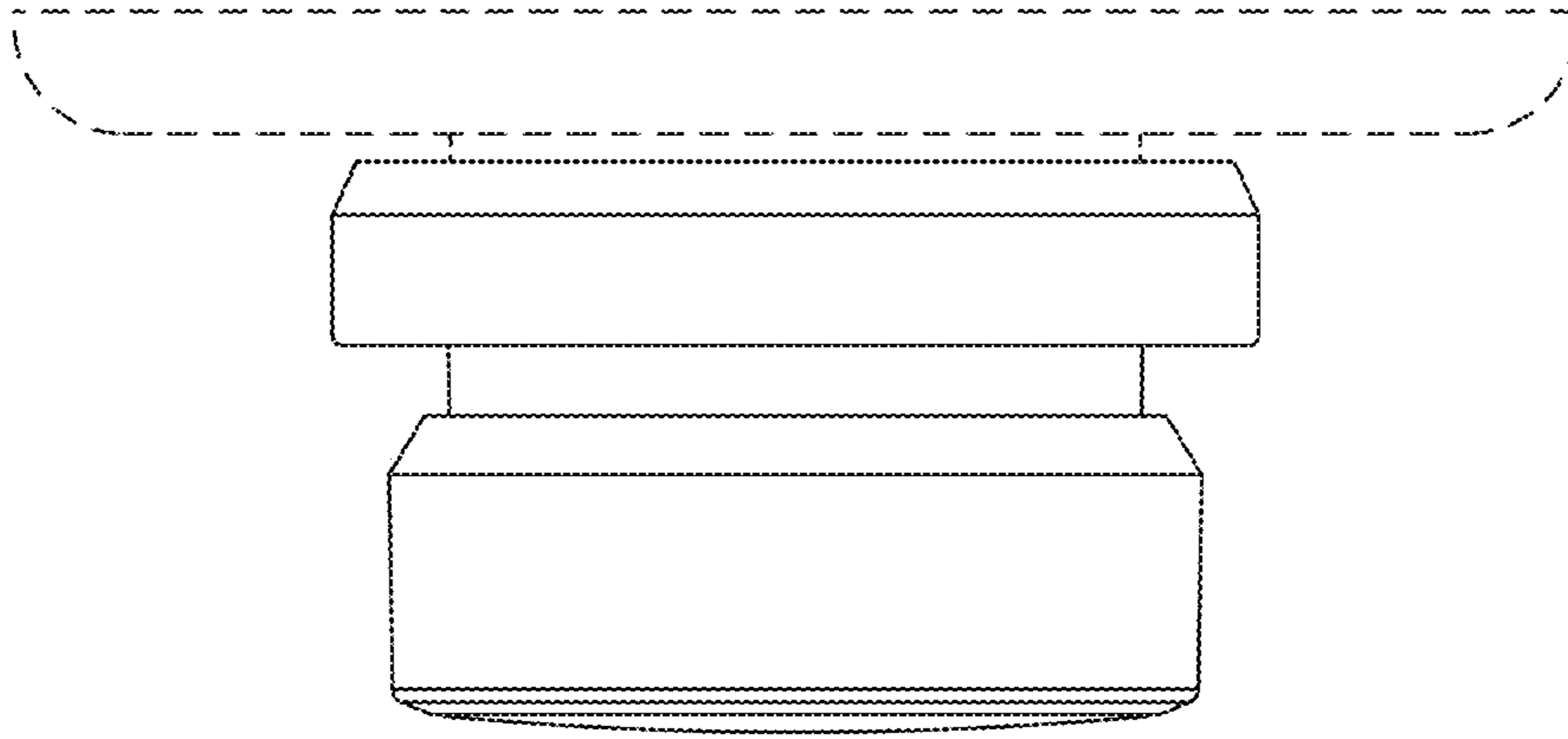


FIG. 5

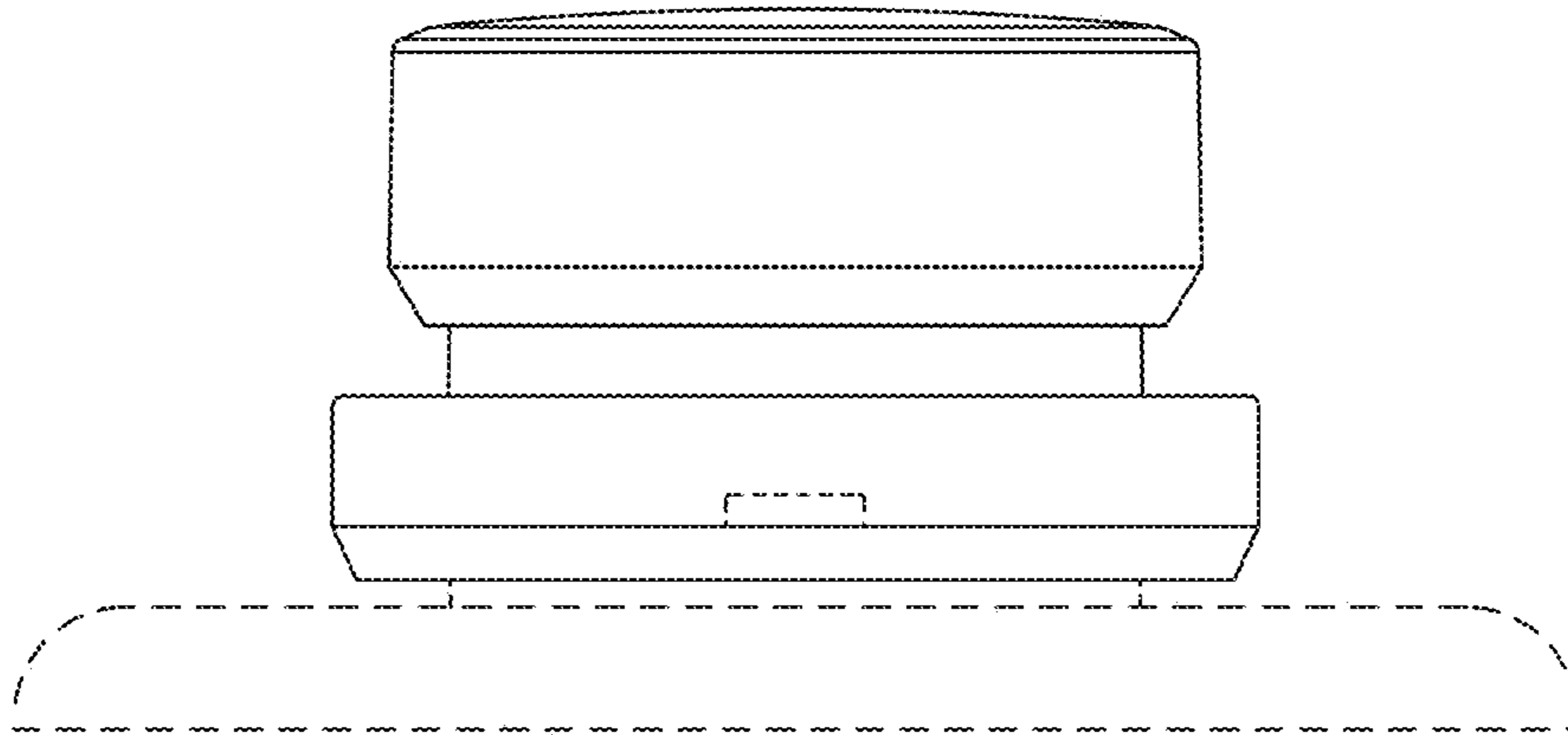


FIG. 6