



US00D892749S

(12) **United States Design Patent**  
**Ferraris**

(10) **Patent No.:** **US D892,749 S**

(45) **Date of Patent:** **\*\* Aug. 11, 2020**

(54) **ELECTRIC CABLE**  
(71) Applicant: **Lorenzo Filiberto Ferraris,**  
Tremezzina (IT)  
(72) Inventor: **Lorenzo Filiberto Ferraris,**  
Tremezzina (IT)

(\*\*) Term: **15 Years**

(21) Appl. No.: **35/507,072**

(22) Filed: **Dec. 14, 2018**

(80) **Hague Agreement Data**

Int. Filing Date: **Dec. 14, 2018**

Int. Reg. No.: **DM/201901**

Int. Reg. Date: **Dec. 14, 2018**

Int. Reg. Pub. Date: **Jul. 19, 2019**

(51) **LOC (12) Cl.** ..... **13-03**

(52) **U.S. Cl.**  
USPC ..... **D13/153**

(58) **Field of Classification Search**  
USPC ..... D13/153, 154, 147, 146, 139.1–139.8,  
D13/148; D14/433

CPC ..... H01R 13/6675

See application file for complete search history.

(56) **References Cited**

U.S. PATENT DOCUMENTS

D588,545 S \* 3/2009 Andre ..... D13/147  
D705,178 S \* 5/2014 Olsson ..... D13/153

D716,235 S \* 10/2014 Tien ..... D13/147  
D727,907 S \* 4/2015 Higashi ..... D14/433  
D733,142 S \* 6/2015 Solomon ..... D14/433  
D739,356 S \* 9/2015 Lin ..... D13/146  
D739,824 S \* 9/2015 Lin ..... D13/146  
D743,965 S \* 11/2015 Laffon de Mazieres .... D13/154  
D786,876 S \* 5/2017 Huang ..... D14/433  
9,660,396 B2 \* 5/2017 Chen ..... H01R 13/6675  
D800,666 S \* 10/2017 Nook ..... D13/148  
D810,748 S \* 2/2018 Zhang ..... D14/433  
D819,576 S \* 6/2018 Hahn ..... D13/153  
D823,260 S \* 7/2018 Petersen ..... D13/153  
D823,261 S \* 7/2018 Uggla ..... D13/153  
D823,812 S \* 7/2018 Hsieh ..... D13/153  
D824,388 S \* 7/2018 Fawcett ..... D14/433  
D832,263 S \* 10/2018 Chen ..... D14/433  
D832,849 S \* 11/2018 Kim ..... D14/433  
D851,047 S \* 6/2019 Zhang ..... D13/153  
D854,016 S \* 7/2019 Laine ..... D14/433  
D864,121 S \* 10/2019 Liu ..... D13/153  
D877,083 S \* 3/2020 Wu ..... D13/139.8

\* cited by examiner

*Primary Examiner* — Rhea Shields

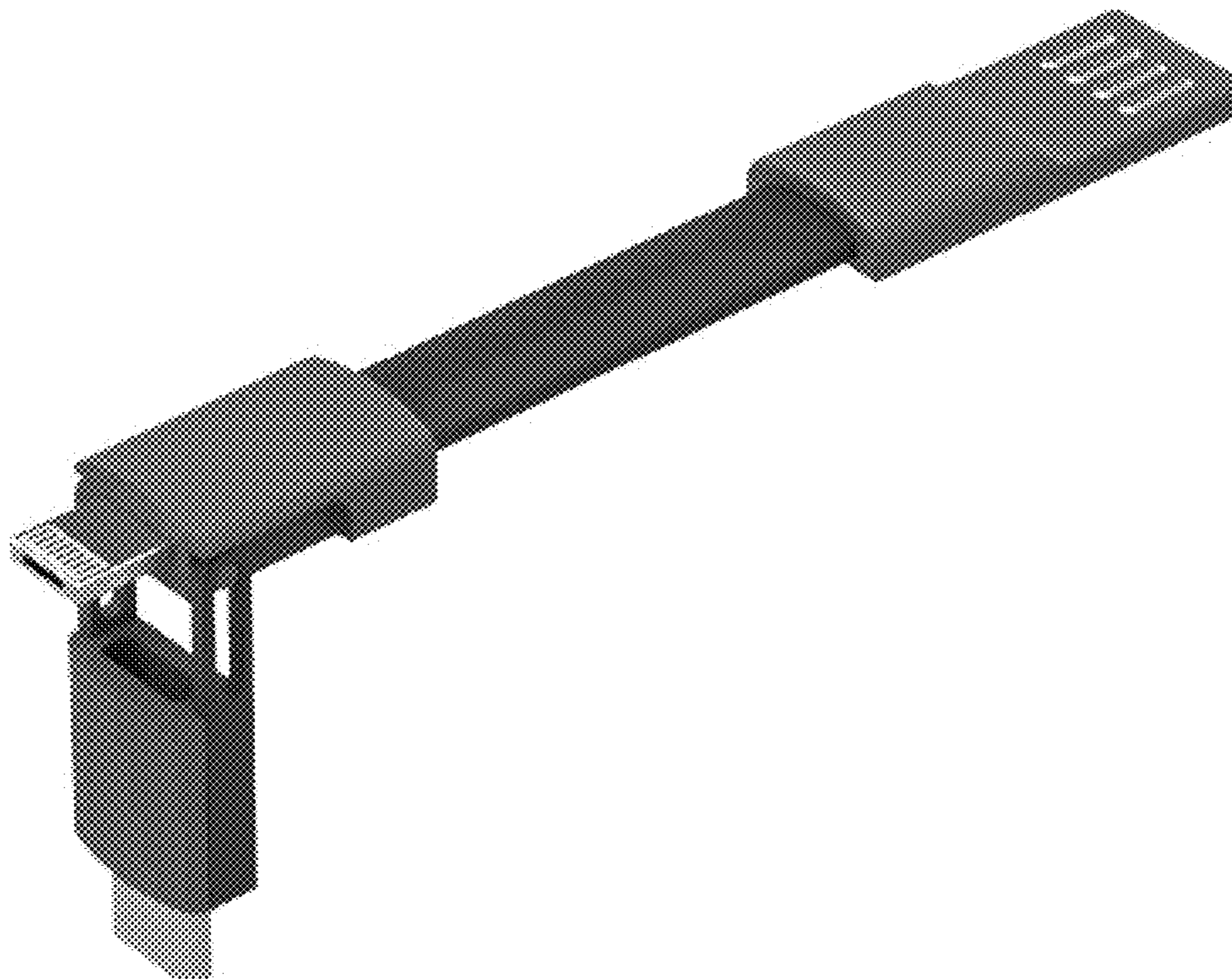
(57) **CLAIM**

The ornamental design for an electric cable, as shown and described.

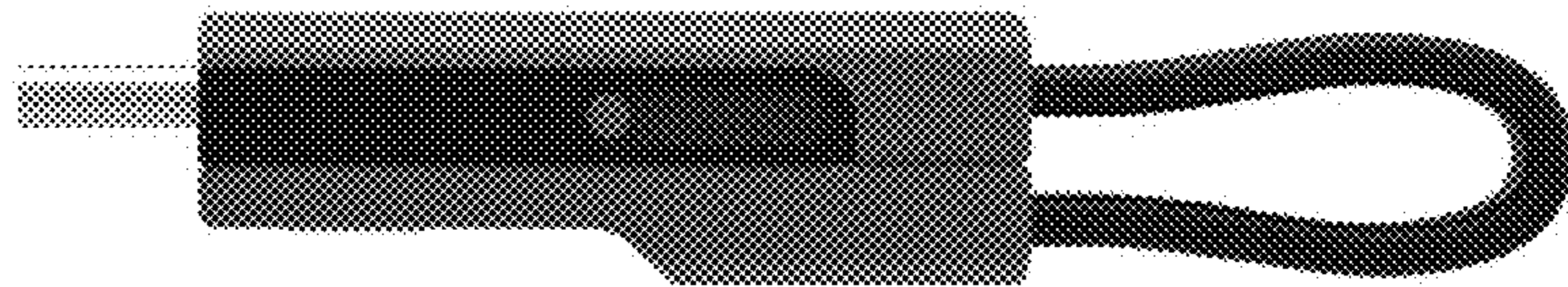
**DESCRIPTION**

1. Electric cable  
1.1 is a closed front view;  
1.2 is an open top perspective view; and  
1.3 is an extended open top perspective top view.

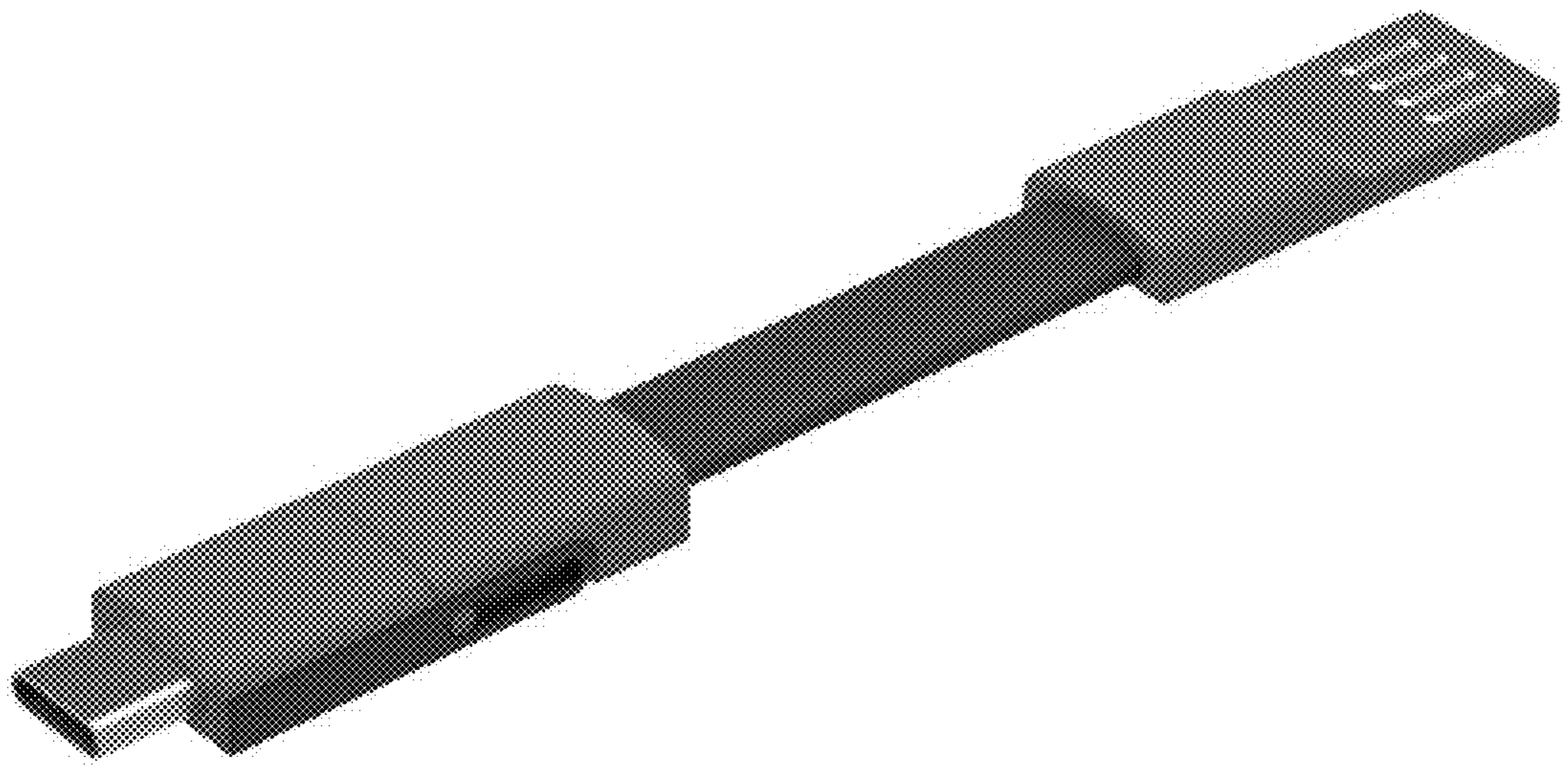
**1 Claim, 3 Drawing Sheets**



1.1



1.2



1.3

