

US00D892747S

(12) **United States Design Patent** (10) **Patent No.:** **US D892,747 S**  
**Suzuki et al.** (45) **Date of Patent:** **\*\* Aug. 11, 2020**

(54) **ELECTRICAL CONTACT**

(56) **References Cited**

(71) Applicant: **EBARA CORPORATION**, Tokyo (JP)

U.S. PATENT DOCUMENTS

(72) Inventors: **Kiyoshi Suzuki**, Tokyo (JP); **Jumpei Fujikata**, Tokyo (JP)

4,015,097 A \* 3/1977 Schmeisser ..... B23K 1/20  
200/275

(73) Assignee: **EBARA CORPORATION**, Tokyo (JP)

4,031,614 A \* 6/1977 Gipe ..... H01R 43/16  
29/879

(\*\*) Term: **15 Years**

5,197,889 A \* 3/1993 Rizzo ..... H01M 2/1055  
429/99

(21) Appl. No.: **35/505,863**

D493,080 S \* 7/2004 Altman ..... D8/19

(22) Filed: **Apr. 6, 2018**

D576,001 S \* 9/2008 Brunderman ..... D8/19

(80) **Hague Agreement Data**

7,878,562 B2 \* 2/2011 Hamano ..... H01L 21/68707  
294/213

Int. Filing Date: **Apr. 6, 2018**

D771,571 S \* 11/2016 Miyamoto ..... D13/154

Int. Reg. No.: **DM/101266**

D793,190 S \* 8/2017 Deluccia ..... D8/16

Int. Reg. Date: **Apr. 6, 2018**

2004/0150237 A1 \* 8/2004 Casarotti ..... H01L 21/67259  
294/185

Int. Reg. Pub. Date: **Oct. 12, 2018**

2010/0105256 A1 \* 4/2010 Lyford ..... H01R 4/20  
439/877

\* cited by examiner

*Primary Examiner* — Nathaniel D. Buckner

(74) *Attorney, Agent, or Firm* — Pearne & Gordon LLP

(30) **Foreign Application Priority Data**

(57) **CLAIM**

The ornamental design for an electrical contact, as shown and described.

Oct. 10, 2017 (JP) ..... 2017-022370

(51) **LOC (12) Cl.** ..... **13-03**

**DESCRIPTION**

(52) **U.S. Cl.**

USPC ..... **D13/147**

1. Electrical contact

1.1 : Perspective

1.2 : Front

1.3 : Top

1.4 : Bottom

1.5 : Right

The back view is omitted because it is identical to the front view; the left view is omitted because it is identical to the right view.

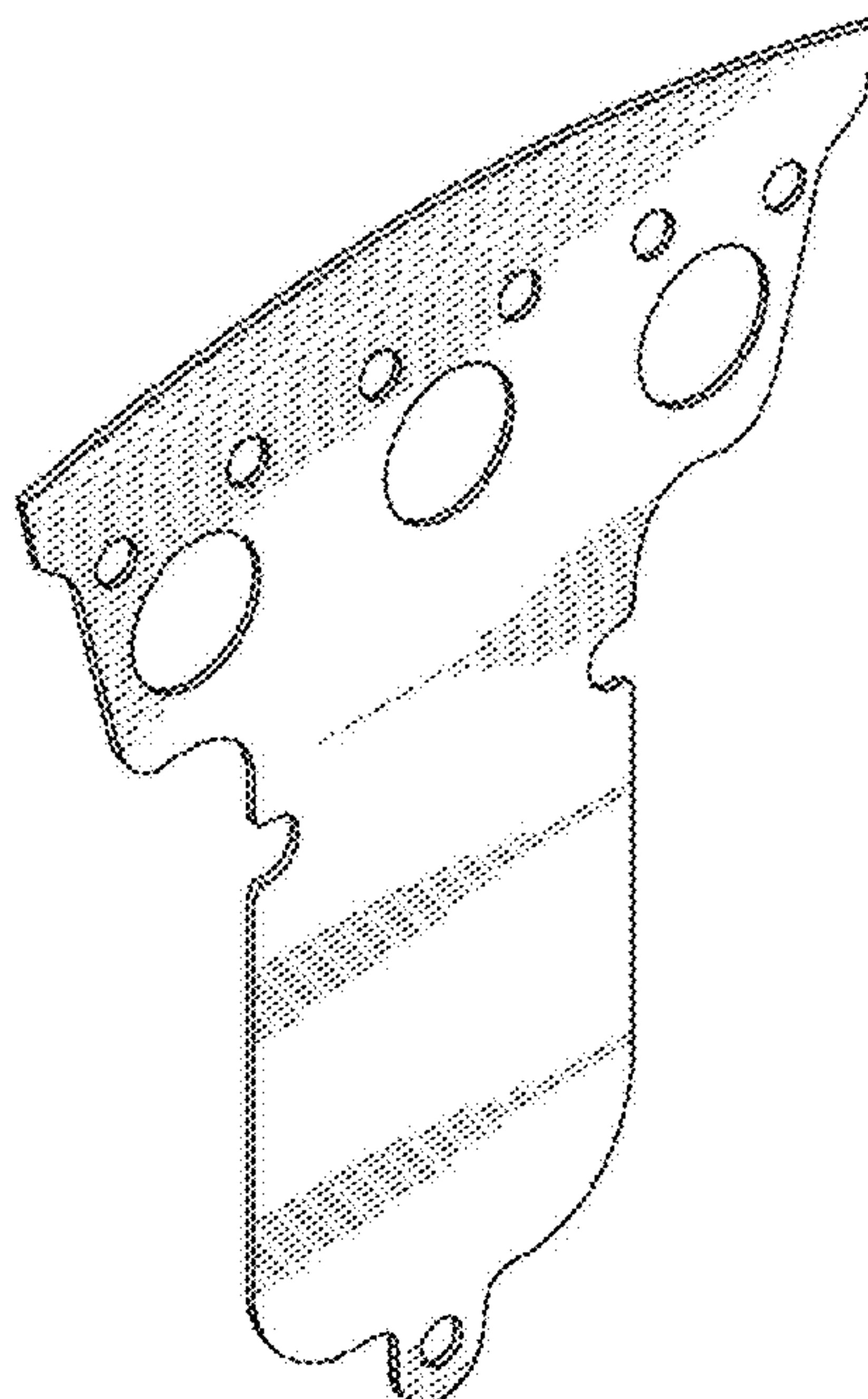
(58) **Field of Classification Search**

USPC ..... D13/154, 133, 148, 182, 110, 118, 120,  
D13/147, 184, 199; D15/138; D8/364

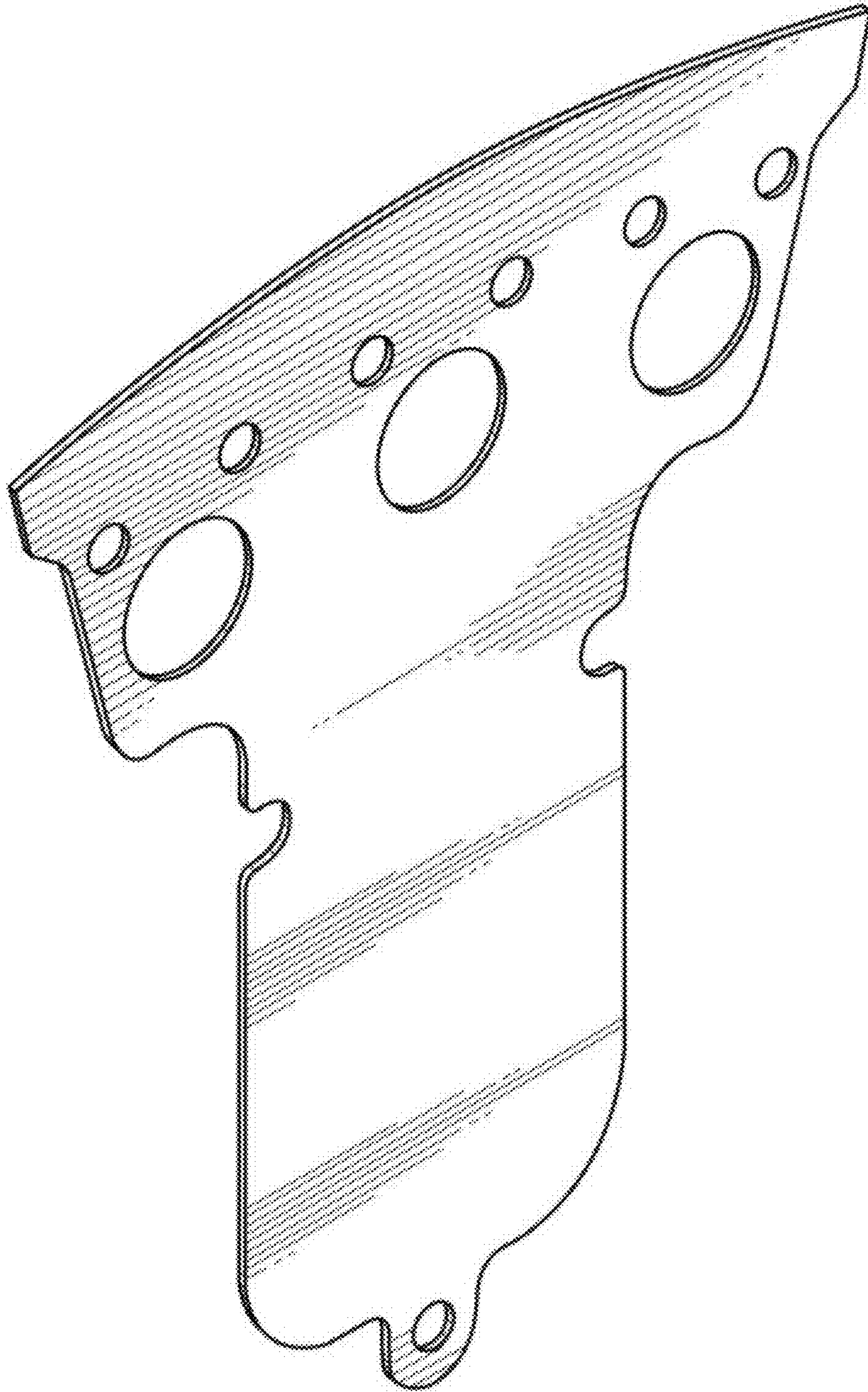
CPC ..... B24B 37/015; B24B 37/04; B24B 41/068;  
B65H 2701/11112; B65H 35/0013; H01L  
21/6838; H01L 21/68707; H01L  
21/68728; H01L 21/6875

See application file for complete search history.

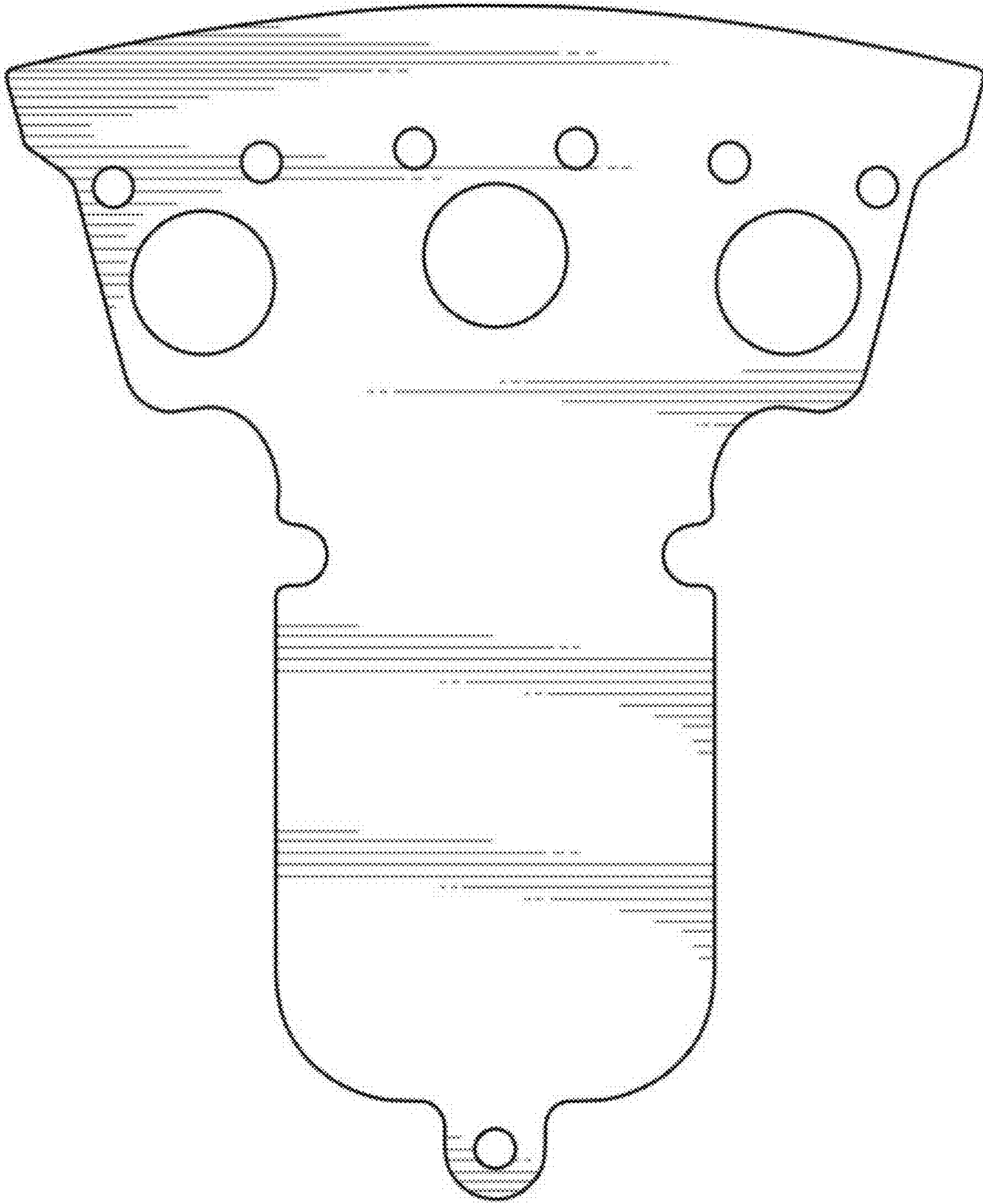
**1 Claim, 5 Drawing Sheets**



1.1



1.2



**1.3**

---



**1.4**

---

1.5

