



US00D892746S

(12) **United States Design Patent**
Tsai et al.

(10) **Patent No.:** **US D892,746 S**

(45) **Date of Patent:** **** Aug. 11, 2020**

(54) **WATERPROOF RECEPTACLE CONNECTOR**

(71) Applicant: **Advanced Connectek Inc.**, New Taipei (TW)

(72) Inventors: **Yu-Lun Tsai**, New Taipei (TW);
Pin-Yuan Hou, New Taipei (TW);
Hsien-Lung Huang, New Taipei (TW);
Hsu-Fen Wang, New Taipei (TW)

(73) Assignee: **Advanced Connectek Inc.**, New Taipei (TW)

(**) Term: **15 Years**

(21) Appl. No.: **29/669,739**

(22) Filed: **Nov. 10, 2018**

Related U.S. Application Data

(62) Division of application No. 29/645,504, filed on Apr. 26, 2018, now Pat. No. Des. 842,814, which is a division of application No. 29/581,702, filed on Oct. 21, 2016, now Pat. No. Des. 828,305.

(51) **LOC (12) Cl.** **13-03**

(52) **U.S. Cl.**
USPC **D13/147**

(58) **Field of Classification Search**
USPC D13/101, 112, 110, 118, 120, 123, 133,
D13/146, 147, 149, 154, 156, 182, 184,
D13/199; D14/356, 433, 435
CPC H01R 24/00; H01R 12/00; H01R 12/70;
H01R 13/62
See application file for complete search history.

(56) **References Cited**

U.S. PATENT DOCUMENTS

D503,150 S * 3/2005 Yamawaki D13/147
D608,288 S * 1/2010 Zhu D13/147
D831,576 S * 10/2018 Davidson D13/147

D835,585 S * 12/2018 Shirakata D13/147
D842,814 S * 3/2019 Tsai D13/147
D843,945 S * 3/2019 Naganuma D13/147
D851,043 S * 6/2019 Sakaizawa D13/147
10,454,206 B2 * 10/2019 Zhao H01R 13/6581
D866,470 S * 11/2019 Sprenger D13/133
D867,301 S * 11/2019 Saitou D13/147
2009/0298336 A1 * 12/2009 Xiong H01R 13/648
439/607.01

(Continued)

OTHER PUBLICATIONS

“ACON Advanced Connectek”. Found online May 19, 2020 at youtube.com. Reference dated Oct. 7, 2010. Retrieved from https://www.youtube.com/watch?v=9zryM460ta8&feature=emb_logo. (Year: 2010).*

(Continued)

Primary Examiner — Kendra Leslie Hamilton

Assistant Examiner — Amanda Christensen

(74) *Attorney, Agent, or Firm* — JCIPRNET

(57) **CLAIM**

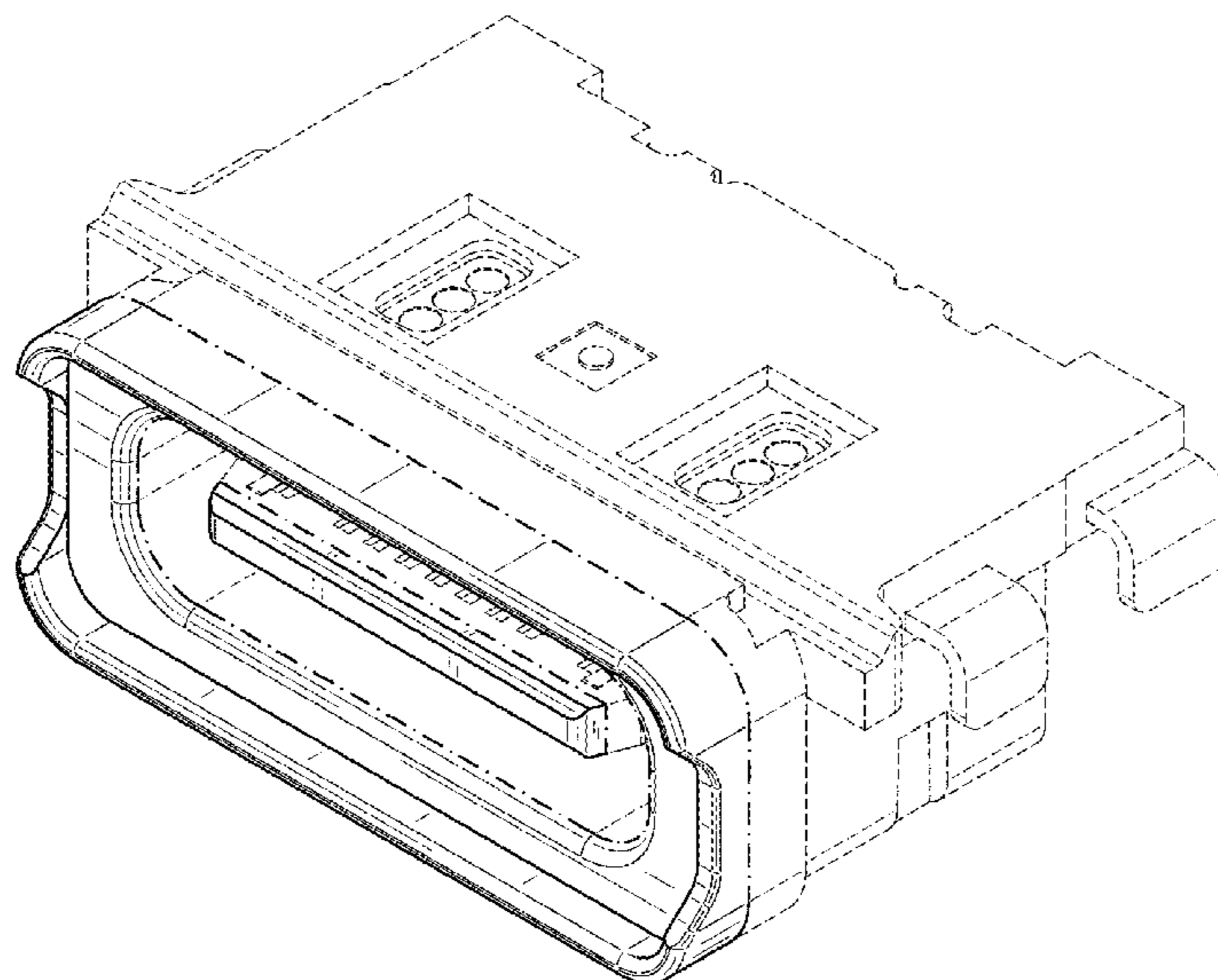
The ornamental design for a waterproof receptacle connector, as shown and described.

DESCRIPTION

FIG. 1 is a front, top, right perspective view of a waterproof receptacle connector, showing our new design; FIG. 2 is a front, bottom, left perspective view thereof; FIG. 3 is a front elevation view thereof; FIG. 4 is a rear elevation view thereof; FIG. 5 is a left side elevation view thereof; FIG. 6 is a right side elevation view thereof; FIG. 7 is a top plan view thereof; and, FIG. 8 is a bottom plan view thereof.

The broken lines depict portions of the waterproof receptacle connector that form no part of the claimed design. The dot-dash broken lines define the boundaries of the claim.

1 Claim, 5 Drawing Sheets



(56)

References Cited

U.S. PATENT DOCUMENTS

2010/0255731 A1* 10/2010 Oyake H01R 13/6473
439/660

OTHER PUBLICATIONS

“CUI Devices”. Found online May 19, 2020 at futureelectronics.com. Reference dated 2015. Retrieved from <https://www.futureelectronics.com/p/interconnect--connectors-data-teleconn--usb-connectors/uj31-ch-g2-smt-tr-cui-devices-6094634>. (Year: 2015).*

“TE Connectivity Waterproof USB Connectors”. Found online May 19, 2020 at te.com. Reference dated Apr. 18, 2018. Retrieved from <https://www.te.com/usa-en/about-te/news-center/new-waterproof-usb-type-c.html>. (Year: 2018).*

* cited by examiner

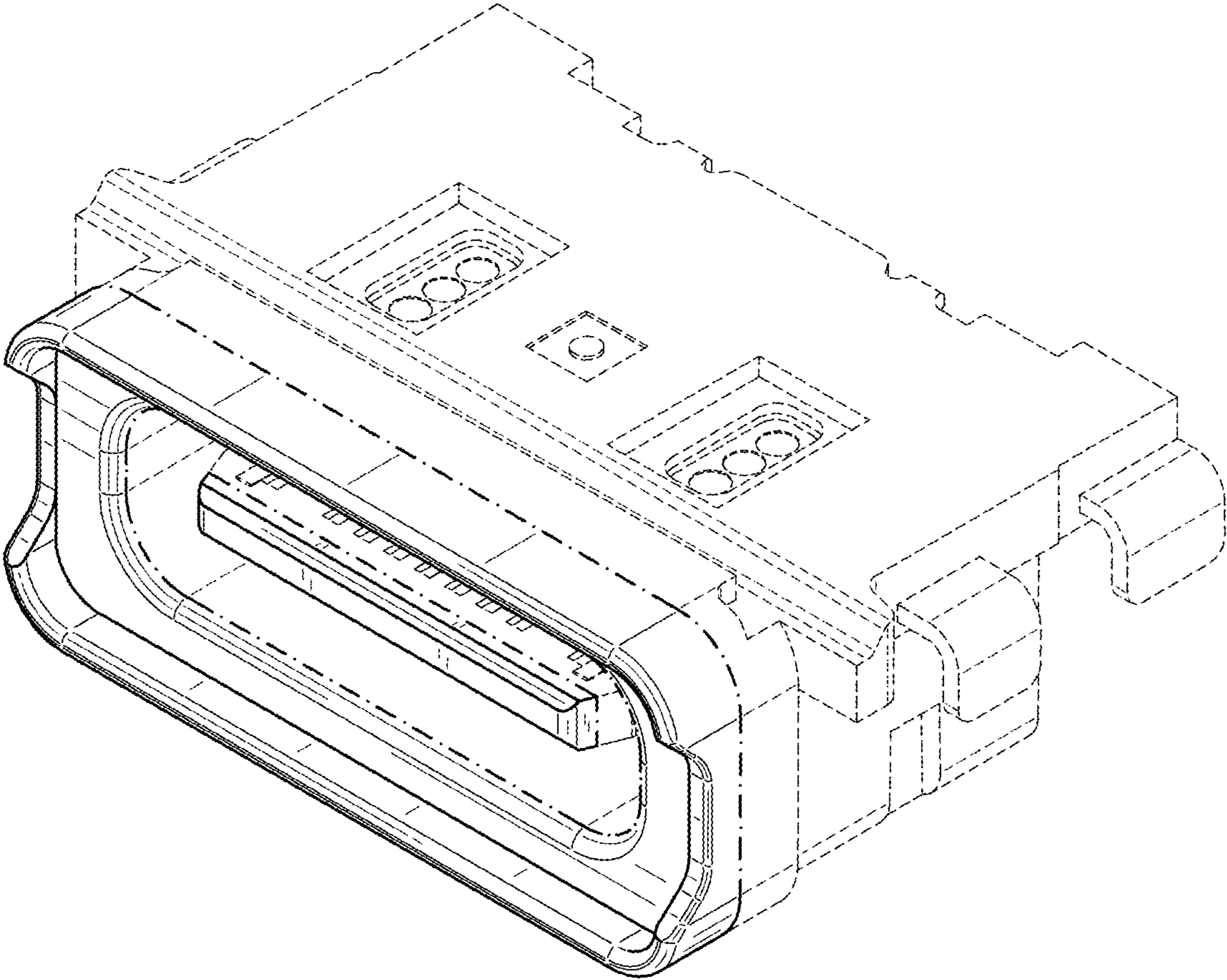


FIG. 1

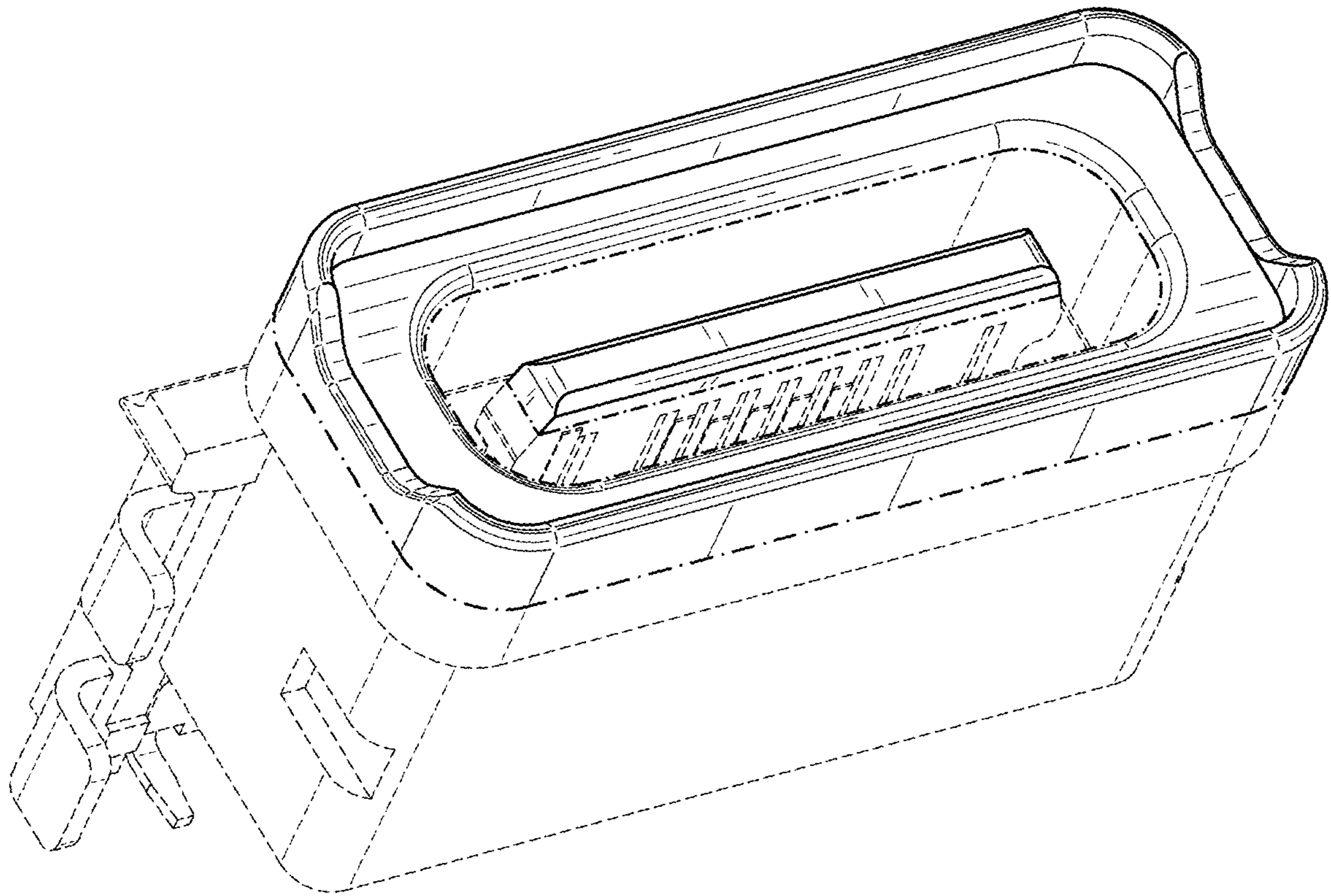


FIG. 2

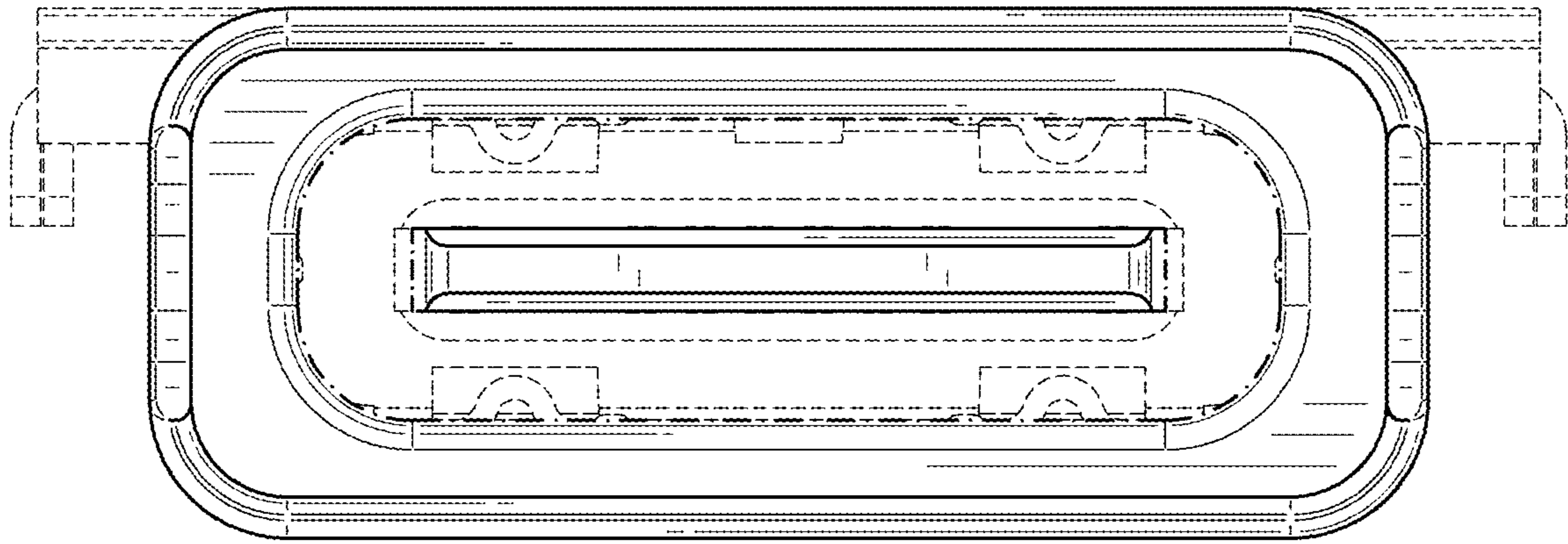


FIG. 3

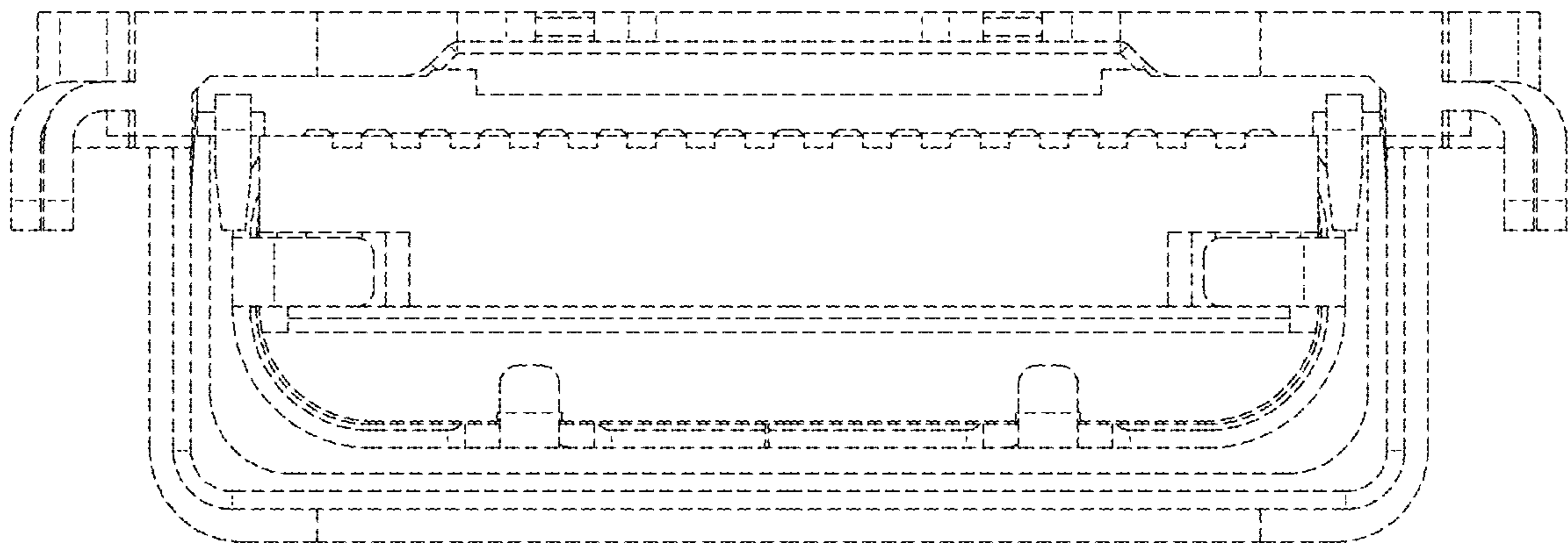


FIG. 4

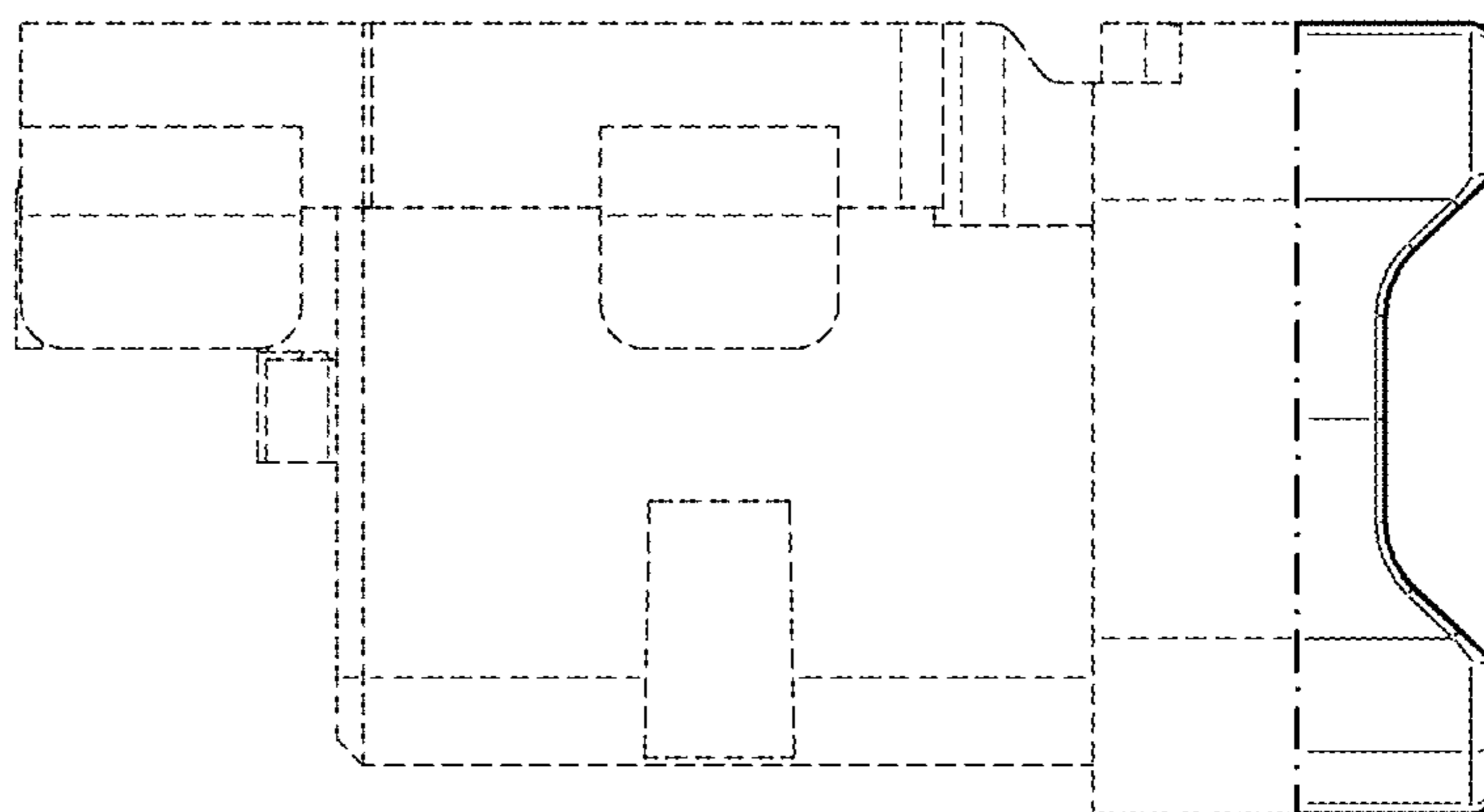


FIG. 5

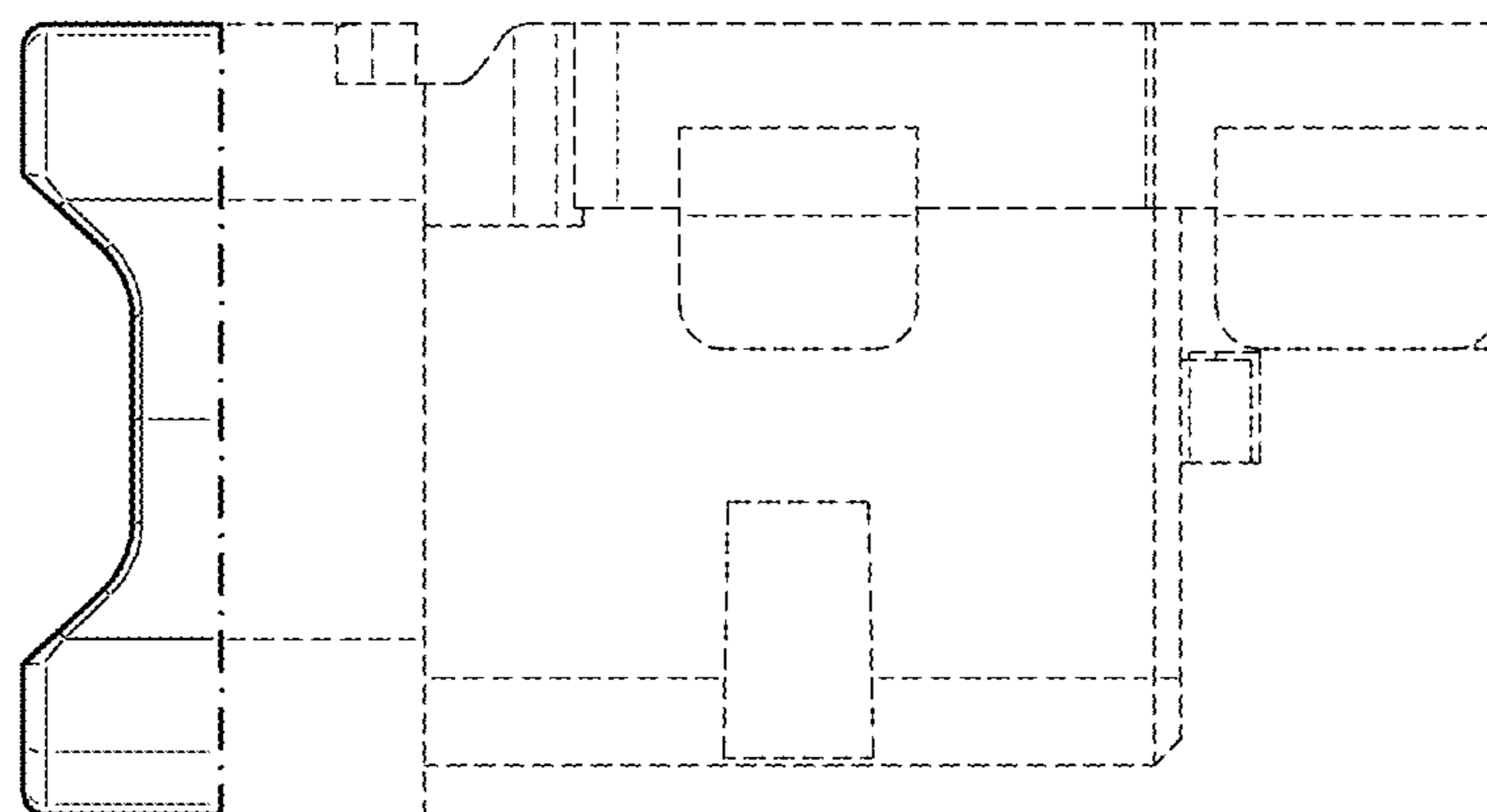


FIG. 6

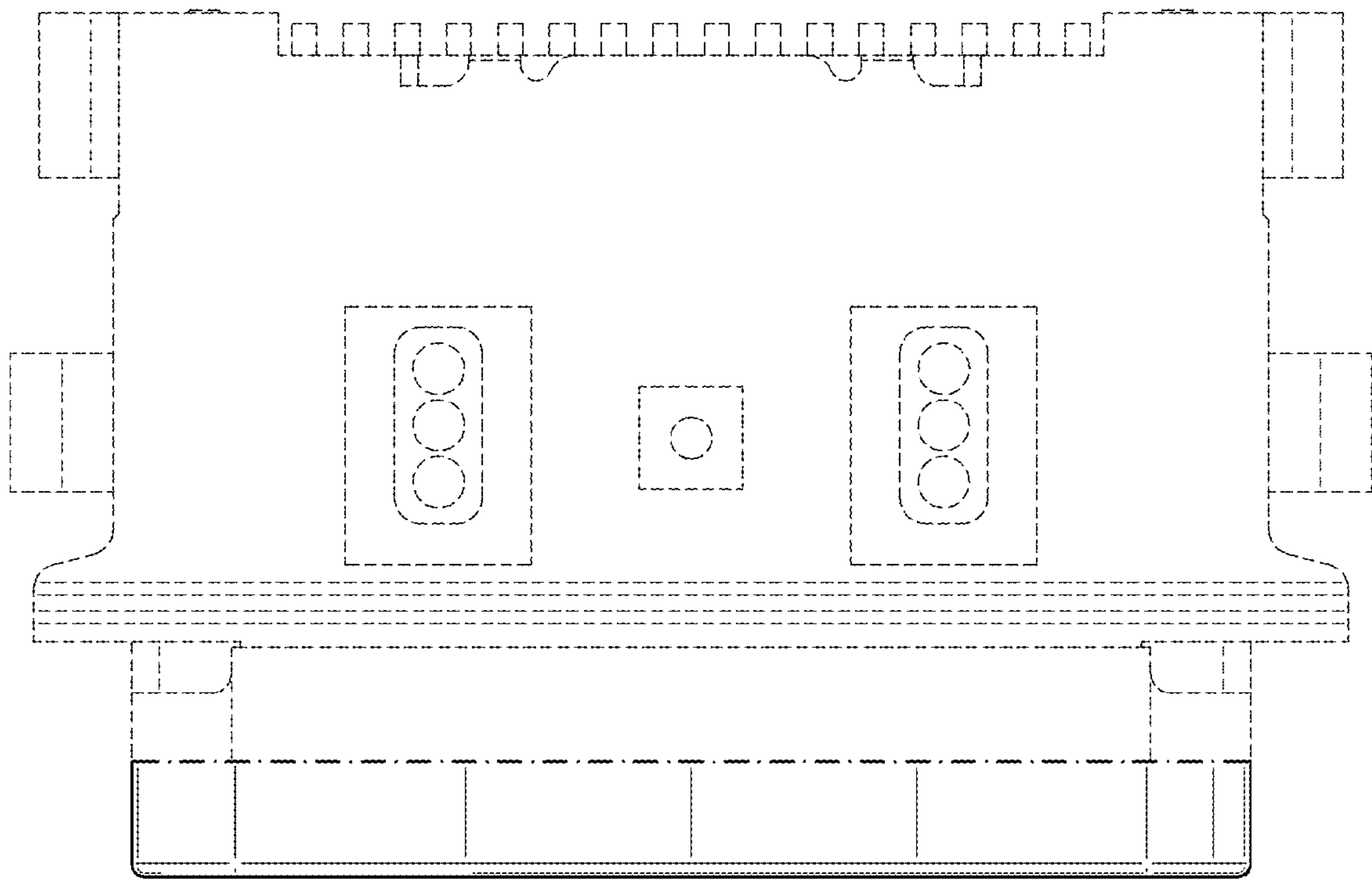


FIG. 7

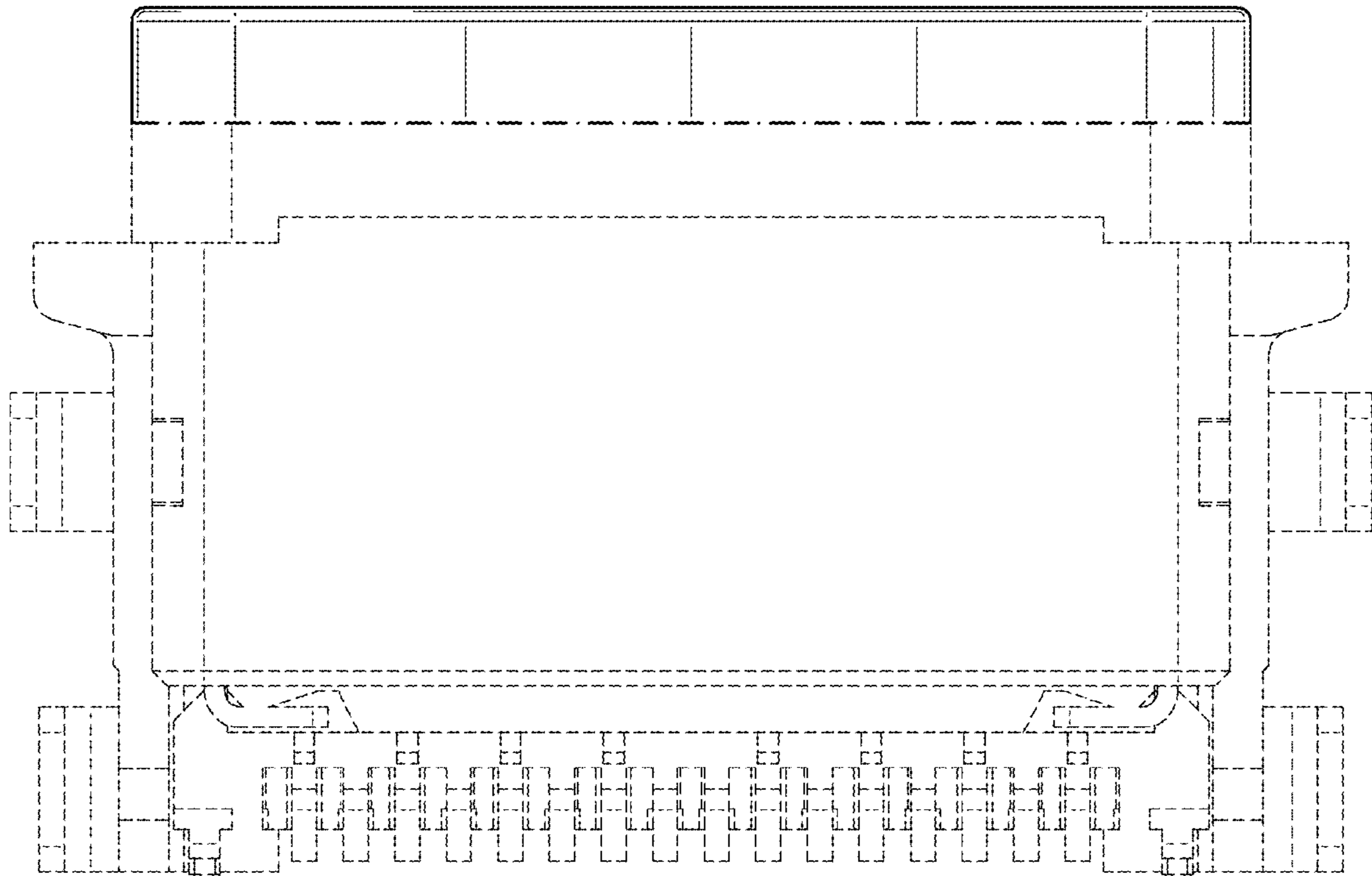


FIG. 8