



US00D892744S

(12) **United States Design Patent** (10) **Patent No.:** **US D892,744 S**
Lu (45) **Date of Patent:** **** Aug. 11, 2020**

(54) **POWER CONNECTOR**

(71) Applicant: **Qingdao Cailing Trading Co., Ltd.**,
Qingdao, Shandong Province (CN)

(72) Inventor: **Ligang Lu**, Shandong Province (CN)

(**) Term: **15 Years**

(21) Appl. No.: **29/729,212**

(22) Filed: **Mar. 25, 2020**

(51) **LOC (12) Cl.** **13-03**

(52) **U.S. Cl.**
USPC **D13/133**

(58) **Field of Classification Search**
USPC D13/118, 123, 133, 146, 149, 154, 173,
D13/184, 199

CPC H01R 13/422; H01R 13/62; H01R 13/627;
H01R 13/639; H01R 13/64; H01R 13/645

See application file for complete search history.

(56) **References Cited**

U.S. PATENT DOCUMENTS

3,254,321	A *	5/1966	West	H01R 13/6275	439/357
D302,422	S *	7/1989	Justiano	D13/133	
D313,970	S *	1/1991	Reeves	D13/147	
D323,316	S *	1/1992	Ohkura	D13/133	
D324,026	S *	2/1992	Ichida	D13/133	
D325,024	S *	3/1992	Suzuki	D13/133	
5,160,279	A *	11/1992	Sagawa	H01R 13/422	439/595

D331,910	S *	12/1992	Sato	D13/133	
D809,464	S *	2/2018	Lin	D13/147	
D836,557	S *	12/2018	Luo	D13/147	
D873,773	S	1/2020	Cao			
D884,638	S *	5/2020	Kim	D13/133	
2002/0114583	A1 *	8/2002	Asada	G02B 6/3849	385/78
2015/0017841	A1 *	1/2015	Chen	H01R 13/64	439/680

* cited by examiner

Primary Examiner — Angela J Lee

Assistant Examiner — Shawn T Gingrich

(74) *Attorney, Agent, or Firm* — ZANIP

(57) **CLAIM**

The ornamental design for a power connector, as shown and described.

DESCRIPTION

FIG. 1 is a front and bottom perspective view of a power connector, showing my new design;

FIG. 2 is a rear and top perspective view thereof;

FIG. 3 is a front elevational view thereof;

FIG. 4 is a rear elevational view thereof;

FIG. 5 is a left side elevational view thereof;

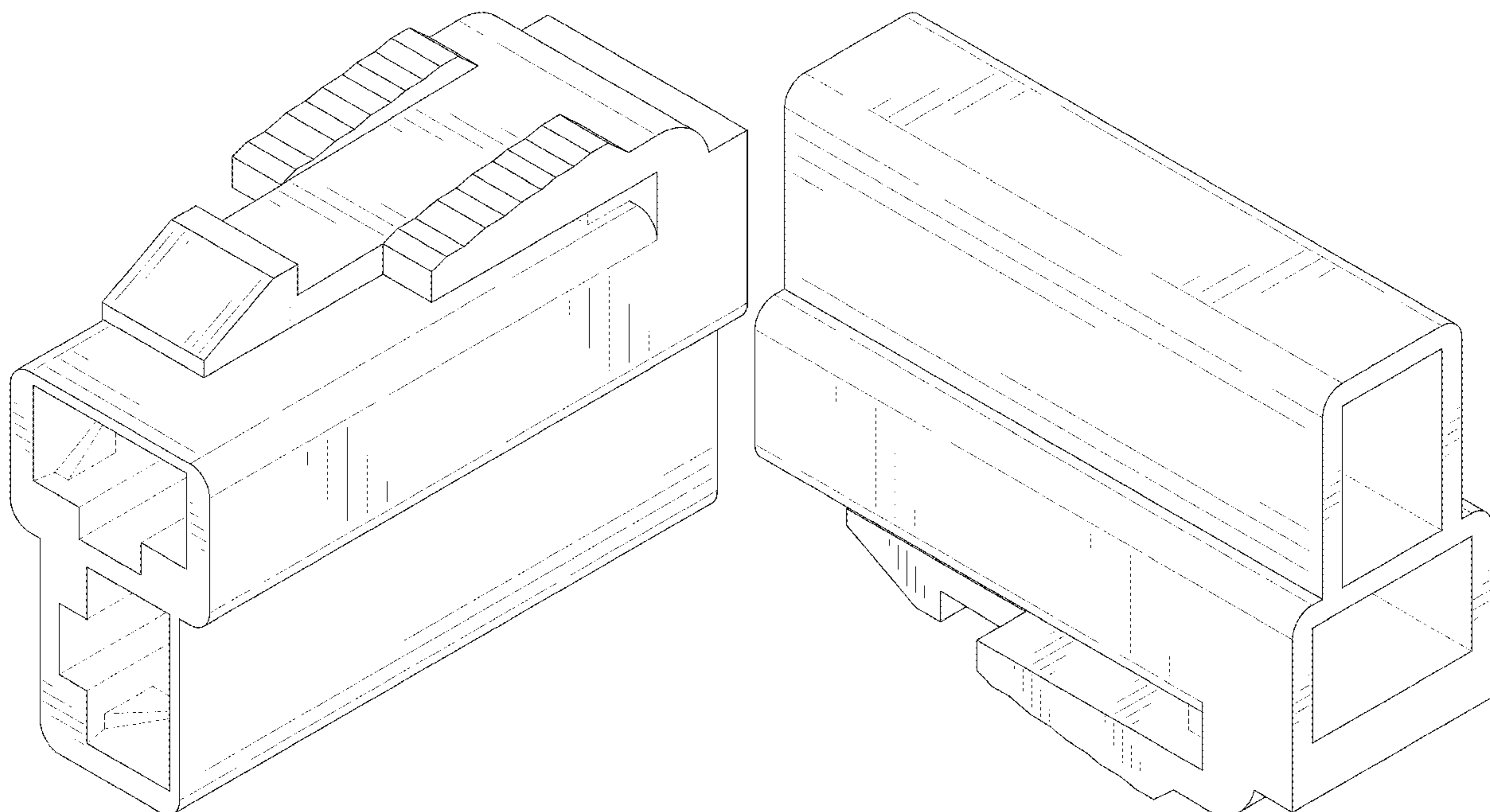
FIG. 6 is a right side elevational view thereof;

FIG. 7 is a top plan view thereof; and,

FIG. 8 is a bottom plan view thereof.

The broken lines in the figures illustrate portions of the power connector that form no part of the claimed design.

1 Claim, 8 Drawing Sheets



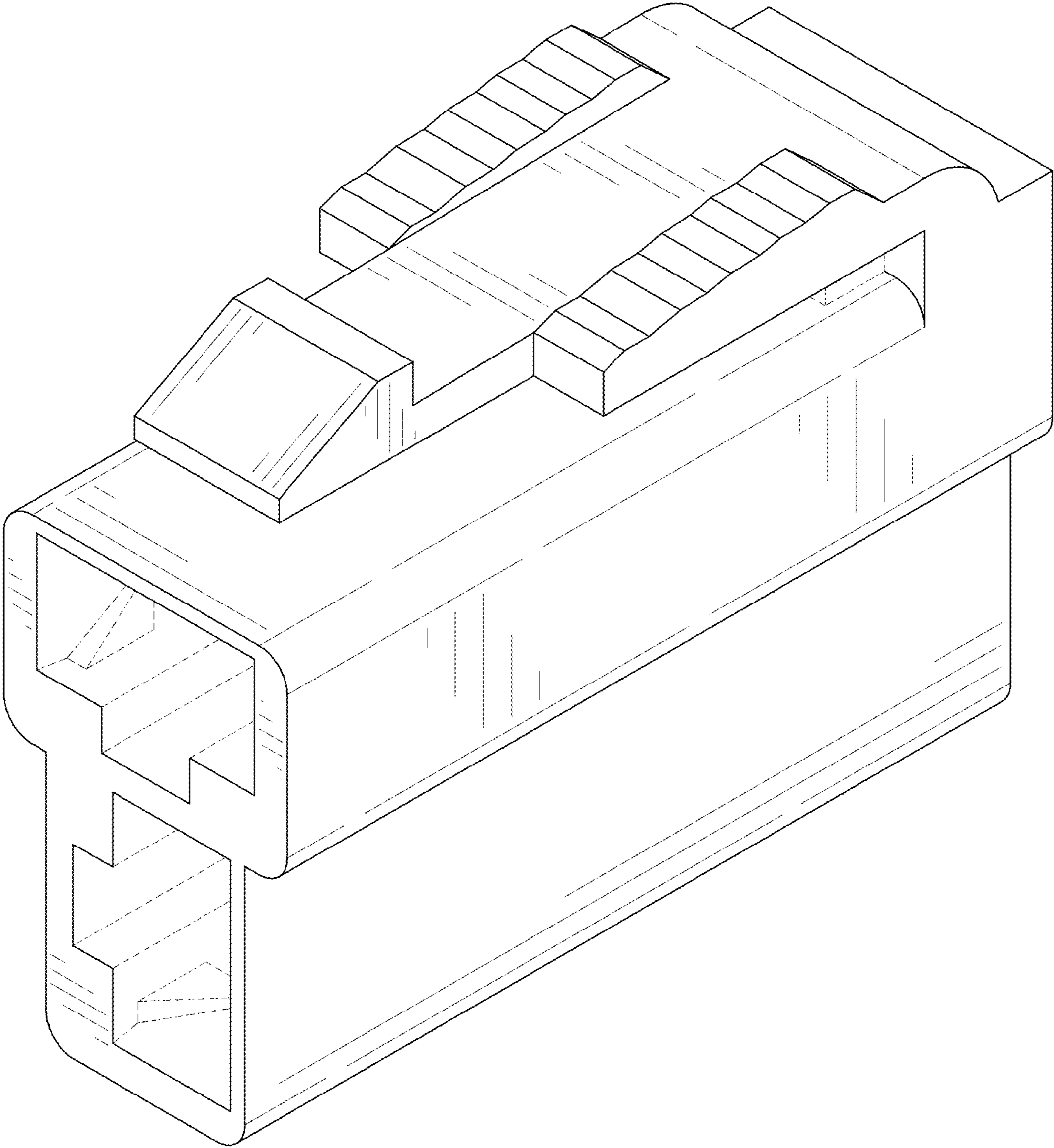


FIG. 1

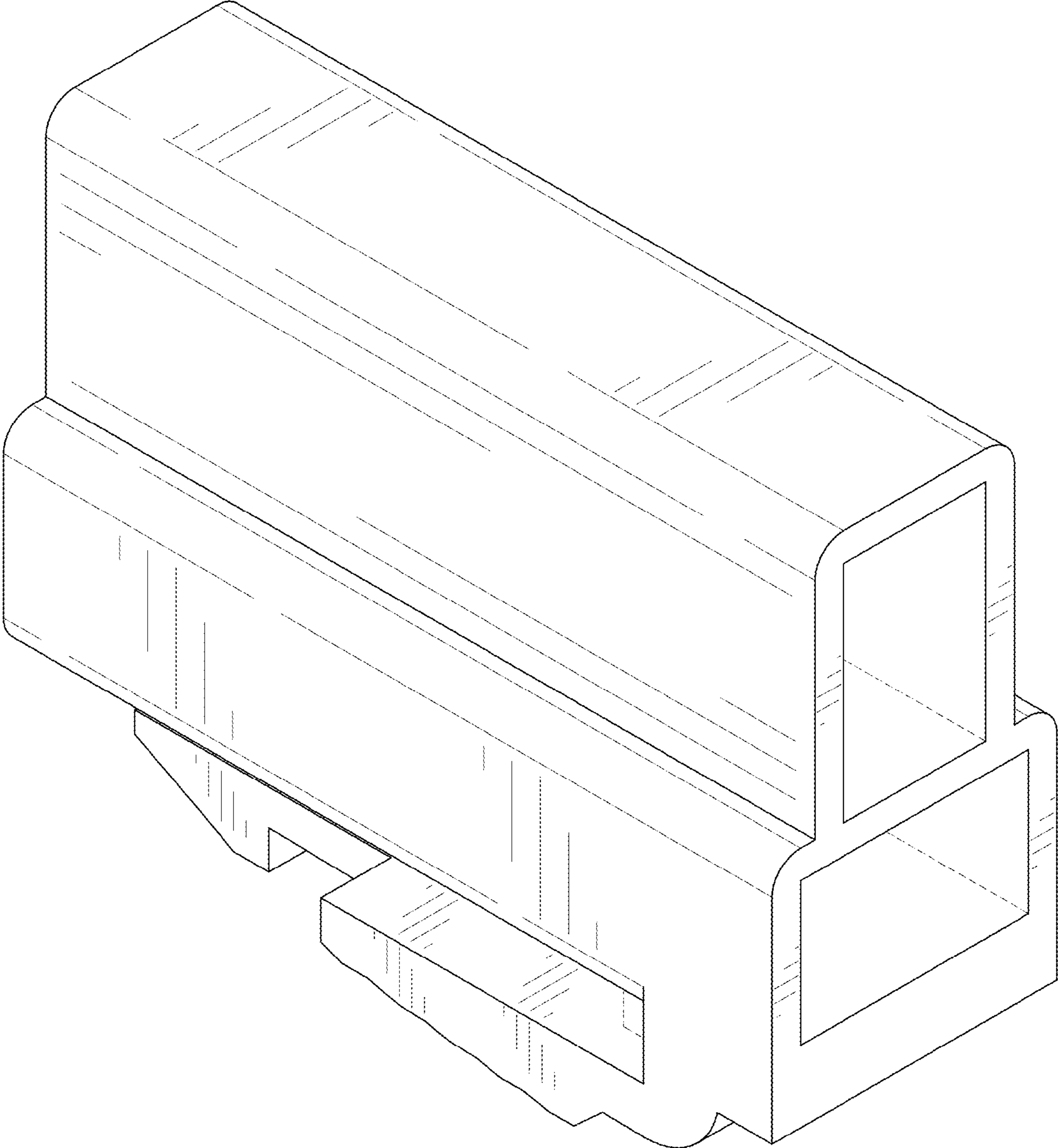


FIG. 2

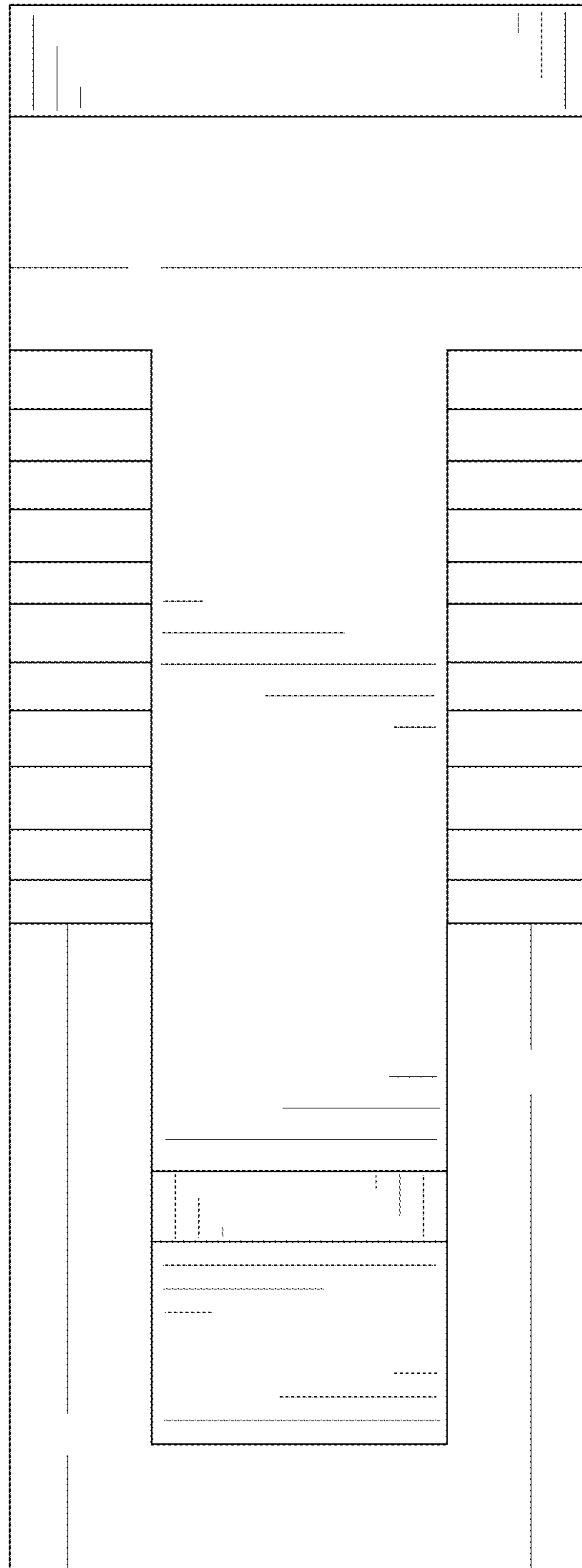


FIG. 3

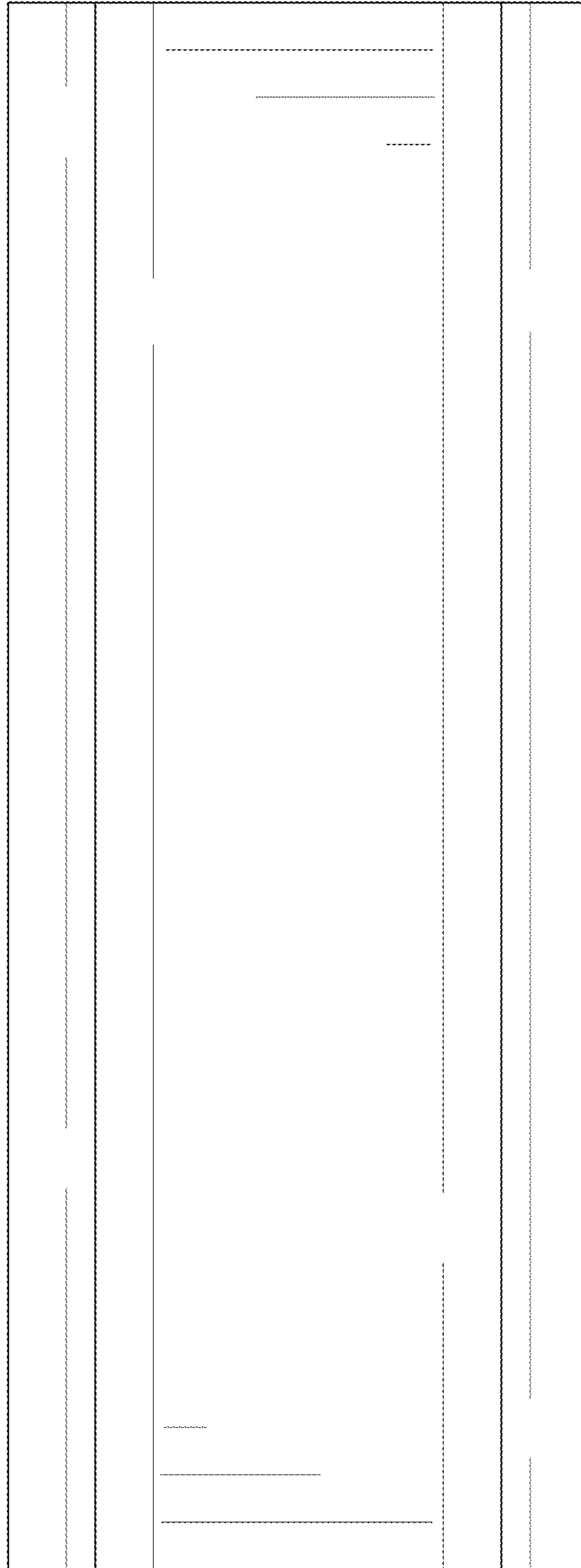


FIG. 4

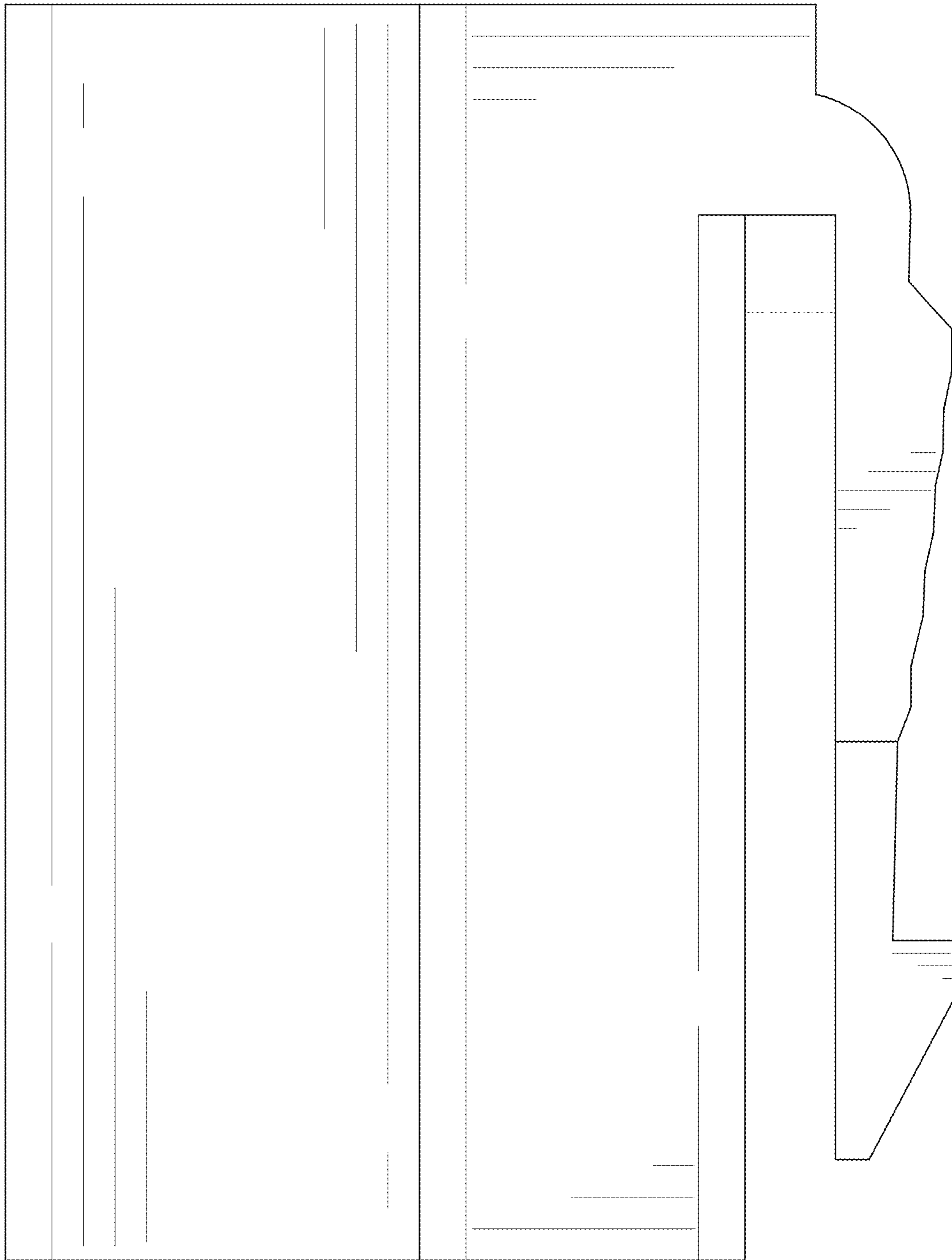


FIG. 5

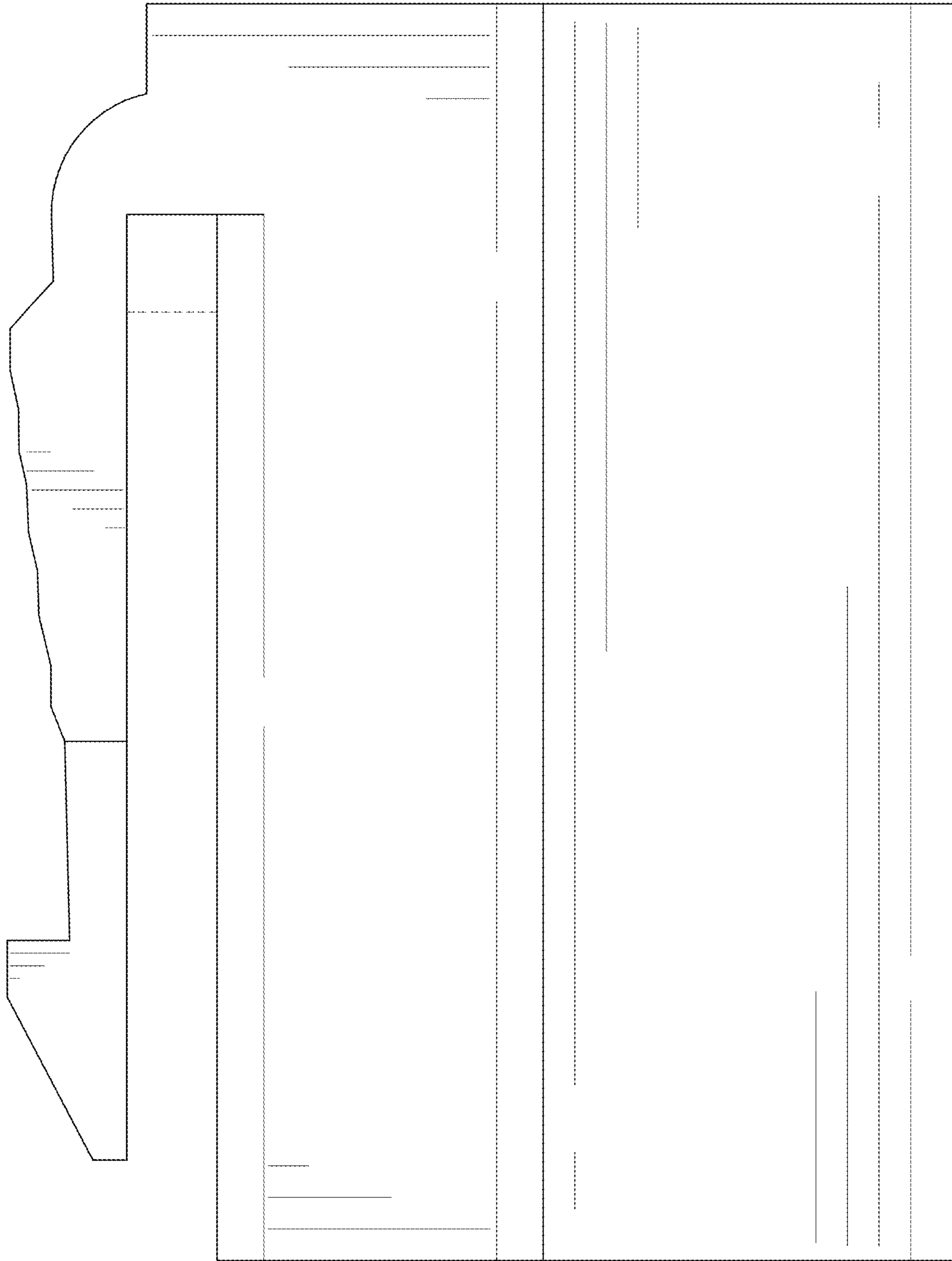


FIG. 6

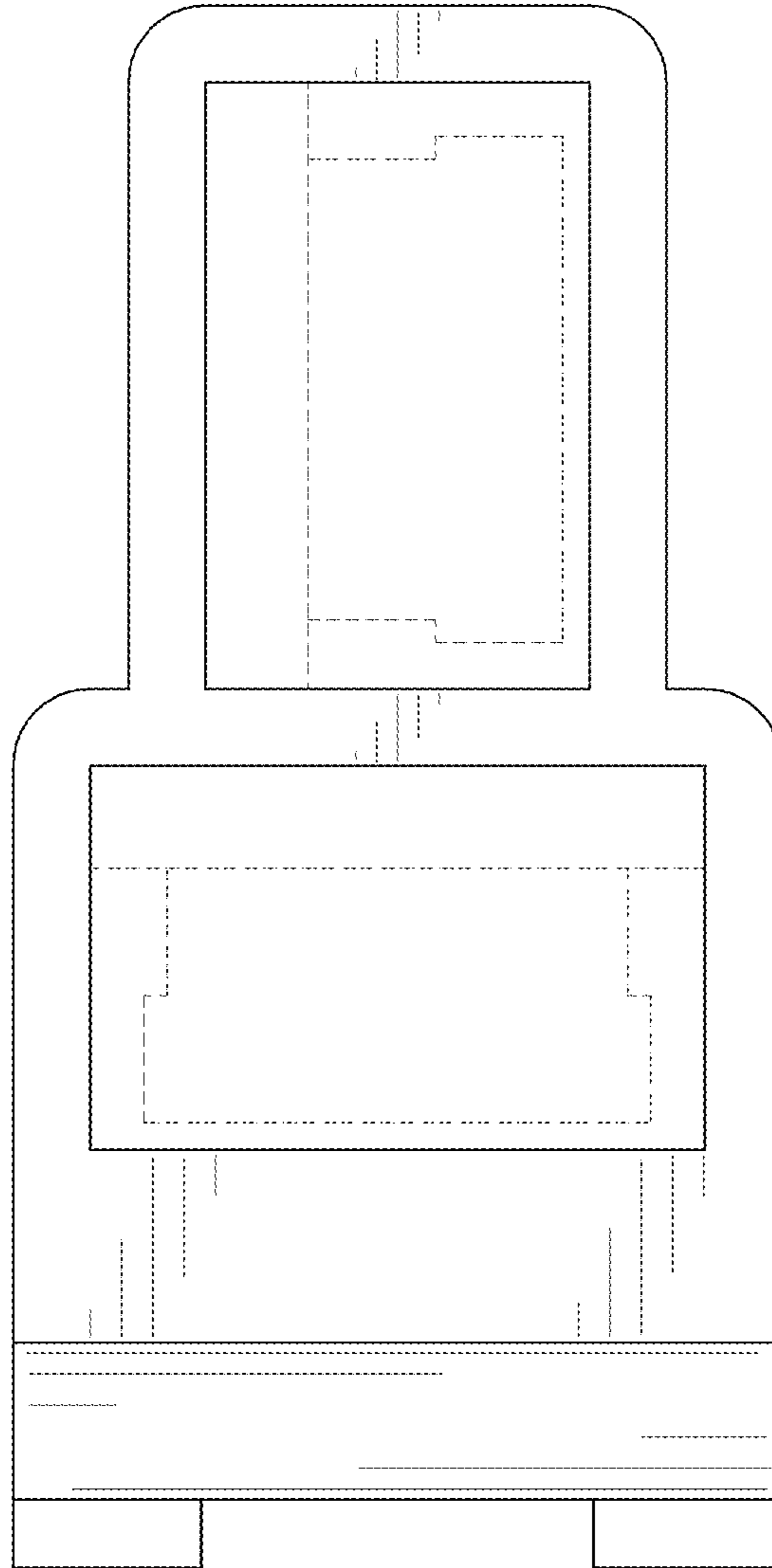


FIG. 7

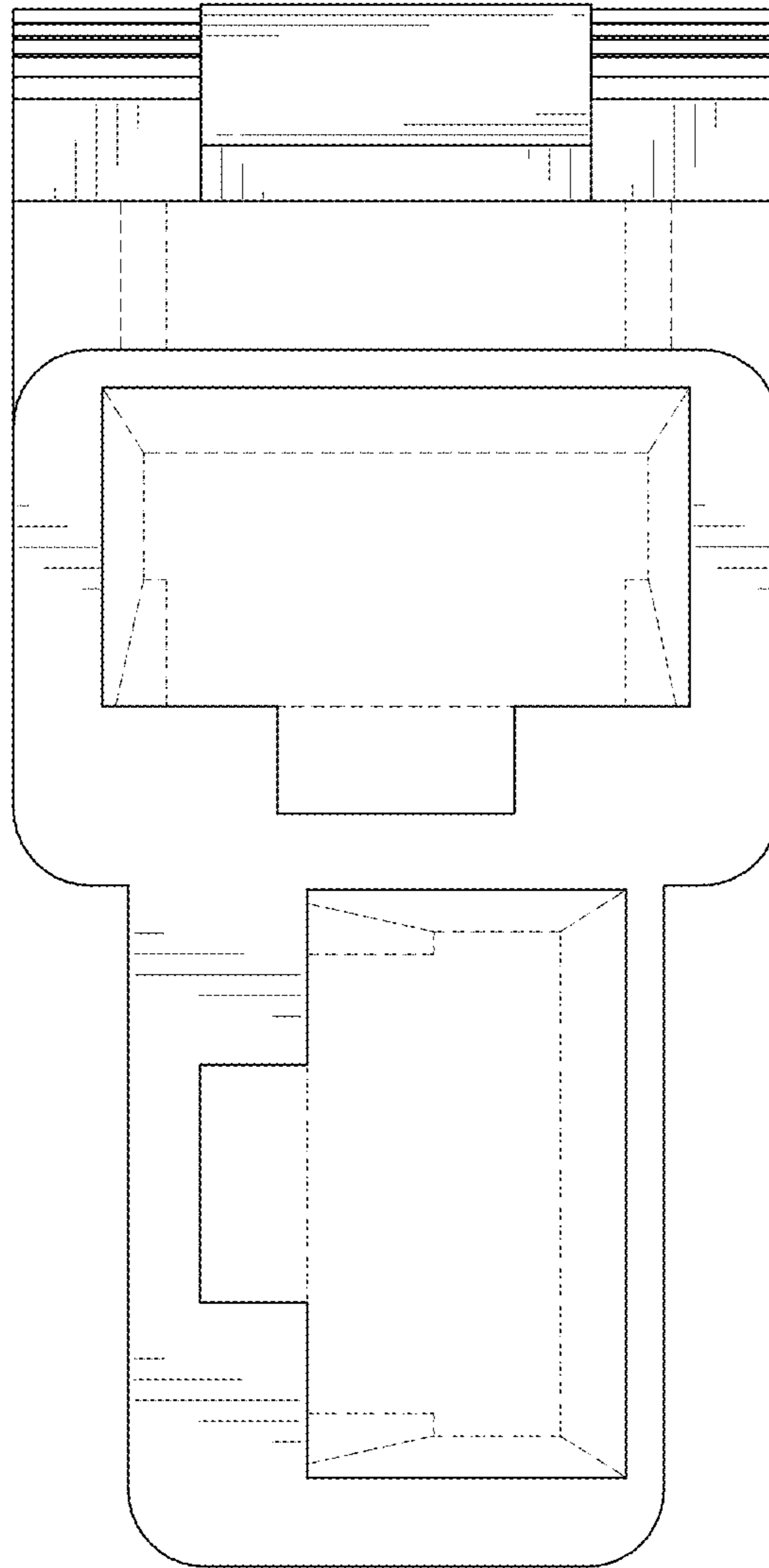


FIG. 8