



US00D892742S

(12) **United States Design Patent**  
**Hsu et al.**

(10) **Patent No.:** **US D892,742 S**

(45) **Date of Patent:** **\*\* Aug. 11, 2020**

- (54) **OPTICAL FIBER CONNECTOR**
- (71) Applicant: **ACON OPTICS COMMUNICATIONS INC.**, New Taipei (TW)
- (72) Inventors: **Huan-Pin Hsu**, New Taipei (TW); **Chih-Jen Hsiao**, New Taipei (TW)
- (73) Assignee: **ACON OPTICS COMMUNICATIONS INC.**, New Taipei (TW)
- (\*\*) Term: **15 Years**
- (21) Appl. No.: **29/649,949**
- (22) Filed: **Jun. 4, 2018**
- (51) **LOC (12) Cl.** ..... **13-03**
- (52) **U.S. Cl.**  
USPC ..... **D13/133**
- (58) **Field of Classification Search**  
USPC ..... D14/238.1, 240, 242, 356, 357, 358, D14/432-434, 439, 453, 454; D13/103, D13/107, 108, 110, 133, 134, D13/137.1-137.4, 138.1, 146, 147, 149, D13/154, 173, 184  
CPC ..... G02B 6/38; G02B 6/3826; G02B 6/3869; G02B 6/3887; G02B 6/3893; G06Q 20/202; G06Q 20/322; G06Q 20/32; G06Q 20/20; G06Q 20/327  
See application file for complete search history.

(56) **References Cited**

**U.S. PATENT DOCUMENTS**

- D434,376 S \* 11/2000 Connelly ..... D13/133
- 6,565,262 B2 \* 5/2003 Childers ..... G02B 6/3869  
385/76
- 7,658,551 B1 \* 2/2010 Wu ..... G02B 6/3887  
385/78

- D619,100 S \* 7/2010 Larson ..... D13/154
- 8,221,007 B2 \* 7/2012 Peterhans ..... G02B 6/3893  
385/53
- D705,168 S \* 5/2014 Yamauchi ..... D13/133
- D705,169 S \* 5/2014 Yamauchi ..... D13/133
- D783,618 S \* 4/2017 Wu ..... D13/133
- 9,618,703 B2 \* 4/2017 Iizumi ..... G02B 6/3821
- 9,967,983 B2 \* 5/2018 Coffey ..... H01R 13/518
- D830,304 S \* 10/2018 Choi ..... D13/133
- 10,520,687 B2 \* 12/2019 Lee ..... G02B 6/3869
- D879,039 S \* 3/2020 Wu ..... D13/133
- D882,518 S \* 4/2020 Otsu ..... D13/133
- D883,931 S \* 5/2020 Otsu ..... D13/133
- 2004/0202431 A1 \* 10/2004 Bates, III ..... G02B 6/3893  
385/78
- 2009/0269014 A1 \* 10/2009 Winberg ..... G02B 6/3846  
385/78

(Continued)

*Primary Examiner* — Jeffrey D Asch

*Assistant Examiner* — Rebekah A Caruso

(74) *Attorney, Agent, or Firm* — Innovation Capital Law Group, LLP; Vic Lin

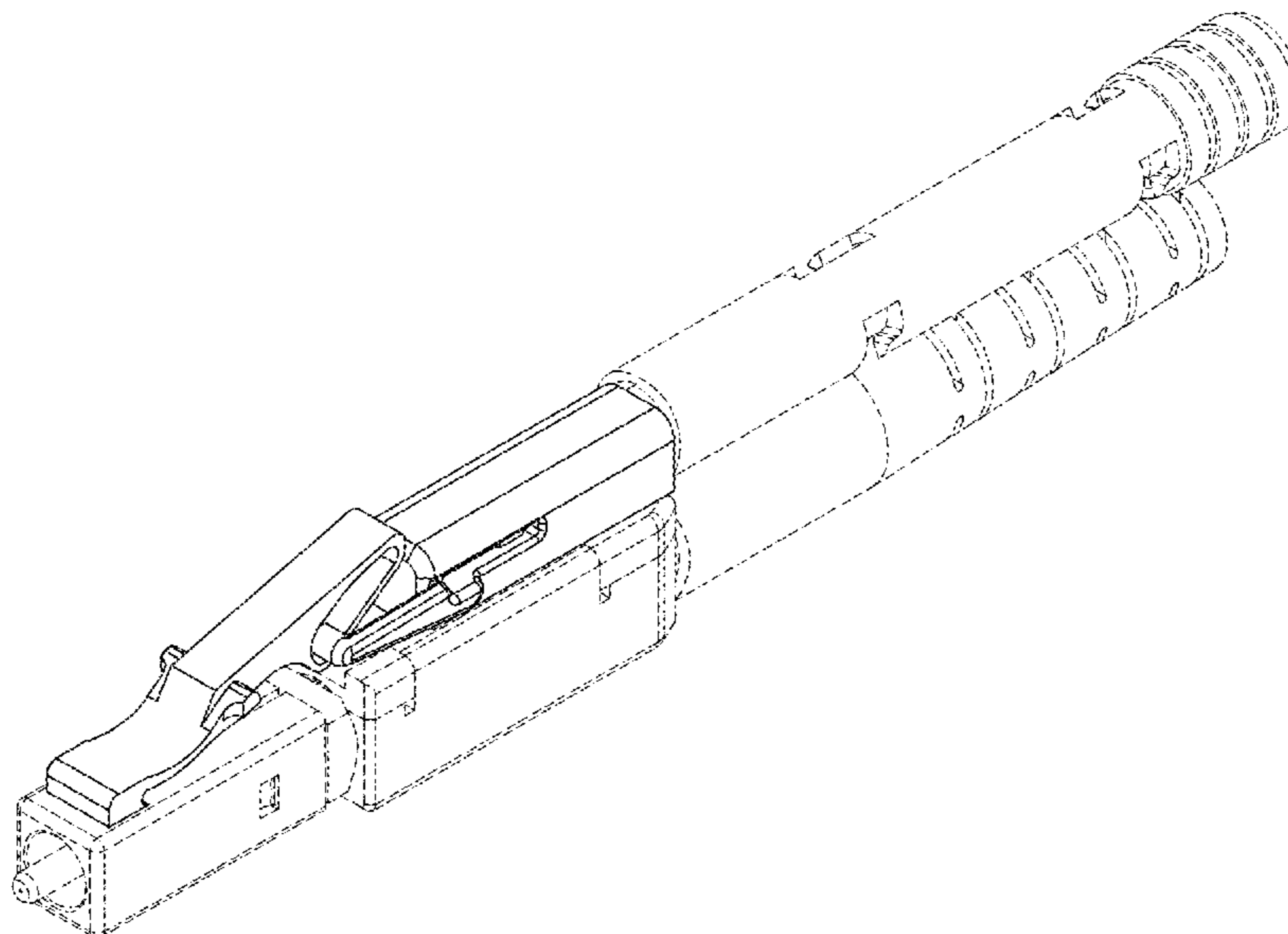
(57) **CLAIM**

The ornamental design for an optical fiber connector, as shown and described.

**DESCRIPTION**

FIG. 1 is a top perspective view of an optical fiber connector showing our new design;  
 FIG. 2 is a front elevational view thereof;  
 FIG. 3 is a rear elevational view thereof;  
 FIG. 4 is a left side elevational view thereof;  
 FIG. 5 is a right side elevational view thereof;  
 FIG. 6 is a top plan view thereof;  
 FIG. 7 is a bottom plan view thereof;  
 FIG. 8 is an exploded top perspective view thereof; and,  
 FIG. 9 is an exploded bottom perspective view thereof.  
 The broken lines in the figures depict portions of the article that form no part of the claimed design.

**1 Claim, 8 Drawing Sheets**



(56)

**References Cited**

U.S. PATENT DOCUMENTS

2010/0272397 A1\* 10/2010 Komaki ..... G02B 6/3869  
385/72  
2011/0097044 A1\* 4/2011 Saito ..... G02B 6/3846  
385/83  
2011/0243506 A1\* 10/2011 Hsu ..... G02B 6/3869  
385/76  
2012/0027360 A1\* 2/2012 Larson ..... G02B 6/3818  
385/78  
2012/0146660 A1\* 6/2012 Mattson ..... H01R 13/5213  
324/538  
2013/0051734 A1\* 2/2013 Shen ..... G02B 6/3821  
385/78  
2015/0253517 A1\* 9/2015 Taira ..... G02B 6/3869  
385/139  
2015/0331202 A1\* 11/2015 Rosson ..... G02B 6/3869  
156/66  
2016/0231512 A1\* 8/2016 Seki ..... G02B 6/3893  
2017/0235063 A1\* 8/2017 Ahmed ..... G02B 6/3821  
385/78  
2017/0299818 A1\* 10/2017 Chang ..... G02B 6/3825  
2018/0217339 A1\* 8/2018 Ma ..... G02B 6/3885

\* cited by examiner

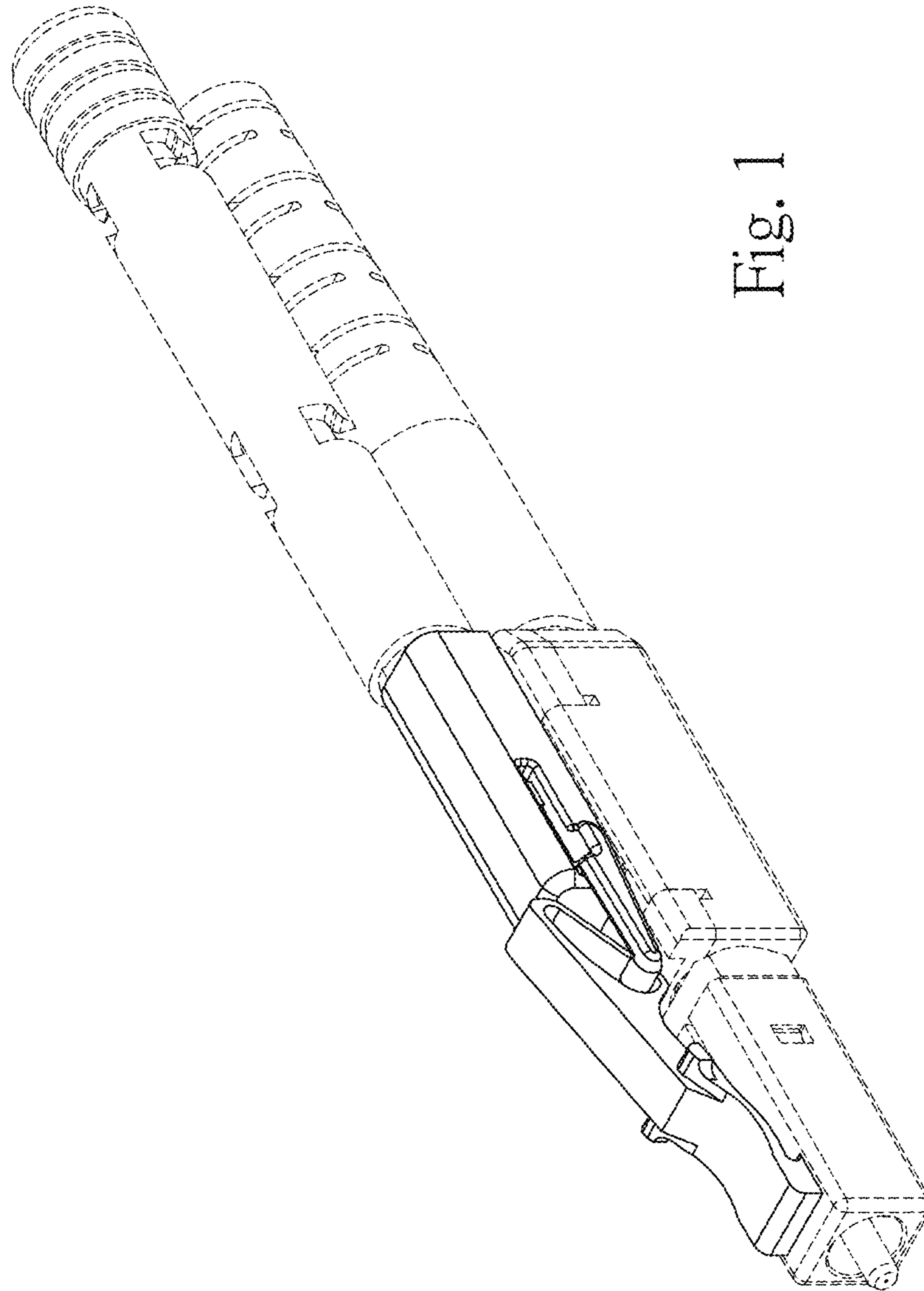


Fig. 1

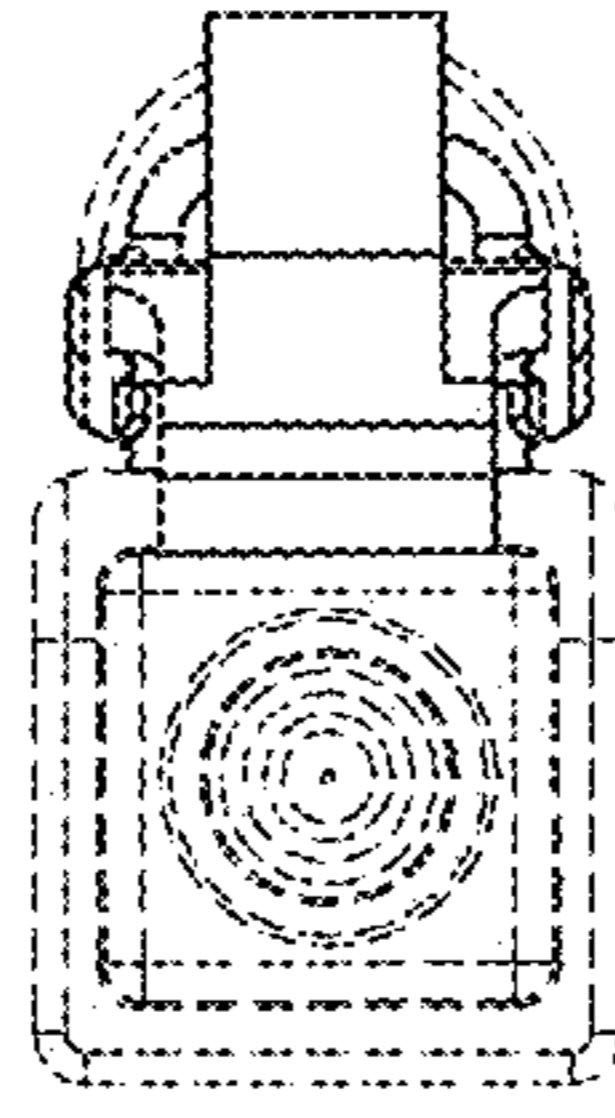


Fig. 2

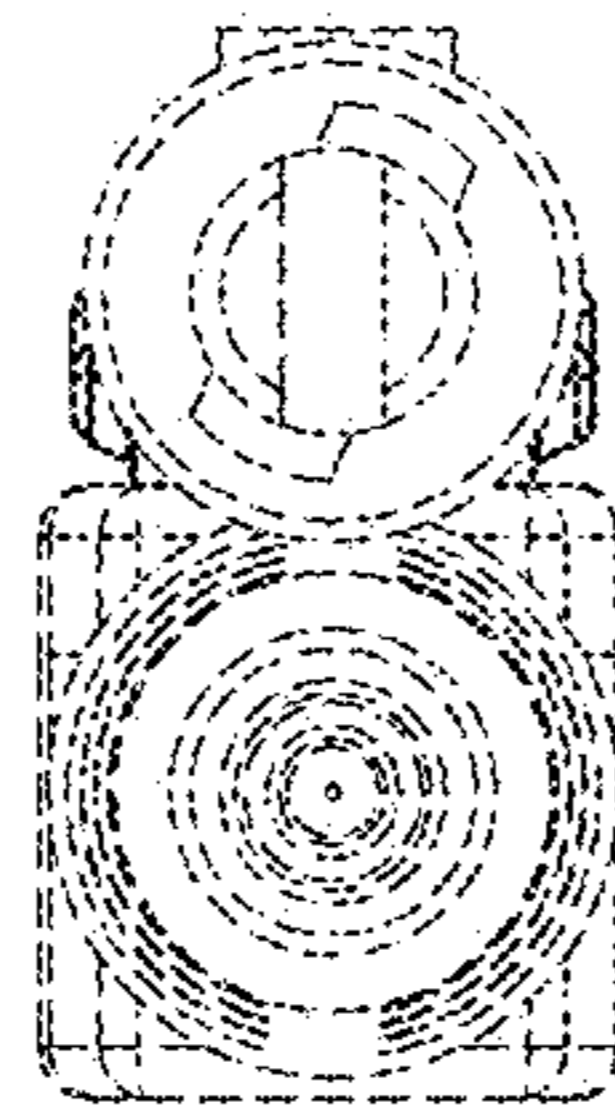


Fig. 3

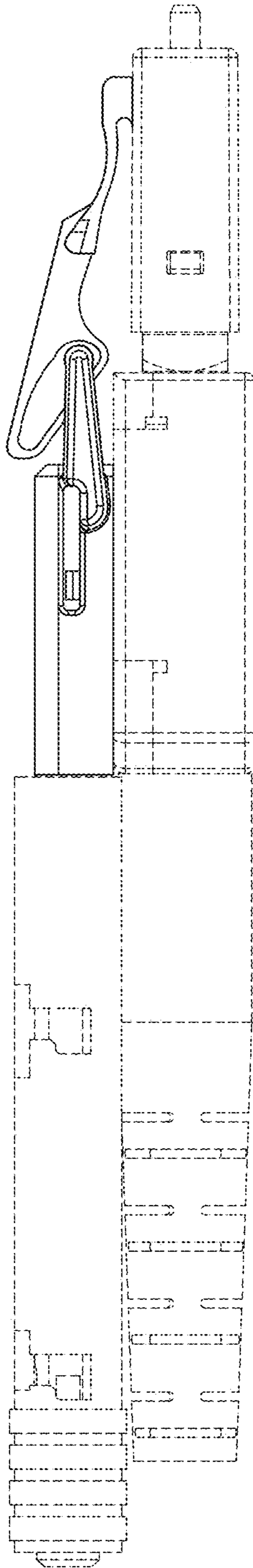


Fig. 4

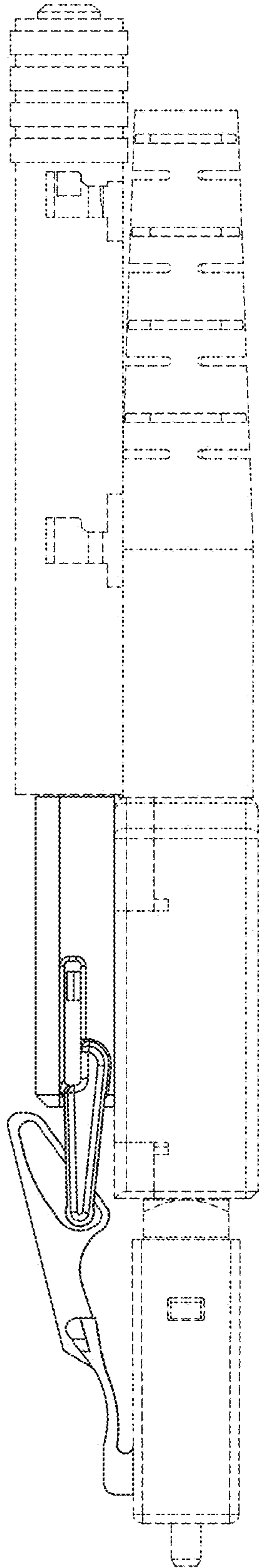


Fig. 5

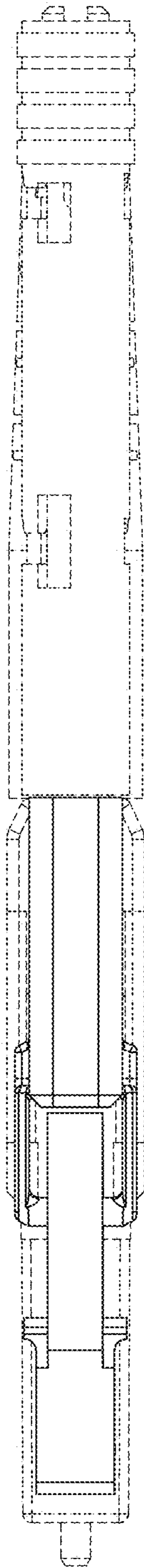


Fig. 6

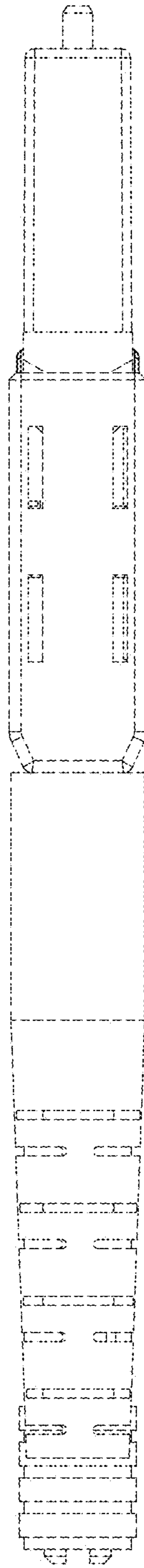


Fig. 7



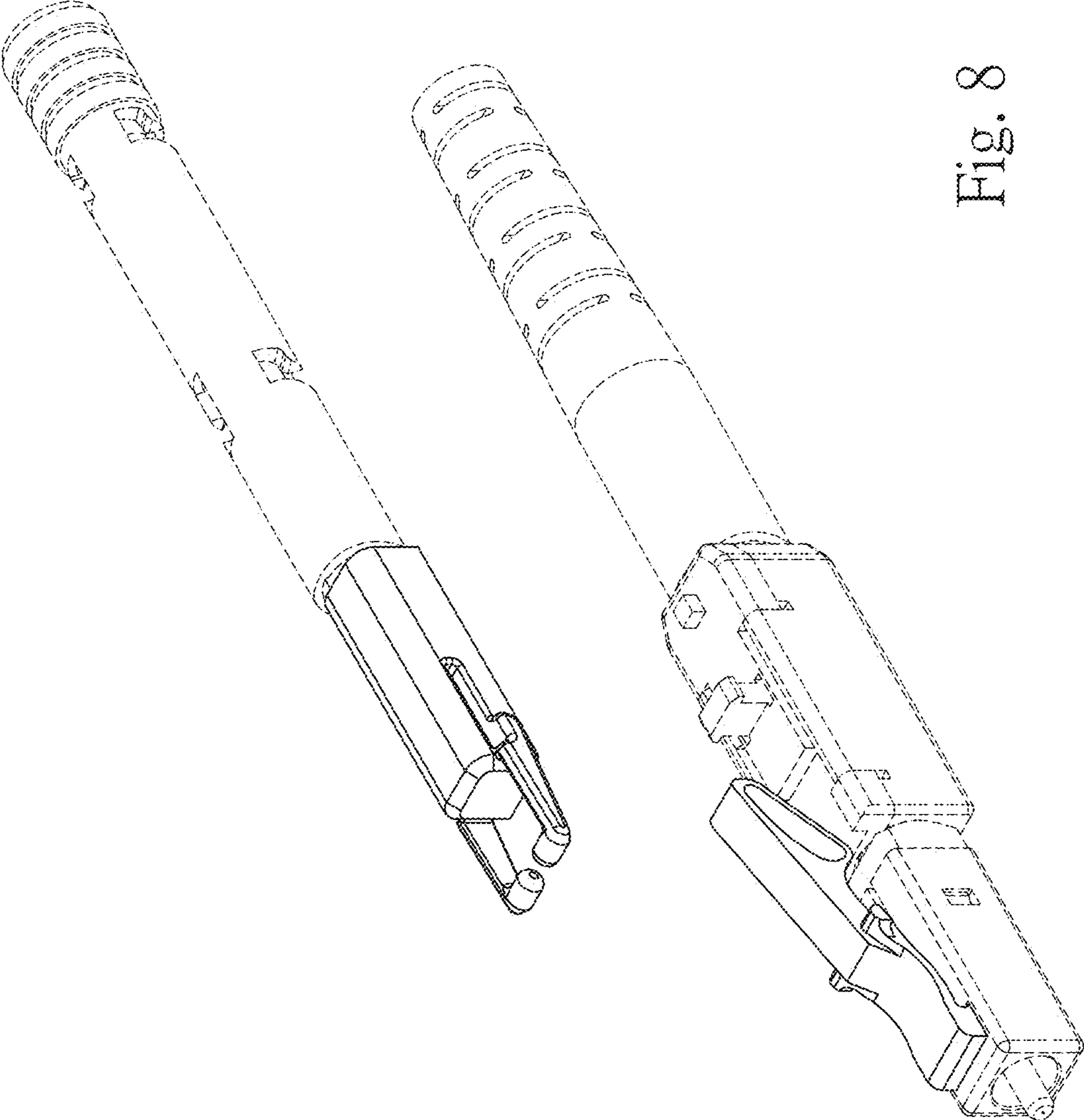


Fig. 8

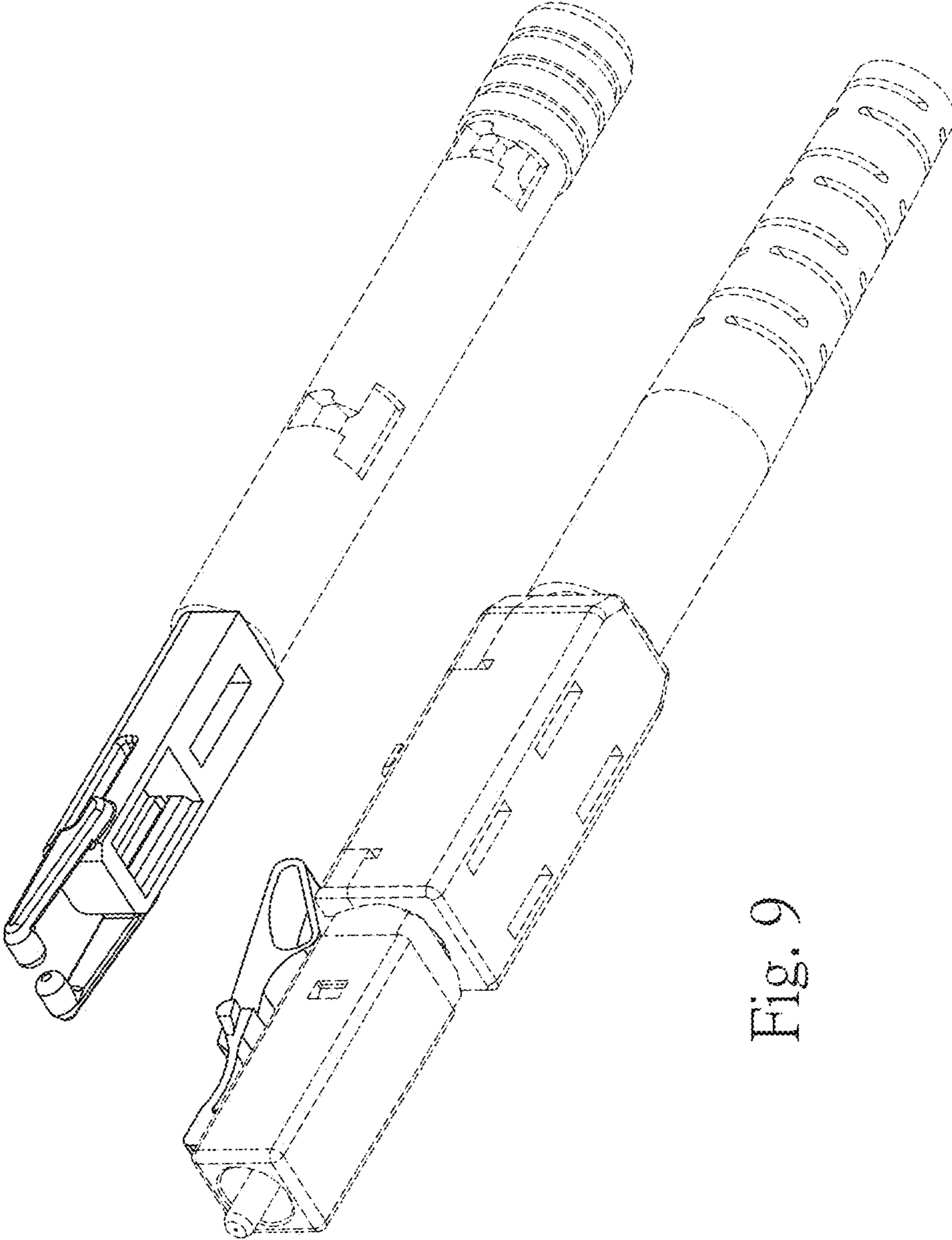


Fig. 9