



US00D892741S

(12) **United States Design Patent** (10) **Patent No.:** **US D892,741 S**
Biere (45) **Date of Patent:** **** Aug. 11, 2020**

(54) **RECEPTACLE ASSEMBLY**

FOREIGN PATENT DOCUMENTS

(71) Applicant: **Lester Electrical**, Lincoln, NE (US)

CN 301514370 * 4/2011
CN 303478902 * 12/2015

(72) Inventor: **David A. Biere**, Kearney, NE (US)

(73) Assignee: **Lester Electrical**, Lincoln, NE (US)

(**) Term: **15 Years**

OTHER PUBLICATIONS

(21) Appl. No.: **29/658,797**

CustomConnectorKits. Link: <https://www.customconnectorkits.com/hd14-5-16p-kit/>. Visited Nov. 22, 2019. HD14-5-16P 5 Way Receptacle Assembly Kit. (Year: 2019).*

(22) Filed: **Aug. 2, 2018**

* cited by examiner

(51) **LOC (12) Cl.** **13-03**

Primary Examiner — Lauren D McVey

(52) **U.S. Cl.**

(74) *Attorney, Agent, or Firm* — Suiter Swantz pc llo

USPC **D13/124**

(58) **Field of Classification Search**

(57) **CLAIM**

USPC D13/110, 123–132, 107, 117, 160, 171,
D13/154, 184, 199, 139.6, 138.1, 138.2

The ornamental design for a receptacle assembly, as shown and described.

CPC H01G 4/224; H01G 4/232; H01G 4/28;
H01G 4/385; H01G 4/40

DESCRIPTION

See application file for complete search history.

FIG. 1 is a perspective view of a receptacle assembly showing our new design;

(56) **References Cited**

U.S. PATENT DOCUMENTS

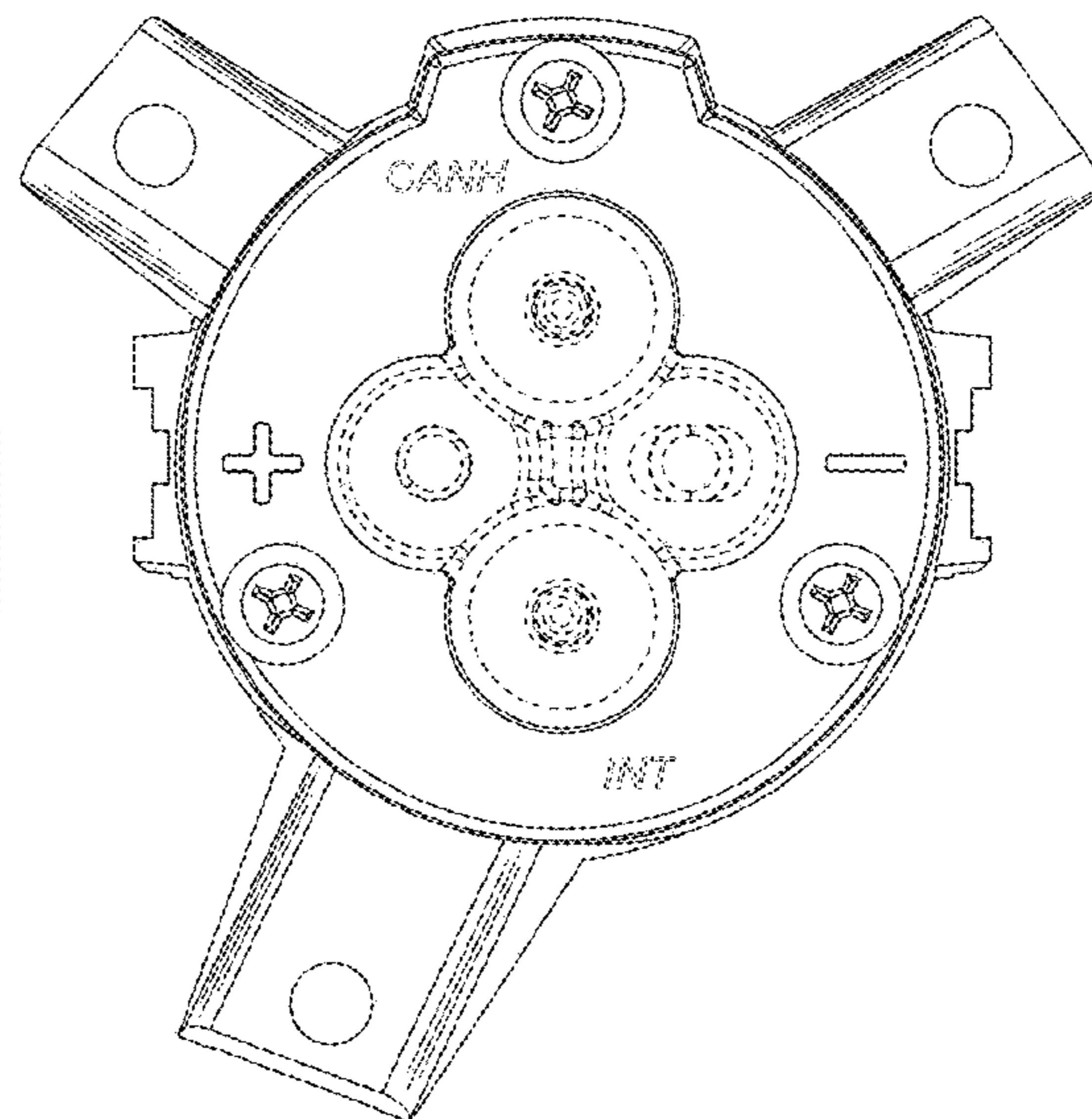
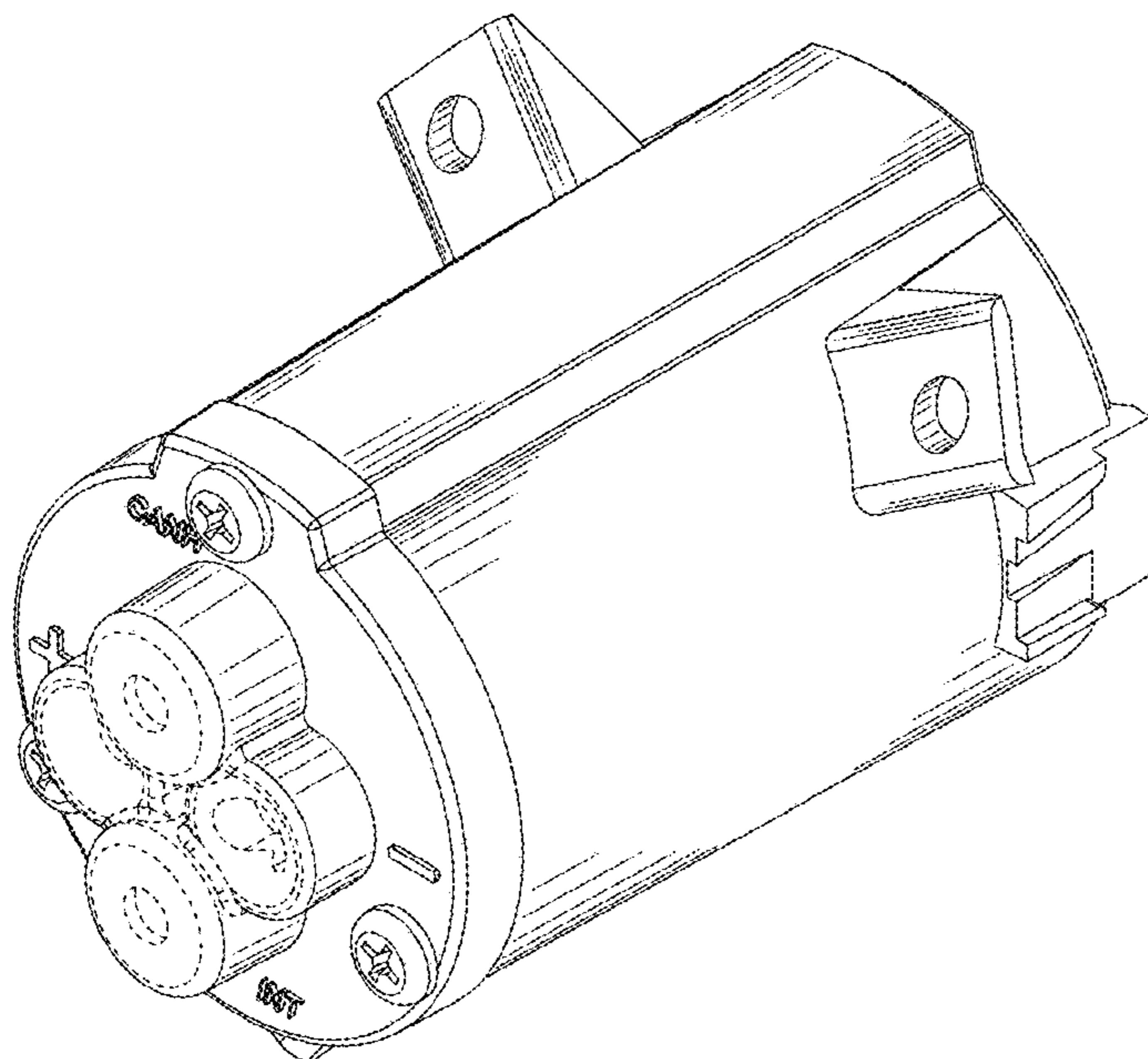
D46,951 S *	2/1915	Lang	D13/126
D200,577 S *	3/1965	Crouse	D13/112
D514,532 S *	2/2006	Paoli	D13/168
D570,779 S *	6/2008	Bischoff	D13/123
D621,789 S *	8/2010	Wang	D13/133
D729,164 S *	5/2015	Chen	D13/124
D729,732 S *	5/2015	Kasaba	D13/112
D731,424 S *	6/2015	Kasaba	D13/112
D818,437 S *	5/2018	Stockman	D13/124
D818,959 S *	5/2018	Stockman	D13/124
D823,253 S *	7/2018	Chen	D13/125
2004/0239523 A1 *	12/2004	Paoli	G01D 11/24 340/870.02
2011/0317333 A1 *	12/2011	Chun	H01G 2/04 361/518

FIG. 2 is a top plan view thereof;
FIG. 3 is a front elevation view thereof;
FIG. 4 is a first side elevation view thereof;
FIG. 5 is a rear elevation view thereof;
FIG. 6 is a second side elevation view thereof; and,
FIG. 7 is a bottom plan view thereof.

The wire frame lines shown throughout the views indicate surface contour.

The broken lines immediately adjacent to the shaded areas depict the bounds of the claimed design, while all other broken lines are directed to environment. In addition, the unshaded surface that directly adjoins the claimed solid line edge form no part of the claimed design. The broken lines form no part of the claimed design.

1 Claim, 7 Drawing Sheets



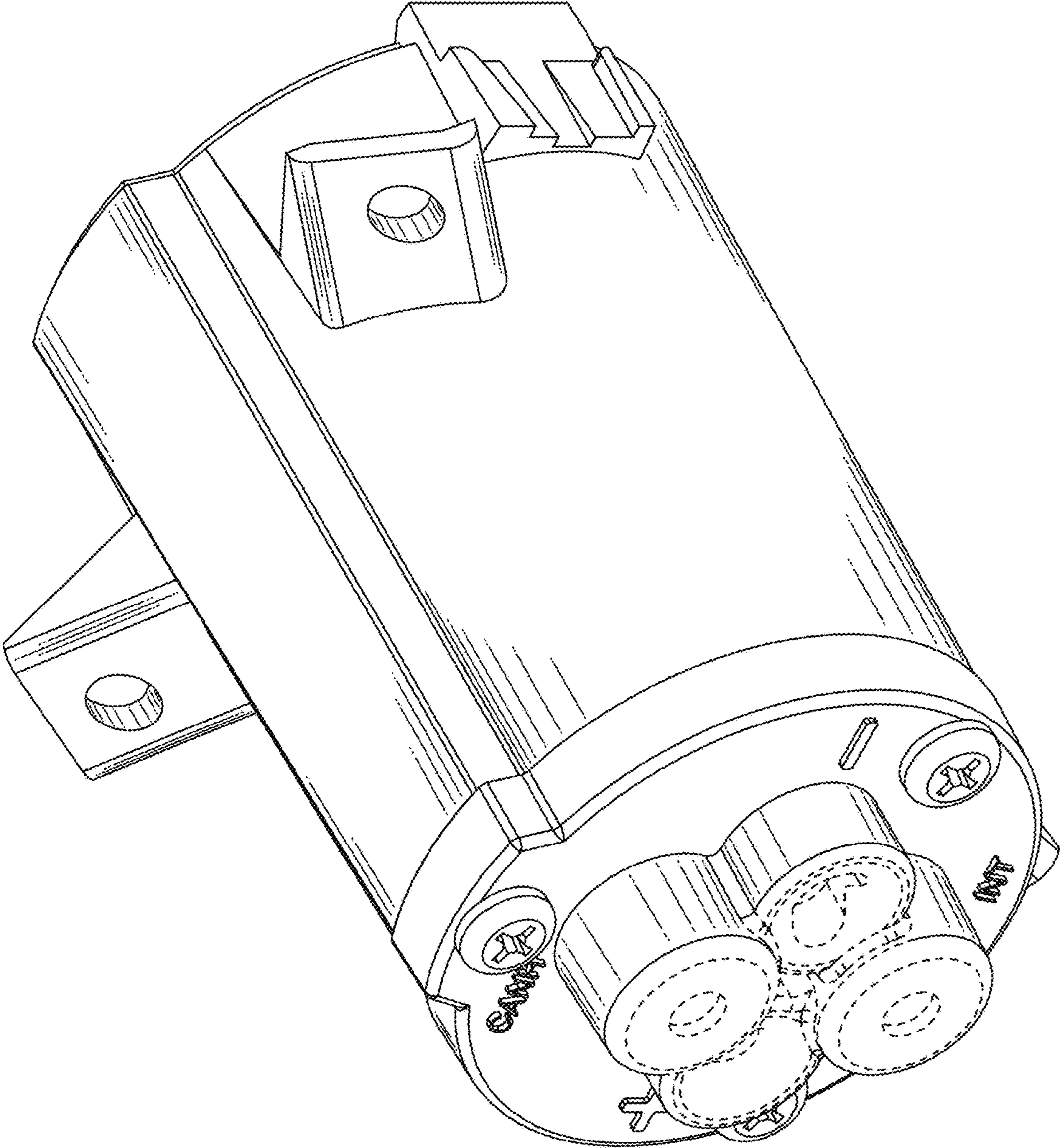


Figure 1

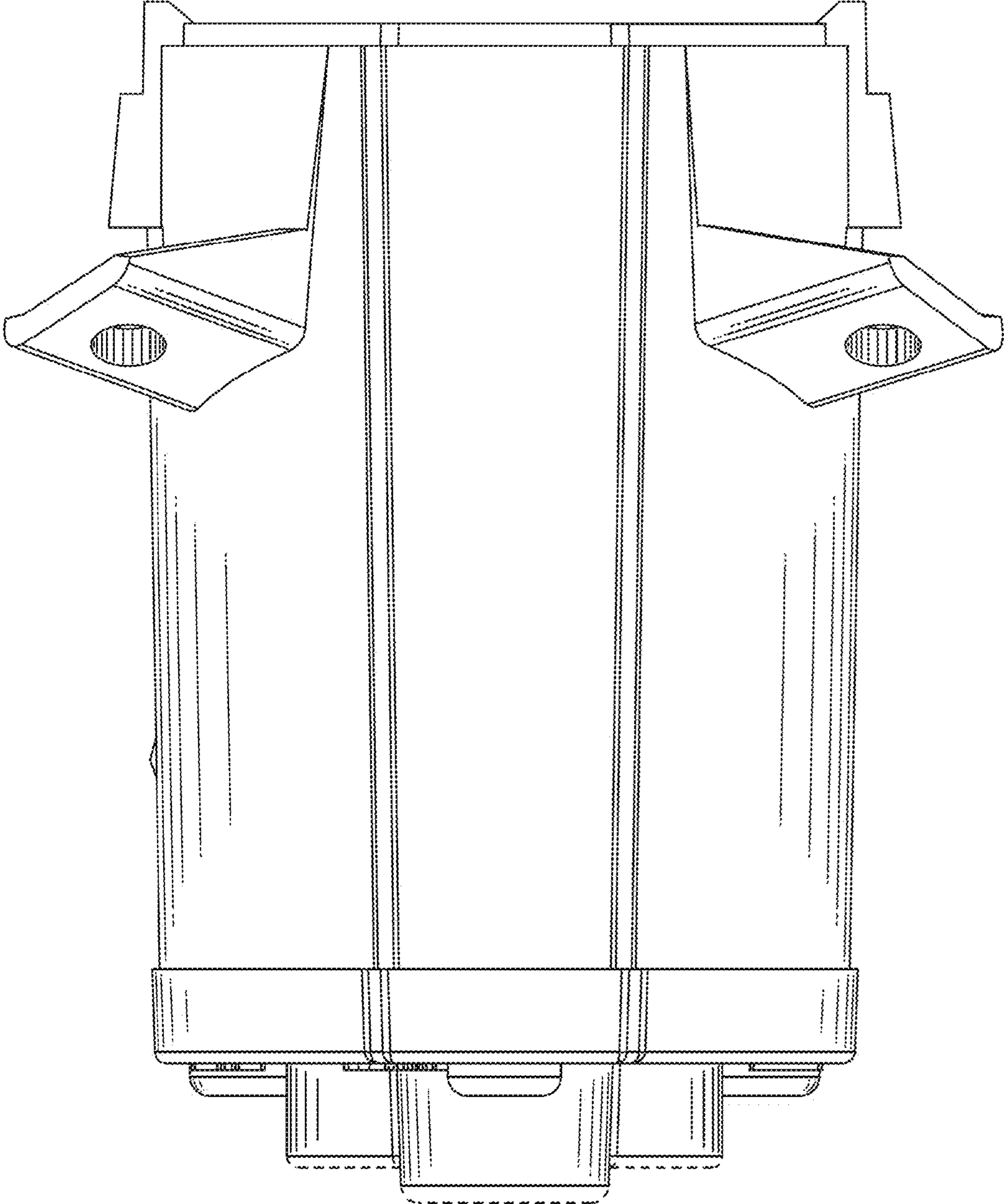


Figure 2

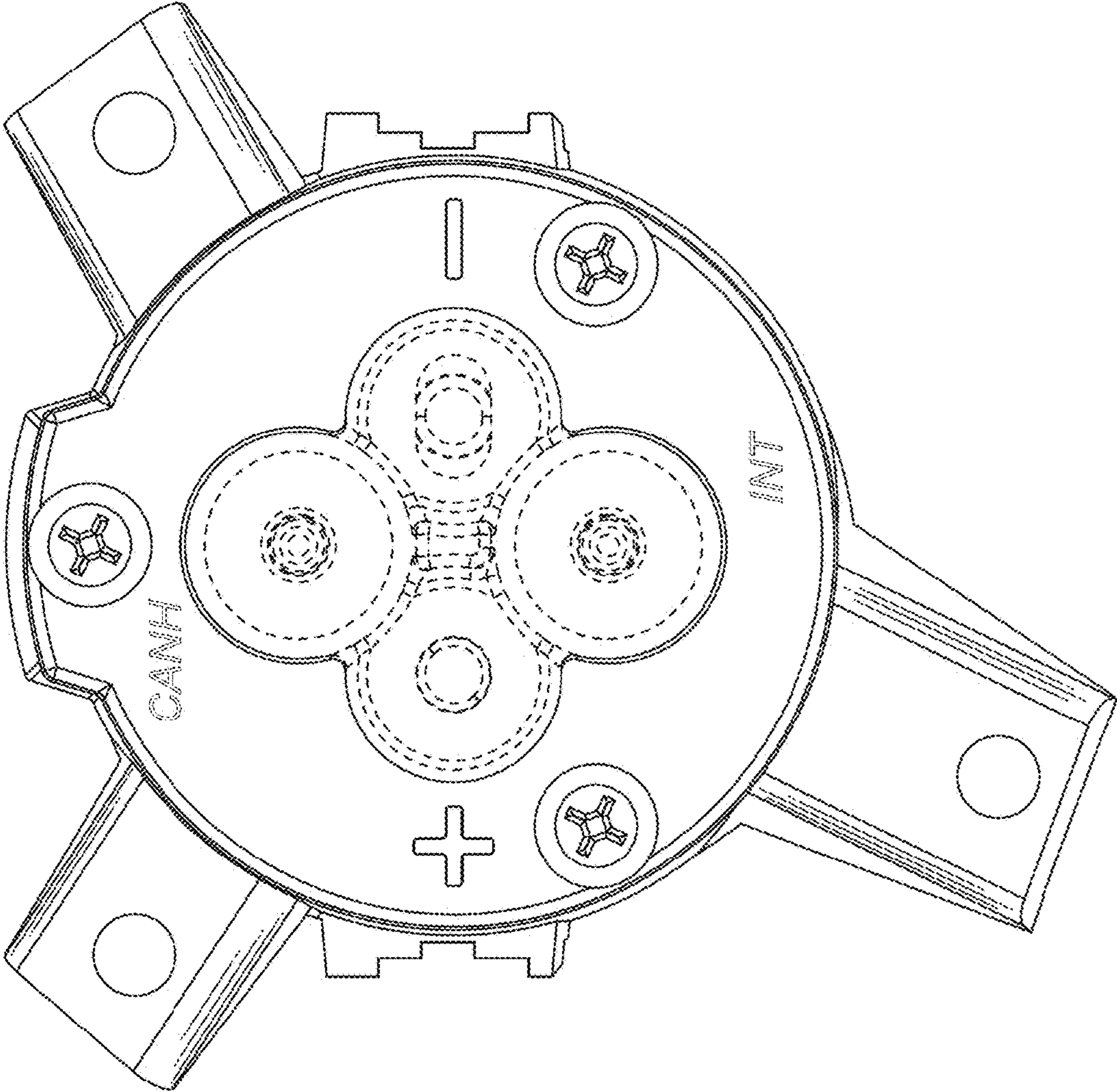


Figure 3

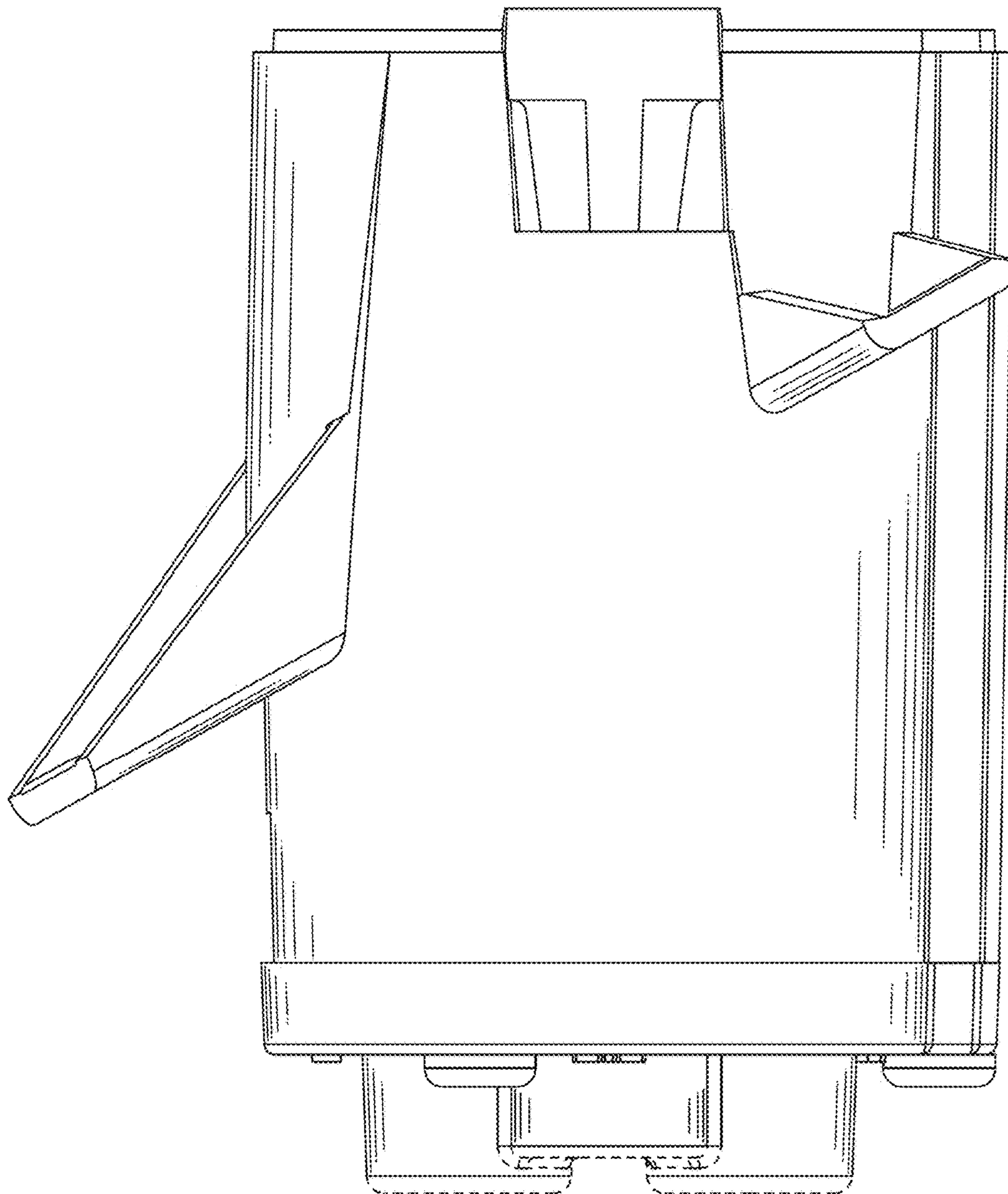


Figure 4

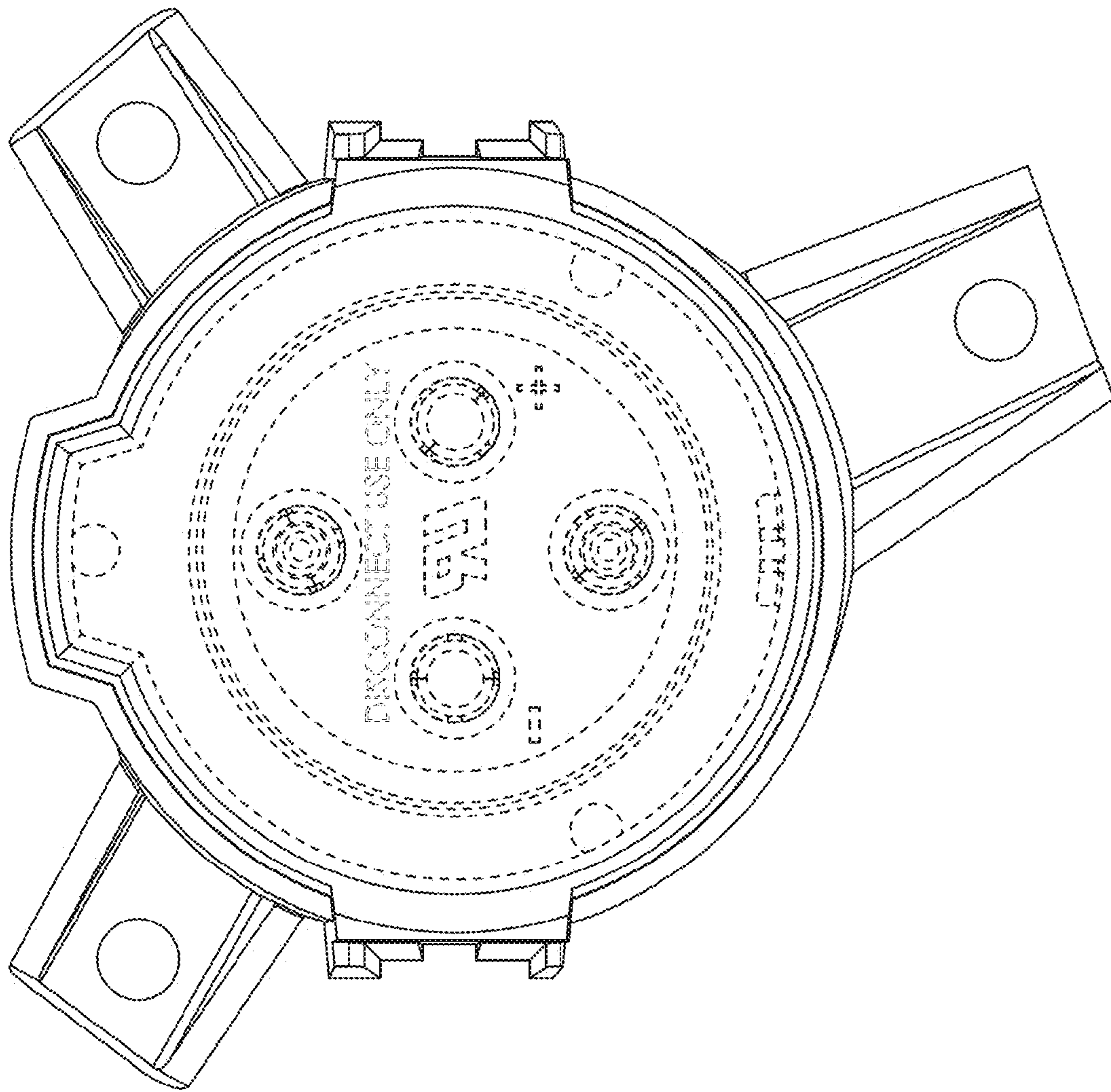


Figure 5

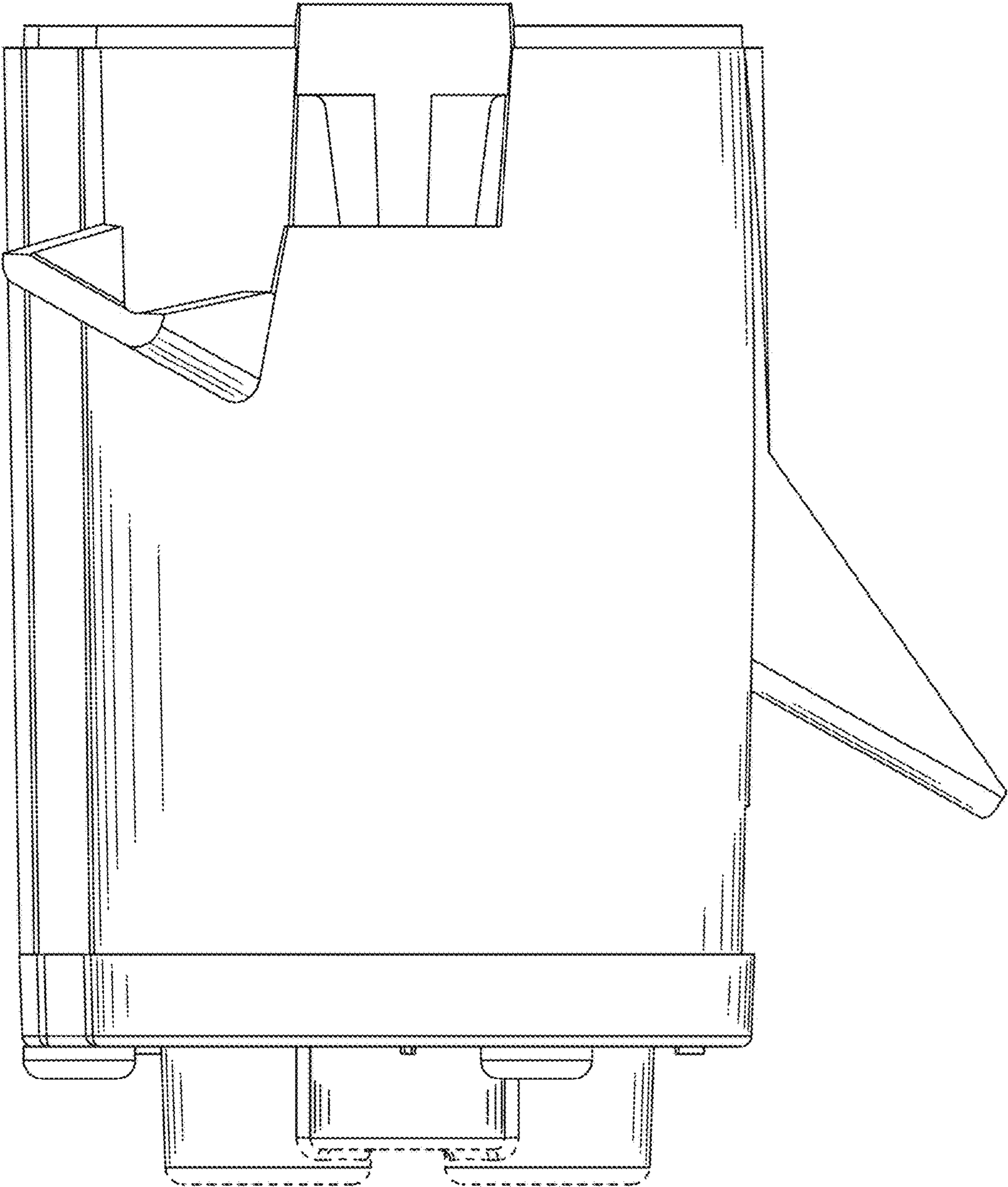


Figure 6

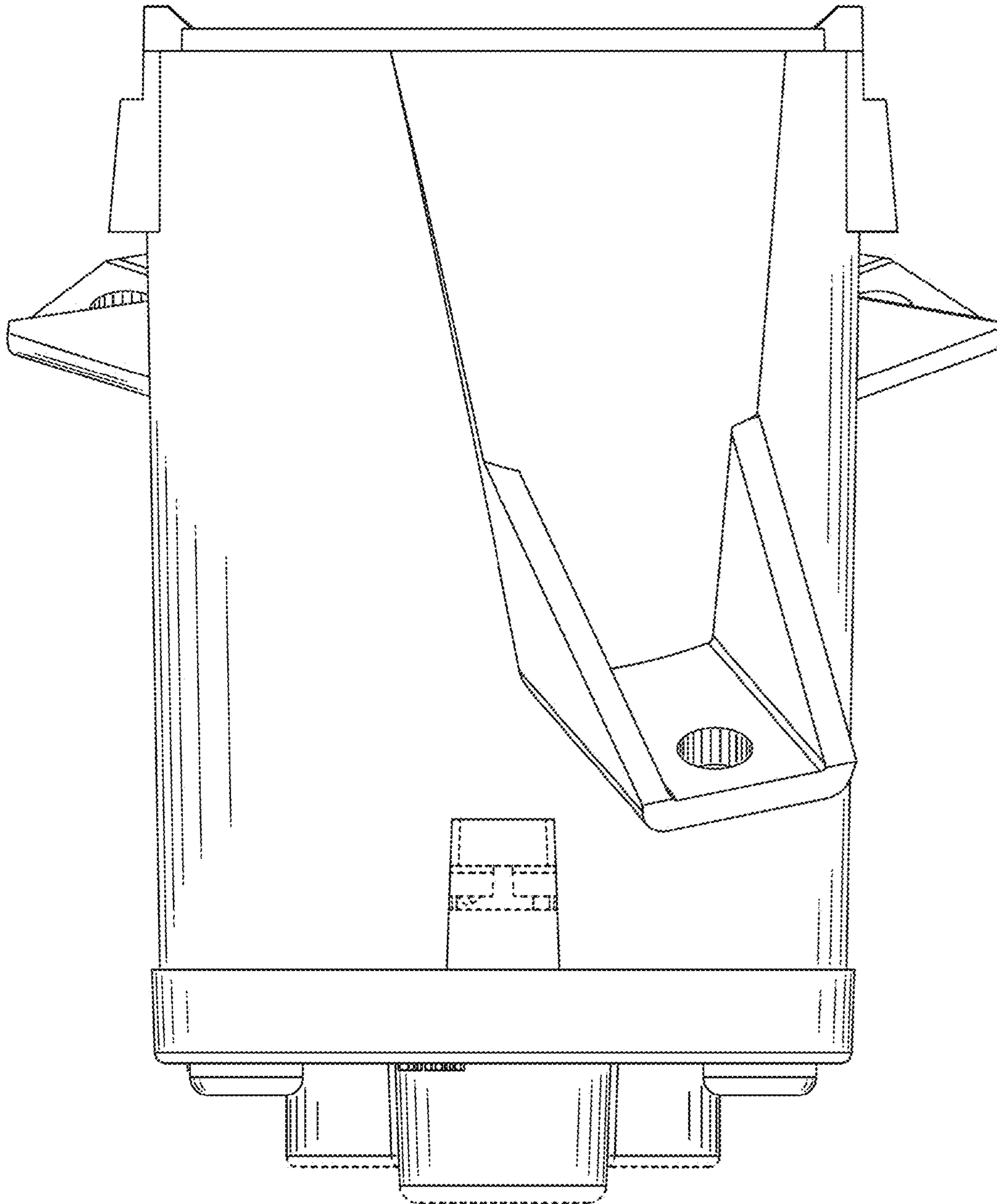


Figure 7