

US00D892740S

(12) **United States Design Patent** (10) **Patent No.:** **US D892,740 S**
Nada et al. (45) **Date of Patent:** **** Aug. 11, 2020**

(54) **CONTROLLER FOR SERVOMOTOR**

FOREIGN PATENT DOCUMENTS

(71) Applicant: **OMRON Corporation**, Kyoto-shi, Kyoto (JP)

CN 304065087 * 3/2017
EM 003367713-0002 * 9/2016

(Continued)

(72) Inventors: **Heita Nada**, Ritto (JP); **Shuhei Yamada**, Kyoto (JP); **Satoshi Sano**, Kyoto (JP); **Tomohiro Fujita**, Kyoto (JP)

OTHER PUBLICATIONS

Valin Corporation. Link: <https://www.valinonline.com/products/r7d-bp02hh>. Dec. 2, 2019. R7D-BP02HH Omron AC Servo Drives. (Year: 2019).*

(Continued)

(73) Assignee: **OMRON Corporation**, Kyoto (JP)

(**) Term: **15 Years**

Primary Examiner — Lauren D McVey

(74) *Attorney, Agent, or Firm* — Capitol City TechLaw

(21) Appl. No.: **29/686,725**

(57) **CLAIM**

The ornamental design for a controller for servomotor, as shown and described.

(22) Filed: **Apr. 7, 2019**

(30) **Foreign Application Priority Data**

DESCRIPTION

Oct. 19, 2018 (JP) 2018-023011

(51) **LOC (12) Cl.** **13-03**

(52) **U.S. Cl.**
USPC **D13/123**

(58) **Field of Classification Search**
USPC D13/123-132, 107, 110, 117, 160, 171, D13/154, 184, 199, 139.6, 138.1, 138.2
CPC H01G 4/224; H01G 4/232; H01G 4/28; H01G 4/385; H01G 4/40
See application file for complete search history.

FIG. 1 is a front, top, and right side perspective view of a controller for servomotor showing our new design;
FIG. 2 is a front, bottom, and right side perspective view thereof;
FIG. 3 is a front view thereof;
FIG. 4 is a rear view thereof;
FIG. 5 is a left side view thereof;
FIG. 6 is a right side view thereof;
FIG. 7 is a top view thereof;
FIG. 8 is a bottom view thereof;
FIG. 9 is an enlarged view of the circumscribed area IX in FIG. 1; and,
FIG. 10 is an enlarged view of the circumscribed area X in FIG. 2.

(56) **References Cited**

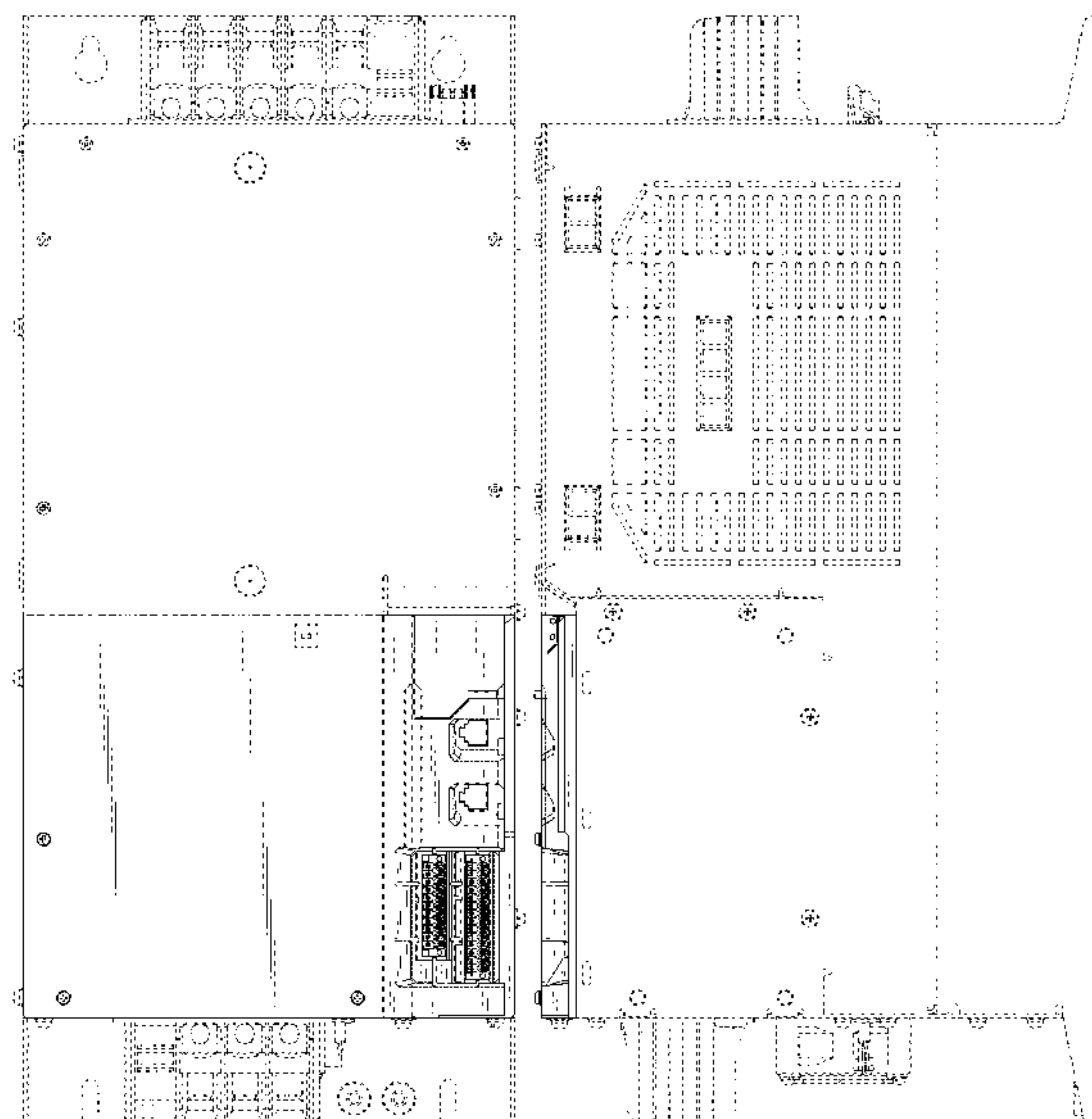
U.S. PATENT DOCUMENTS

D510,319 S * 10/2005 Tuomola D13/110
D605,120 S * 12/2009 Pape D13/123
D737,242 S * 8/2015 Nakahira D13/110
D776,077 S * 1/2017 Kondo D13/159
D794,566 S * 8/2017 Nada D13/123

The evenly spaced broken lines are directed to environment and form no part of the claimed design. The dot-dashed broken lines depict the bounds of the claimed design and form no part of the claimed design. The dot-dot-dashed broken lines in FIGS. 1, 2, 9, and 10 circumscribe the enlarged views and form no part of the claimed design.

(Continued)

1 Claim, 10 Drawing Sheets



(56)

References Cited

U.S. PATENT DOCUMENTS

| | | | | | | |
|----------|---|---|---------|-------|-------|---------|
| D796,439 | S | * | 9/2017 | Nada | | D13/123 |
| D797,672 | S | * | 9/2017 | Nada | | D13/123 |
| D798,236 | S | * | 9/2017 | Nada | | D13/123 |
| D812,019 | S | * | 3/2018 | Kato | | D13/162 |
| D821,324 | S | * | 6/2018 | Viman | | D13/123 |
| D829,181 | S | * | 9/2018 | Kato | | D13/162 |
| D829,672 | S | * | 10/2018 | Kato | | D13/162 |
| D845,238 | S | * | 4/2019 | Kato | | D13/123 |

FOREIGN PATENT DOCUMENTS

| | | | |
|----|----------------|---|---------|
| EM | 003367713-0003 | * | 9/2016 |
| EM | 003367713-0004 | * | 9/2016 |
| JP | 1560790 | S | 10/2016 |
| JP | 1561175 | S | 10/2016 |
| JP | 1561176 | S | 10/2016 |
| JP | 1561177 | S | 10/2016 |

OTHER PUBLICATIONS

Heita Nada et al., Controller for Servomotor, Design U.S. Appl. No. 29/686,729, filed Apr. 7, 2019, in the USPTO.

* cited by examiner

Fig. 1

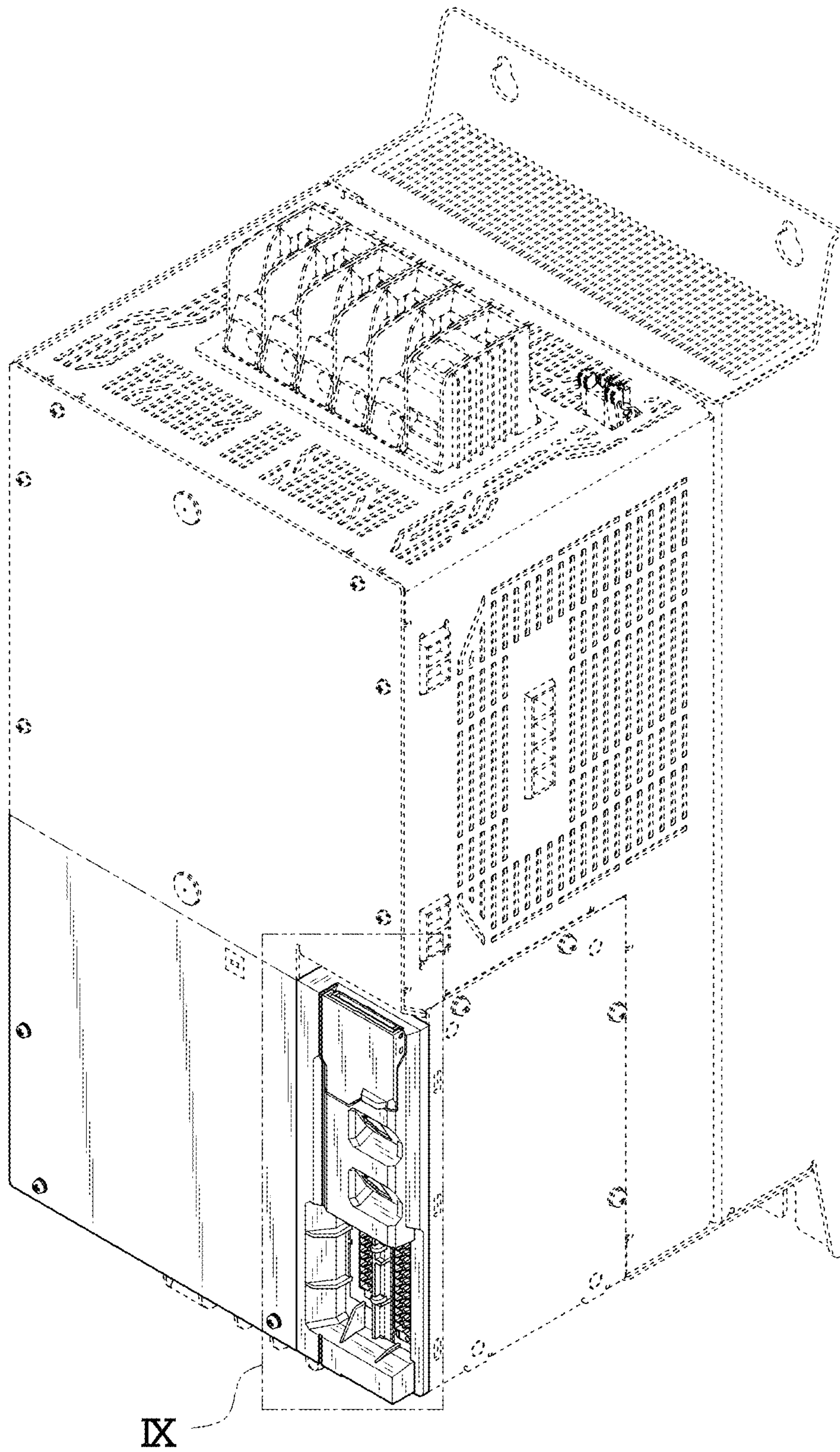


Fig. 2

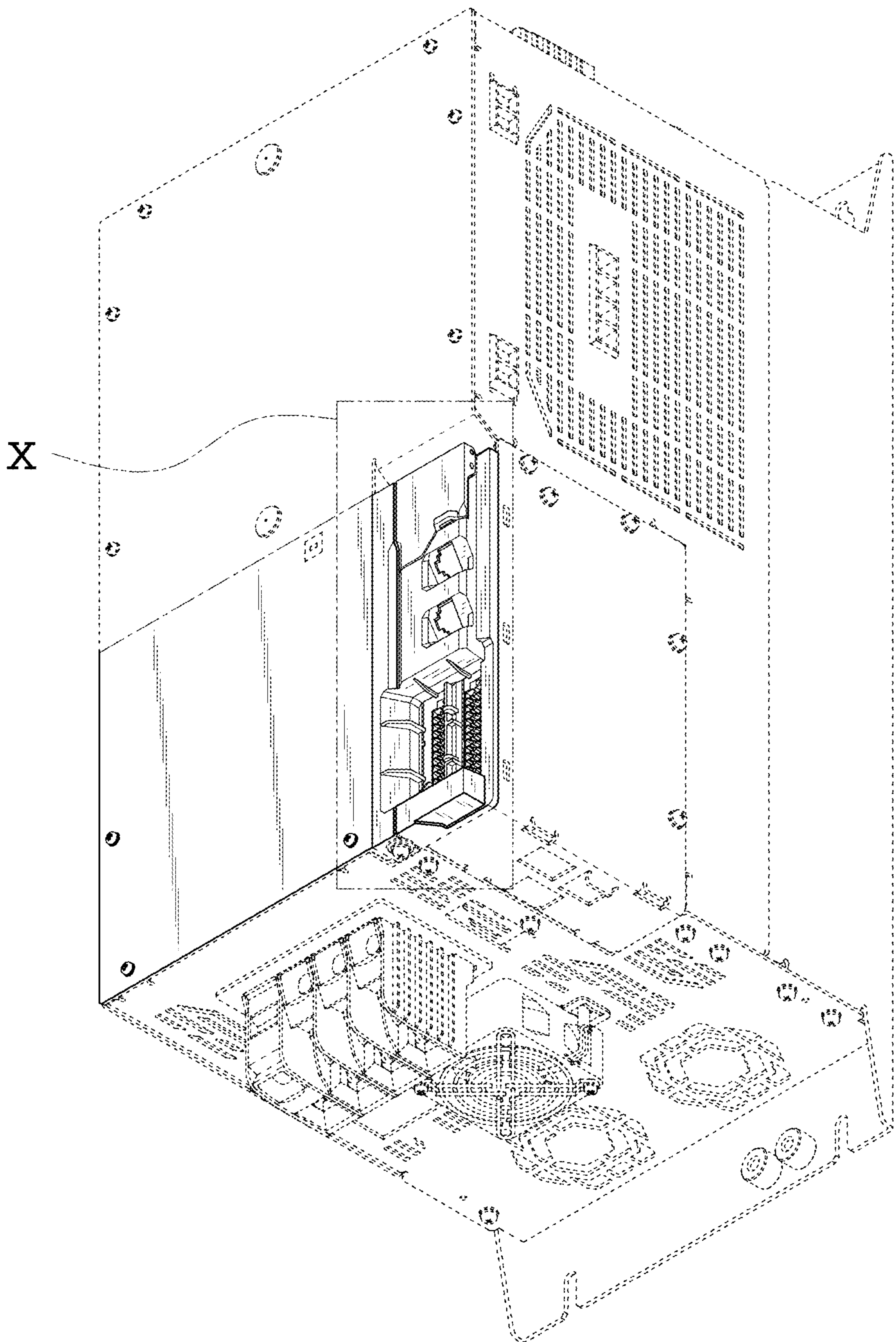


Fig. 3

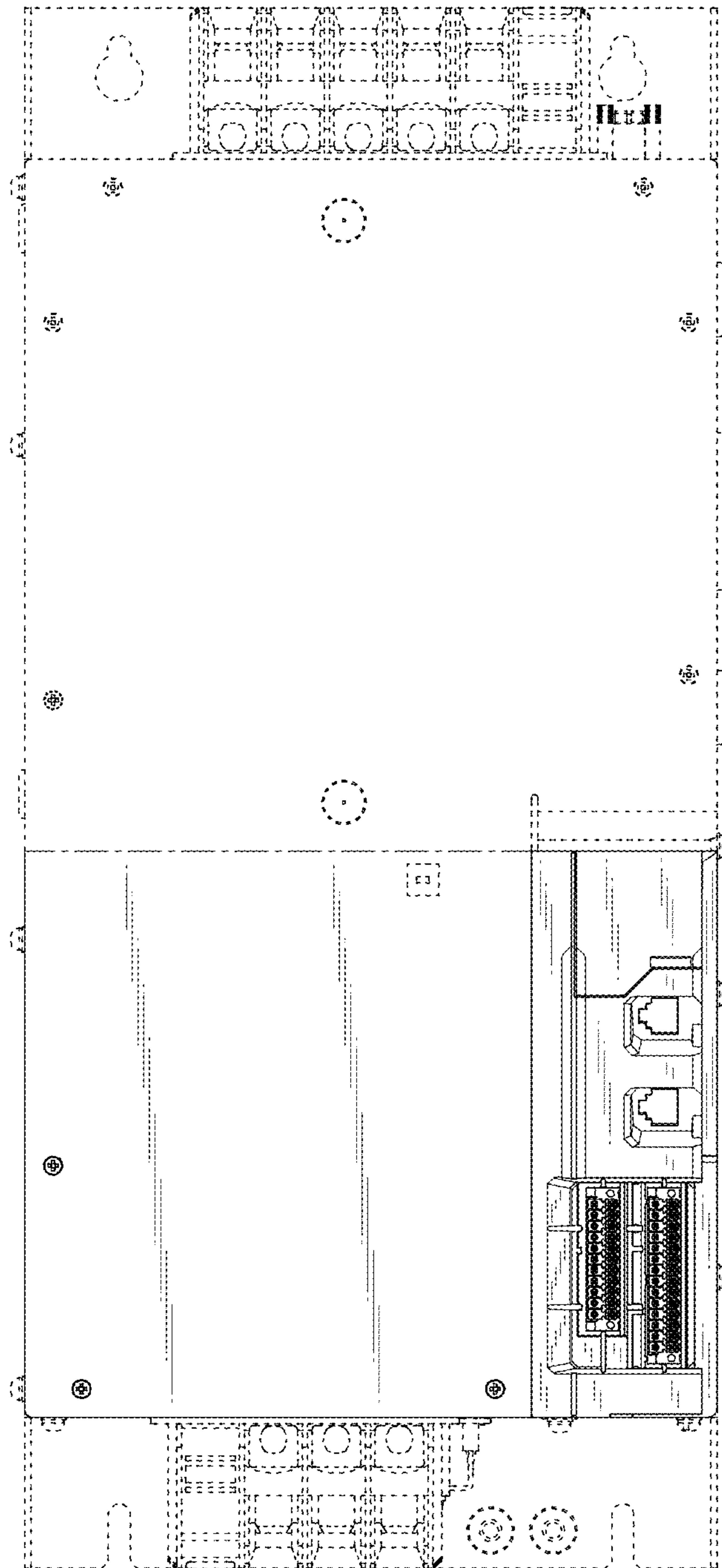


Fig. 4

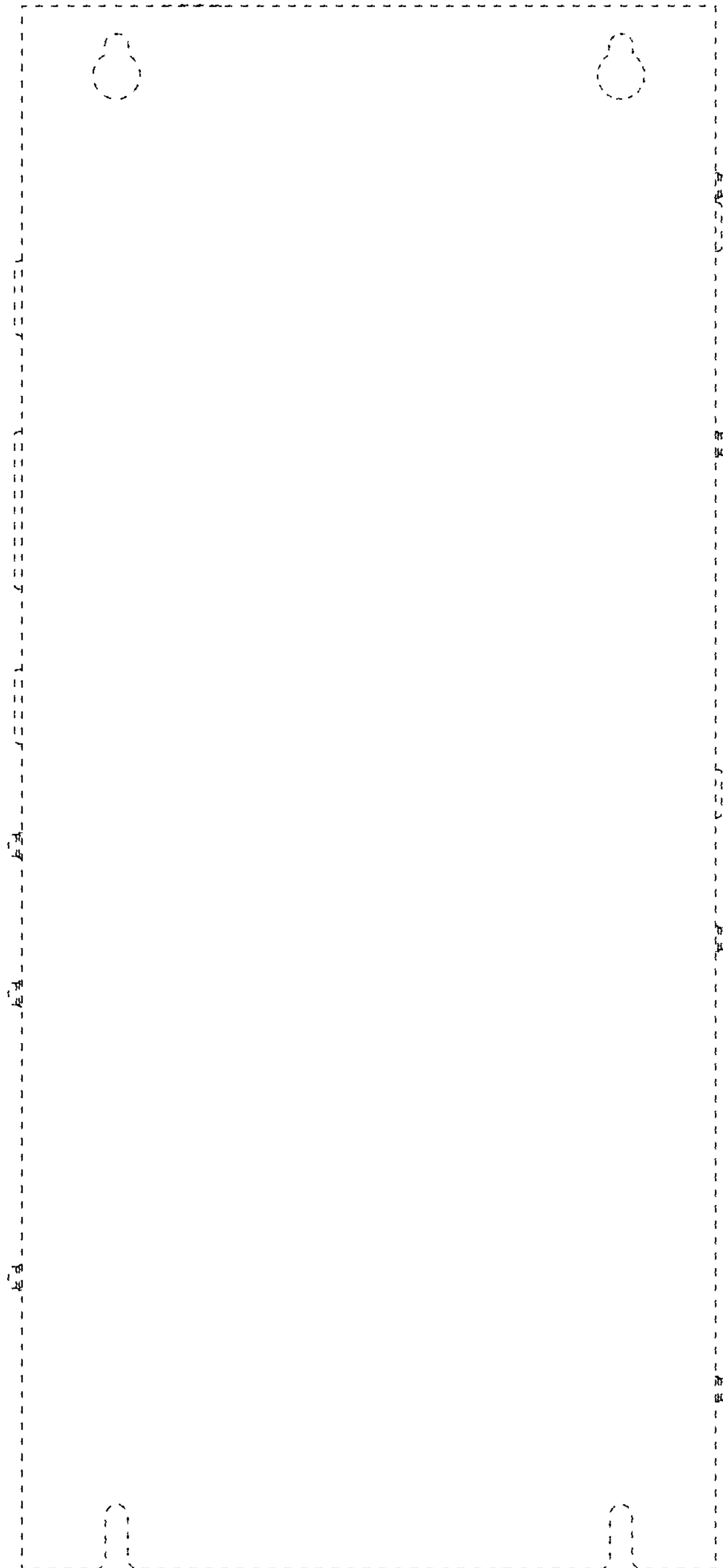


Fig. 5

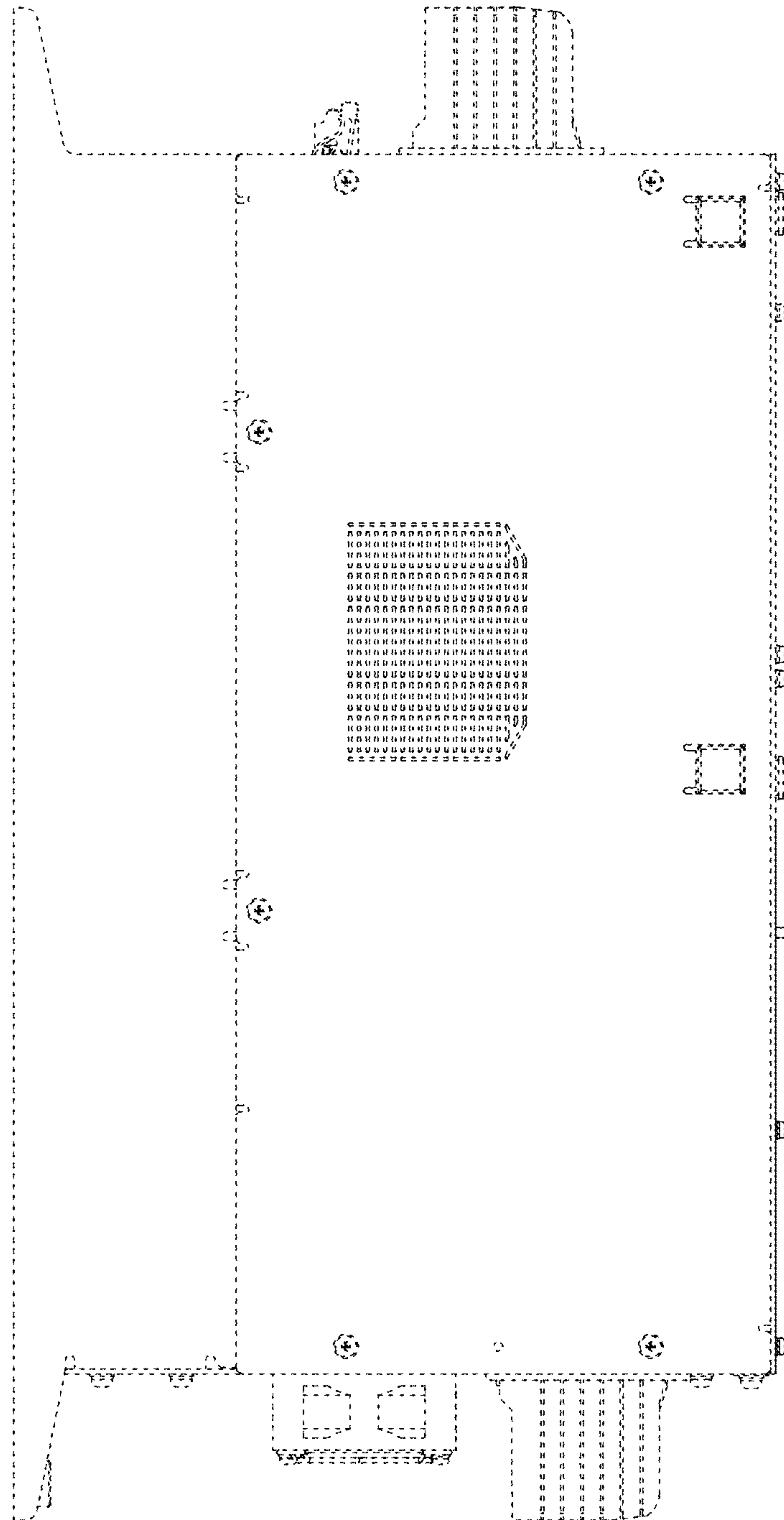


Fig. 6

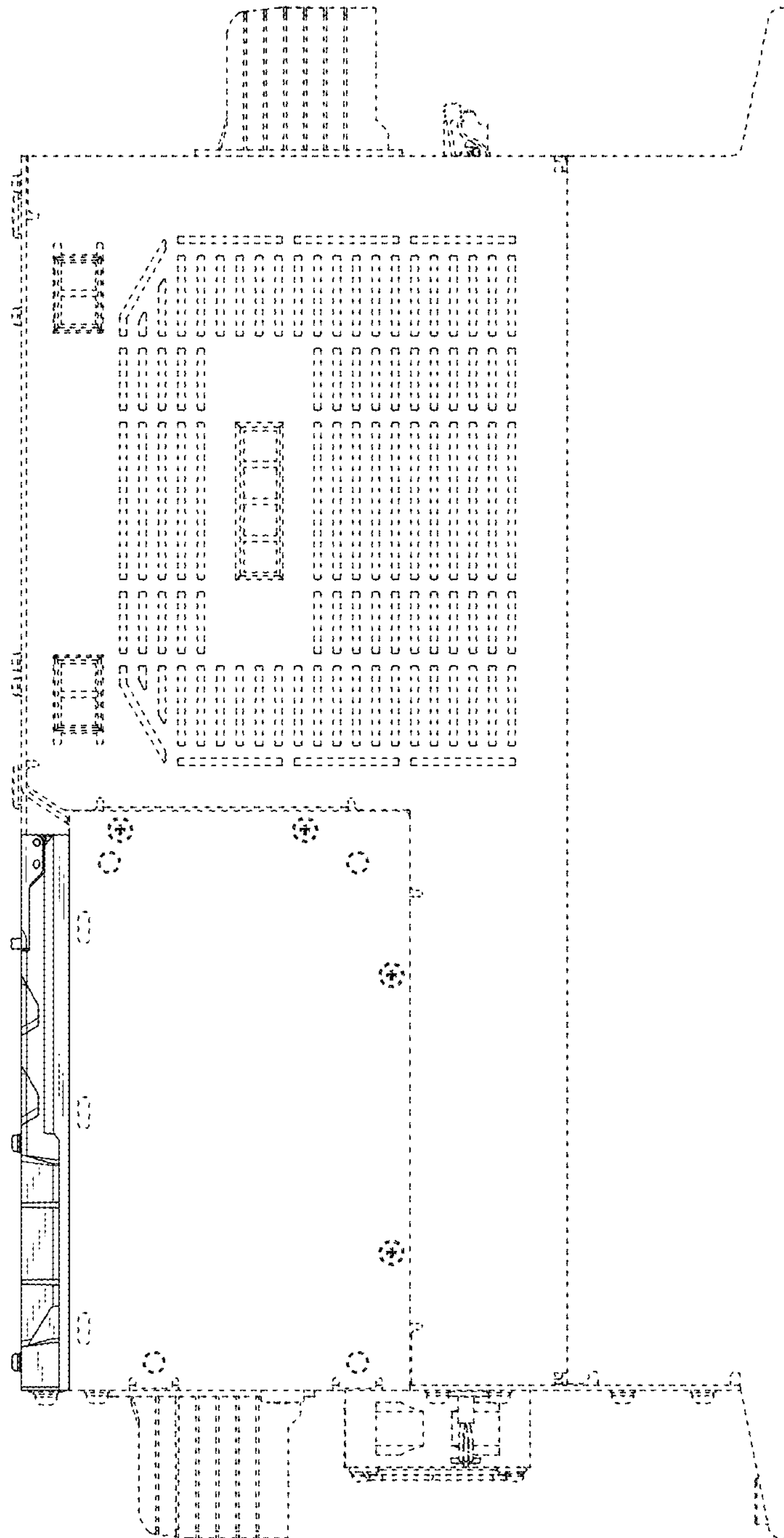


Fig. 7

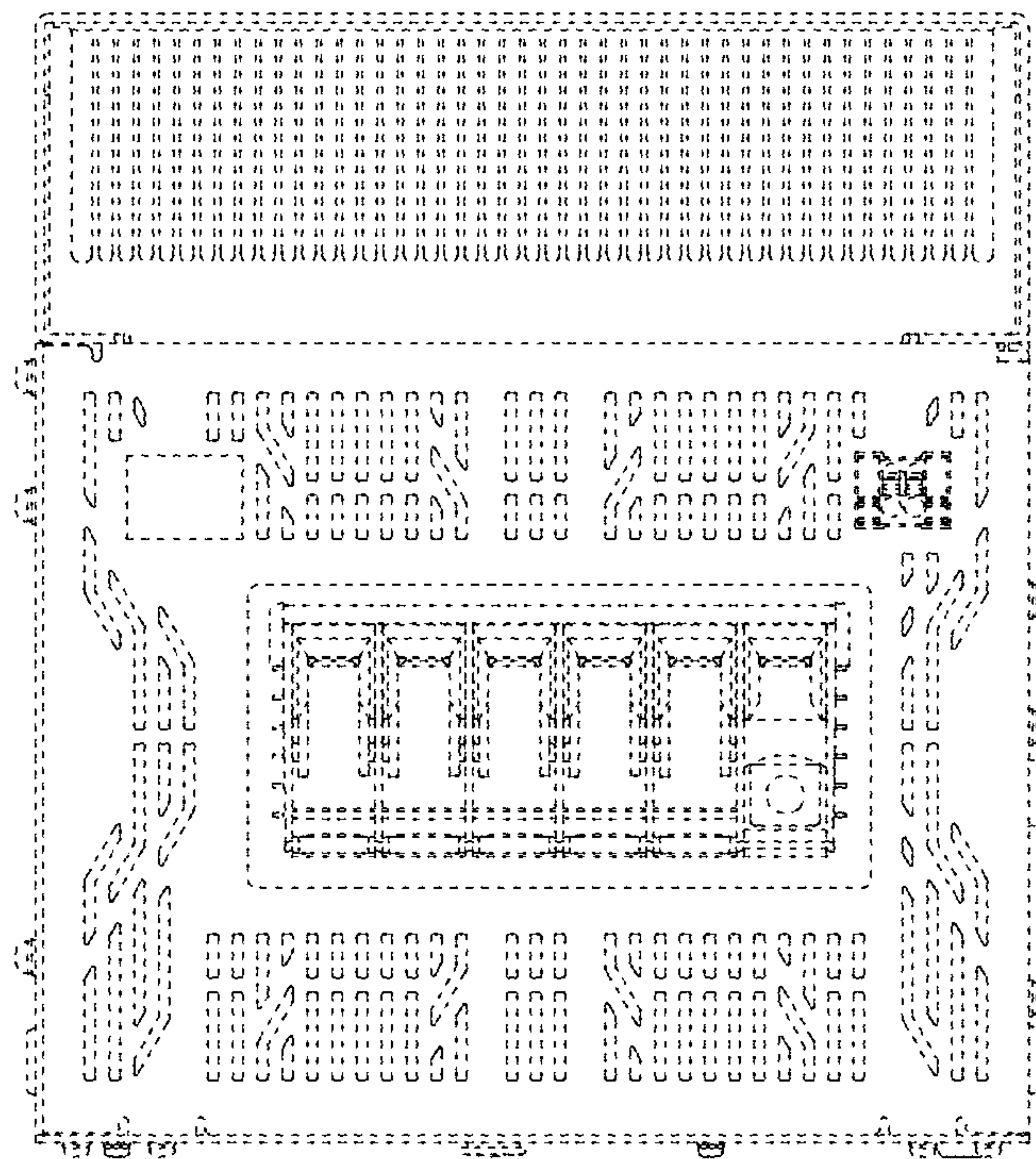


Fig. 8

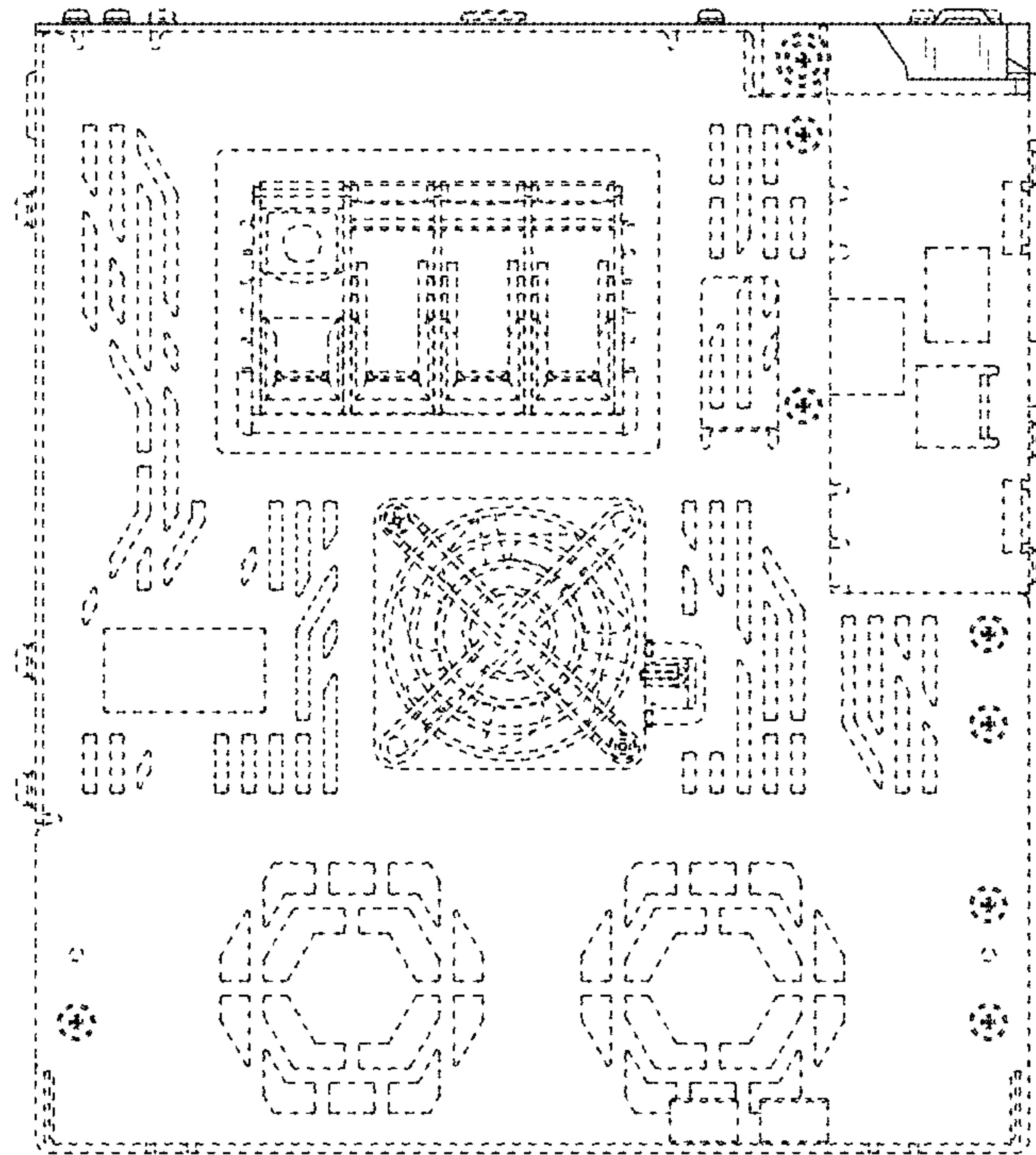


Fig. 9

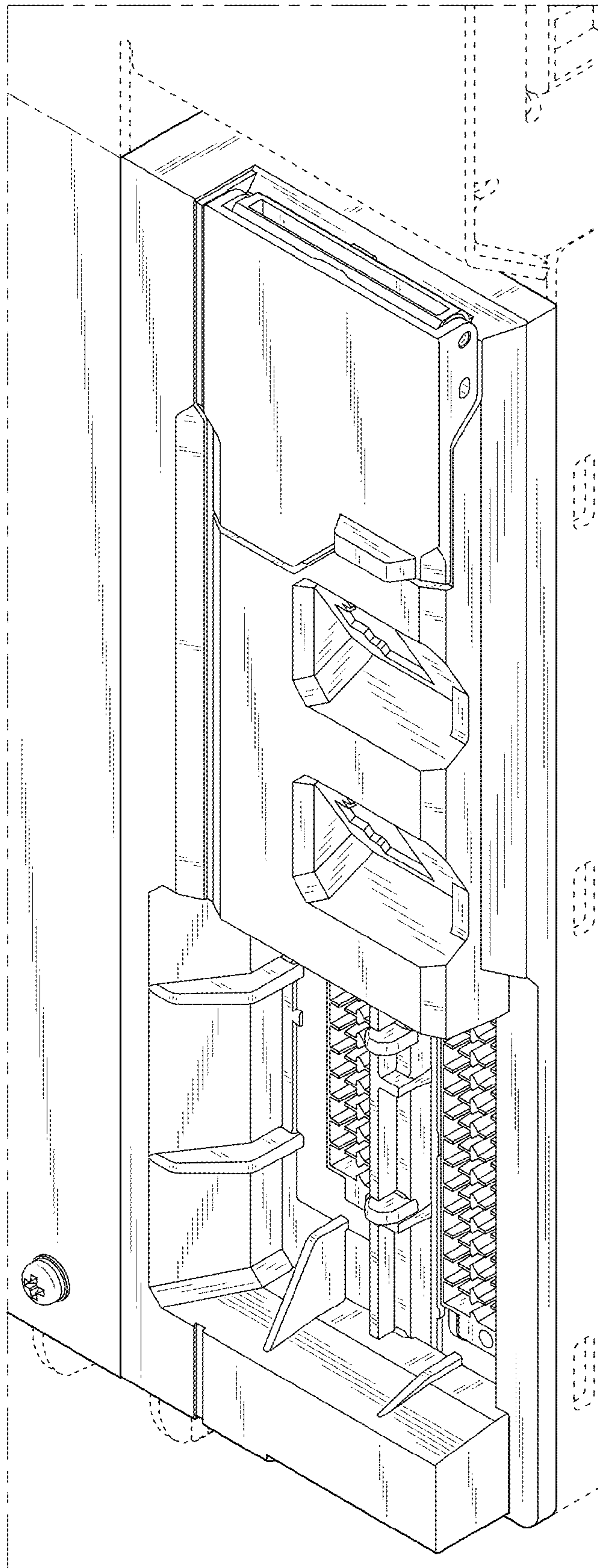


Fig. 10

