



US00D892739S

(12) **United States Design Patent**  
**Tabata et al.**

(10) **Patent No.:** **US D892,739 S**

(45) **Date of Patent:** **\*\* Aug. 11, 2020**

(54) **SENSOR DEVICE**

(71) Applicant: **Yokogawa Electric Corporation,**  
Musashino-shi, Tokyo (JP)

(72) Inventors: **Hiroki Tabata,** Musashino (JP); **Naoto Takano,** Musashino (JP); **Mitsuhiro Kamiya,** Musashino (JP); **Takuya Nidaira,** Musashino (JP); **Keiichi Sasaki,** Musashino (JP)

(73) Assignee: **Yokogawa Electric Corporation,**  
Tokyo (JP)

(\*\*) Term: **15 Years**

(21) Appl. No.: **29/683,941**

(22) Filed: **Mar. 18, 2019**

(51) **LOC (12) Cl.** ..... **13-03**

(52) **U.S. Cl.**  
USPC ..... **D13/123**

(58) **Field of Classification Search**  
USPC ..... D13/110, 123-132, 107, 117, 160, 171,  
D13/154, 184, 199, 139.6, 138.1, 138.2  
CPC .. G01R 15/142; G01R 15/144; G01R 15/146;  
G01R 15/148; H01R 2103/00; H01R  
24/48; H01R 13/66

See application file for complete search history.

(56) **References Cited**

**U.S. PATENT DOCUMENTS**

D175,043 S *	6/1955	Ricketts et al.	.....	D13/125
3,492,625 A *	1/1970	Bromberg	.....	H01R 4/60 439/100
3,967,872 A *	7/1976	Mooney	.....	H01R 4/64 439/100
D338,872 S *	8/1993	Pigliavento	.....	D13/126
D401,687 S *	11/1998	Pearce	.....	D23/411
D456,354 S *	4/2002	Pickett	.....	D13/123
7,165,980 B2 *	1/2007	Pyron	.....	H01R 4/643 439/100
D696,642 S *	12/2013	Jia	.....	D14/155

D722,966 S *	2/2015	Smith	.....	D13/129
9,385,442 B2 *	7/2016	Brown	.....	H02G 3/22
D806,650 S *	1/2018	Chang	.....	D13/112
D853,445 S *	7/2019	Kuratani	.....	D15/1
2016/0041204 A1 *	2/2016	Bietz	.....	G01R 15/18 324/127

**FOREIGN PATENT DOCUMENTS**

KR 300864931.0000 \* 7/2016

**OTHER PUBLICATIONS**

Yokogawa. Link: <https://www.yokogawa.com/us/solutions/products-platforms/process-analyzers/liquid-analyzers/ph-sensors/ph-and-orp-applications-with-coating-problems/>. Visited Nov. 25, 2019. pH and ORP Applications with Coating Problems. (Year: 2019).\*

\* cited by examiner

*Primary Examiner* — Lauren D McVey

(74) *Attorney, Agent, or Firm* — Sughrue Mion, PLLC

(57) **CLAIM**

The ornamental design for a sensor device, as shown and described.

**DESCRIPTION**

FIG. 1 is a perspective view of front, top and right side view of a sensor device showing our new design;  
FIG. 2 is a perspective view of rear, bottom and left side view thereof;  
FIG. 3 is a front view thereof;  
FIG. 4 is a rear view thereof;  
FIG. 5 is a left side view thereof;  
FIG. 6 is a right side view thereof;  
FIG. 7 is a top view thereof; and,  
FIG. 8 is a bottom view thereof.

The broken lines immediately adjacent to the claim depict the bounds of the claimed design, while all other broken lines are directed to environment. The broken lines form no part of the claimed design.

**1 Claim, 8 Drawing Sheets**

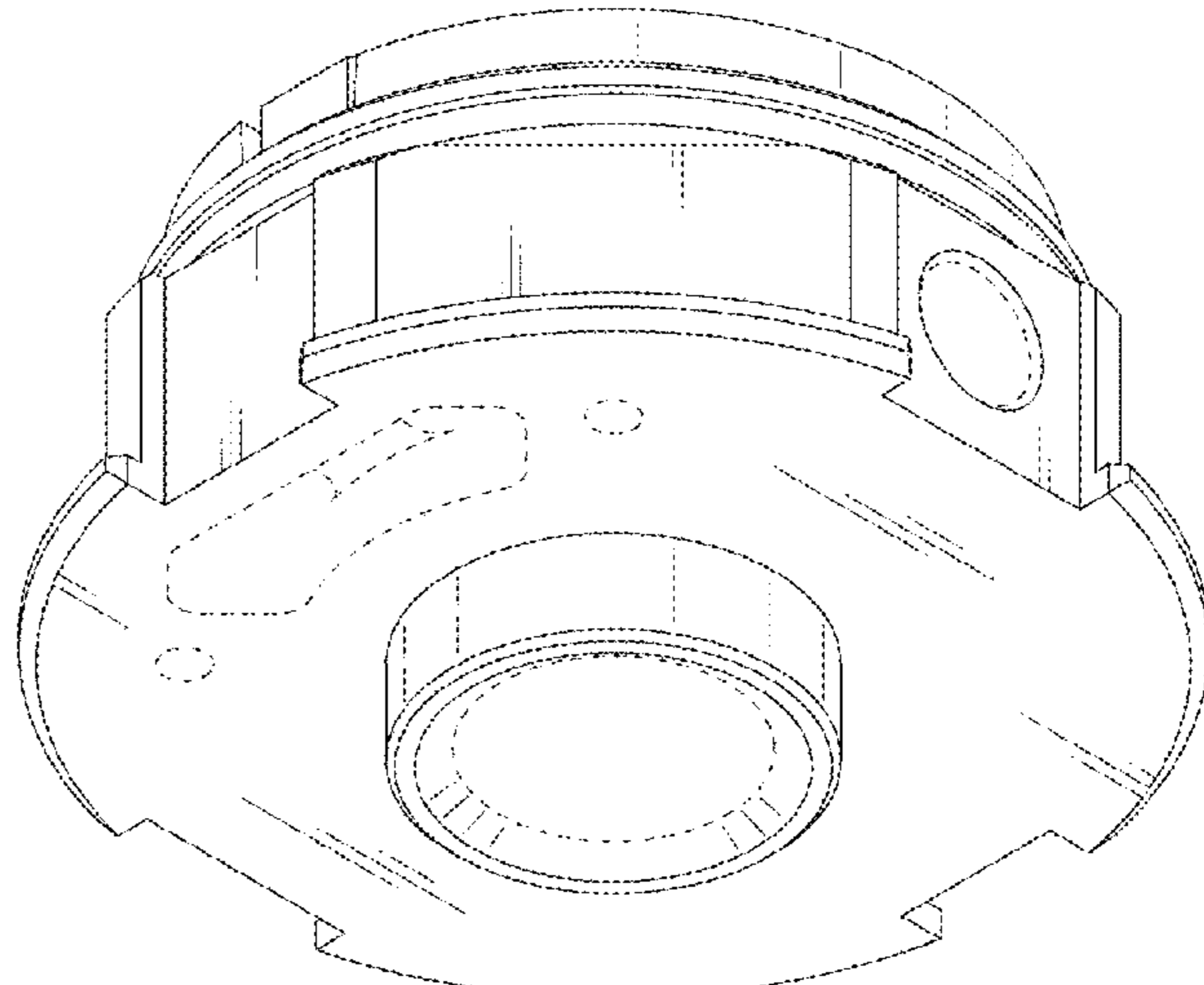
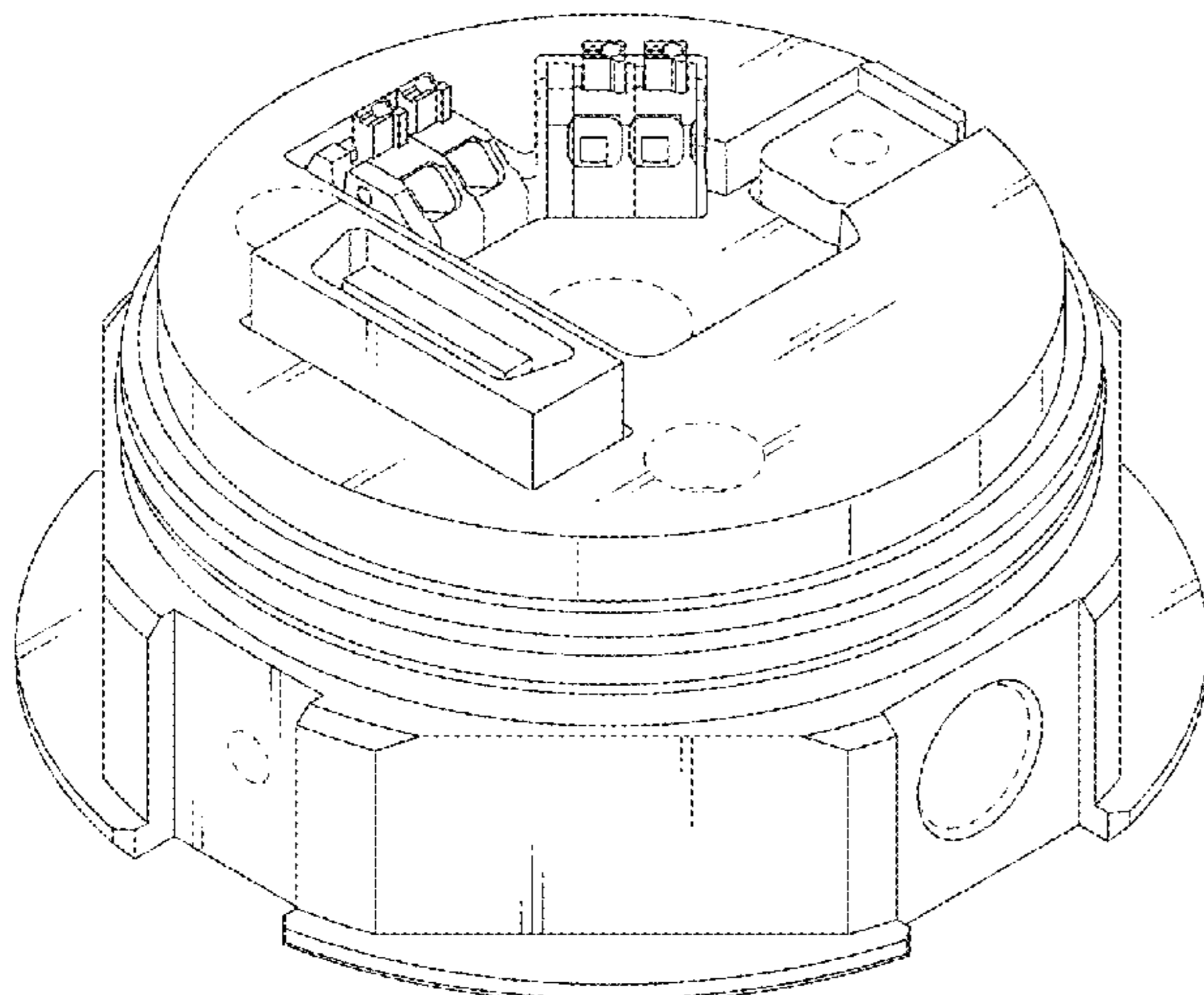


FIG. 1

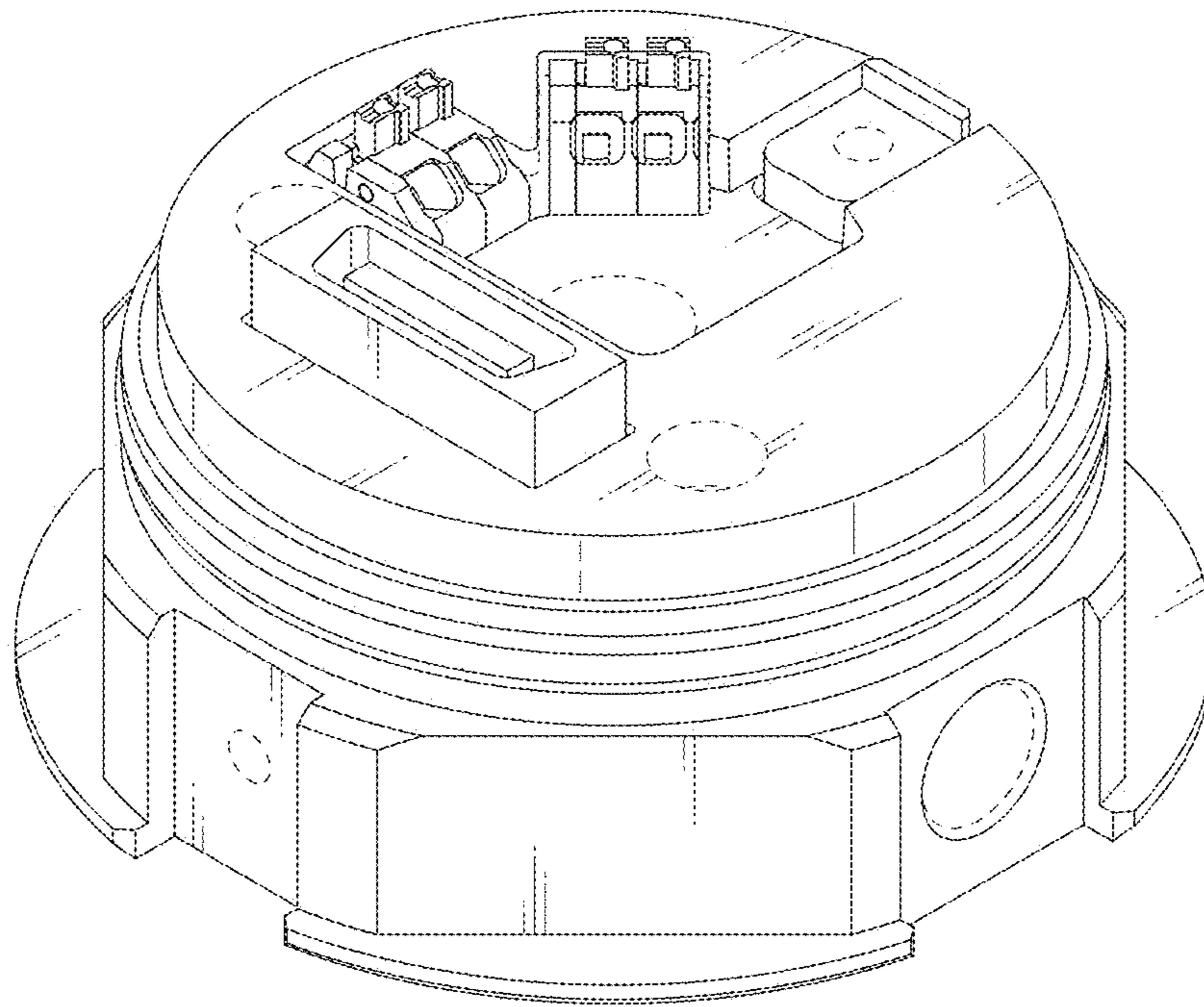


FIG. 2

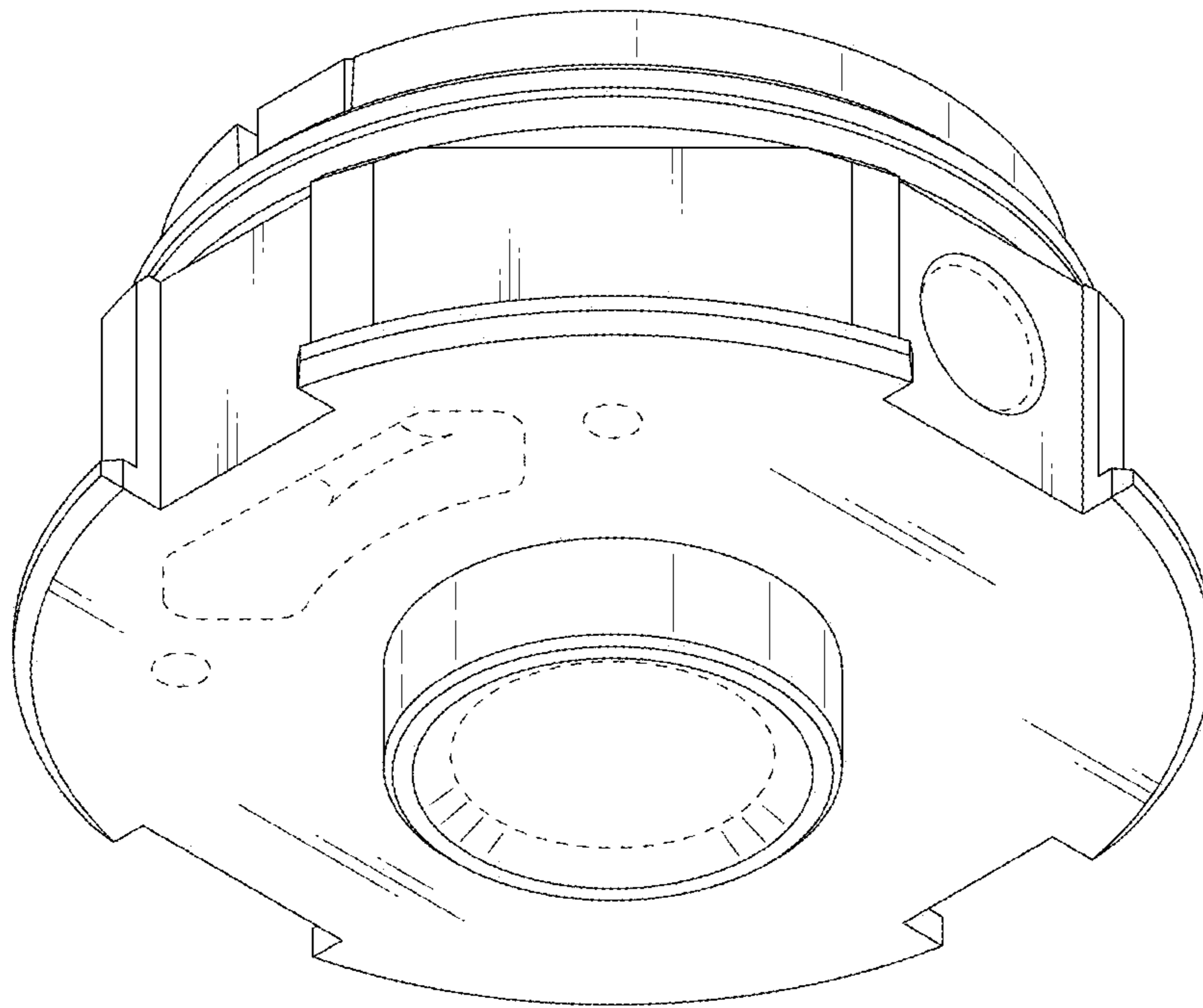


FIG. 3

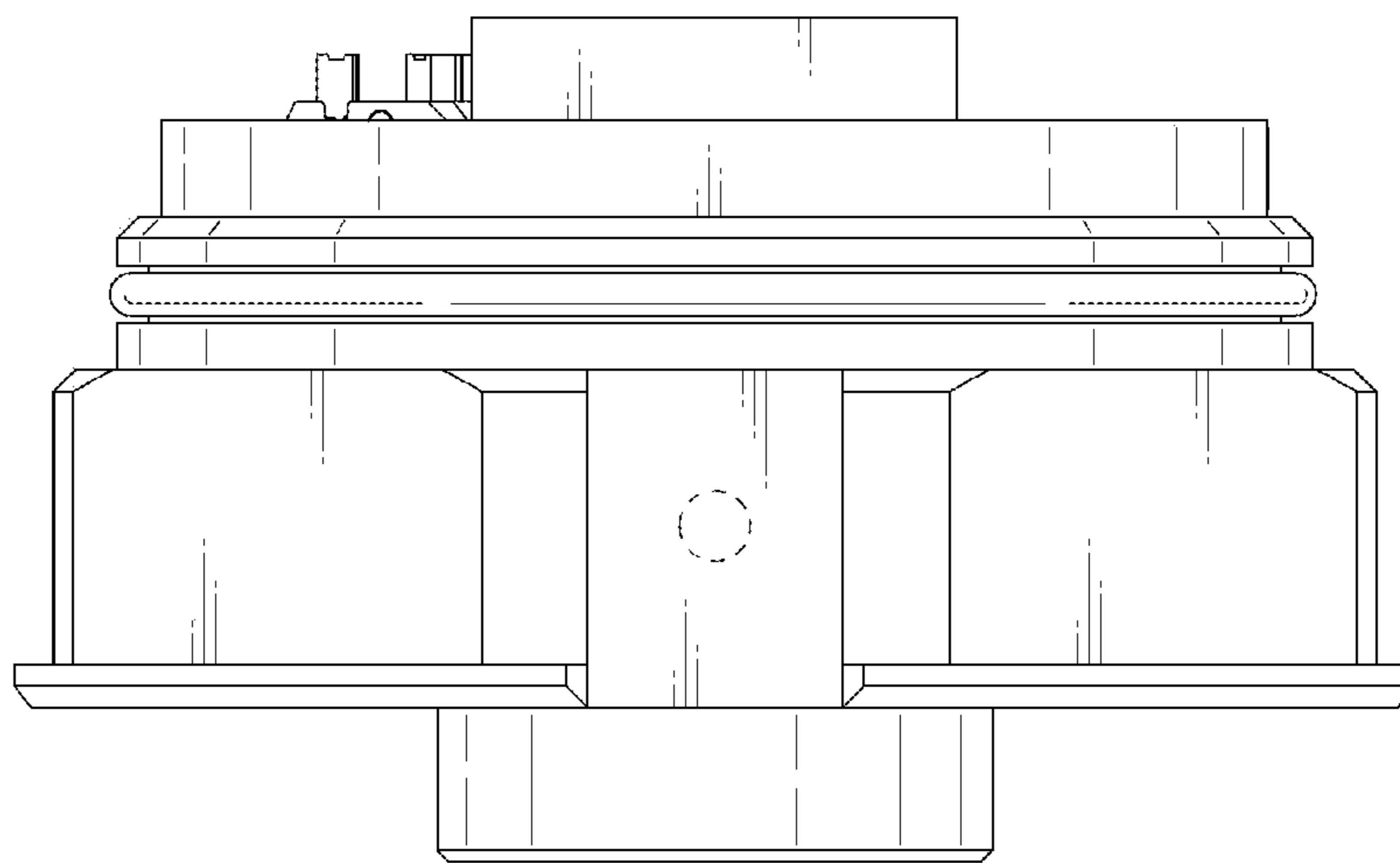


FIG. 4

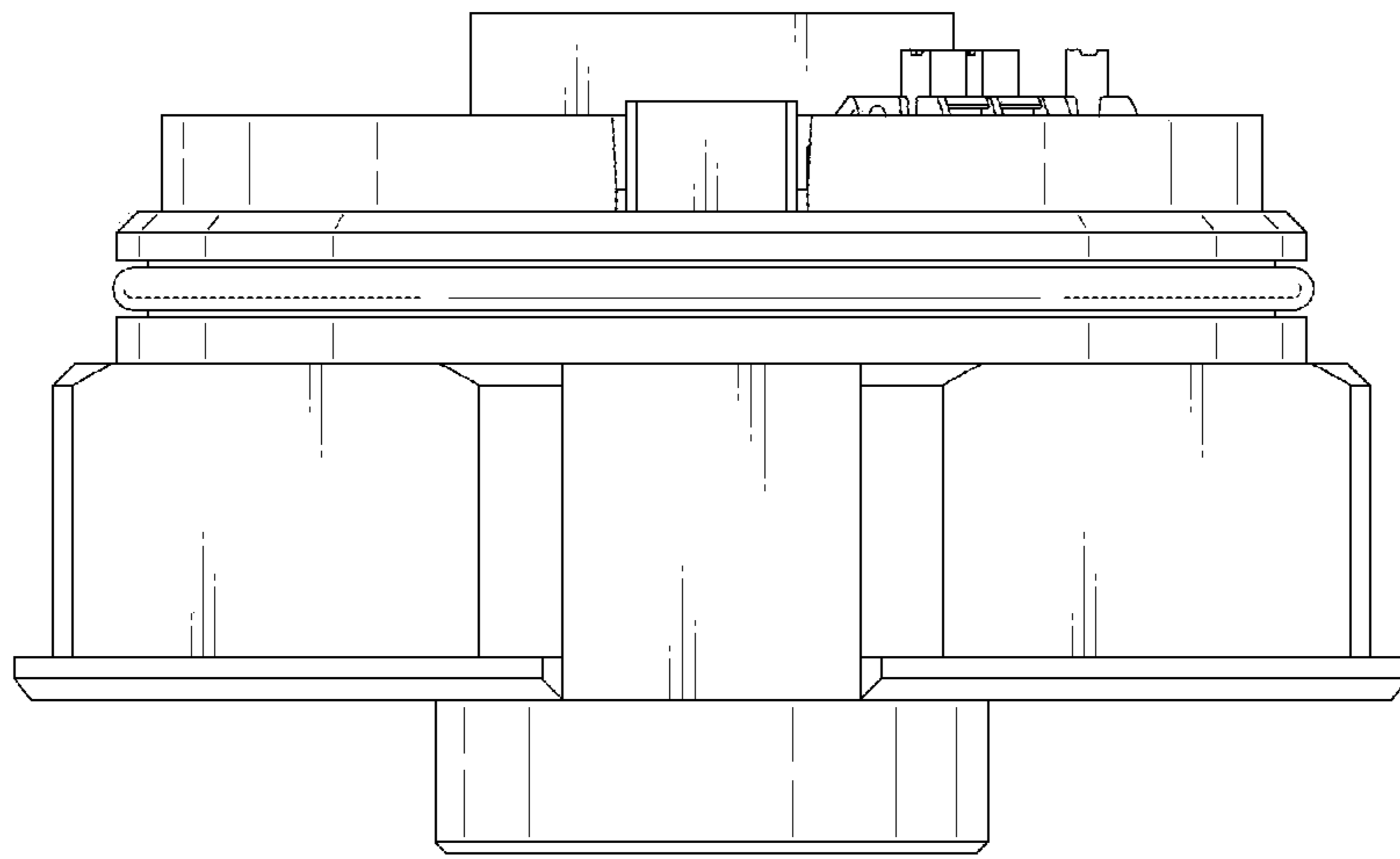


FIG. 5

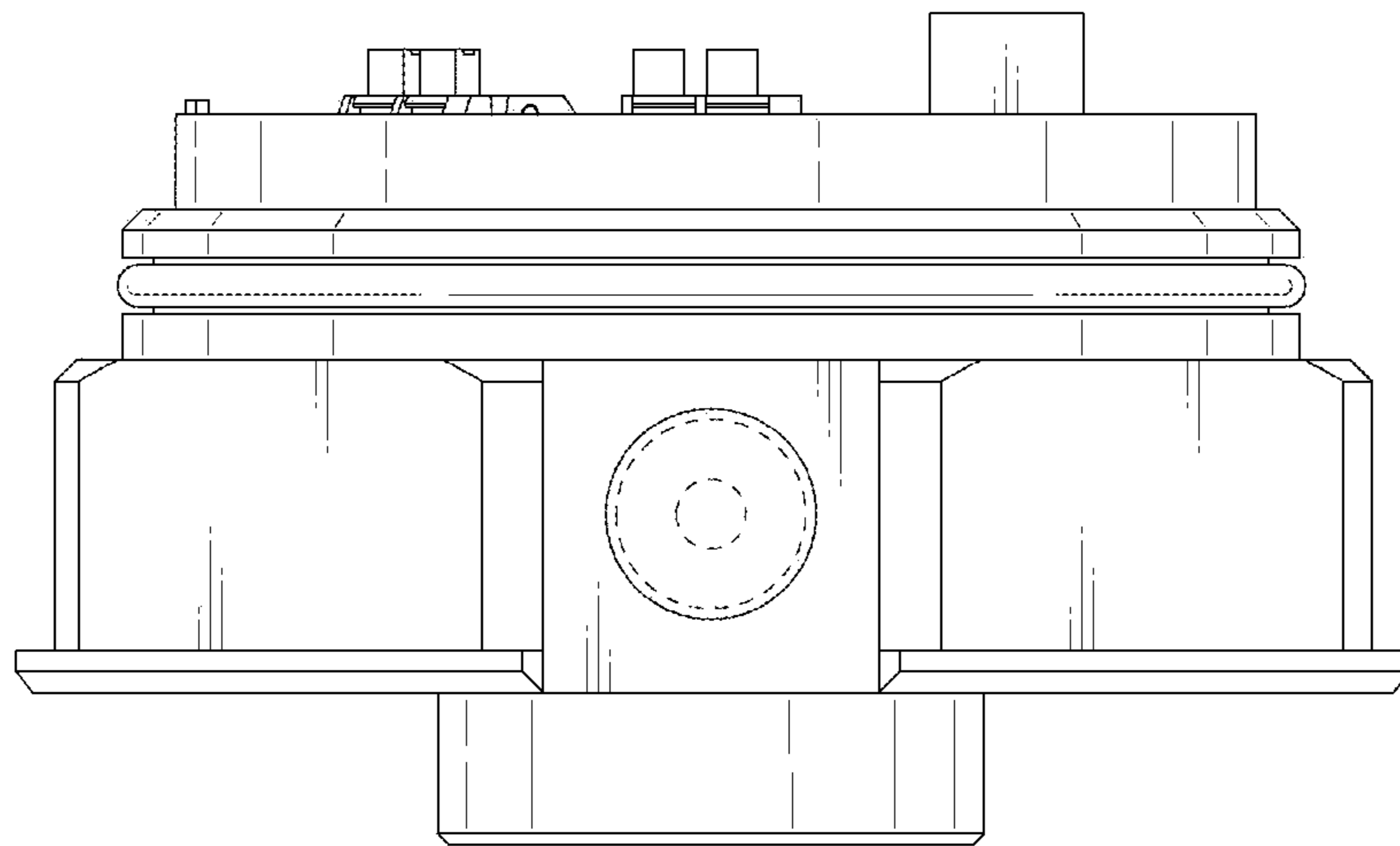


FIG. 6

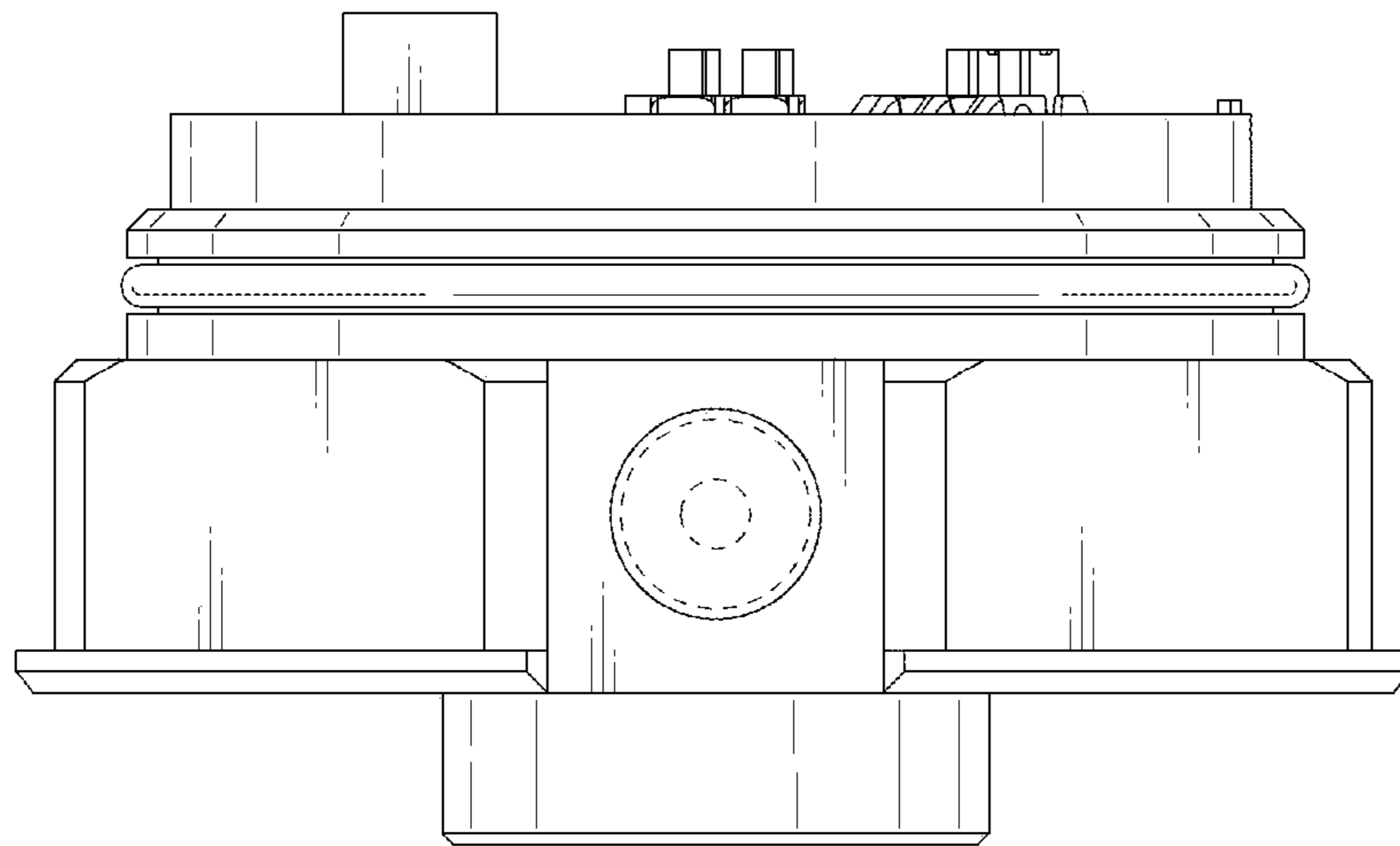


FIG. 7

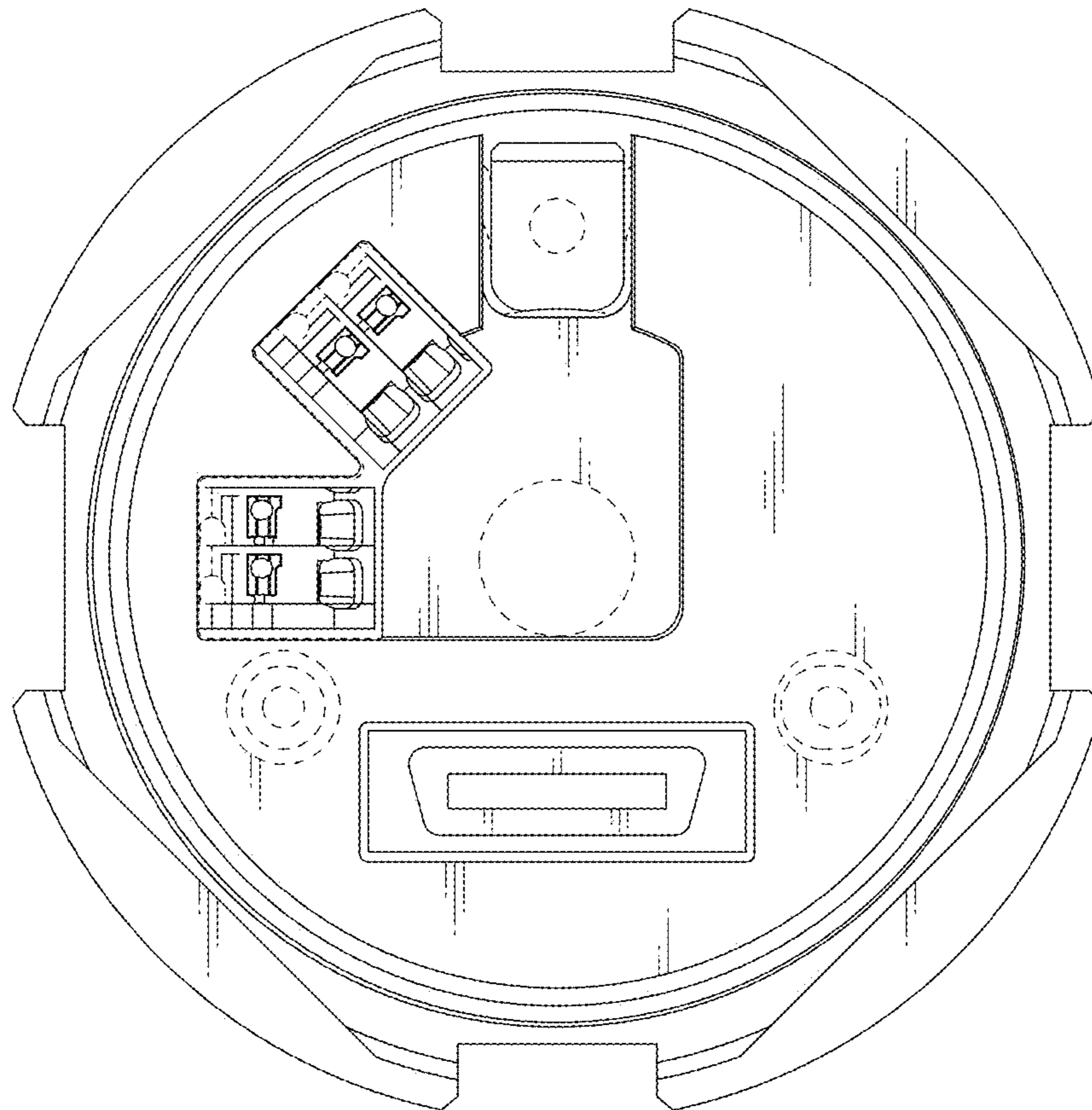




FIG. 8

