



US00D892738S

(12) **United States Design Patent** (10) **Patent No.:** **US D892,738 S**
Maddick (45) **Date of Patent:** **** Aug. 11, 2020**

- (54) **GRAIN BIN SPREADER MOTOR WITH DOMED BELL** 4,718,811 A 1/1988 Stoltzfus
5,167,318 A * 12/1992 Siemens B65G 65/466
198/550.01
- (71) Applicant: **Spread All Manufacturing Co.,** 6,503,041 B2 1/2003 Van Gorp
Marshalltown, IA (US) 6,689,961 B2 2/2004 Matsuyama et al.
6,726,430 B1 4/2004 Donelson
- (72) Inventor: **Brian Maddick, Marshalltown, IA (US)** D577,669 S * 9/2008 Hornberger D13/112
D655,309 S * 3/2012 Headley D15/5
8,678,735 B2 * 3/2014 Greeb B65G 65/466
414/307
- (73) Assignee: **Spread All Manufacturing Co.,** D733,779 S * 7/2015 Ebner D15/148
Marshalltown, IA (US) 9,491,939 B2 11/2016 Myers
- (**) Term: **15 Years** D780,118 S * 2/2017 Rudolph D13/112
D785,566 S * 5/2017 Du D13/112

(Continued)

(21) Appl. No.: **29/663,032**

(22) Filed: **Sep. 11, 2018**

Related U.S. Application Data

(63) Continuation of application No. 15/291,910, filed on Oct. 12, 2016, now abandoned.

(51) **LOC (12) Cl.** **13-01**

(52) **U.S. Cl.**
USPC **D13/112**

(58) **Field of Classification Search**
USPC D13/101, 112, 113, 114, 118, 122, 184,
D13/199; D15/3, 5, 148, 199; D30/121,
D30/128

CPC .. H02K 5/18; H02K 5/20; H02K 9/19; H02K
9/20; B65G 65/00; B65G 65/466; B65G
69/0441; B65B 37/10; A01M 25/006;
A01K 5/00; A01K 5/0225; A01K 5/0291
See application file for complete search history.

(56) **References Cited**

U.S. PATENT DOCUMENTS

- 1,716,059 A 6/1929 Huntmüller
- 3,469,718 A 9/1969 Felix et al.
- 3,490,618 A 1/1970 Buschbom
- 3,804,303 A 4/1974 Fassauer
- 4,031,929 A 6/1977 Cobb et al.

FOREIGN PATENT DOCUMENTS

EP 1407993 A1 4/2004

Primary Examiner — Derrick E Holland

(74) *Attorney, Agent, or Firm* — McKee, Voorhees & Sease, PLC

(57) **CLAIM**

The ornamental design for a grain bin spreader motor with domed bell, substantially as shown and described.

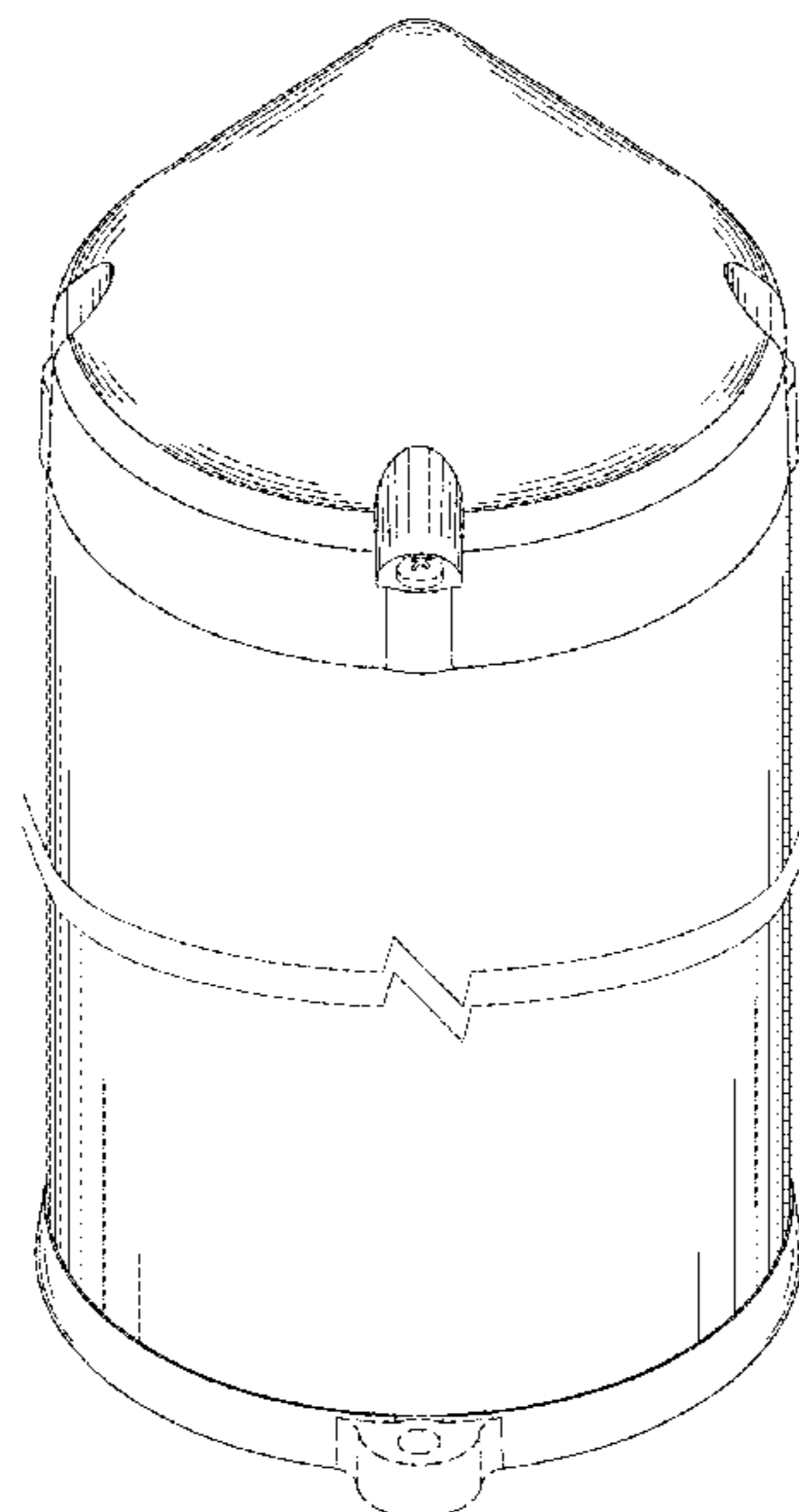
DESCRIPTION

FIG. 1 is a perspective view of a grain bin spreader motor with domed bell showing my new design; FIG. 2 is a side elevation view thereof; FIG. 3 is a top plan view thereof; and, FIG. 4 is a perspective view thereof, shown in environmental use.

The broken lines shown represent environmental structure and form no part of the claimed design.

The grain bin spreader motor with domed shaped bell is shown with a symbolic break in its length. The appearance of any portion of the article between the break lines forms no part of the claimed design.

1 Claim, 4 Drawing Sheets



(56)

References Cited

U.S. PATENT DOCUMENTS

D824,852 S * 8/2018 Cai D13/112
2004/0265098 A1 12/2004 DePierri

* cited by examiner

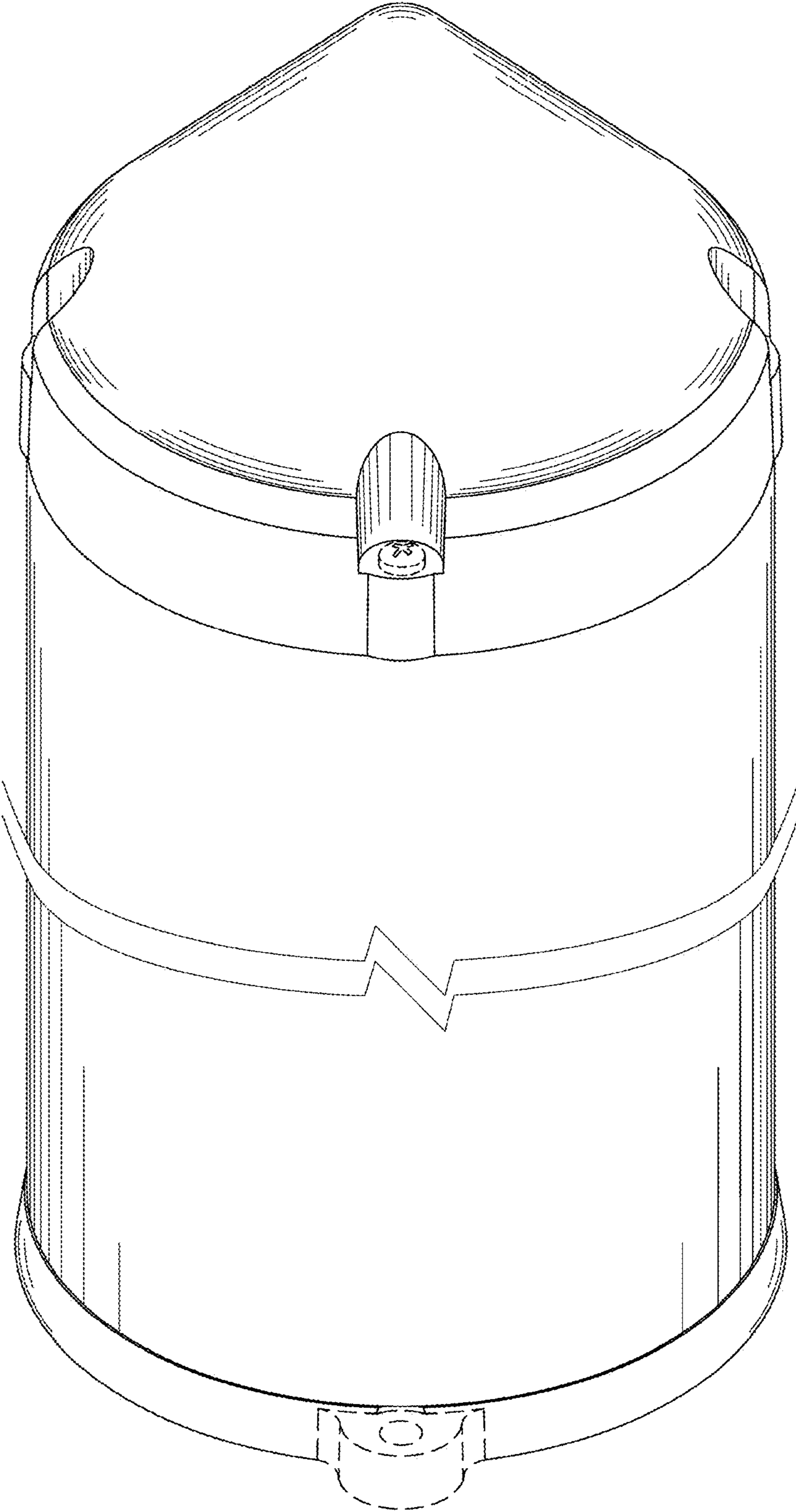


Fig. 1

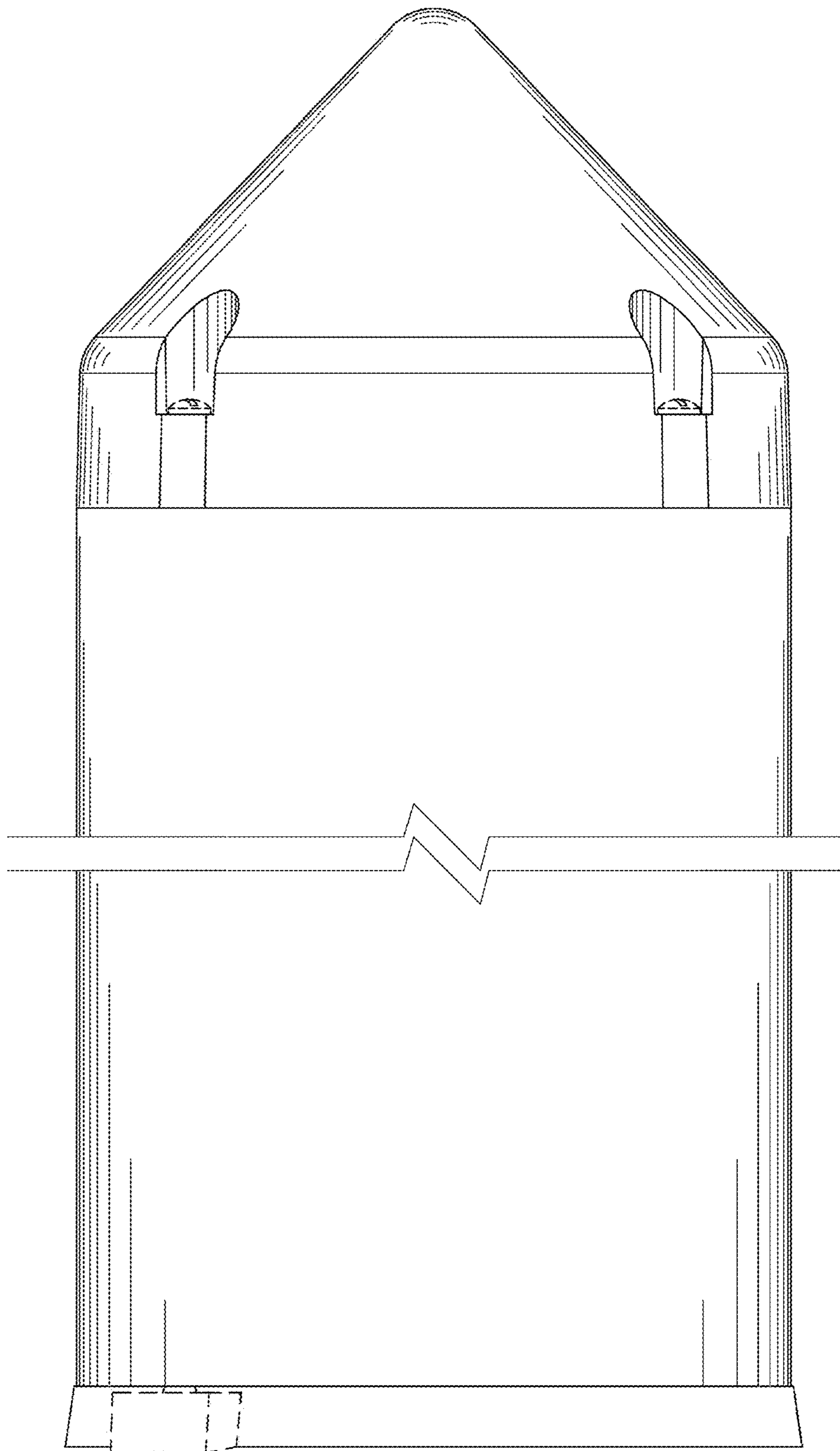


Fig. 2

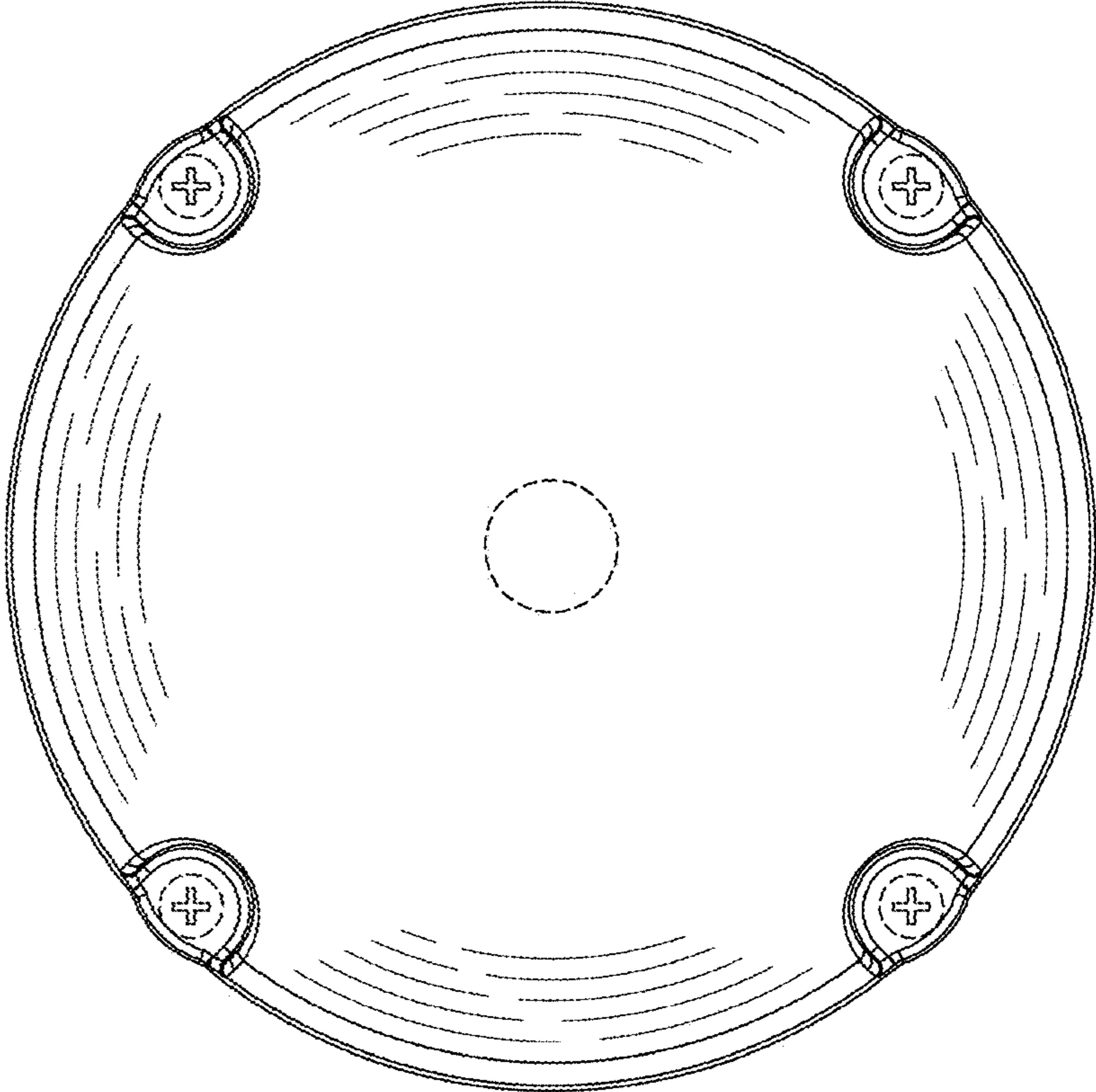


Fig. 3

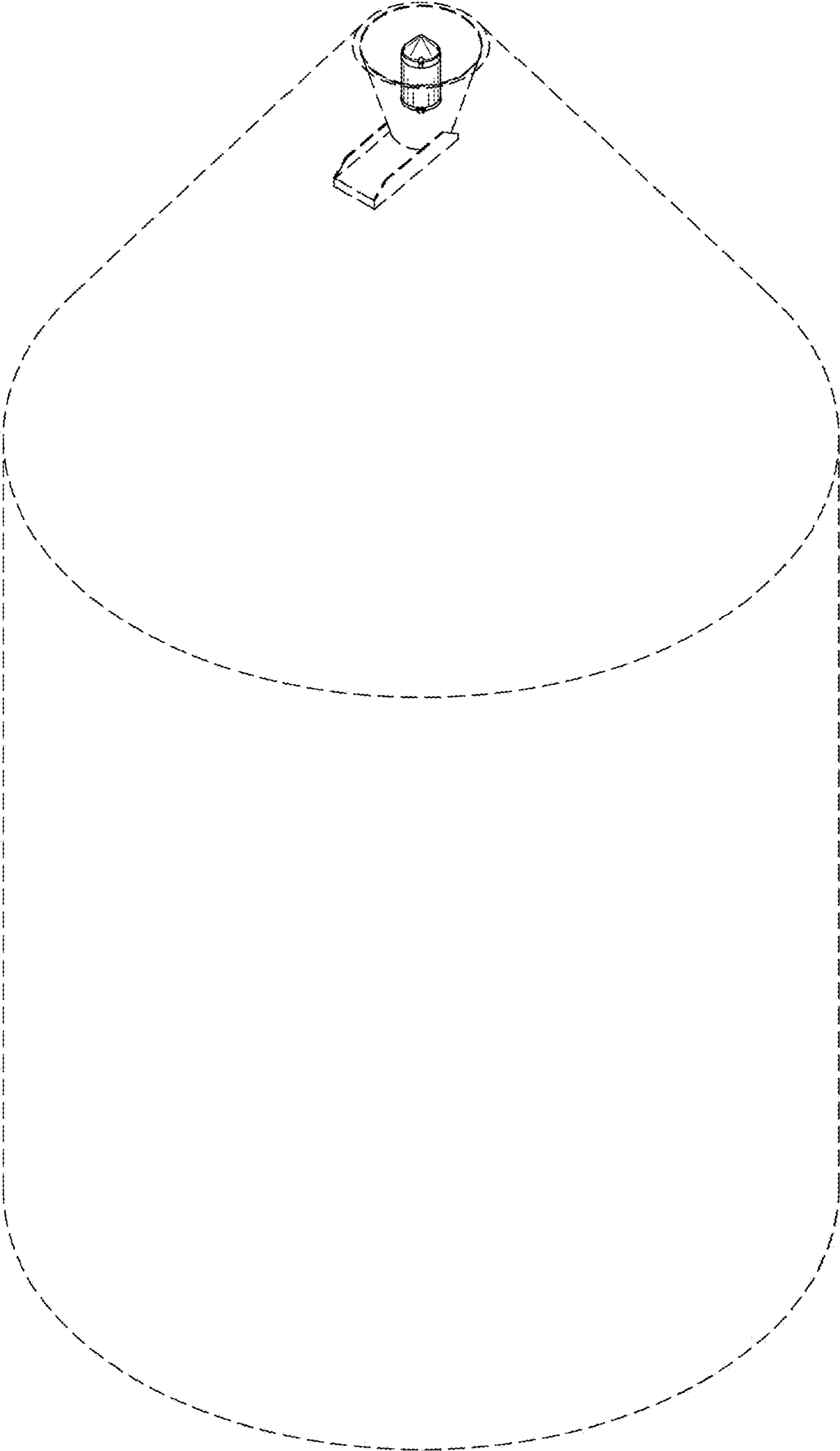


Fig. 4