



US00D892737S

(12) **United States Design Patent** (10) **Patent No.:** **US D892,737 S**
Yuan (45) **Date of Patent:** **** Aug. 11, 2020**

(54) **USB WALL CHARGER**
(71) Applicant: **Xianghua Yuan**, Shenzhen (CN)
(72) Inventor: **Xianghua Yuan**, Shenzhen (CN)
(**) Term: **15 Years**
(21) Appl. No.: **29/644,117**
(22) Filed: **Apr. 13, 2018**
(51) **LOC (12) Cl.** **13-02**
(52) **U.S. Cl.**
USPC **D13/110**
(58) **Field of Classification Search**
USPC D13/107-110, 118-119, 184; D14/251,
D14/253, 432, 434
CPC Y02E 60/12; Y02T 90/14; Y02T 90/122;
Y02T 90/128; Y02T 90/163; H02J 7/025;
H02J 7/0042; H02J 7/0044; H02J 7/0045;
H02J 7/0013; H02J 7/0003; H01F 38/14;
H01R 13/6675; H01M 2/1022; H01M
2/1055; H01M 10/44; H01M 10/46;
H01M 10/425; B60L 11/182
See application file for complete search history.

(56) **References Cited**
U.S. PATENT DOCUMENTS
D611,415 S * 3/2010 Andre D13/108
D623,136 S * 9/2010 Andre D13/108
D627,729 S * 11/2010 Smith D13/108

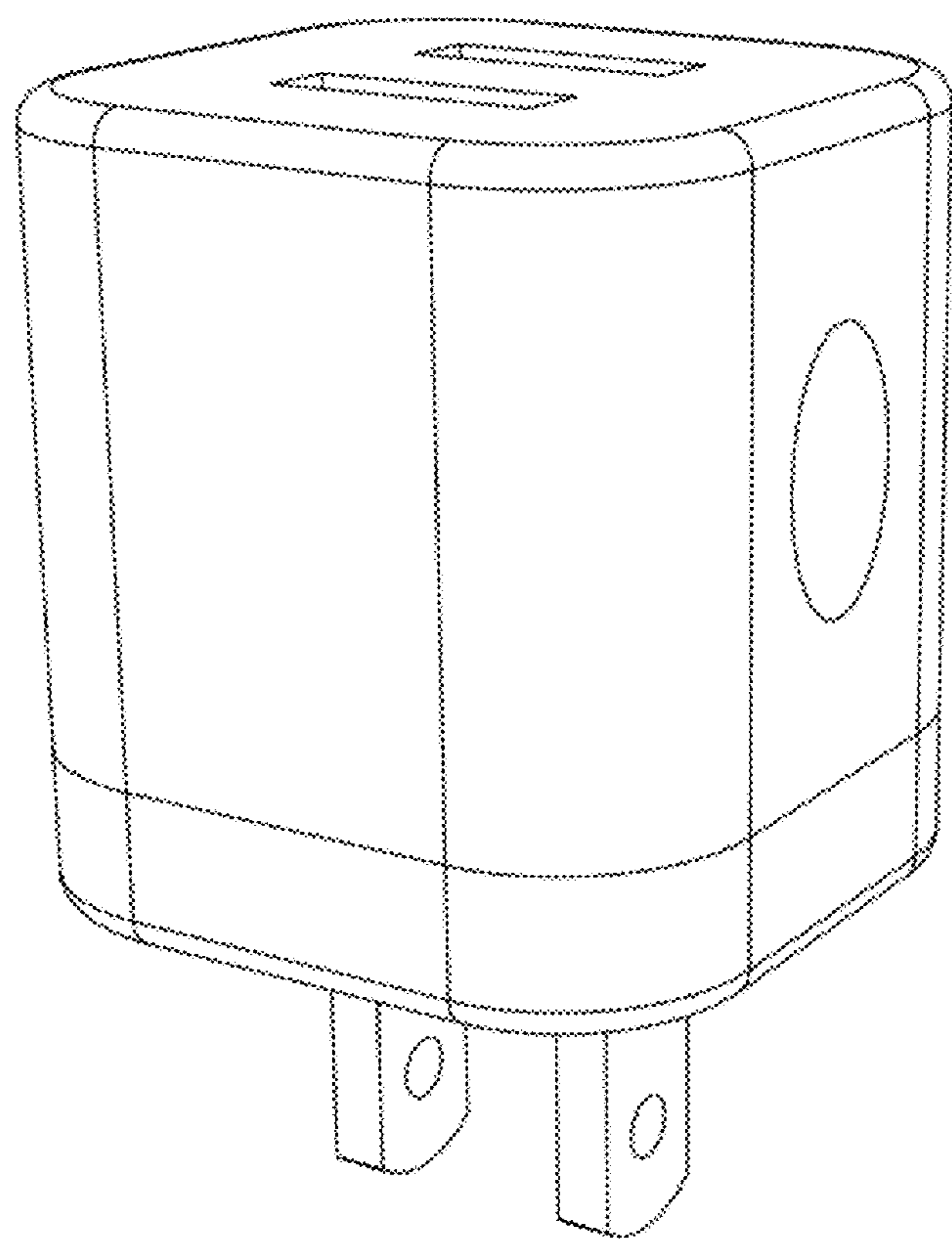
D653,614 S * 2/2012 Au D13/108
D653,615 S * 2/2012 Au D13/108
D711,823 S * 8/2014 Akana D13/110
D734,259 S * 7/2015 Cypress D13/110
D735,130 S * 7/2015 Huang D13/108
D820,208 S * 6/2018 Lemelson D13/110
D834,516 S * 11/2018 Jin D13/108
D873,446 S * 1/2020 Zhu D26/26
D879,044 S * 3/2020 Fan D13/137.2
D879,712 S * 3/2020 Fan D13/108

* cited by examiner
Primary Examiner — Nathaniel D. Buckner
(74) *Attorney, Agent, or Firm* — Jiangip LLC; Yanling
Jiang

(57) **CLAIM**
The ornamental design for a USB wall charger, as shown
and described.

DESCRIPTION
FIG. 1 is a perspective view showing a USB wall charger,
showing my new design;
FIG. 2 is yet another perspective view thereof;
FIG. 3 is a front view thereof;
FIG. 4 is a rear view thereof;
FIG. 5 is a top plan view thereof;
FIG. 6 is a bottom plan view thereof;
FIG. 7 is a side view thereof; and,
FIG. 8 is an opposite side view thereof.

1 Claim, 8 Drawing Sheets



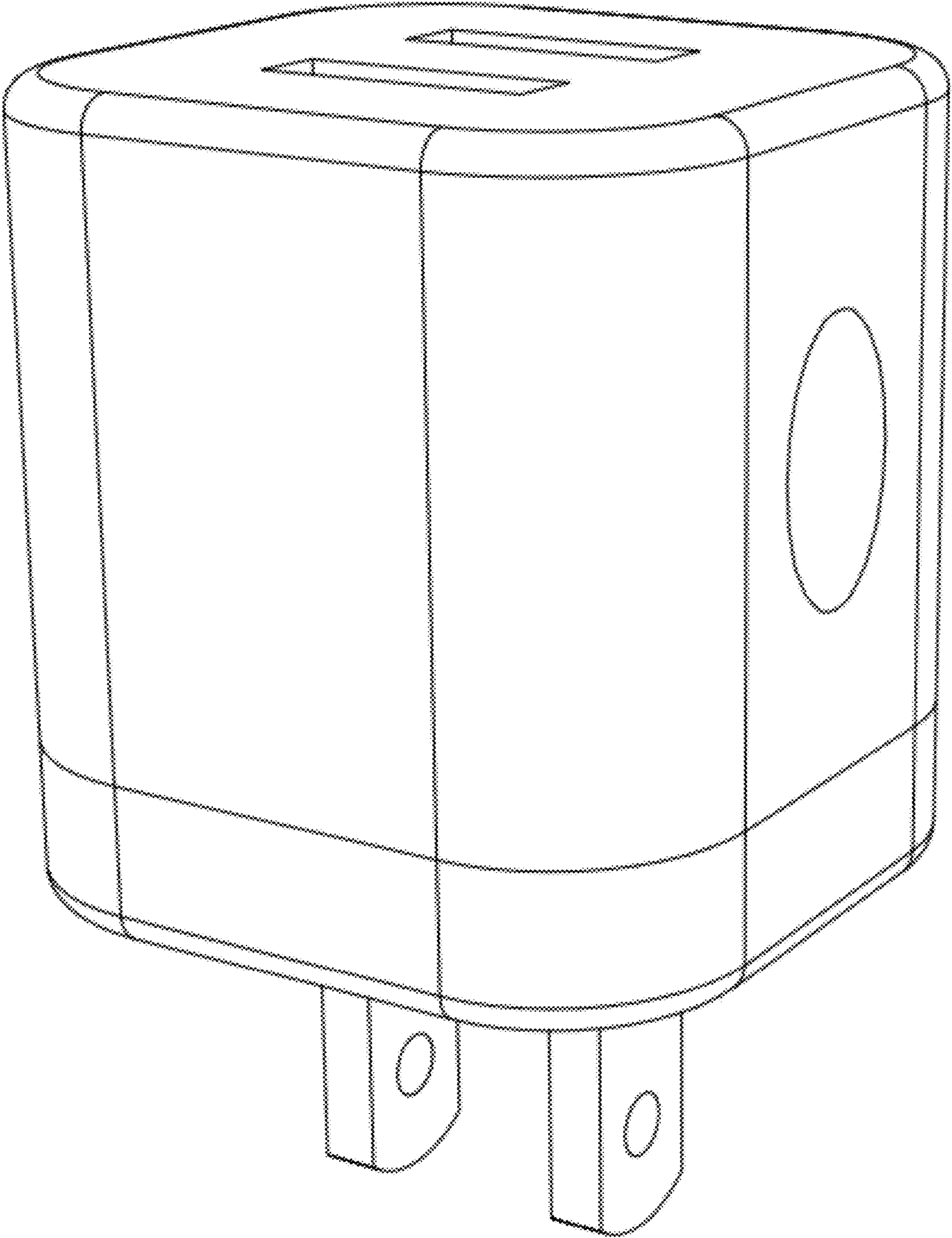


Fig. 1

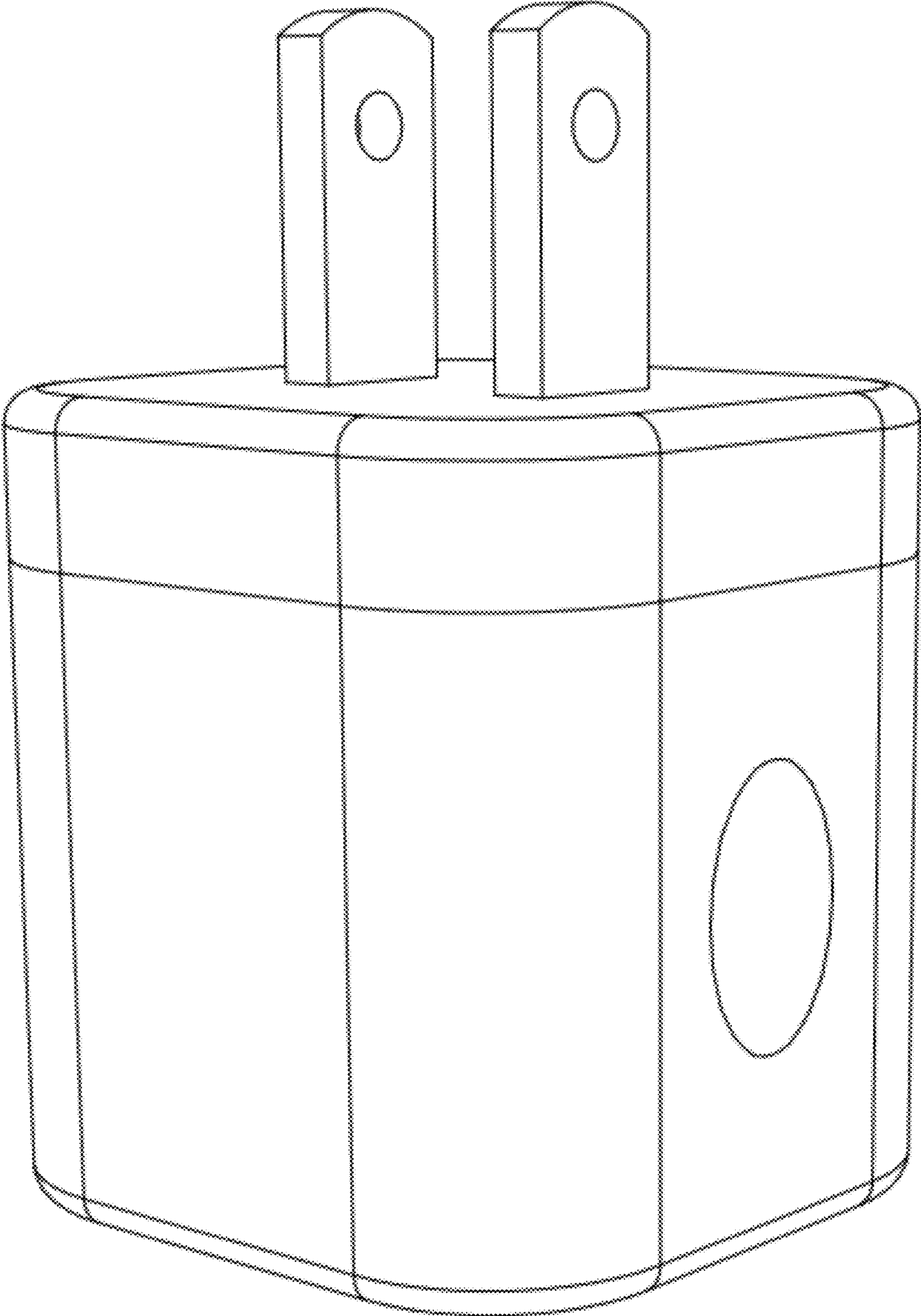


Fig. 2

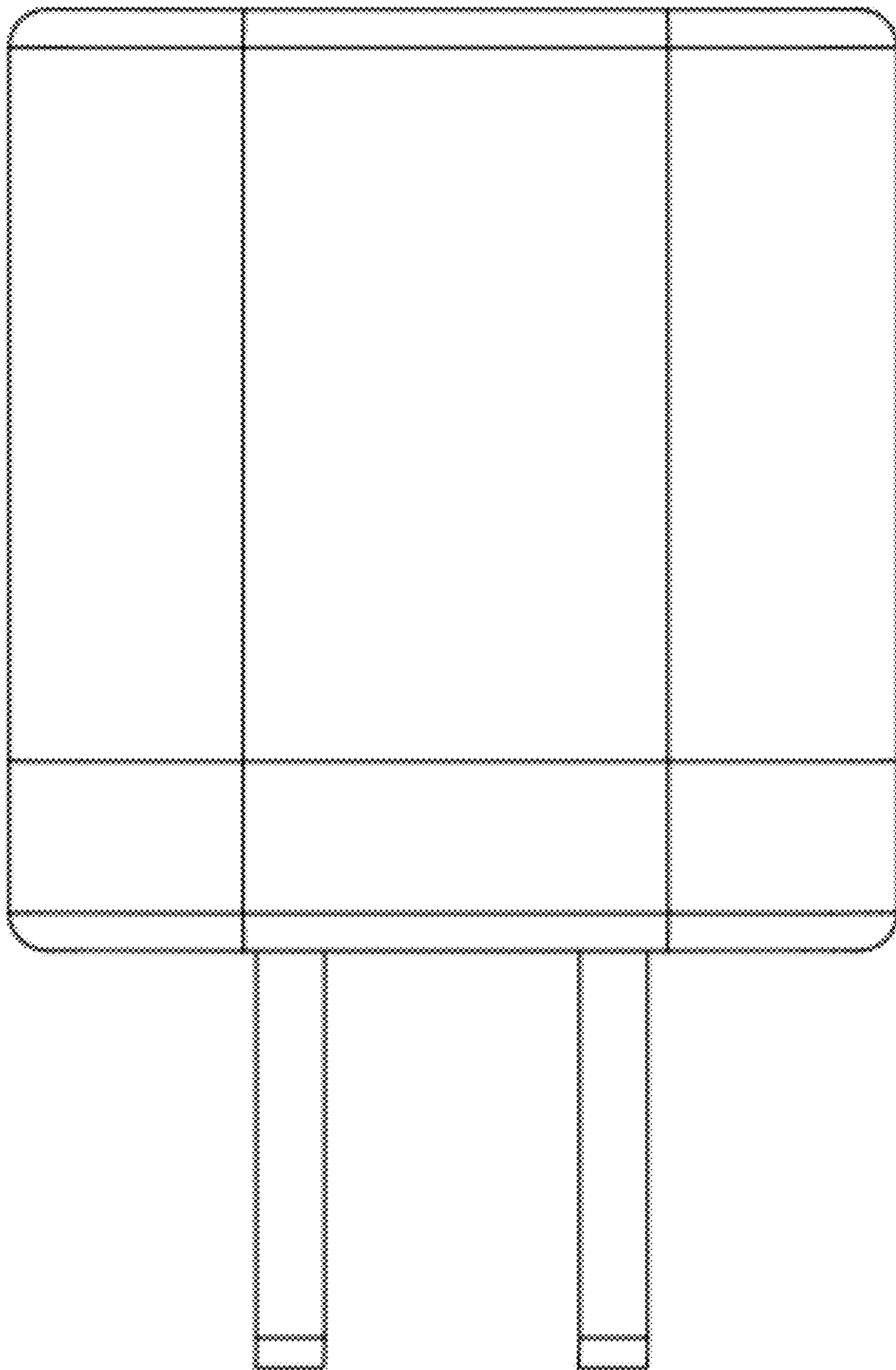


Fig. 3

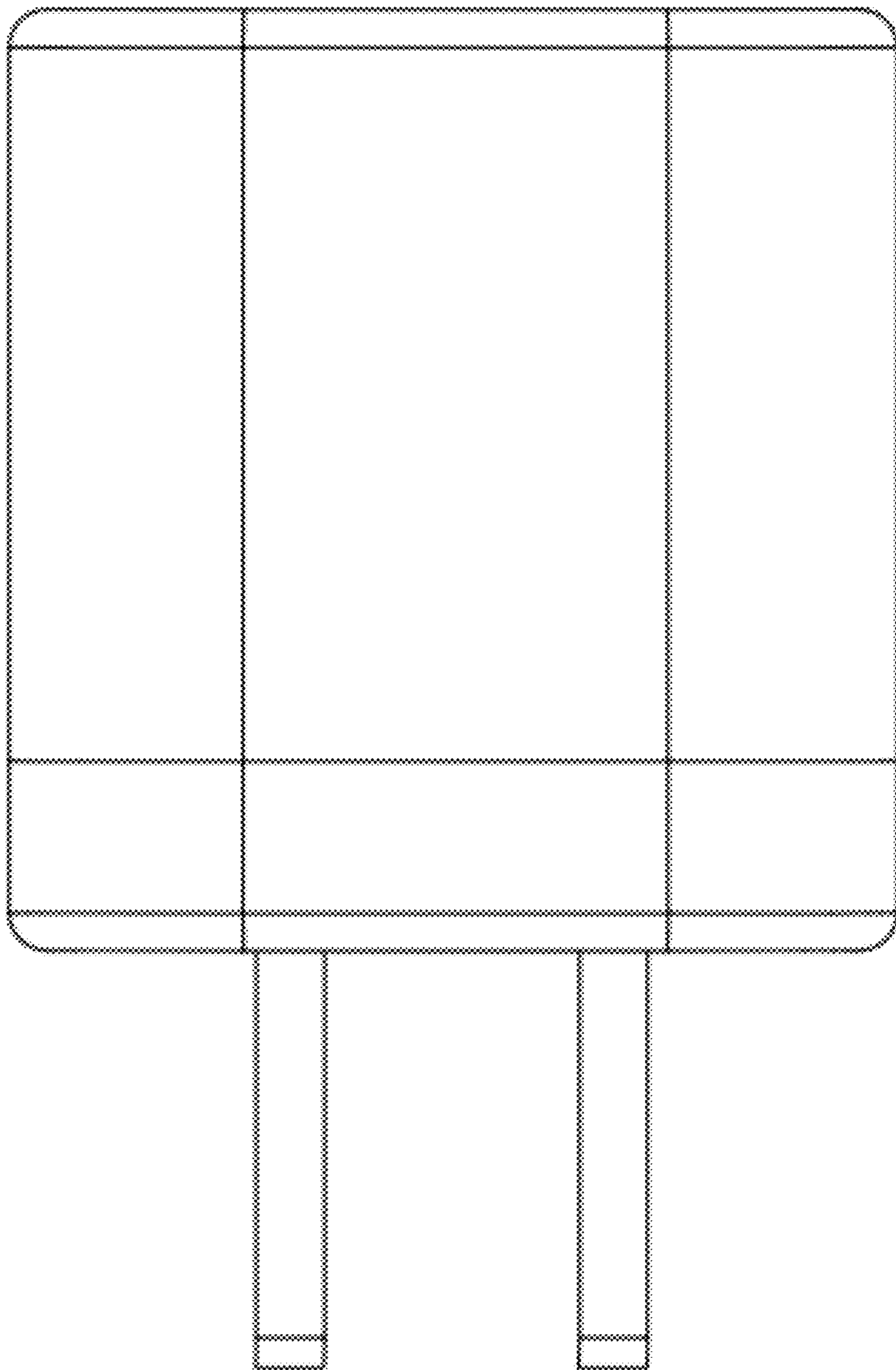


Fig. 4

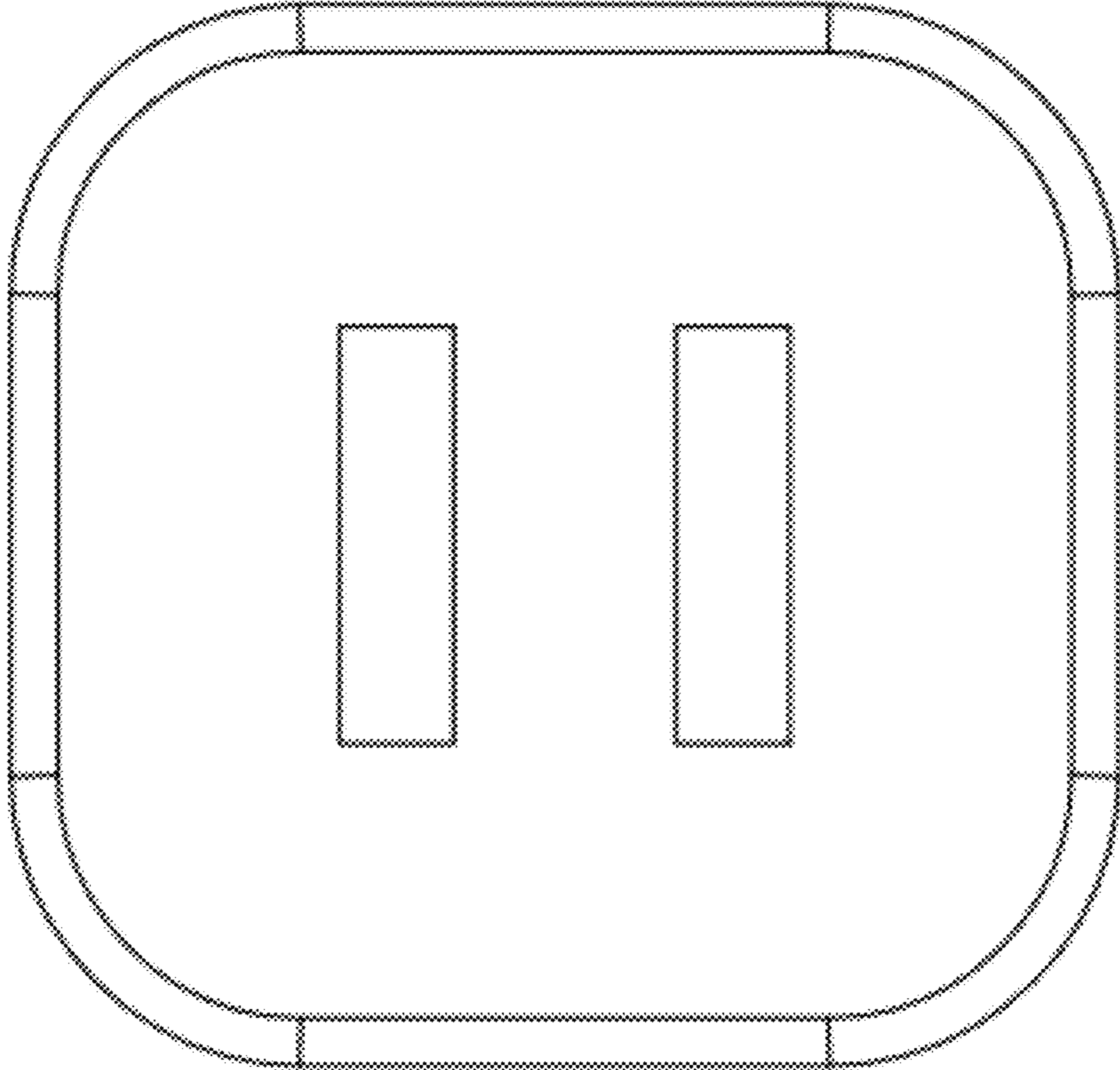


Fig. 5

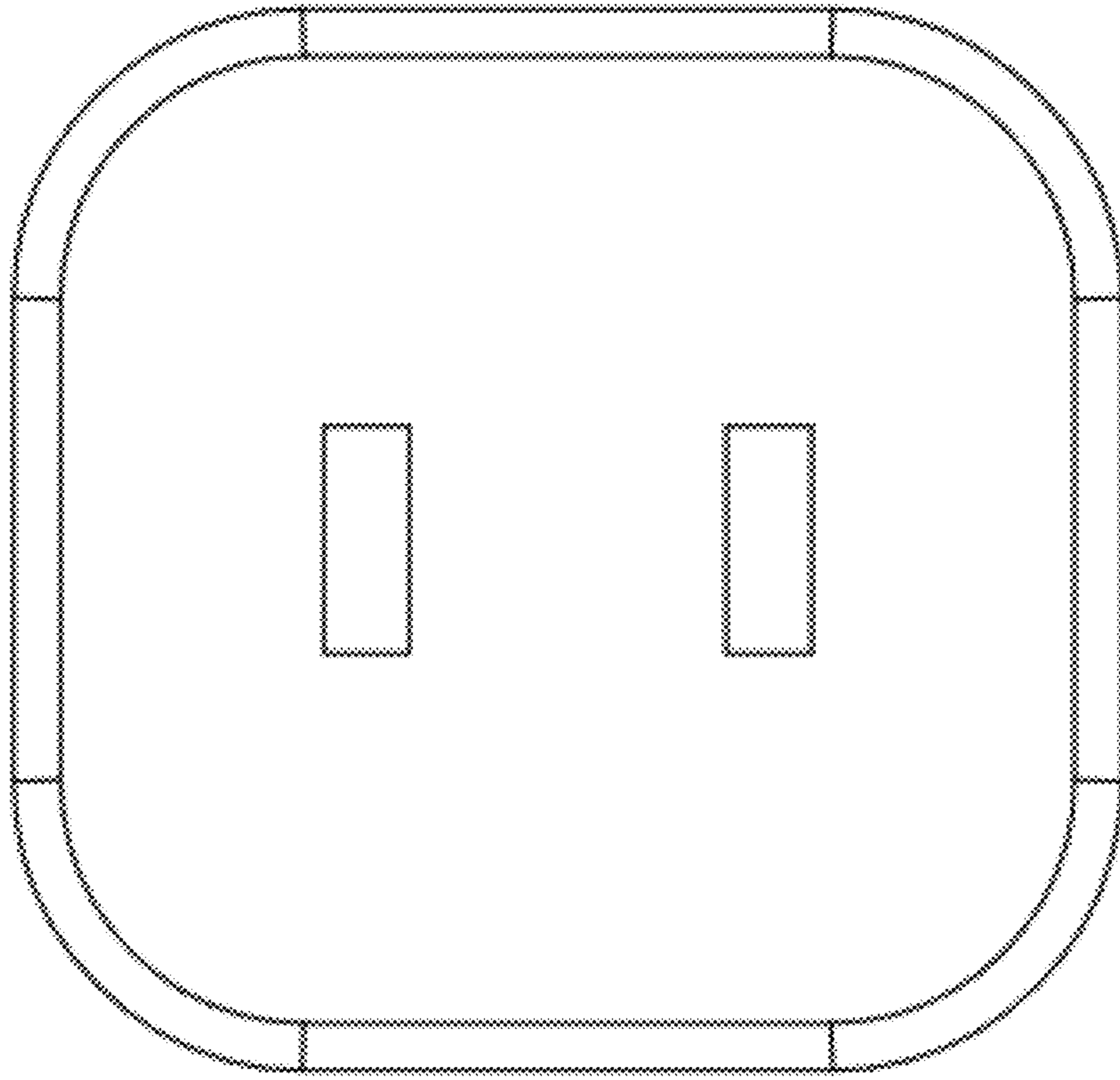


Fig. 6

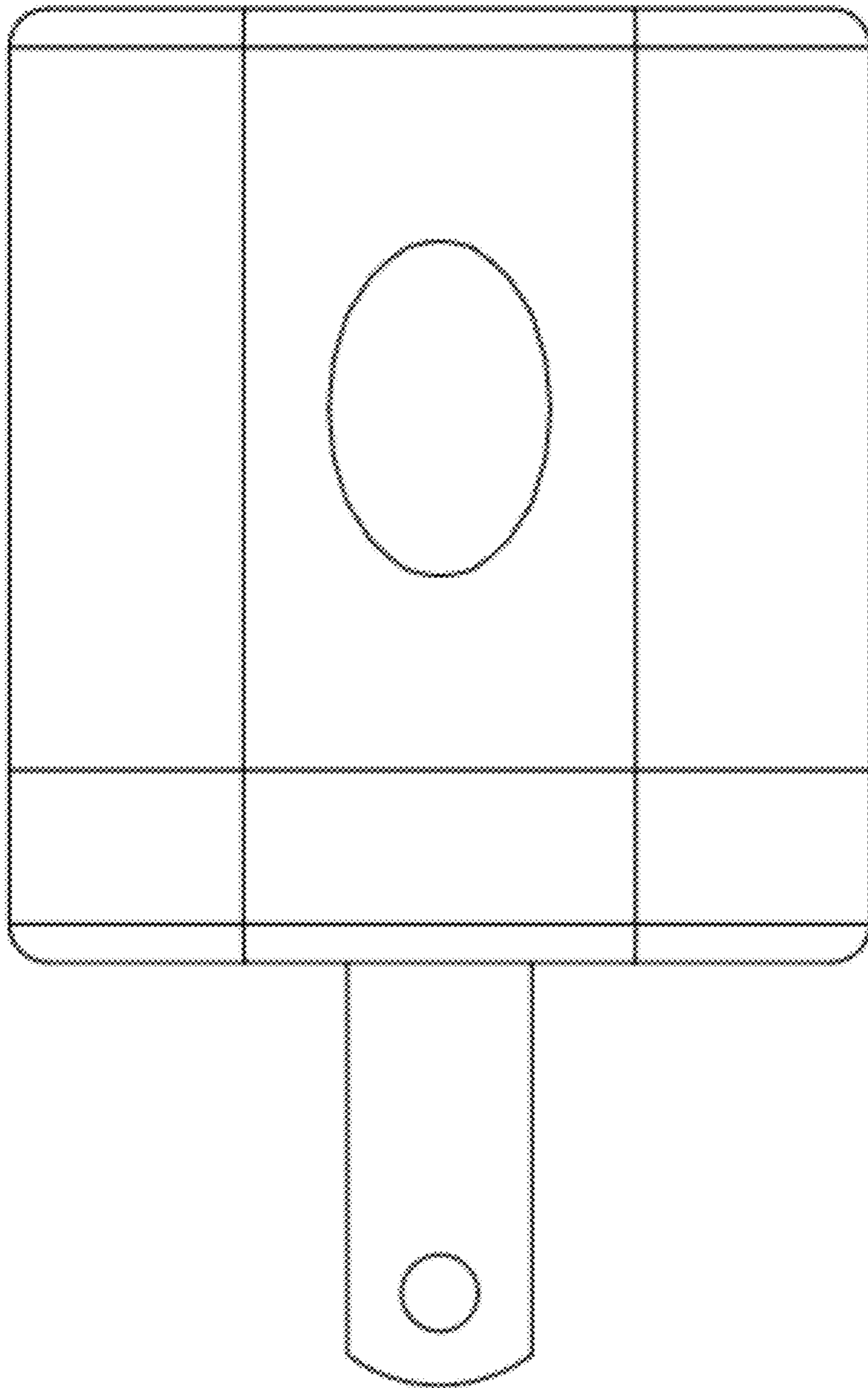


Fig. 7

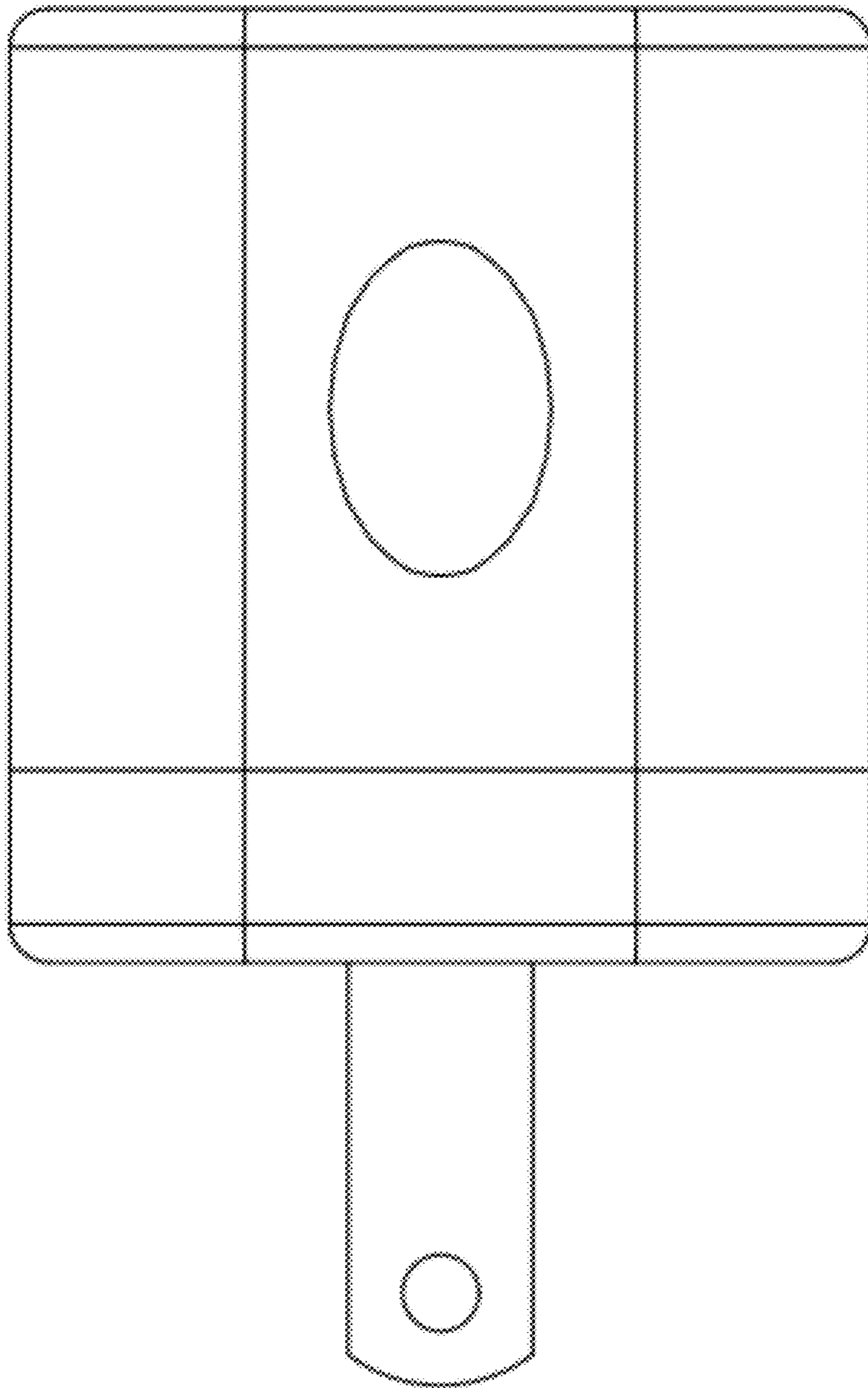


Fig. 8