



US00D892736S

(12) **United States Design Patent** (10) **Patent No.:** **US D892,736 S**  
**Jin** (45) **Date of Patent:** **\*\* Aug. 11, 2020**

(54) **USB C CHARGER**  
(71) Applicant: **Zhiwei Jin**, Shenzhen (CN)  
(72) Inventor: **Zhiwei Jin**, Shenzhen (CN)  
(\*\*) Term: **15 Years**  
(21) Appl. No.: **29/732,175**  
(22) Filed: **Apr. 22, 2020**  
(51) **LOC (12) Cl.** ..... **13-02**  
(52) **U.S. Cl.**  
USPC ..... **D13/108**  
(58) **Field of Classification Search**  
USPC ..... D13/103, 107-108, 110, 184, 199;  
D14/251, 253, 432, 434  
CPC ..... H02J 7/0044; H02J 7/0045; H02J 7/0042;  
H02J 7/342; H02J 7/345; H02J 7/025;  
H02J 7/026; H02J 7/0007; H02J 7/0027;  
H02J 7/0003; H02J 50/00; H02J 50/10;  
H02J 50/12; H02J 50/80; H02J 50/40;  
H02J 50/402; H02J 50/50; H02J 50/0013;  
H02J 50/0021; H02J 50/0022; H02J  
50/0027; H02J 50/02; H01M 10/44;  
H01M 10/441  
See application file for complete search history.

D693,764 S	11/2013	Hok Man	
D704,630 S *	5/2014	Liu .....	D13/108
D711,823 S *	8/2014	Akana .....	D13/110
D729,160 S *	5/2015	Levy .....	D13/110
D730,823 S *	6/2015	Leung .....	D13/108
D734,259 S *	7/2015	Cepress .....	D13/110
D734,260 S *	7/2015	Cepress .....	D13/110
D735,130 S *	7/2015	Huang .....	D13/108
D740,751 S *	10/2015	Akana .....	D13/110
D741,257 S *	10/2015	Sumida .....	D13/108
D742,309 S *	11/2015	Sumida .....	D13/108
D763,190 S *	8/2016	Akana .....	D13/110
D778,835 S *	2/2017	Akana .....	D13/110
D778,914 S *	2/2017	Huang .....	D14/433
D804,412 S *	12/2017	Huang .....	D13/108
D808,903 S *	1/2018	Koenig .....	D13/110
D819,566 S *	6/2018	Hung .....	D13/110
D834,516 S *	11/2018	Jin .....	D13/108

\* cited by examiner

*Primary Examiner* — Rosemary K Tarcza  
(74) *Attorney, Agent, or Firm* — KA Filing LLC; Wayne V. Harper; Cynthia Flanigan

(57) **CLAIM**

I claim the ornamental design for a USB C charger, as shown and described.

**DESCRIPTION**

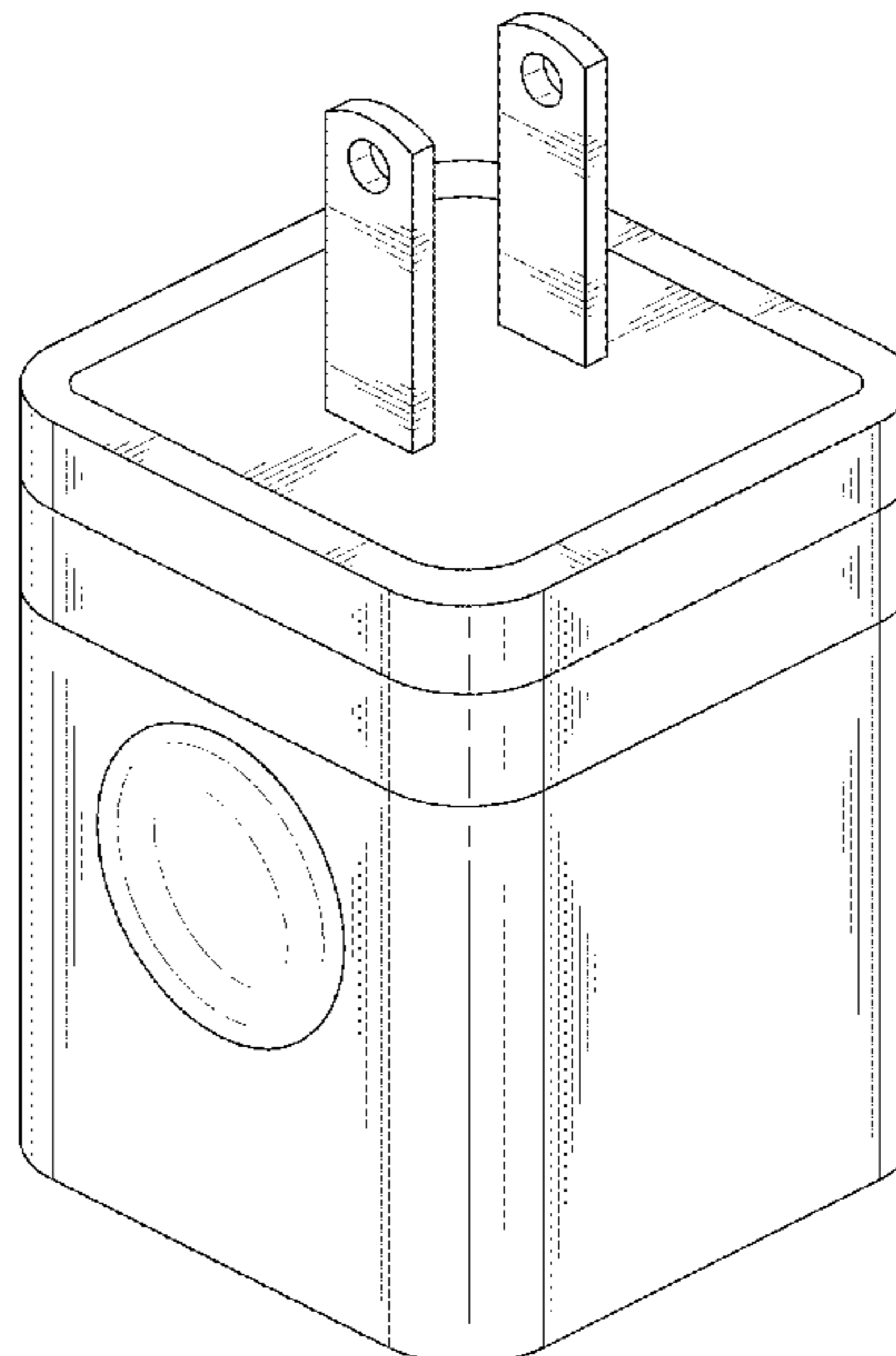
FIG. 1 is a Perspective view of a USB C charger showing my new design;  
FIG. 2 is a Front view thereof;  
FIG. 3 is a Back view thereof;  
FIG. 4 is a Left-side view thereof;  
FIG. 5 is a Right-side view thereof;  
FIG. 6 is a Top view thereof; and,  
FIG. 7 is a Bottom view thereof.  
The broken lines shown in the drawings are included for the purpose of illustrating portions of the USB C charger that form no part of the claimed design.

**1 Claim, 7 Drawing Sheets**

(56) **References Cited**

U.S. PATENT DOCUMENTS

D587,193 S *	2/2009	McGinley .....	D13/110
D638,357 S *	5/2011	Sasada .....	D13/110
D642,524 S *	8/2011	Fitch .....	D13/110
D653,208 S *	1/2012	Au .....	D13/108
D653,614 S *	2/2012	Au .....	D13/108
D653,615 S *	2/2012	Au .....	D13/108
D654,020 S *	2/2012	Au .....	D13/108
D655,243 S *	3/2012	Au .....	D13/108
D655,244 S *	3/2012	Au .....	D13/108
D663,267 S *	7/2012	Kim .....	D13/110
D693,299 S *	11/2013	Zaslavsky .....	D13/110



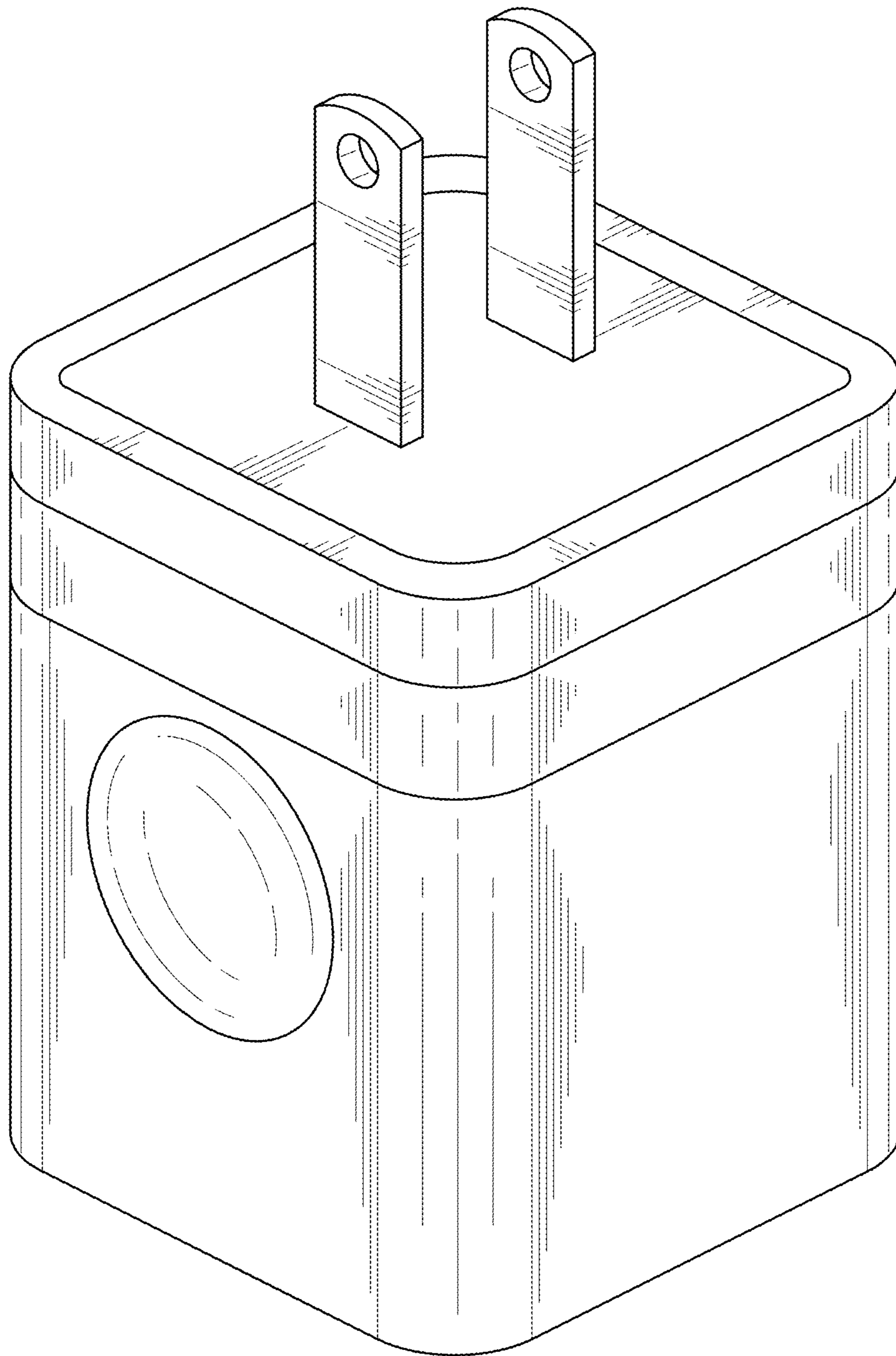


FIG. 1

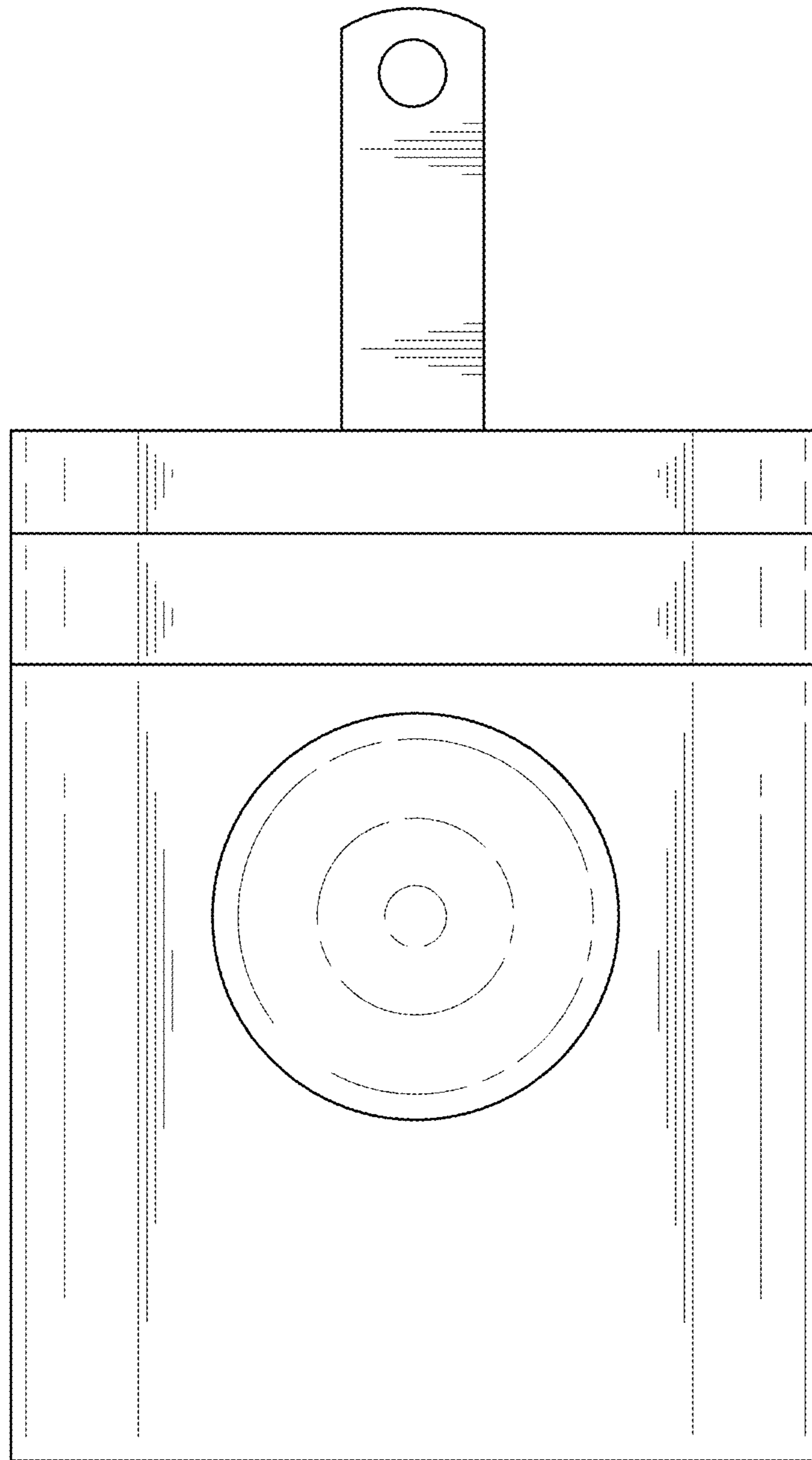


FIG. 2

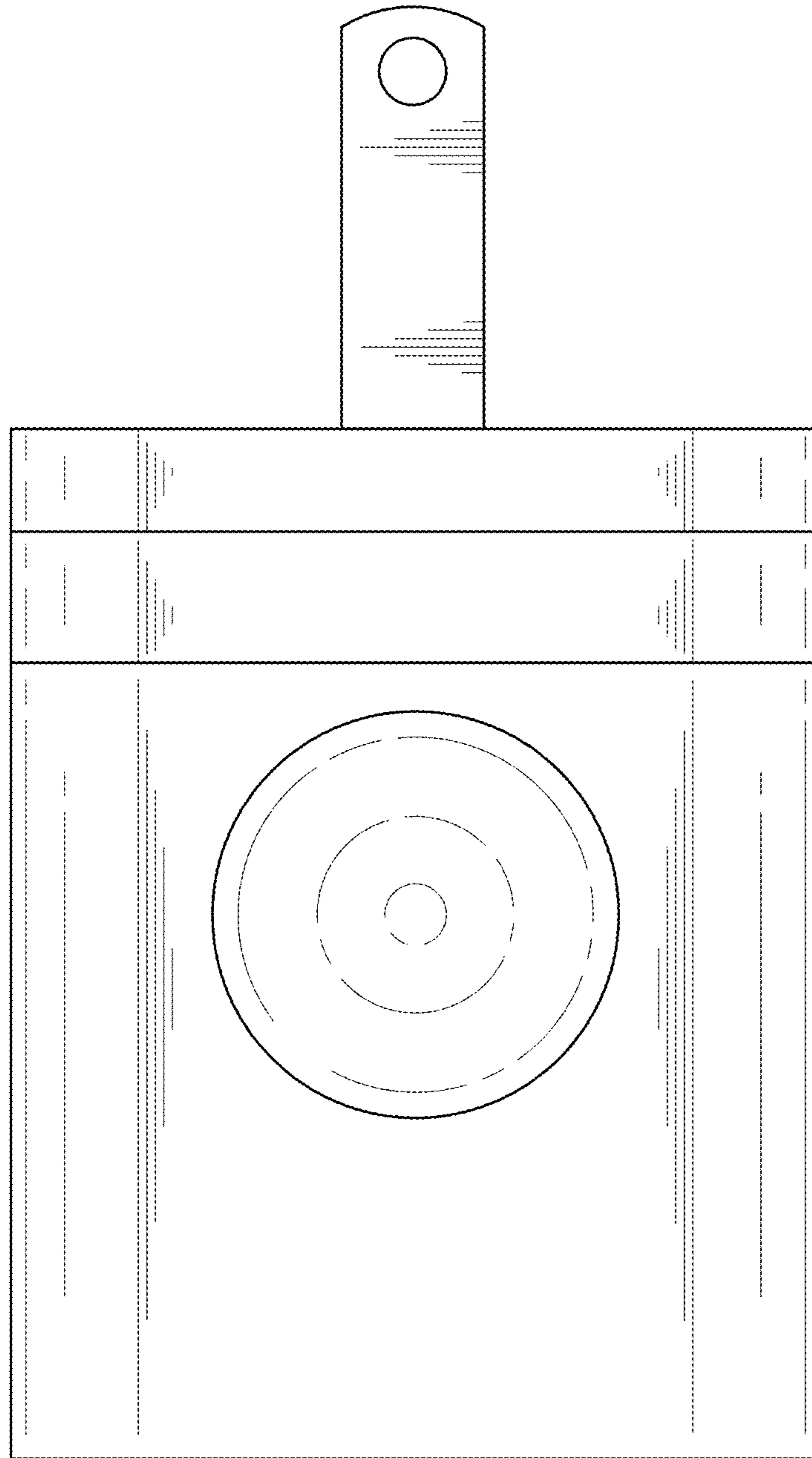


FIG. 3

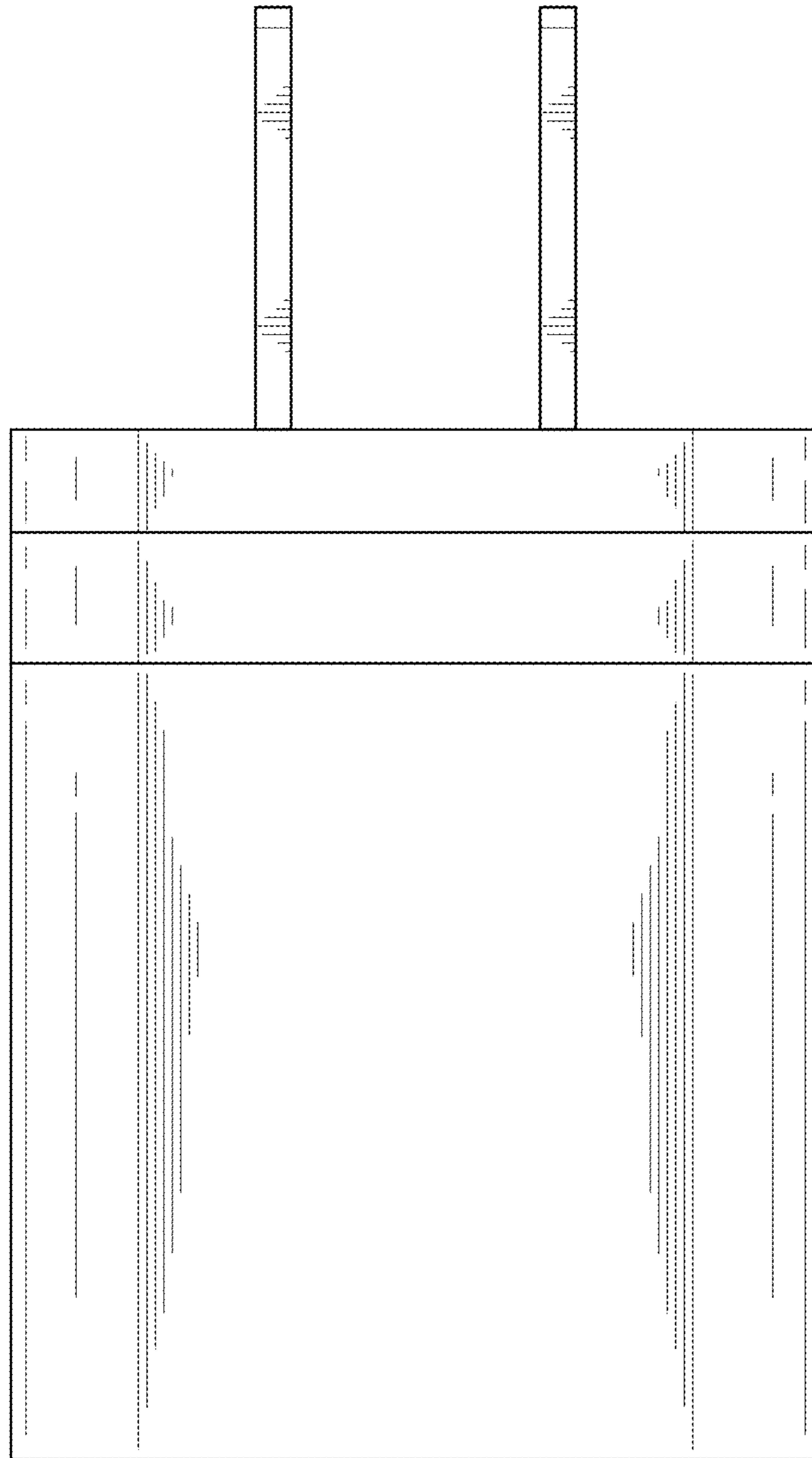


FIG. 4

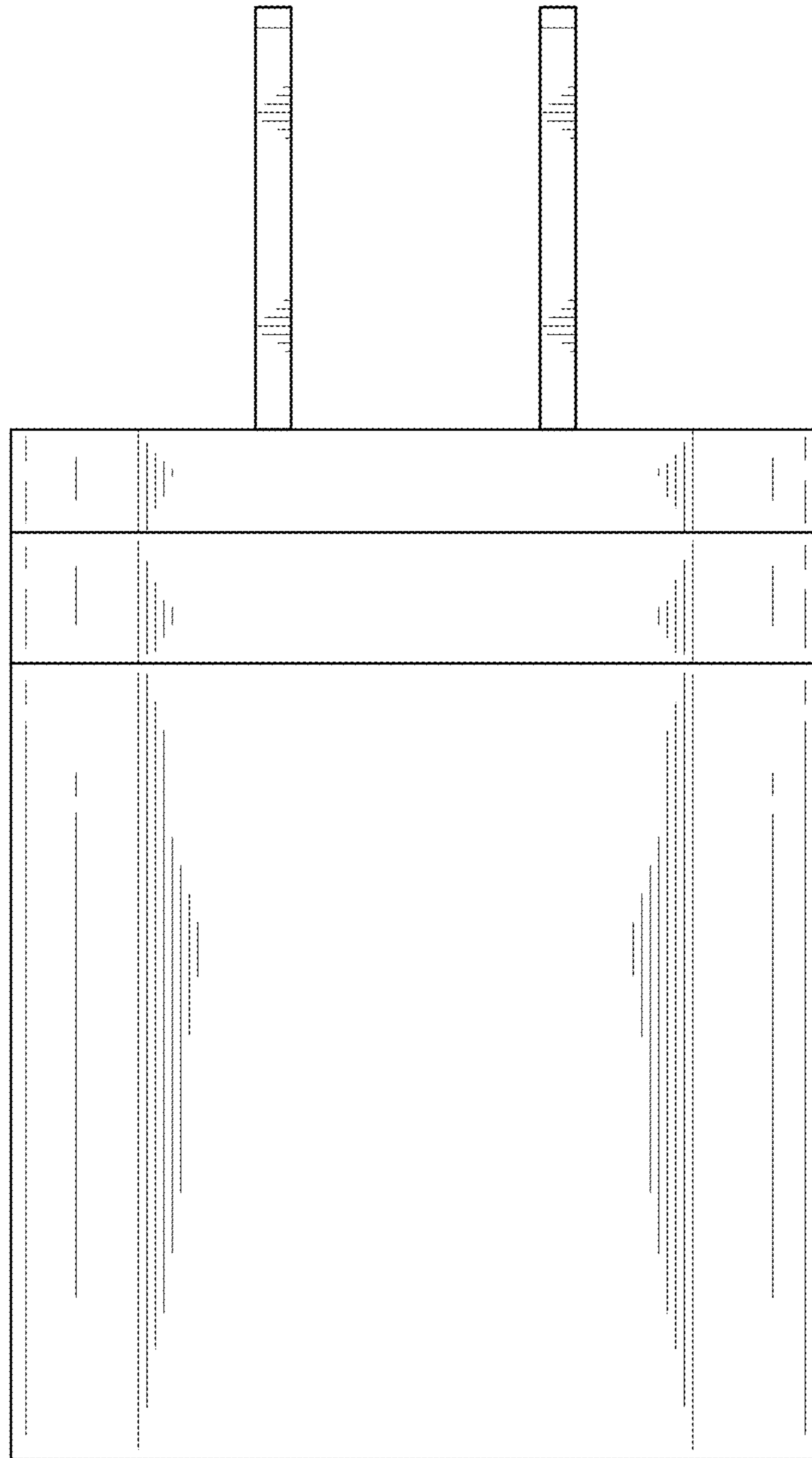


FIG. 5

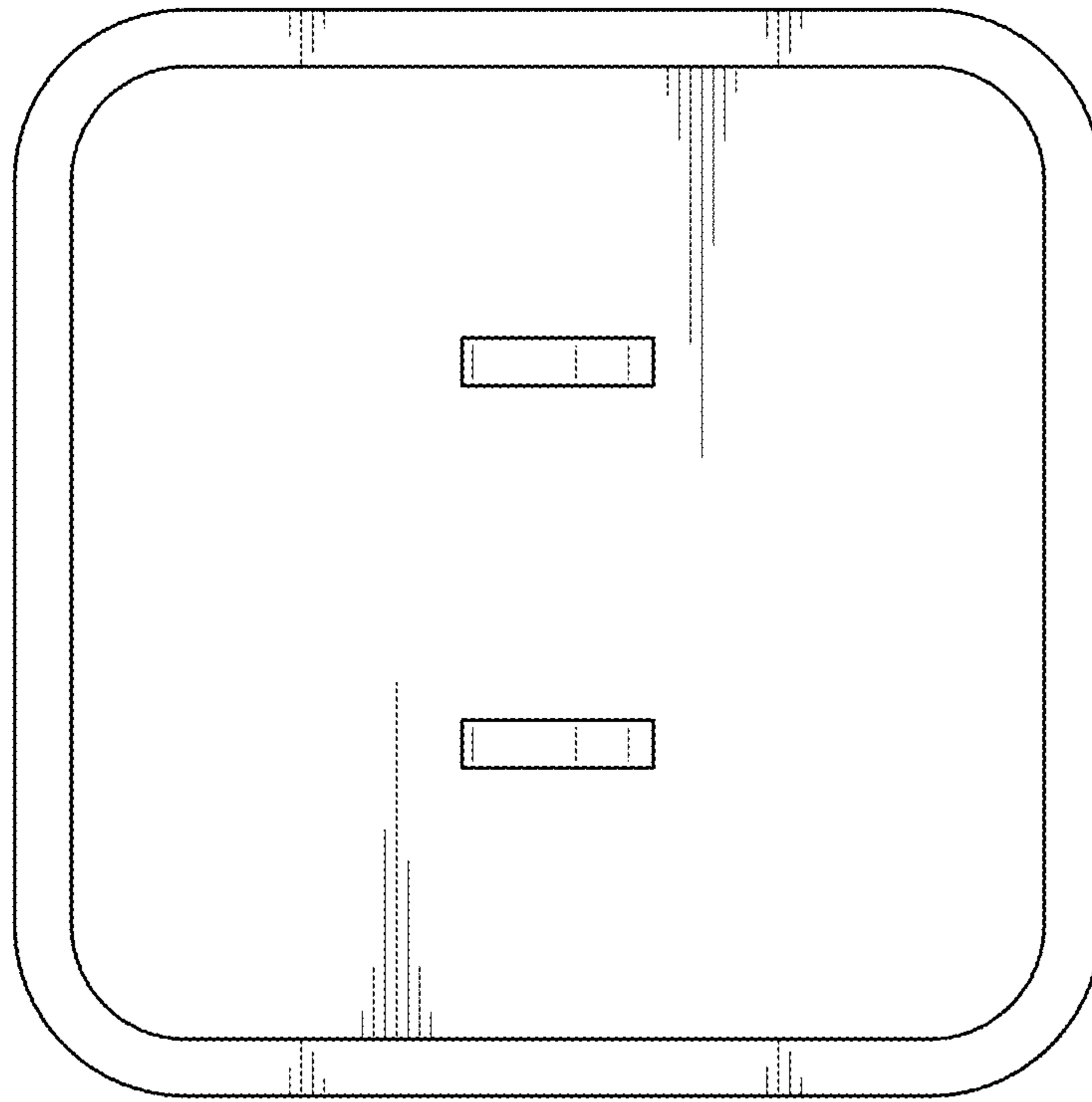


FIG. 6

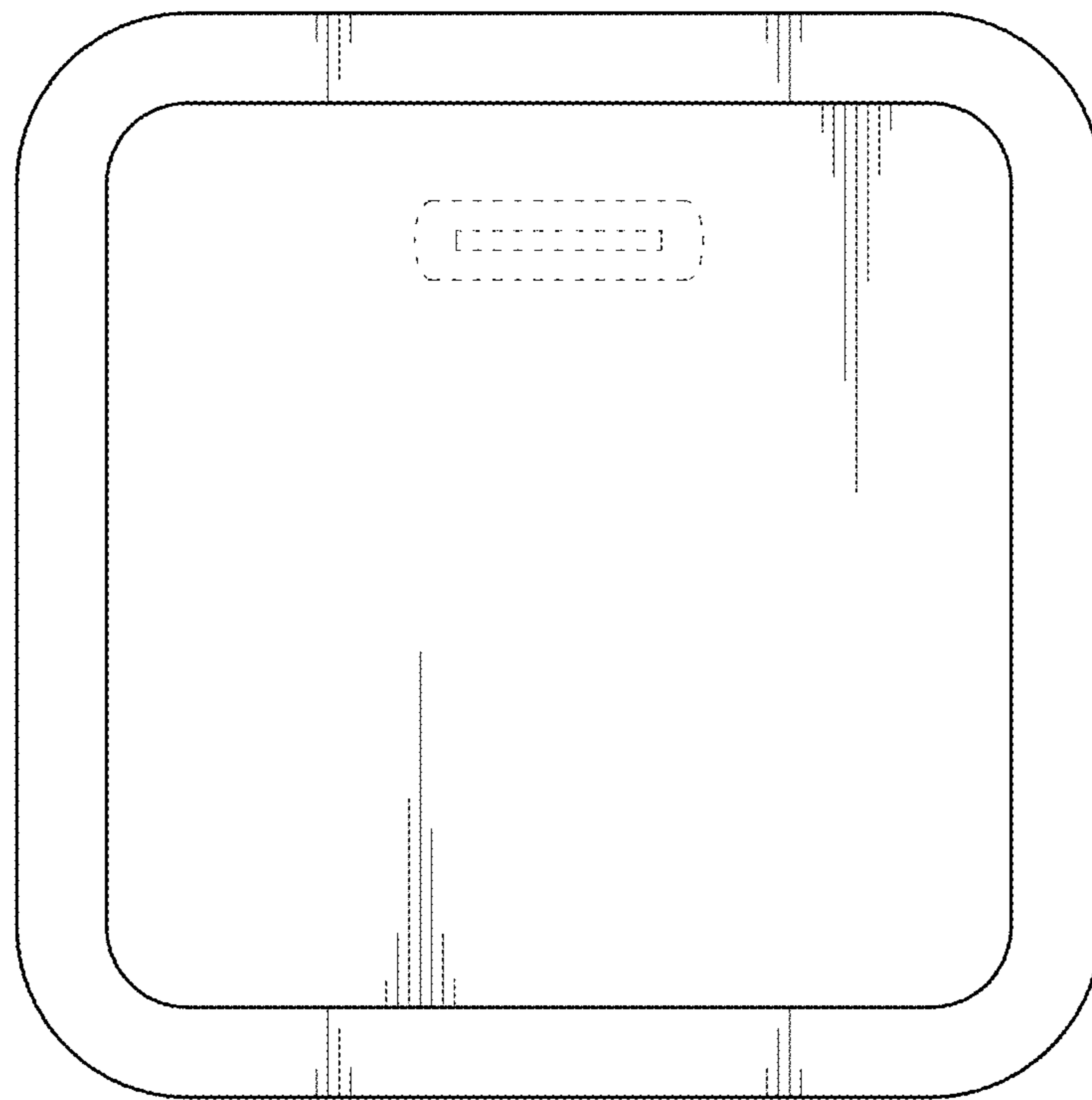


FIG. 7