



US00D892735S

(12) **United States Design Patent**
Zhang

(10) **Patent No.:** **US D892,735 S**

(45) **Date of Patent:** **** Aug. 11, 2020**

(54) **CHARGER**

(71) Applicant: **Deyong Zhang**, Shenzhen (CN)

(72) Inventor: **Deyong Zhang**, Shenzhen (CN)

(73) Assignee: **SHENZHEN YONGMINGSHANDER TECHNOLOGY & DEVELOPMENT CO., LTD.**, Shenzhen (CN)

(**) Term: **15 Years**

(21) Appl. No.: **29/719,472**

(22) Filed: **Jan. 4, 2020**

(51) **LOC (12) Cl.** **13-02**

(52) **U.S. Cl.**
USPC **D13/108**

(58) **Field of Classification Search**
USPC D13/103, 107-108, 110, 118, 184, 199,
D13/137.1-137.3, 138.1, 138.2
CPC H02J 7/02; H02J 7/0013; H02J 7/0021;
H02J 7/0022; H02J 7/0026; H02J 7/0027;
H02J 7/0042; H02J 7/0044; H02J 7/0045;
H02J 7/0003; H01M 10/44; H01M
10/441; H01R 13/648; H01R 13/652;
H01R 13/6675

See application file for complete search history.

(56) **References Cited**

U.S. PATENT DOCUMENTS

D431,020 S	9/2000	Harjunpaa et al.	
D587,193 S	2/2009	McGinley et al.	
D595,224 S *	6/2009	Seil	D13/108
D621,348 S	8/2010	Nylen	
D638,357 S *	5/2011	Sasada	D13/110
D655,244 S	3/2012	Au	
D657,743 S *	4/2012	Andre	D13/110
D663,267 S *	7/2012	Kim	D13/110
D663,687 S	7/2012	Liu	
D676,382 S *	2/2013	McSweyn	D13/108

D677,221 S *	3/2013	McSweyn	D13/108
D683,310 S *	5/2013	McSweyn	D13/108
D694,183 S *	11/2013	Matsuoka	D13/110
D694,185 S *	11/2013	Matsuoka	D13/110
D711,824 S *	8/2014	Matsuoka	D13/110
D729,160 S	5/2015	Levy et al.	
D730,823 S *	6/2015	Leung	D13/108
D731,420 S	6/2015	Croft et al.	
D731,970 S *	6/2015	Kamath	D13/110
D734,259 S *	7/2015	Cepress	D13/110
D735,130 S	7/2015	Huang	
D741,796 S	10/2015	Robinson	
D756,915 S *	5/2016	Yang	D13/108
D756,916 S *	5/2016	Yang	D13/108
D790,458 S	6/2017	He	
D790,464 S *	6/2017	He	D13/110

(Continued)

Primary Examiner — Rosemary K Tarcza

(74) *Attorney, Agent, or Firm* — Law Offices of Steven W. Weinrieb

(57) **CLAIM**

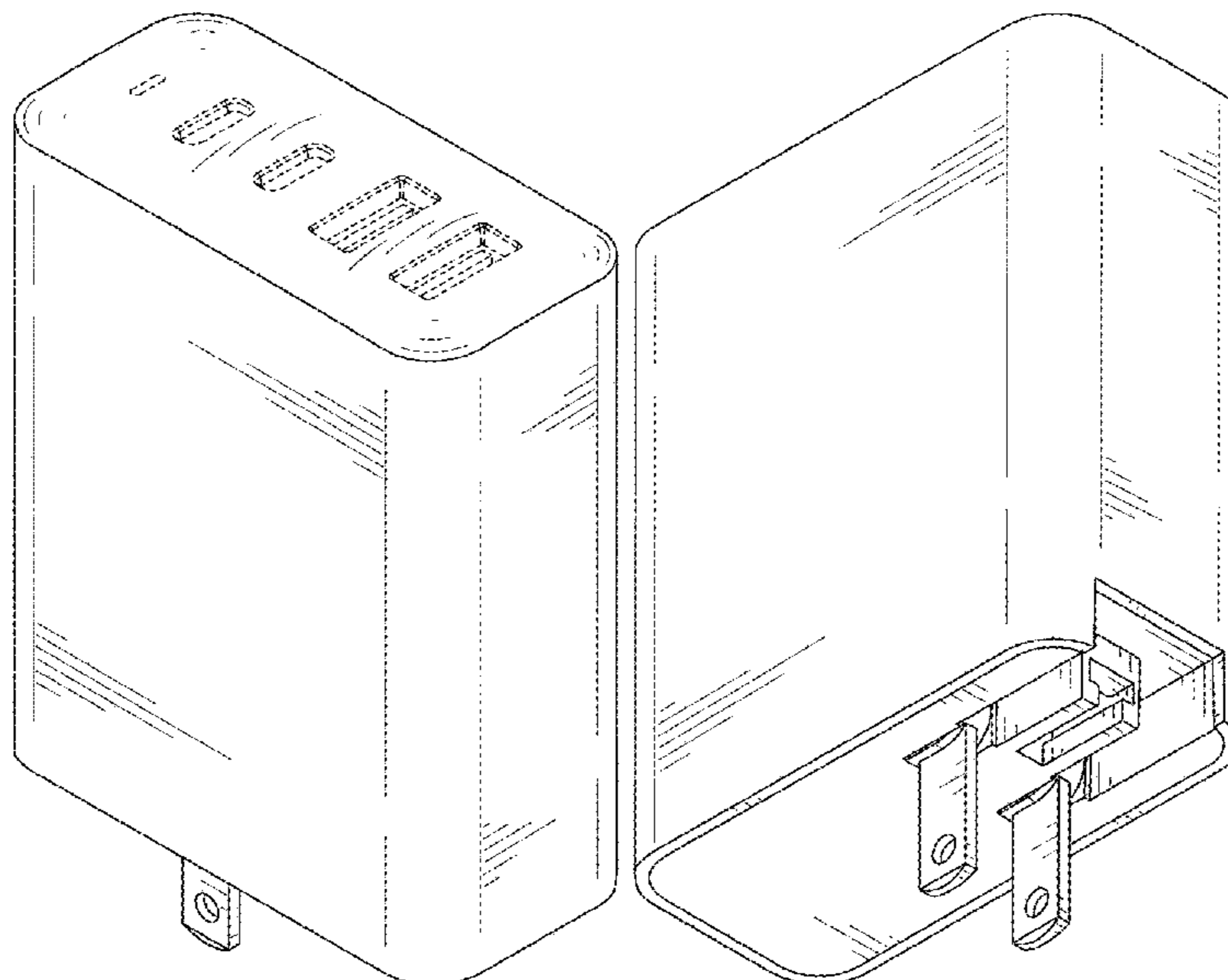
The ornamental design for a charger, as shown and described.

DESCRIPTION

FIG. 1 is a front, right side, top perspective view of a charger showing my new design;
FIG. 2 is a rear, left side, bottom perspective view thereof;
FIG. 3 is a front elevational view thereof;
FIG. 4 is a rear elevational view thereof;
FIG. 5 is a left side elevational view thereof;
FIG. 6 is a right side elevational view thereof;
FIG. 7 is a top plan view thereof;
FIG. 8 is a bottom plan view thereof; and,
FIG. 9 is a perspective view of a charger, shown in a possible environment of use.

The broken lines depict portions of the charger that form no part of the claimed design.

1 Claim, 9 Drawing Sheets



(56)

References Cited

U.S. PATENT DOCUMENTS

D796,432 S * 9/2017 Liu D13/107
D799,422 S 10/2017 Chen
D806,021 S 12/2017 Xu
D832,780 S 11/2018 Lewis
10,297,965 B1 * 5/2019 Yang H01R 31/06
D866,471 S * 11/2019 Xu D13/137.2
D867,285 S * 11/2019 Akana D13/110
D867,287 S * 11/2019 Akana D13/110
2015/0311656 A1 * 10/2015 Lai H01R 31/065
439/620.22
2019/0081431 A1 * 3/2019 Heyman H01R 13/504
2019/0094935 A1 * 3/2019 Ng G06F 1/266

* cited by examiner

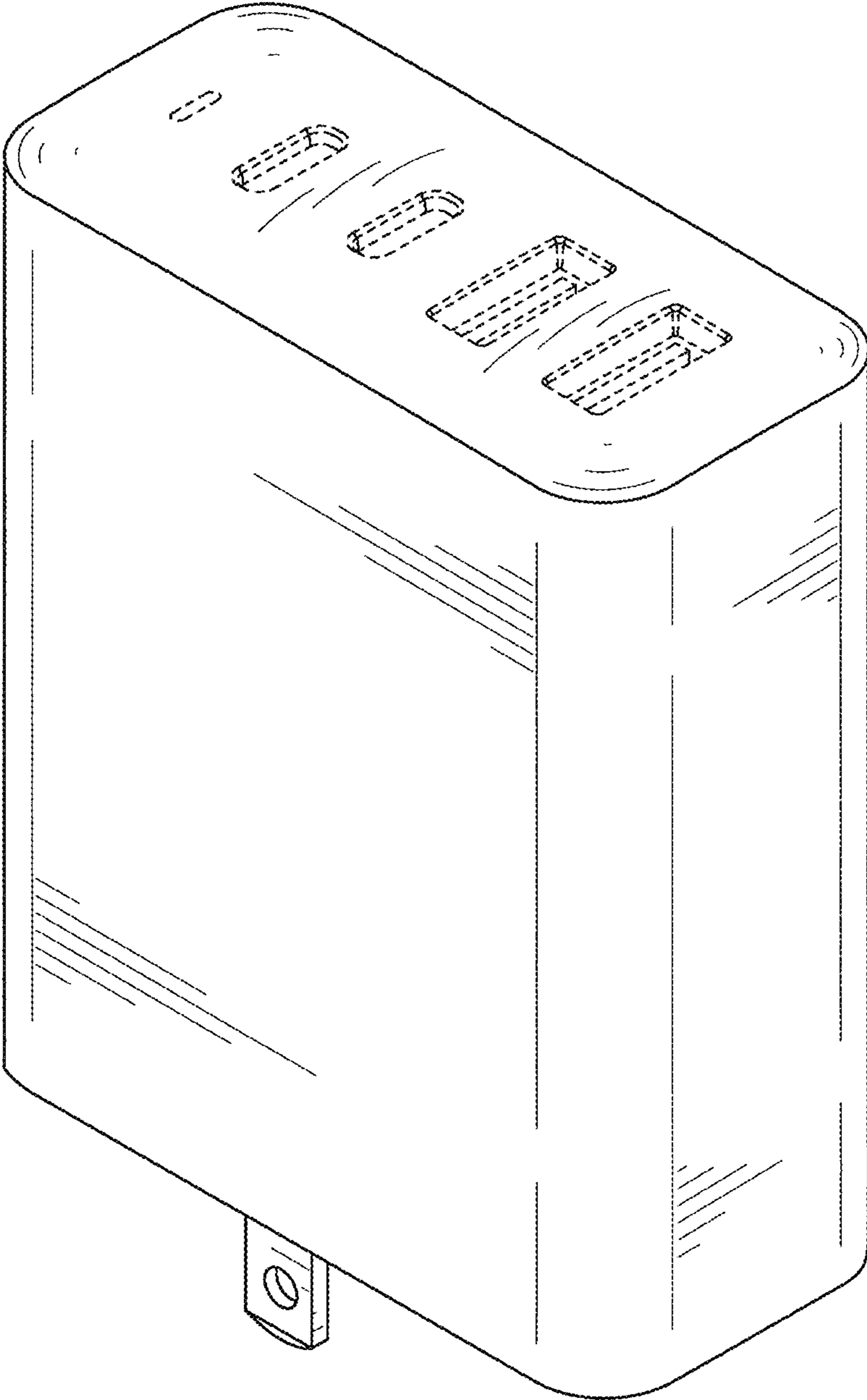


FIG. 1

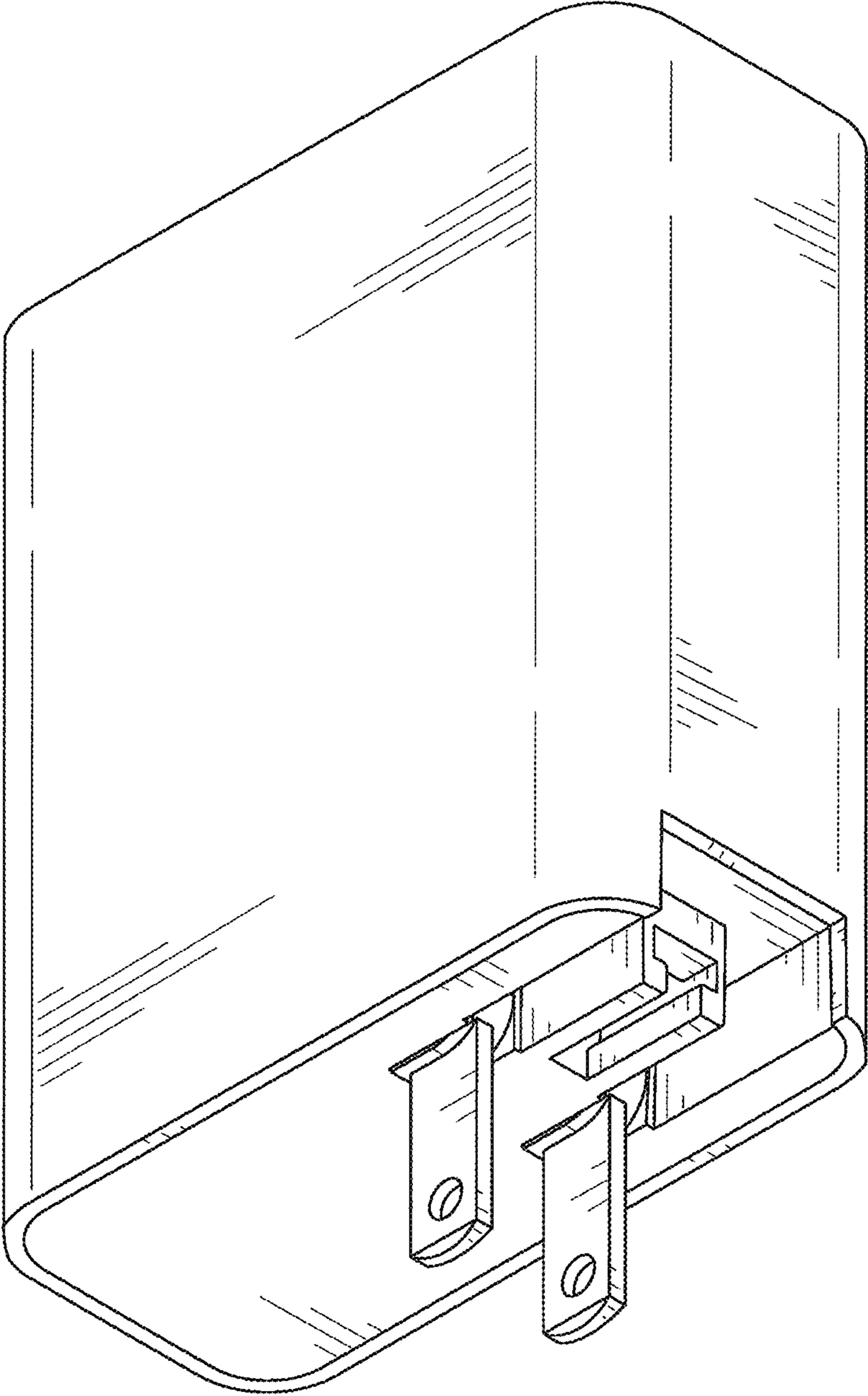


FIG. 2

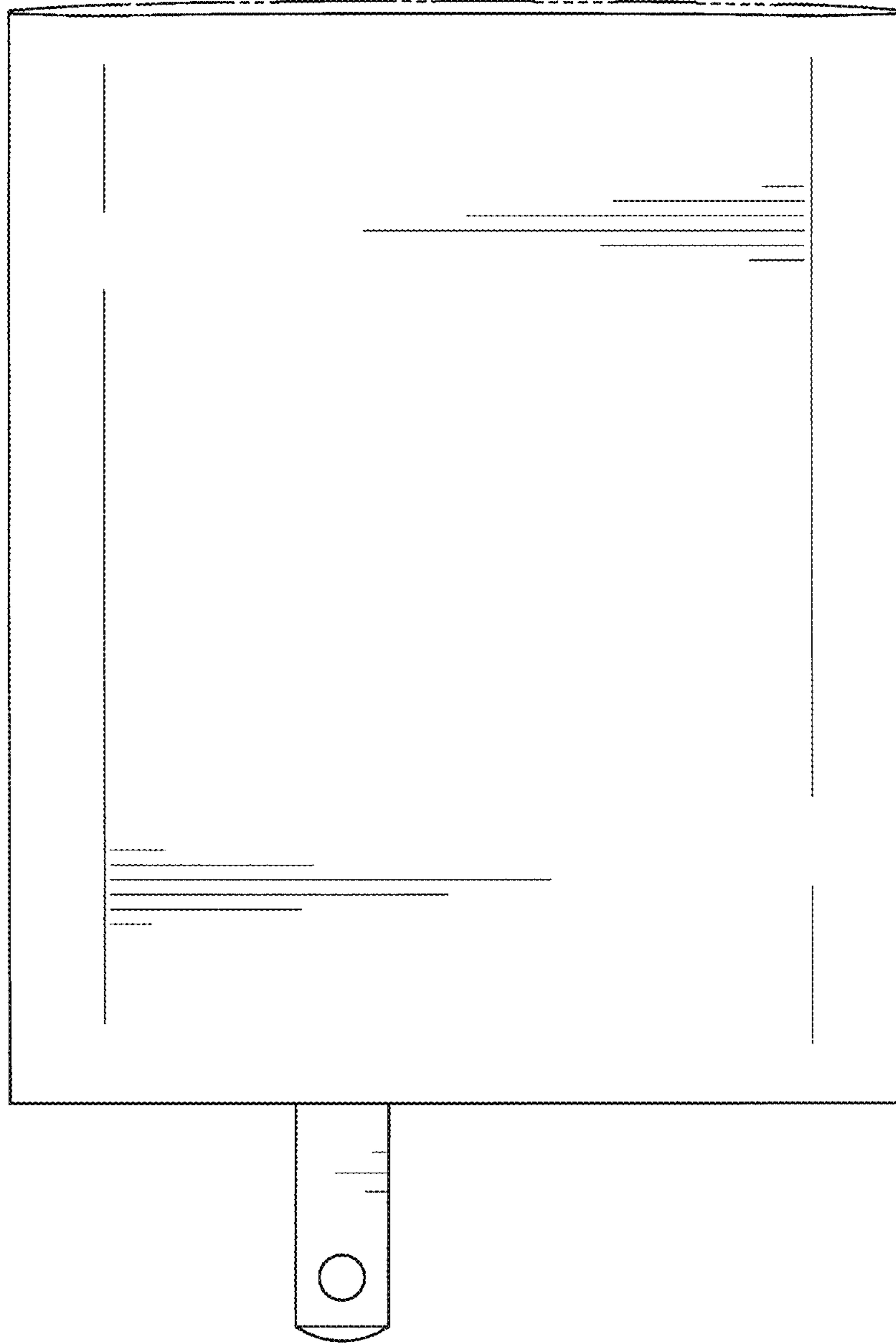


FIG. 3

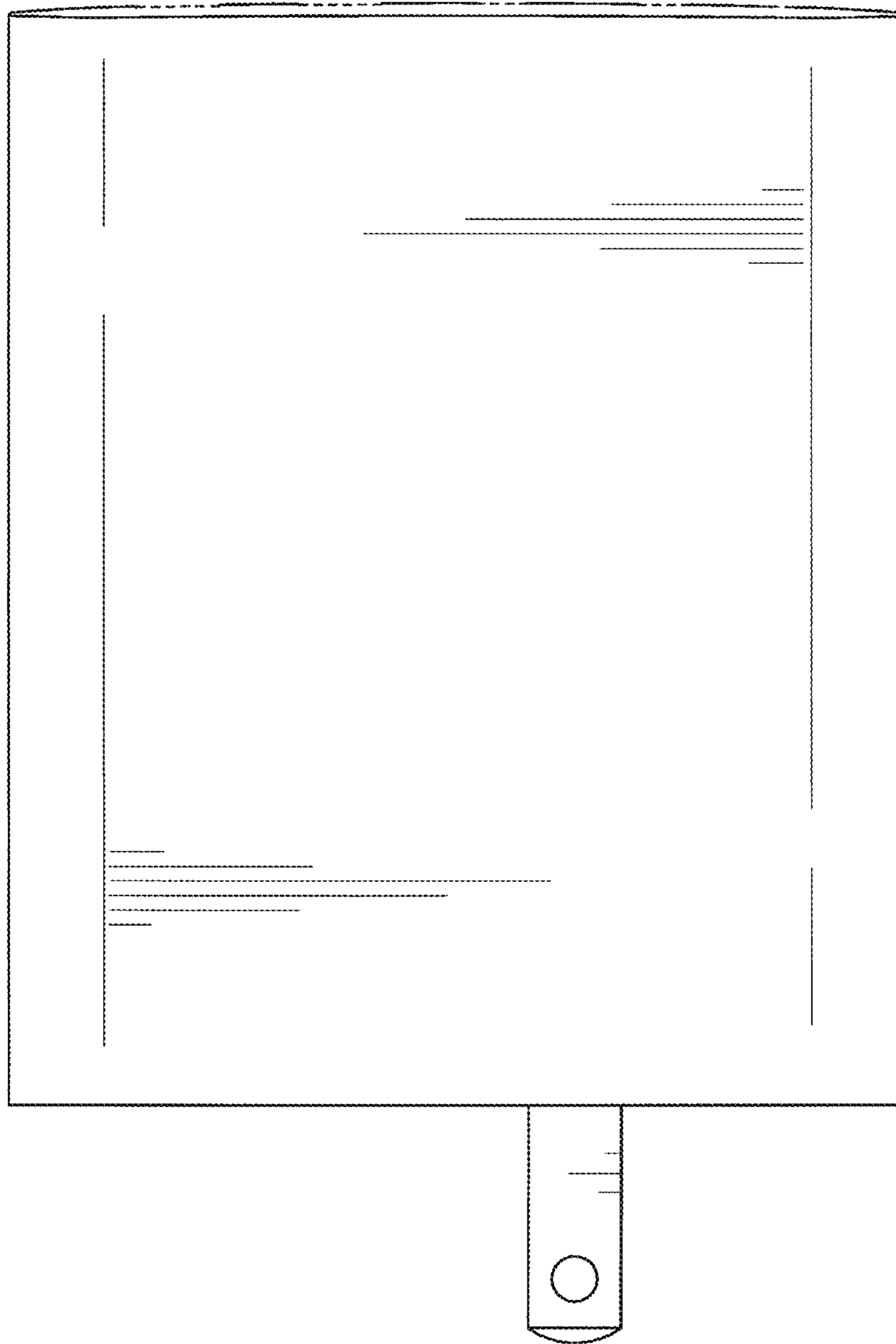


FIG. 4

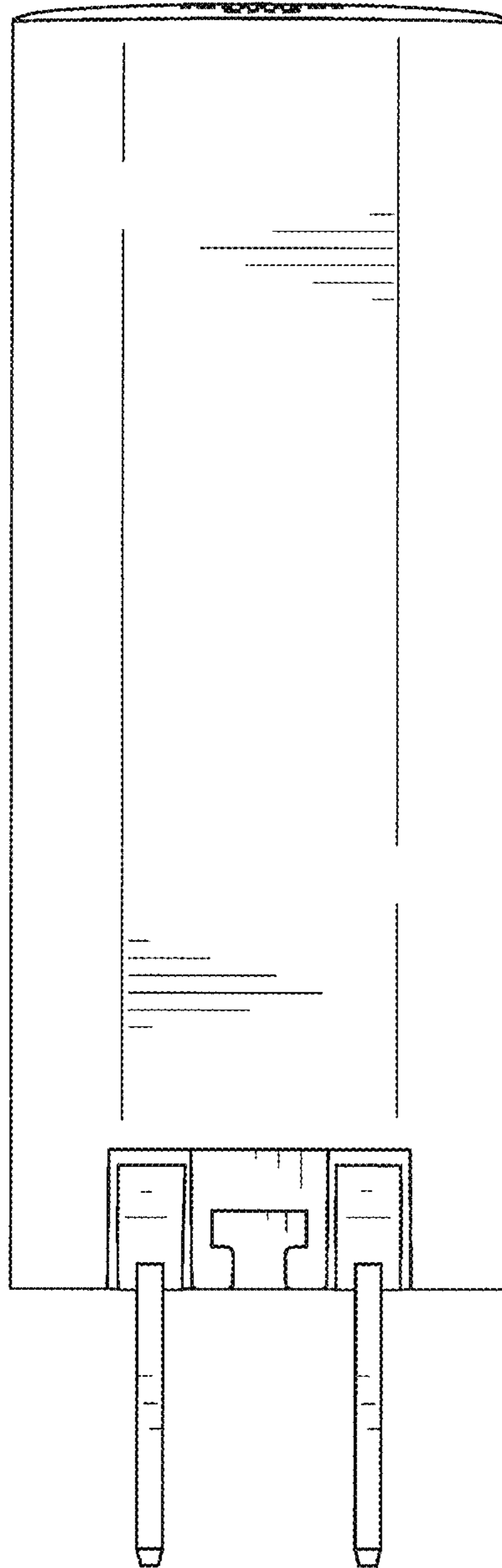


FIG. 5

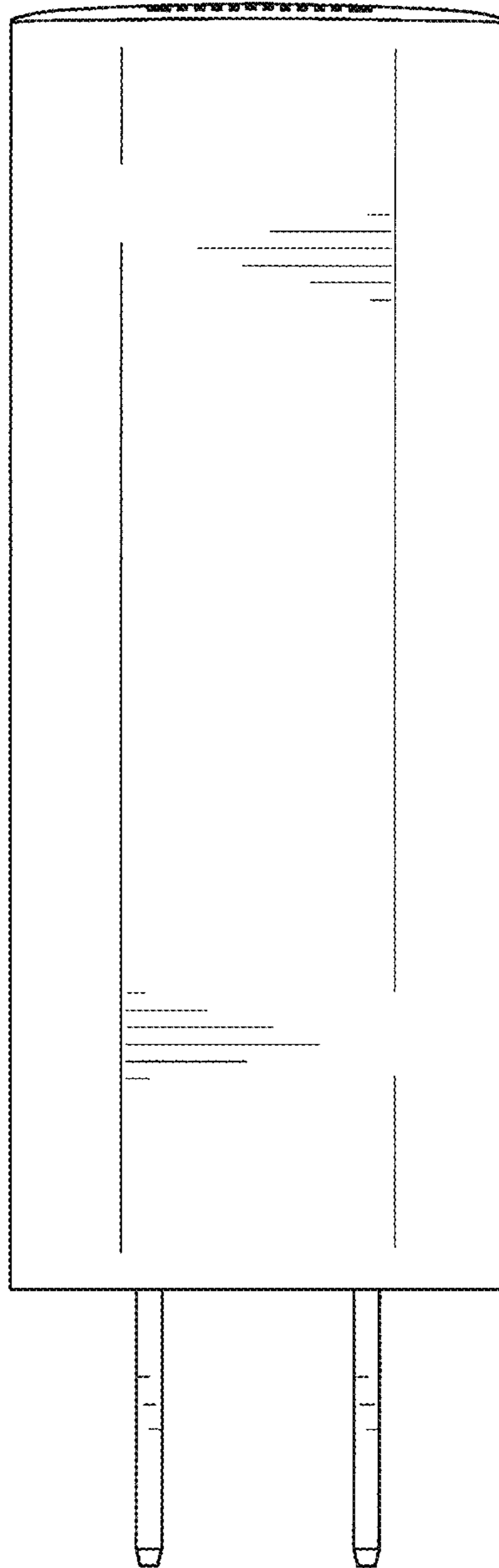


FIG. 6

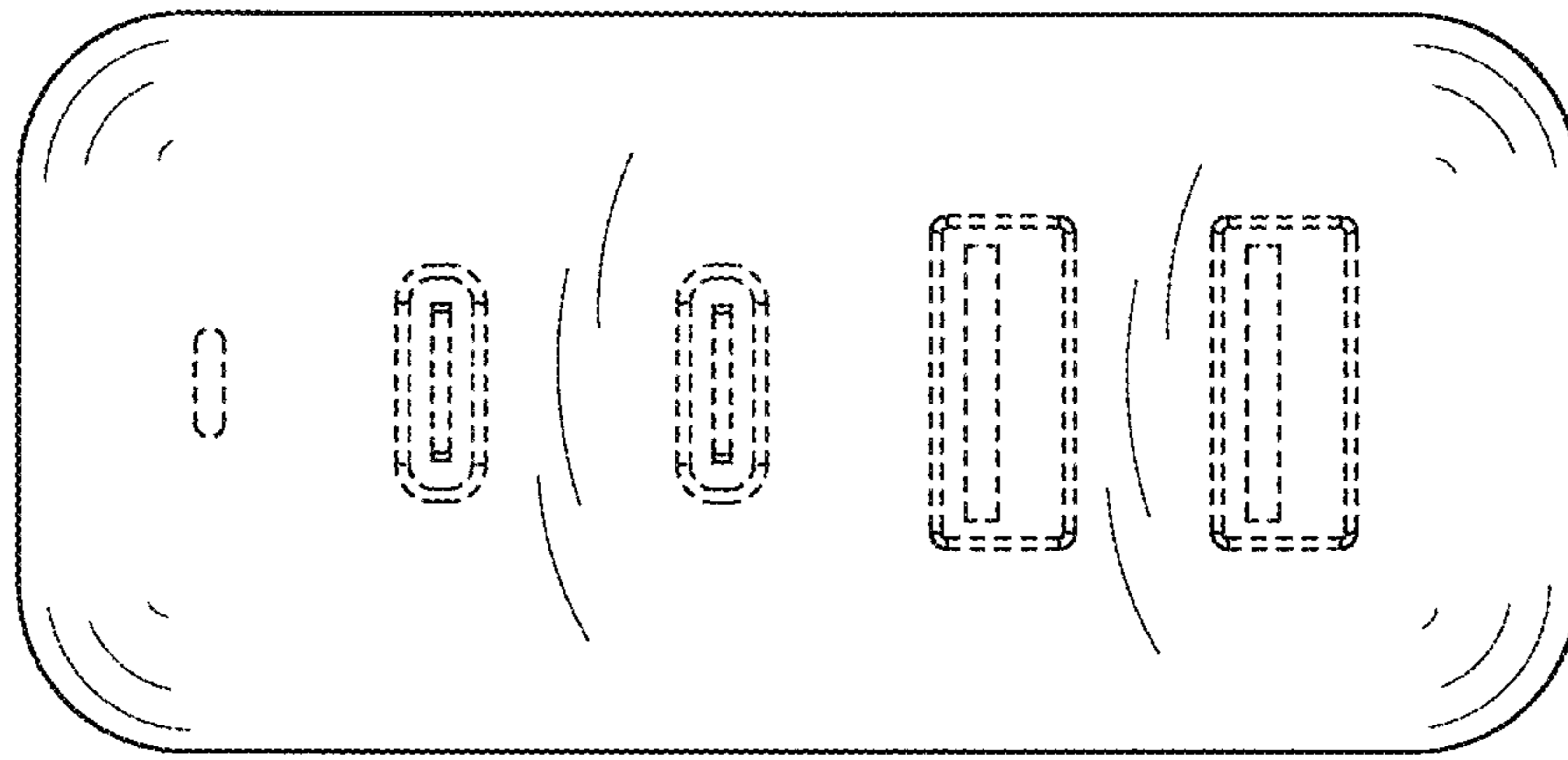


FIG. 7

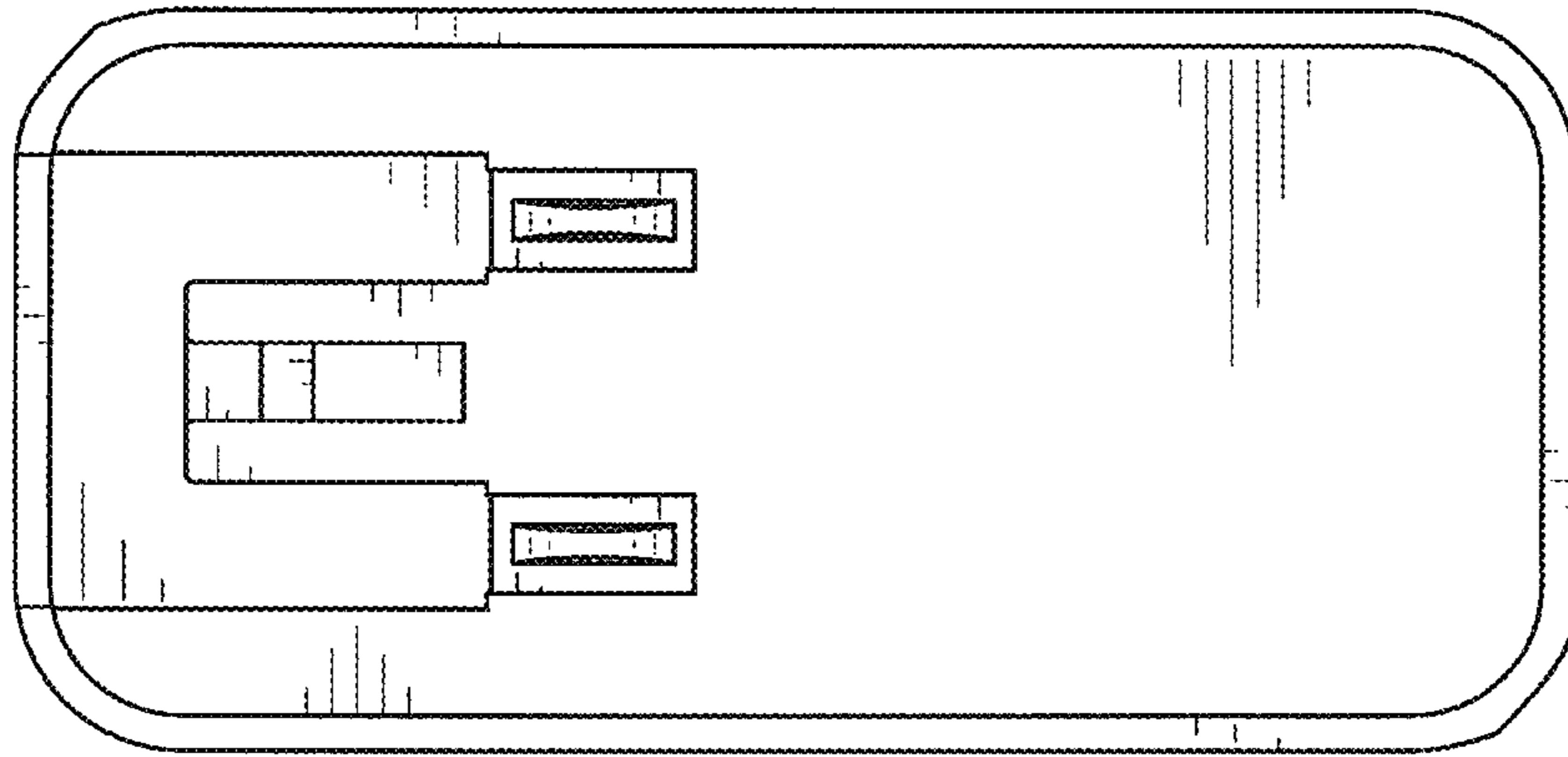


FIG. 8

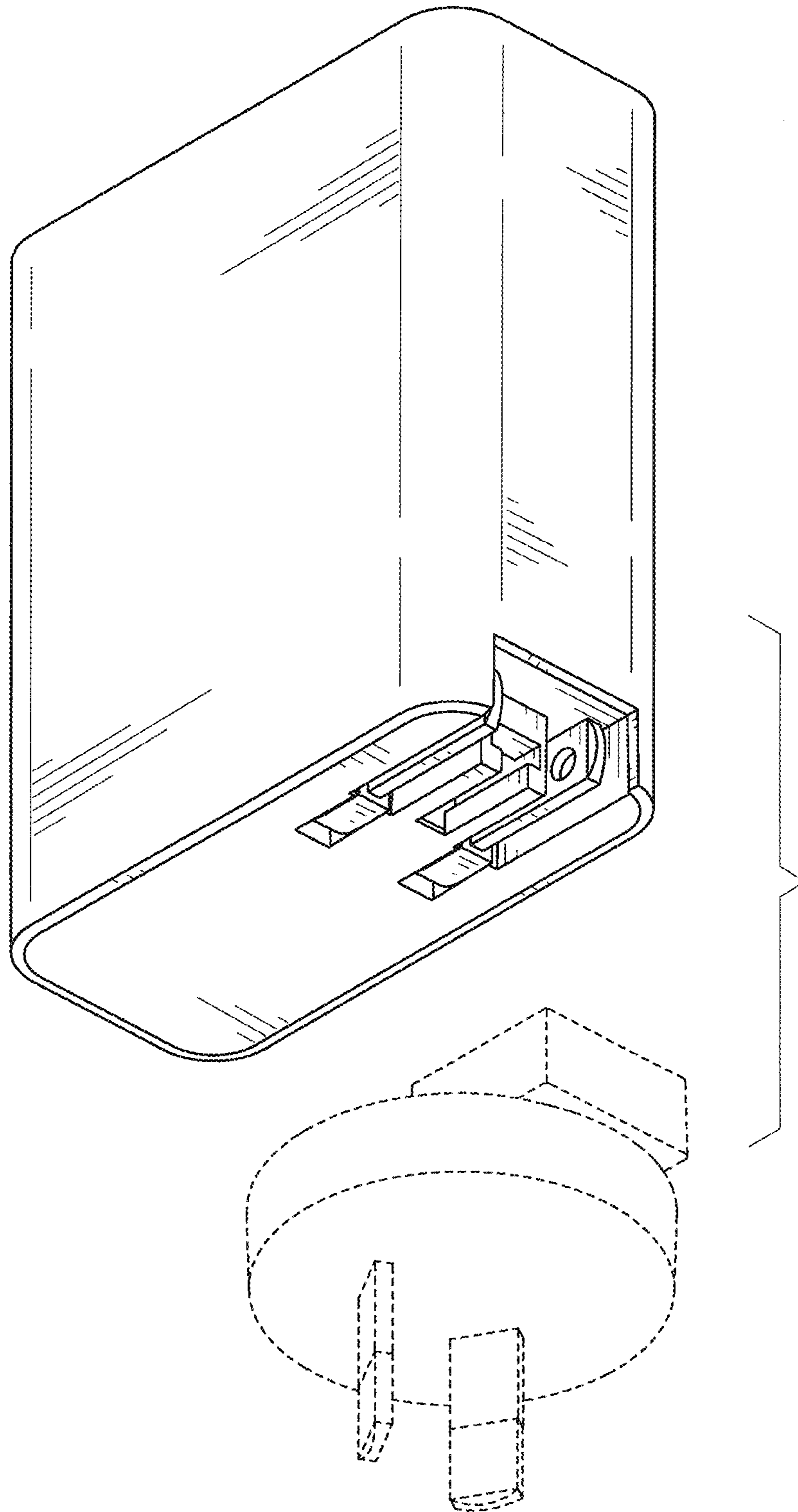


FIG. 9