



US00D892733S

(12) **United States Design Patent**
Koshel

(10) **Patent No.:** **US D892,733 S**

(45) **Date of Patent:** **** Aug. 11, 2020**

(54) **WIRELESS CHARGER**

(71) Applicant: **Oleksii Koshel**, Kyiv (UA)

(72) Inventor: **Oleksii Koshel**, Kyiv (UA)

(**) Term: **15 Years**

(21) Appl. No.: **29/669,557**

(22) Filed: **Nov. 9, 2018**

(51) **LOC (12) Cl.** **13-02**

(52) **U.S. Cl.**
USPC **D13/108**

(58) **Field of Classification Search**

USPC D13/103-110, 118, 119, 184, 199;
D14/251, 253, 432, 434
CPC Y02E 60/10; Y02E 60/12; Y02E 60/122;
Y02E 60/124; Y02E 60/50; H01M 2/02;
H01M 2/022; H01M 2/0202; H01M
2/0207; H01M 2/0212; H01M 2/1061;
H01M 2/1022; H01M 2/1055; H01M
2/1066; H01M 2/105; H01M 2/20; H01M
2/202; H01M 2/204; H01M 2/206; H01M
10/44; H01M 10/46; H01M 10/465;
H01M 10/482; H01M 2200/30; H01M
2250/30; H01M 2250/40; H02J 7/00;
H02J 7/0003; H02J 7/0011; H02J 7/0013;
H02J 7/0054; H02J 7/0055; H02J 7/0057;
H02J 2007/0062

See application file for complete search history.

(56) **References Cited**

U.S. PATENT DOCUMENTS

D577,665 S * 9/2008 Kim D13/107
D639,810 S * 6/2011 Hwang D13/107
D642,519 S * 8/2011 Woo D13/108
D642,520 S * 8/2011 Chun D13/108
D668,605 S * 10/2012 Park D13/108
D685,322 S * 7/2013 Szymanski D13/108
D703,133 S * 4/2014 Ireland D13/108

D705,158 S * 5/2014 Gengler D13/107
D749,508 S * 2/2016 Ireland D13/108
D761,201 S * 7/2016 Ireland D13/108
D762,569 S * 8/2016 Arends D13/107
D771,564 S * 11/2016 Shin D13/108
D772,812 S * 11/2016 Choe D13/108
D774,453 S * 12/2016 Yoneta D13/108
D782,411 S * 3/2017 Mischke D13/108
D788,699 S * 6/2017 Hoehn D13/107
D791,072 S * 7/2017 Hoehn D13/107
D797,668 S * 9/2017 Park D13/108
D801,922 S * 11/2017 Morenstein D13/108
D803,775 S * 11/2017 Park D13/103
D803,779 S * 11/2017 Jung D13/107
D806,024 S * 12/2017 Swen D13/108
D812,564 S * 3/2018 Feng D13/108
D819,563 S * 6/2018 Wei D13/108
D832,783 S * 11/2018 Leabman D13/108
D835,079 S * 12/2018 Yun D14/224
D840,930 S * 2/2019 Lu D13/108
D841,578 S * 2/2019 Kim D13/108
D845,896 S * 4/2019 Hu D13/108

(Continued)

Primary Examiner — Rosemary K Tarcza

Assistant Examiner — Christy M Nemeth

(74) *Attorney, Agent, or Firm* — Legends Law Group,
PLLC; Stephen H. Bean, Esq.

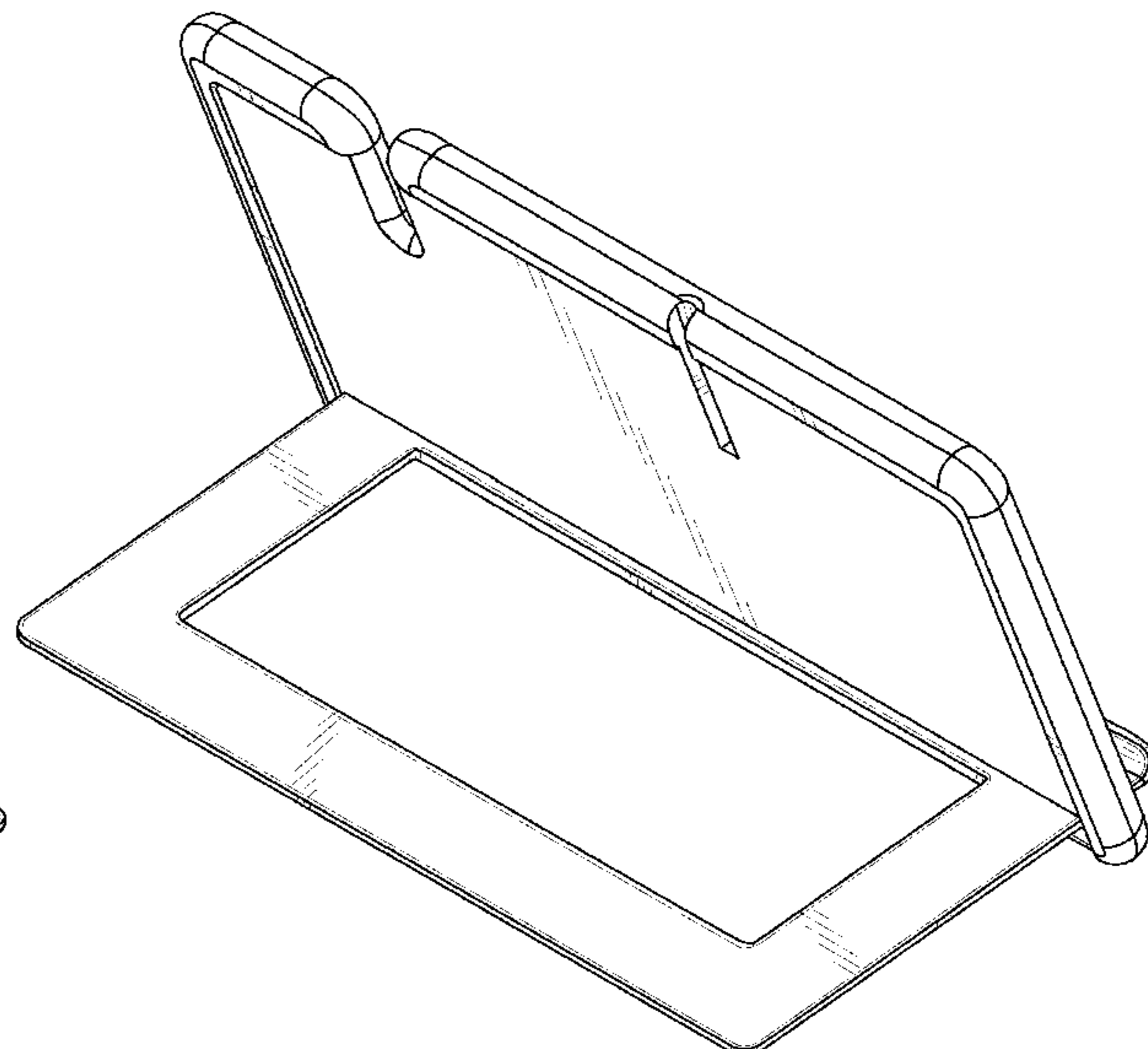
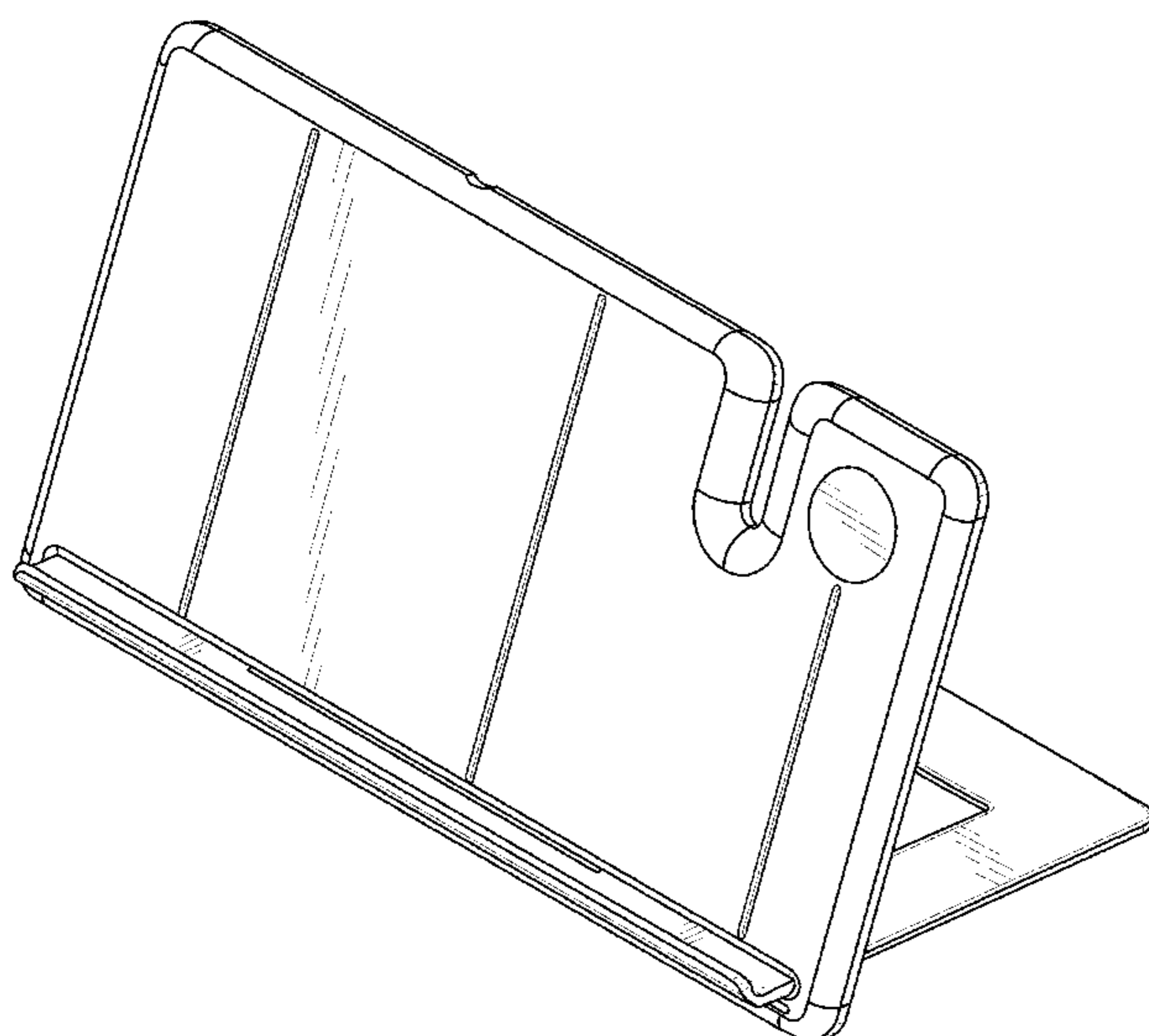
(57) **CLAIM**

I claim the ornamental design for a wireless charger, as shown and described.

DESCRIPTION

FIG. 1 is a front perspective view of a wireless charger;
FIG. 2 is a front view thereof;
FIG. 3 is a rear view thereof;
FIG. 4 is a left-side view thereof;
FIG. 5 is a right-side view thereof;
FIG. 6 is a top plan view thereof;
FIG. 7 is a bottom plan view thereof; and,
FIG. 8 is a rear perspective view thereof.

1 Claim, 5 Drawing Sheets



(56)

References Cited

U.S. PATENT DOCUMENTS

D847,739 S *	5/2019	Yun	D13/108
D847,740 S *	5/2019	Yamanouchi	D13/108
D849,682 S *	5/2019	Dou	D13/108
D851,036 S *	6/2019	Saangloef	D13/108
D851,587 S *	6/2019	Schmidt	D13/108
D857,019 S *	8/2019	Mecchella	D14/434
D857,625 S *	8/2019	Cao	D13/108
D859,308 S *	9/2019	Connell	D13/108
D861,598 S *	10/2019	Xiao	D13/108
D861,599 S *	10/2019	Choi	D13/108
D861,601 S *	10/2019	Lin	D13/108

* cited by examiner

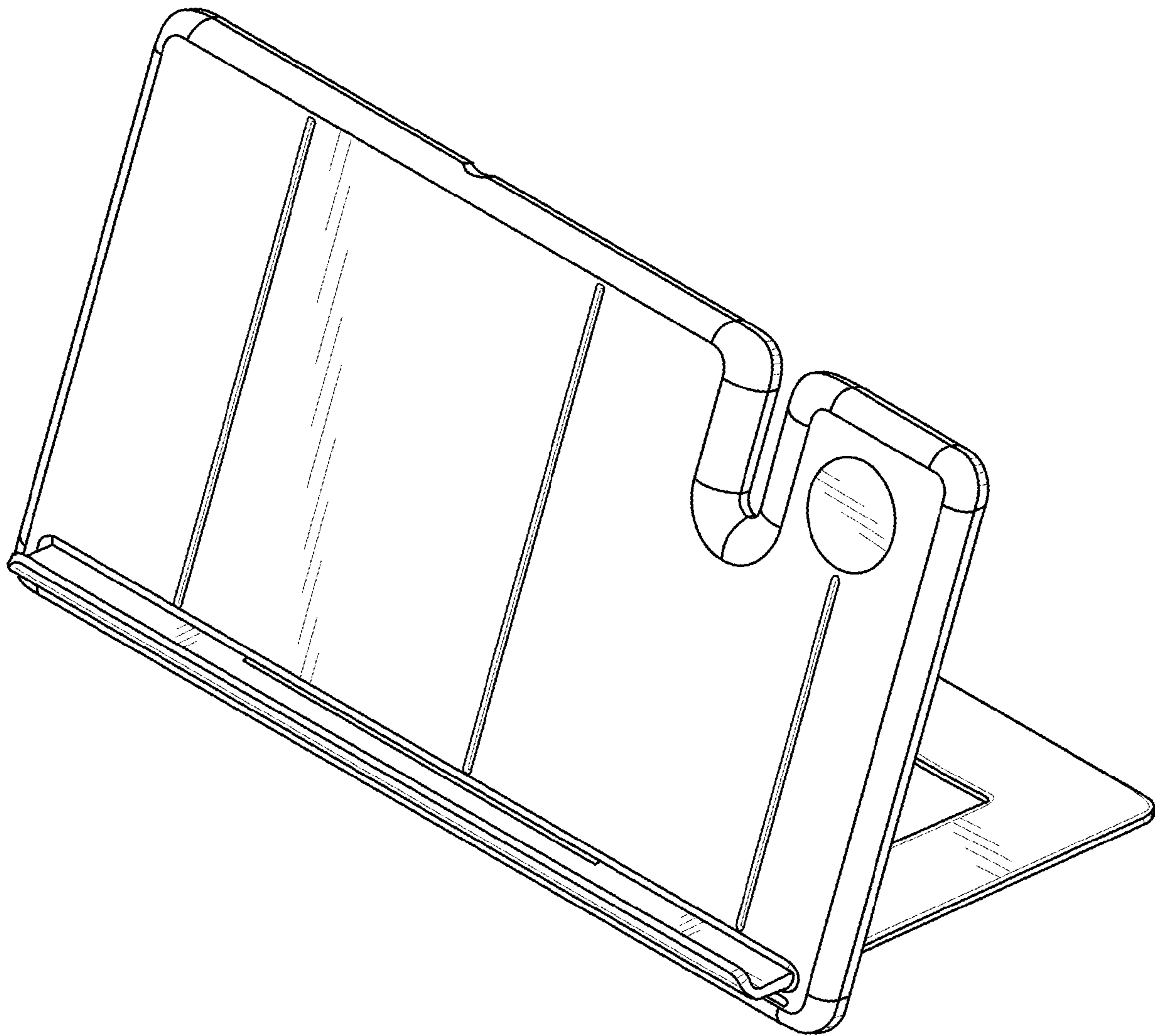


FIG. 1

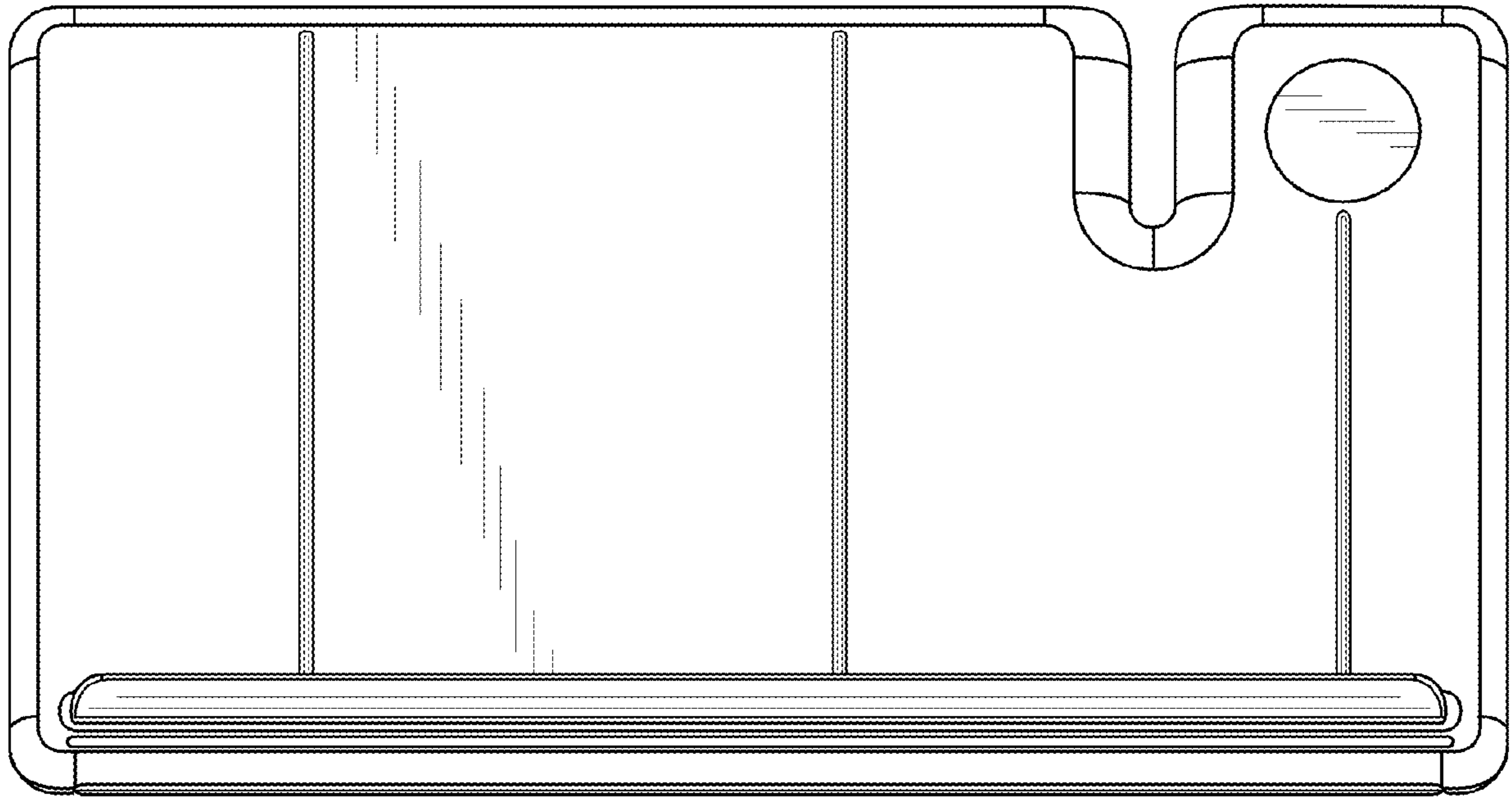


FIG. 2

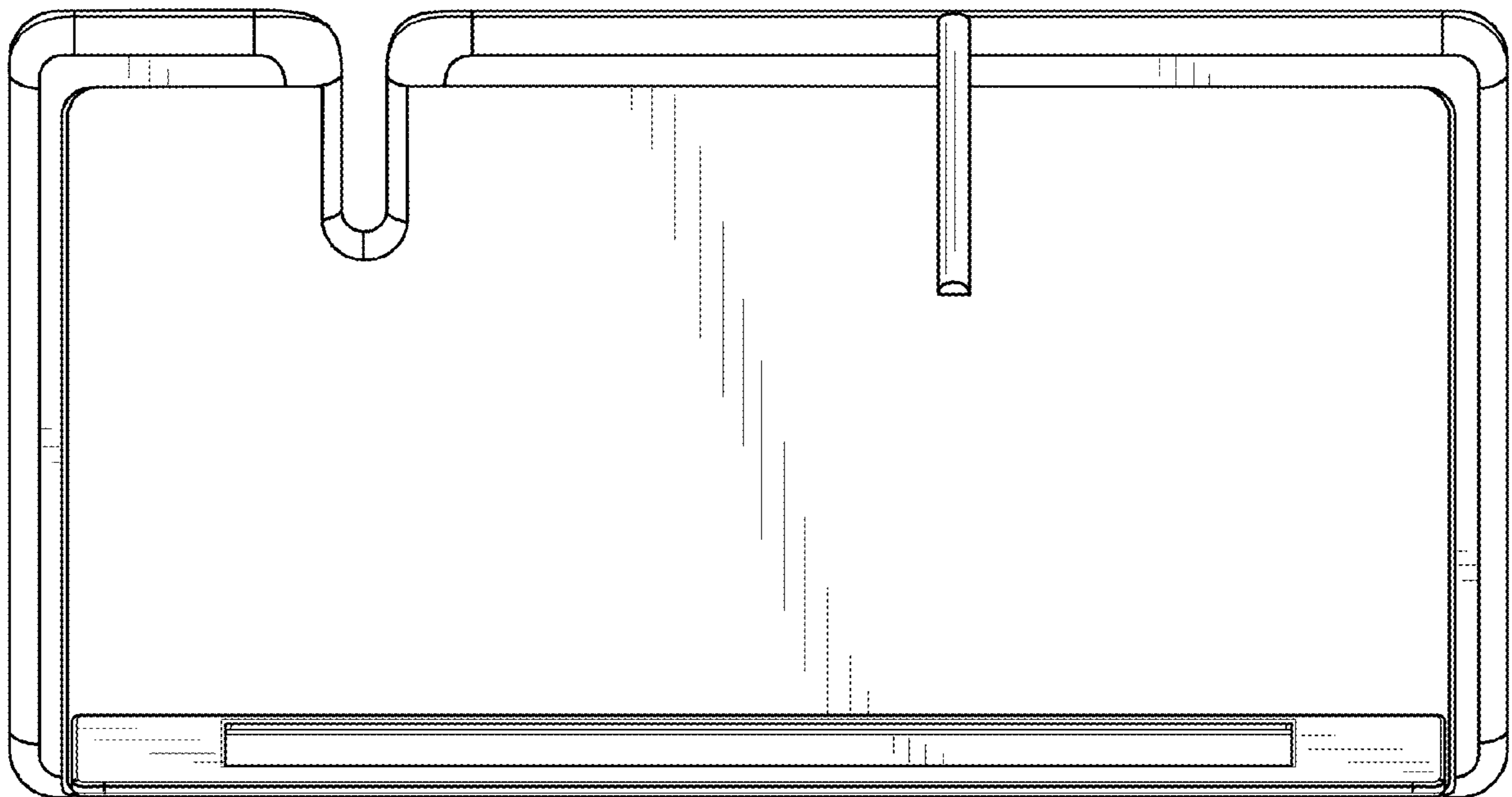


FIG. 3

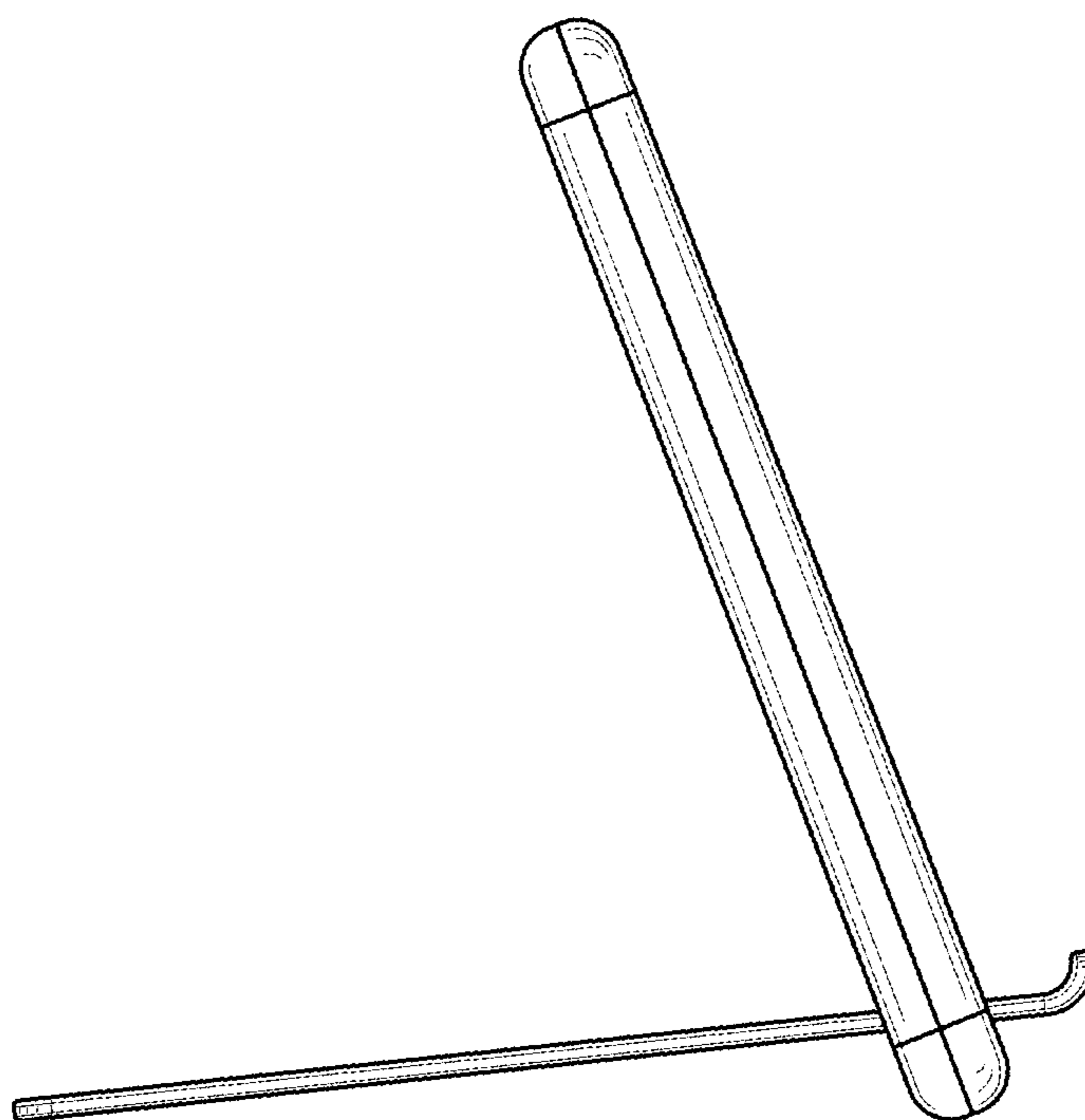


FIG. 4

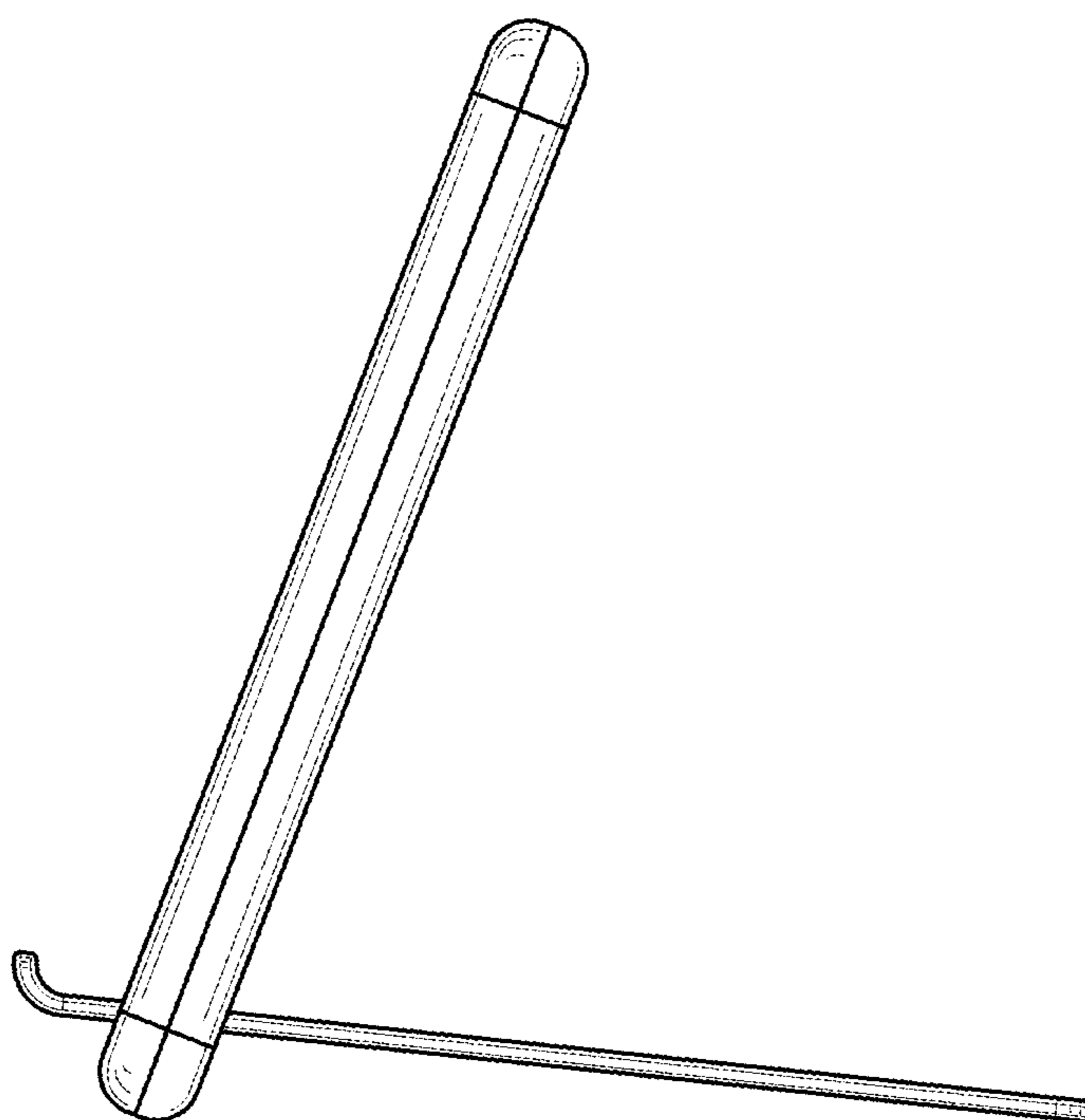


FIG. 5

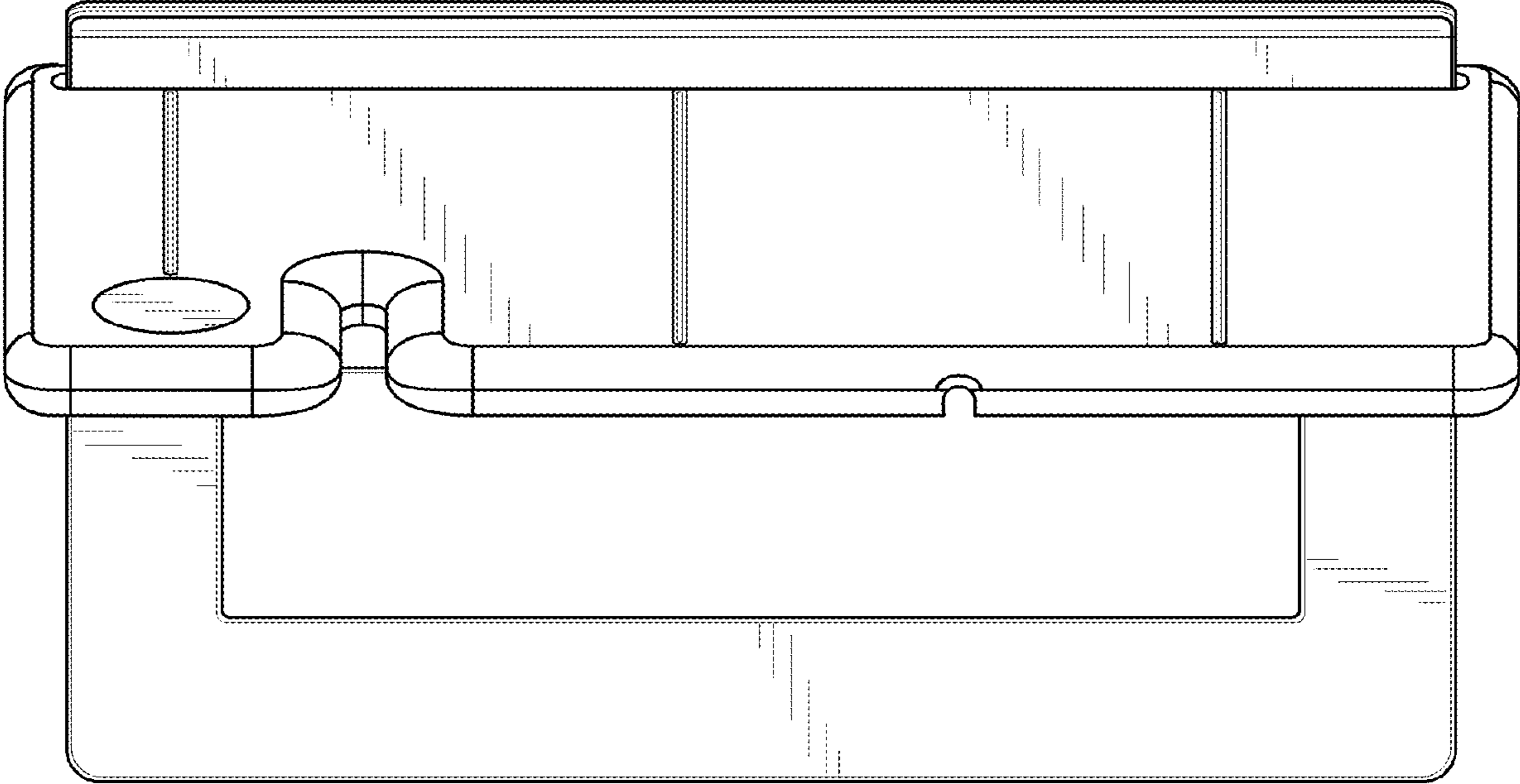


FIG. 6

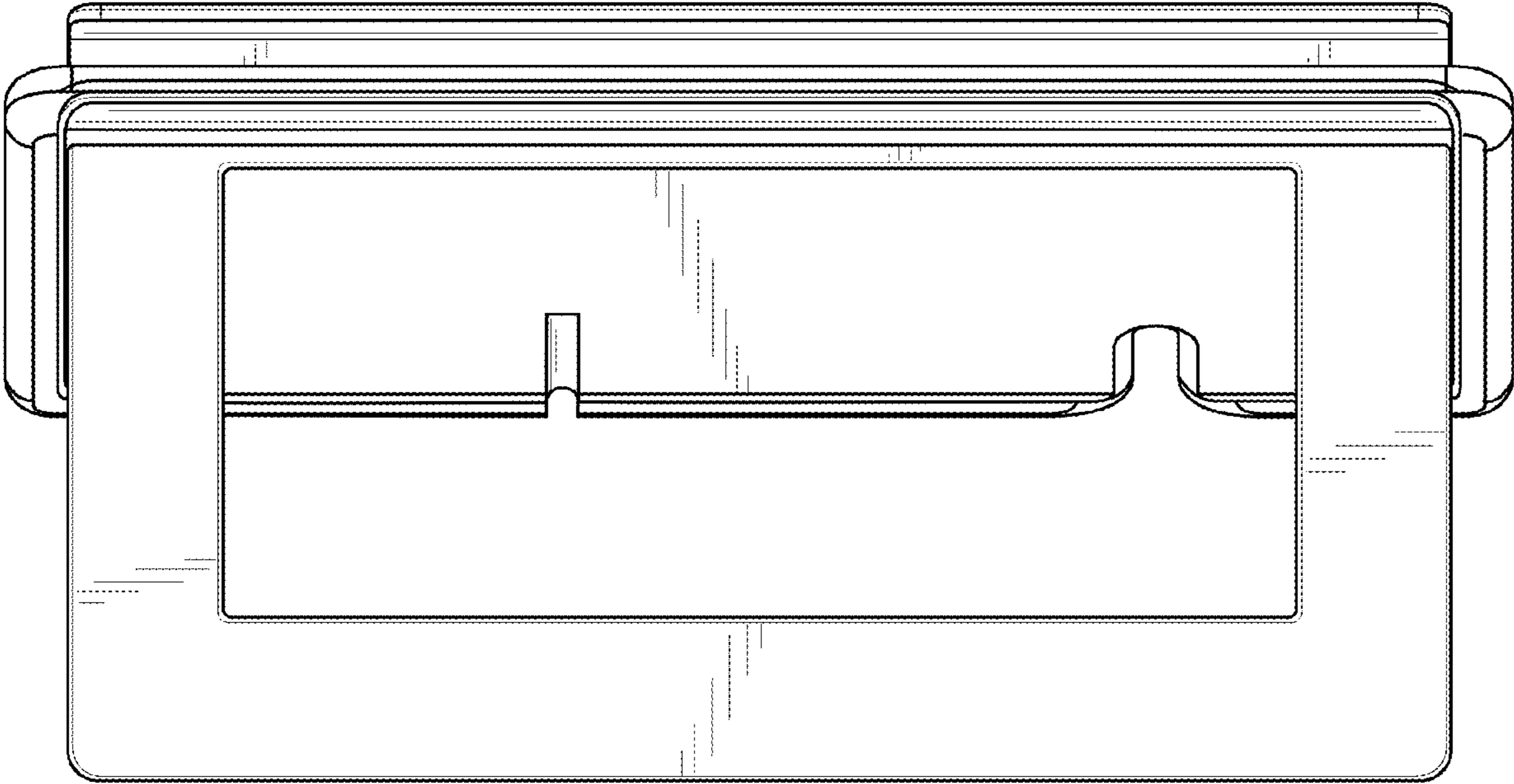


FIG. 7

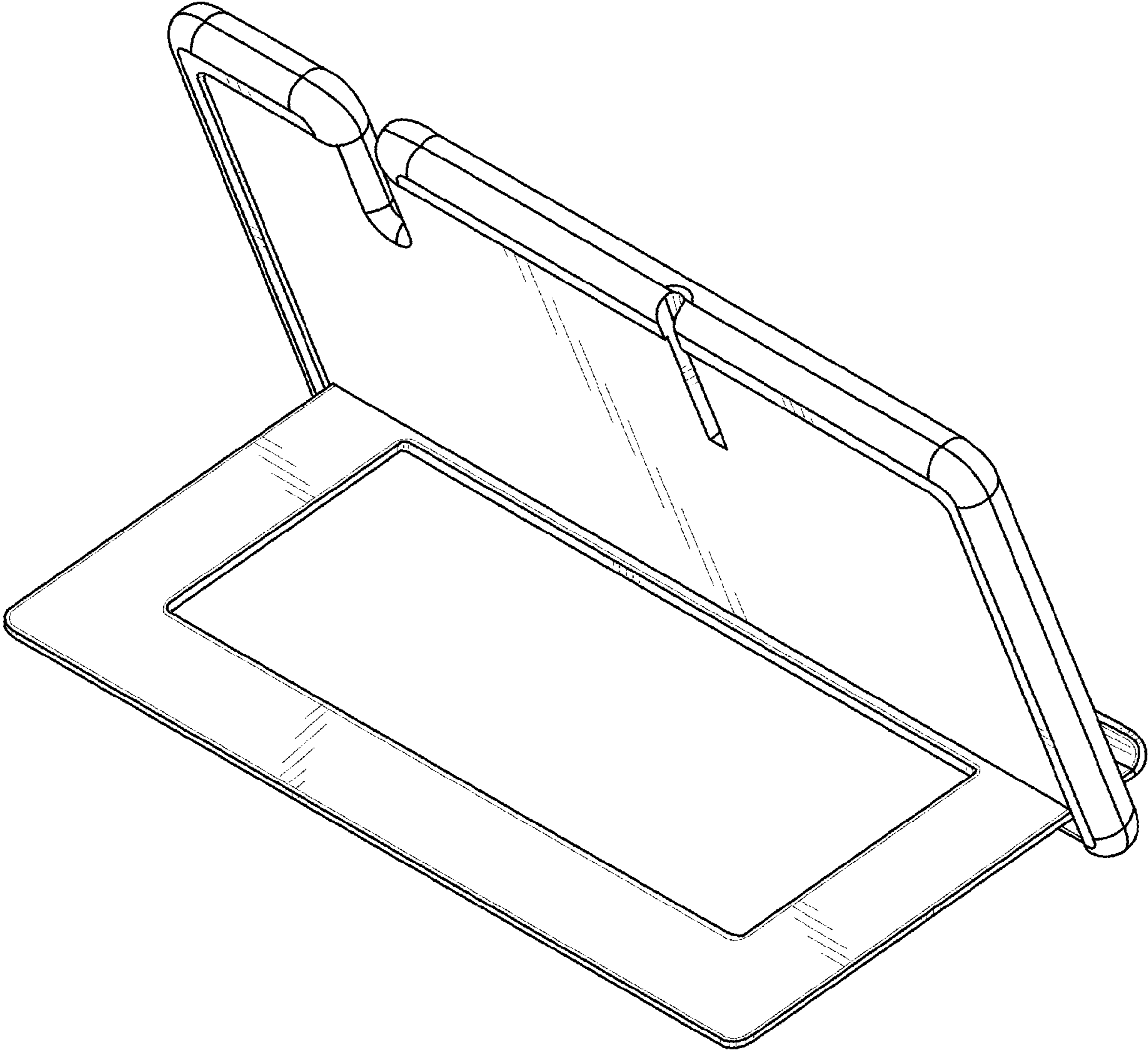


FIG. 8