



US00D892731S

(12) **United States Design Patent** (10) **Patent No.:** **US D892,731 S**
McSweyn (45) **Date of Patent:** **** Aug. 11, 2020**

(54) **MOBILE DEVICE CHARGER WITH EXTENSION STALK**

(71) Applicant: **Scosche Industries, Inc.**, Oxnard, CA (US)

(72) Inventor: **Christopher Michael McSweyn**, Oxnard, CA (US)

(73) Assignee: **Scosche Industries, Inc.**, Oxnard, CA (US)

(**) Term: **15 Years**

(21) Appl. No.: **29/644,888**

(22) Filed: **Apr. 20, 2018**

(51) **LOC (12) Cl.** **13-02**

(52) **U.S. Cl.**
USPC **D13/108; D13/144**

(58) **Field of Classification Search**
USPC D13/107-110, 118-119, 184, 133, 144;
D14/251, 253, 432, 434, 155
CPC Y02E 60/12; Y02T 90/14; Y02T 90/122;
Y02T 90/128; Y02T 90/163; H02J 7/025;
H02J 7/0042; H02J 7/0044; H02J 7/0045;
H02J 7/0003; H02J 7/0054; H02J 7/0055;
H02J 7/0057; H01F 38/14; H01R
13/6675; H01R 13/70; H01R 13/71;
H01R 13/66; H01R 13/26; H01M 2/1022;
H01M 2/1055; H01M 10/44; H01M
10/46; H01M 10/425; B60L 11/182;
H05K 11/02

See application file for complete search history.

(56) **References Cited**

U.S. PATENT DOCUMENTS

3,329,277 A 7/1967 Gaudino
3,642,122 A 2/1972 Ende
D306,396 S 3/1990 Brushaber
D317,697 S 6/1991 Lage
D327,840 S 7/1992 Askew

5,213,240 A 5/1993 Dietz et al.
D362,230 S 9/1995 Yokozawa
D362,657 S 9/1995 Tomikawa et al.
D384,937 S * 10/1997 Liu D13/108
5,988,572 A * 11/1999 Chivallier B60R 11/0241
224/929

5,992,807 A 11/1999 Tarulli
6,075,499 A 6/2000 Edwards et al.
6,076,790 A 6/2000 Richter
D430,148 S * 8/2000 DeLeon D14/240
6,135,408 A 10/2000 Richter

(Continued)

OTHER PUBLICATIONS

The Original iMAGNET Cradle-Less Universal Car Phone Windsheild Dashboard Mount Holder for iPhone 6, 6 Plus, 6S, 6S Plus, 5S 5, Galaxy S6 S5, Note 5 4 3, With Official iMAGNET Logo, iMagnet, Amazon.com, Aug. 19, 2012.

Primary Examiner — Nathaniel D. Buckner
(74) *Attorney, Agent, or Firm* — Stetina Brunda Garred & Brucker

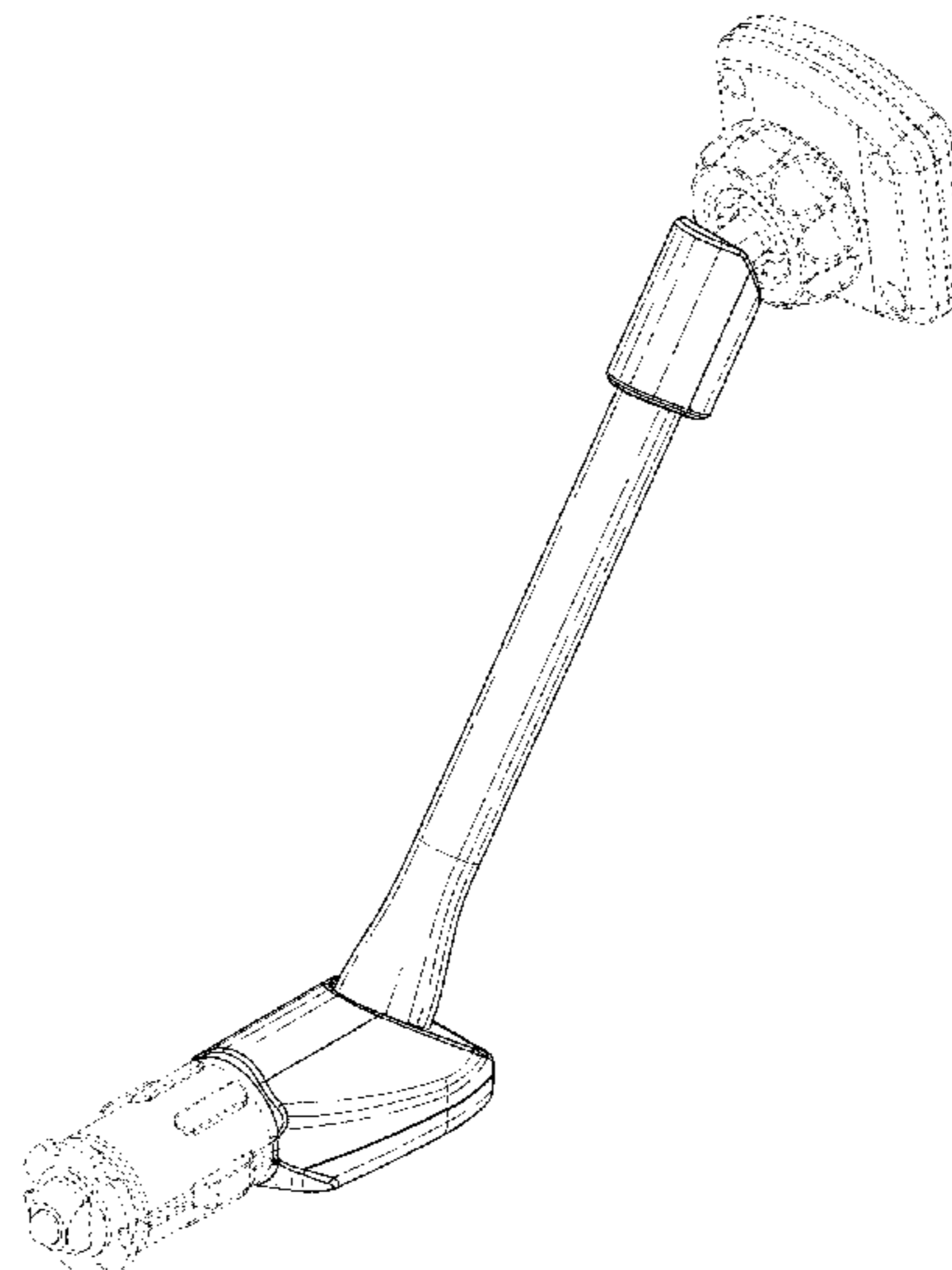
(57) **CLAIM**

The ornamental design for a mobile device charger with extension stalk, as shown and described.

DESCRIPTION

FIG. 1 is a rear perspective view showing a mobile device charger with extension stalk showing my new design; FIG. 2 is a front perspective view thereof; FIG. 3 is a top plan view thereof; FIG. 4 is a left side view thereof; FIG. 5 is a front view thereof; FIG. 6 is a rear view thereof; FIG. 7 is a right side view thereof; and, FIG. 8 is a bottom plan view thereof. The broken lines shown in the drawings depict portions of the mobile device charger with extension stalk or environmental structure and form no part of the claimed design.

1 Claim, 3 Drawing Sheets



(56)

References Cited

U.S. PATENT DOCUMENTS

6,149,116 A 11/2000 Won
 6,305,656 B1 10/2001 Wemyss
 6,382,482 B1 5/2002 Chao
 6,502,727 B1 1/2003 Decoteau
 D479,196 S 9/2003 Shih
 D489,578 S 5/2004 Lai
 6,888,940 B1 5/2005 Deppen
 7,021,593 B1 4/2006 Fan
 D521,850 S 5/2006 Richter et al.
 D530,333 S 10/2006 Richter
 D543,439 S 5/2007 Brassard
 D551,058 S 9/2007 Carnevali
 D551,166 S * 9/2007 Dayan D13/110
 D552,454 S 10/2007 Fynn
 D553,959 S 10/2007 Brassard
 D554,042 S 10/2007 Richter
 D554,491 S 11/2007 Stenberg et al.
 7,296,771 B2 11/2007 Kalis et al.
 D560,592 S 1/2008 Brassard
 D563,309 S 3/2008 Richter
 D565,937 S 4/2008 Tsai
 7,374,142 B2 5/2008 Carnevali
 D570,836 S 6/2008 Chen
 D576,865 S 9/2008 Chiang et al.
 7,431,251 B2 10/2008 Carnevali
 D588,903 S 3/2009 Carnevali
 D590,835 S 4/2009 Richter
 D592,205 S 5/2009 O'Brien
 D600,991 S 9/2009 Lai
 D603,322 S 11/2009 Niciejka
 D609,644 S 2/2010 Lin
 D638,008 S 5/2011 Richter
 D644,990 S * 9/2011 Tseng D13/108
 8,016,255 B2 9/2011 Lin
 D654,874 S 2/2012 Au
 D656,465 S 3/2012 Au

D656,899 S 4/2012 Webb et al.
 D670,157 S 11/2012 Mo
 D671,074 S 11/2012 Hori et al.
 D677,709 S 3/2013 Skeoch et al.
 D681,867 S 5/2013 Wegger et al.
 D686,595 S 7/2013 Andre et al.
 8,496,222 B2 7/2013 Li
 D687,441 S 8/2013 Jansen
 D694,249 S 11/2013 Akana et al.
 D700,175 S 2/2014 Ohm
 D705,211 S 5/2014 Huang
 D709,066 S 7/2014 Byun
 D709,072 S 7/2014 Askew-Harris et al.
 D711,322 S 8/2014 McSweyn et al.
 D713,398 S 9/2014 Alesi et al.
 D715,132 S 10/2014 McSweyn et al.
 D718,612 S 12/2014 McSweyn et al.
 D719,959 S 12/2014 Vogel
 D730,723 S 6/2015 McSweyn et al.
 D777,675 S * 1/2017 Miller D13/144
 D795,832 S * 8/2017 Du D14/155
 D796,470 S * 9/2017 Du D14/155
 D820,803 S * 6/2018 Hu D14/155
 10,389,160 B2 * 8/2019 Miller H02J 7/025
 D859,315 S * 9/2019 Zhong D13/144
 2005/0092875 A1 5/2005 Carnevali
 2006/0052144 A1 * 3/2006 Seil H04B 1/3822
 455/575.1
 2006/0290654 A1 12/2006 Wang
 2007/0018064 A1 1/2007 Wang
 2008/0023606 A1 1/2008 Kalis et al.
 2011/0192857 A1 8/2011 Rothbaum et al.
 2011/0255226 A1 * 10/2011 Duncan Seil F16M 13/02
 361/679.01
 2012/0229300 A1 9/2012 Fu
 2012/0292463 A1 11/2012 Burns
 2013/0187020 A1 7/2013 Trotsky
 2014/0346295 A1 11/2014 Song

* cited by examiner

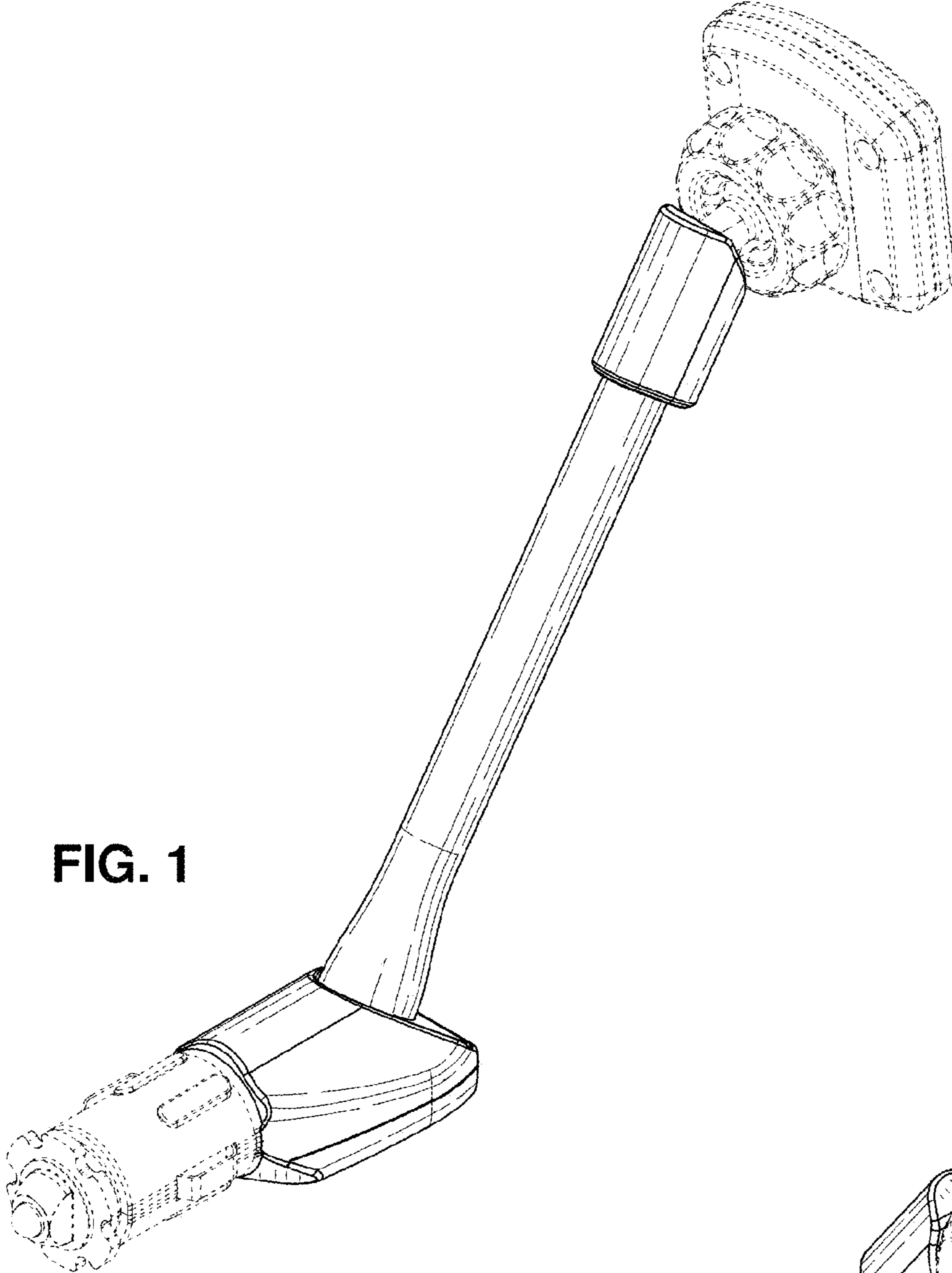


FIG. 1

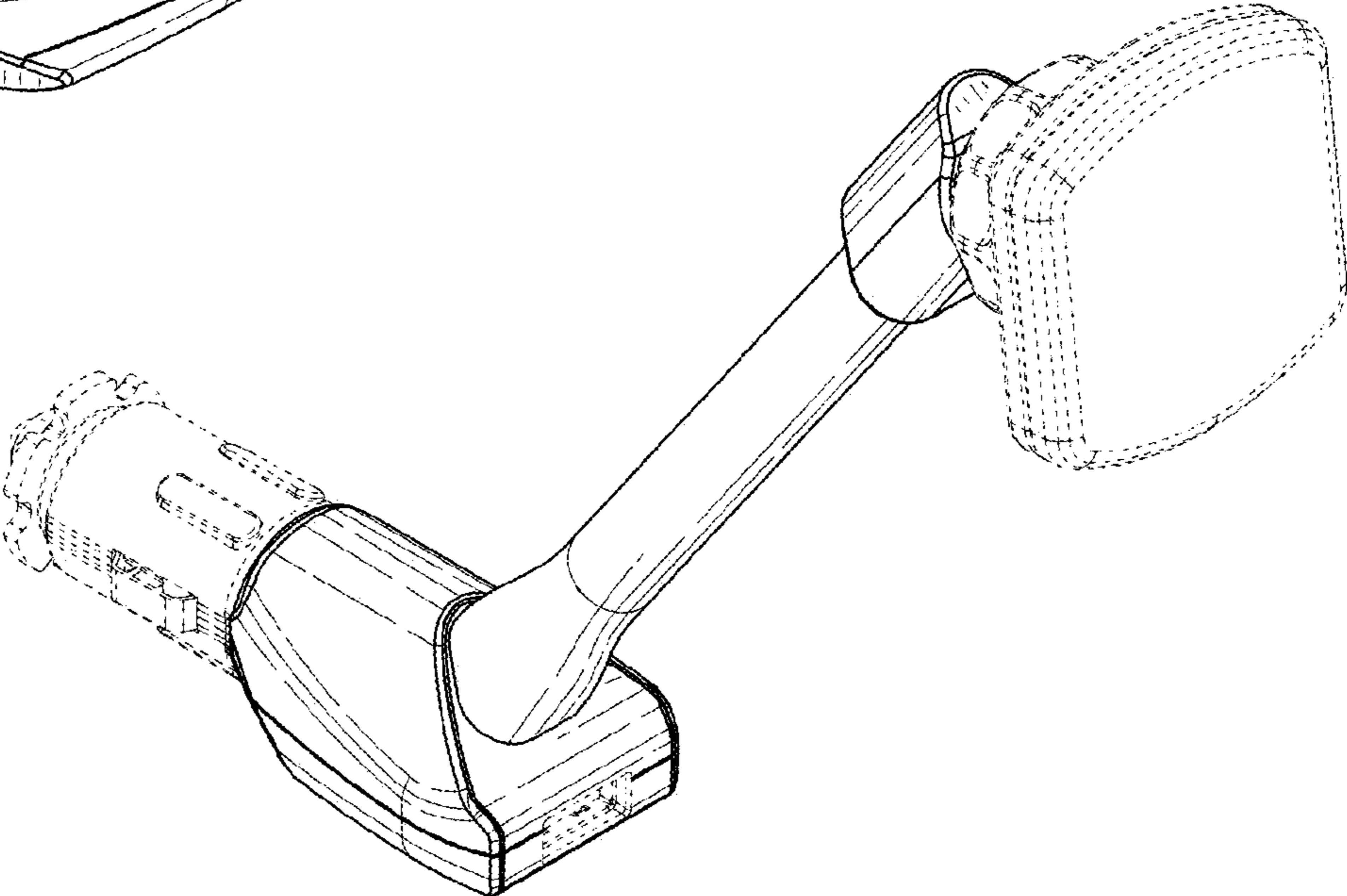


FIG. 2

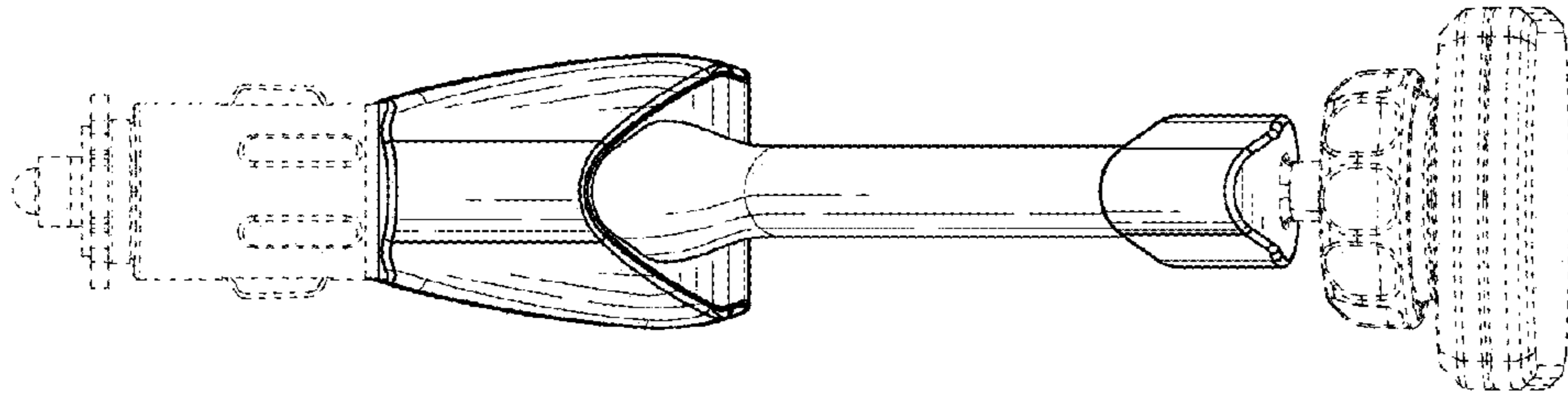


FIG. 3

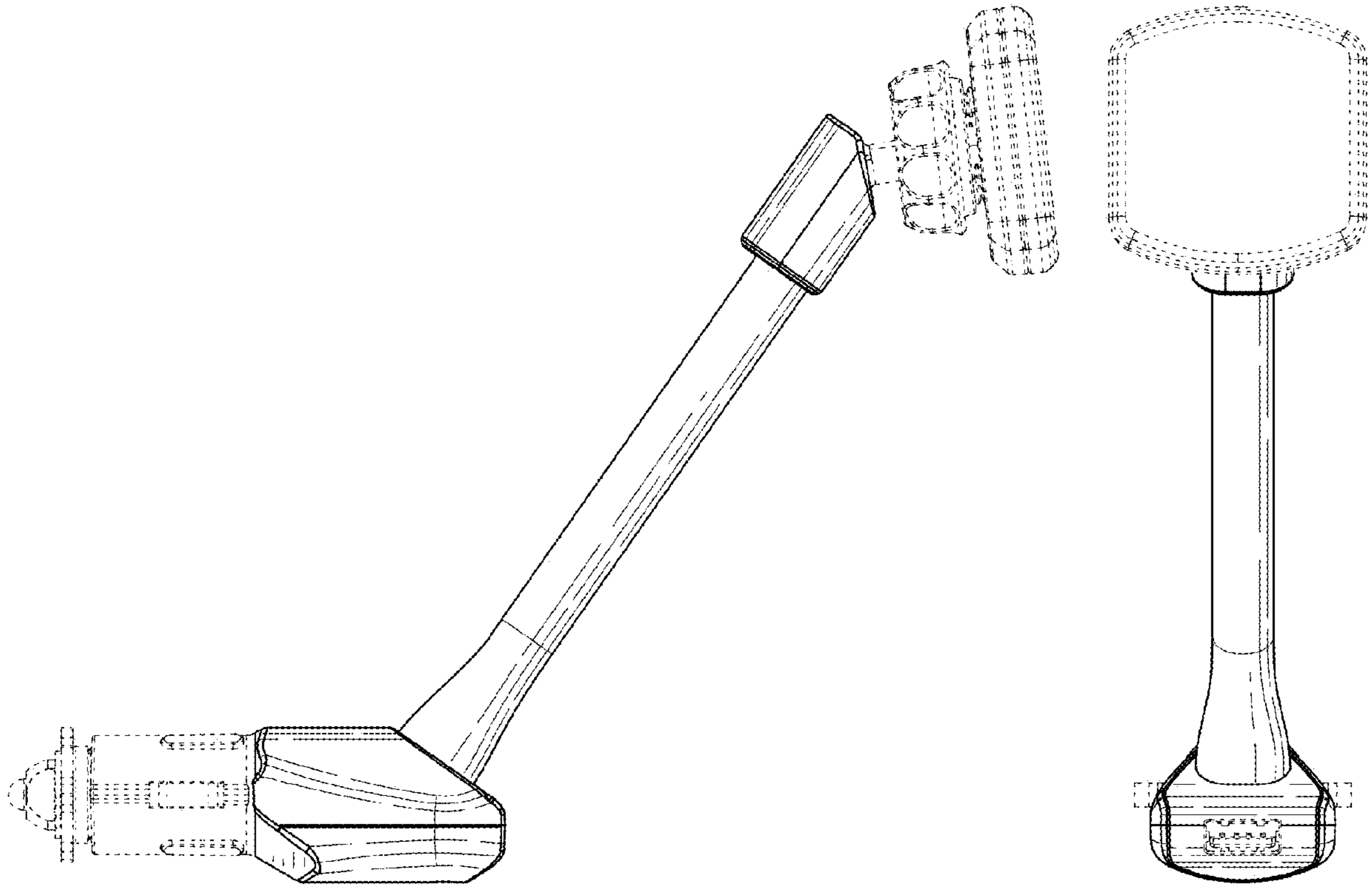


FIG. 4

FIG. 5

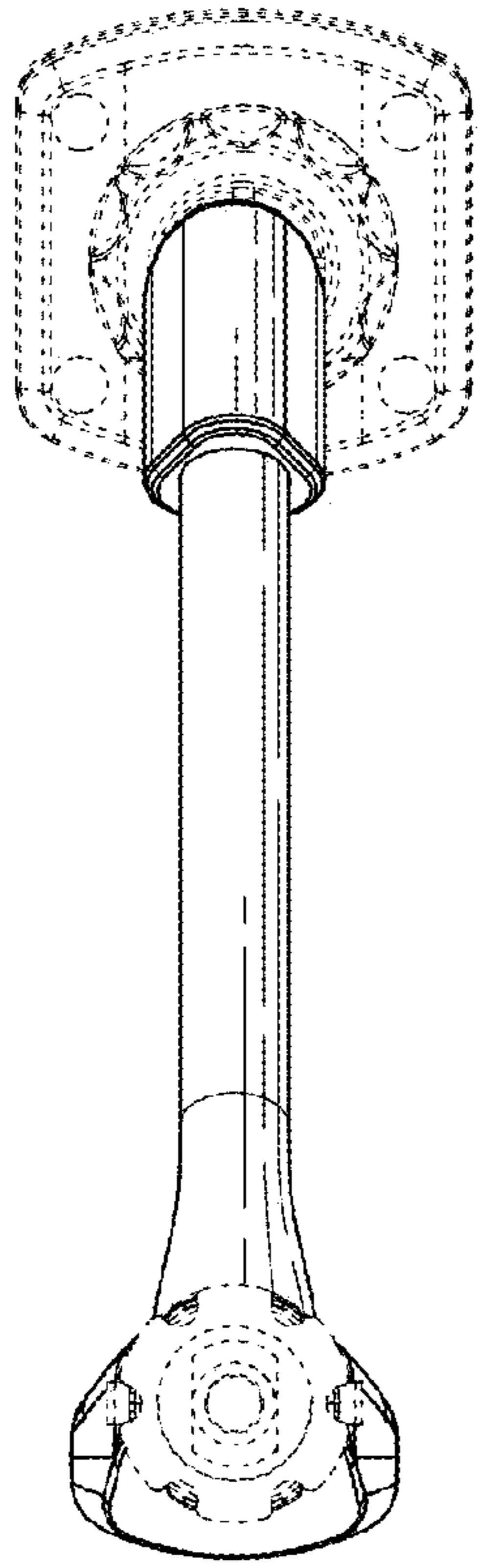


FIG. 6

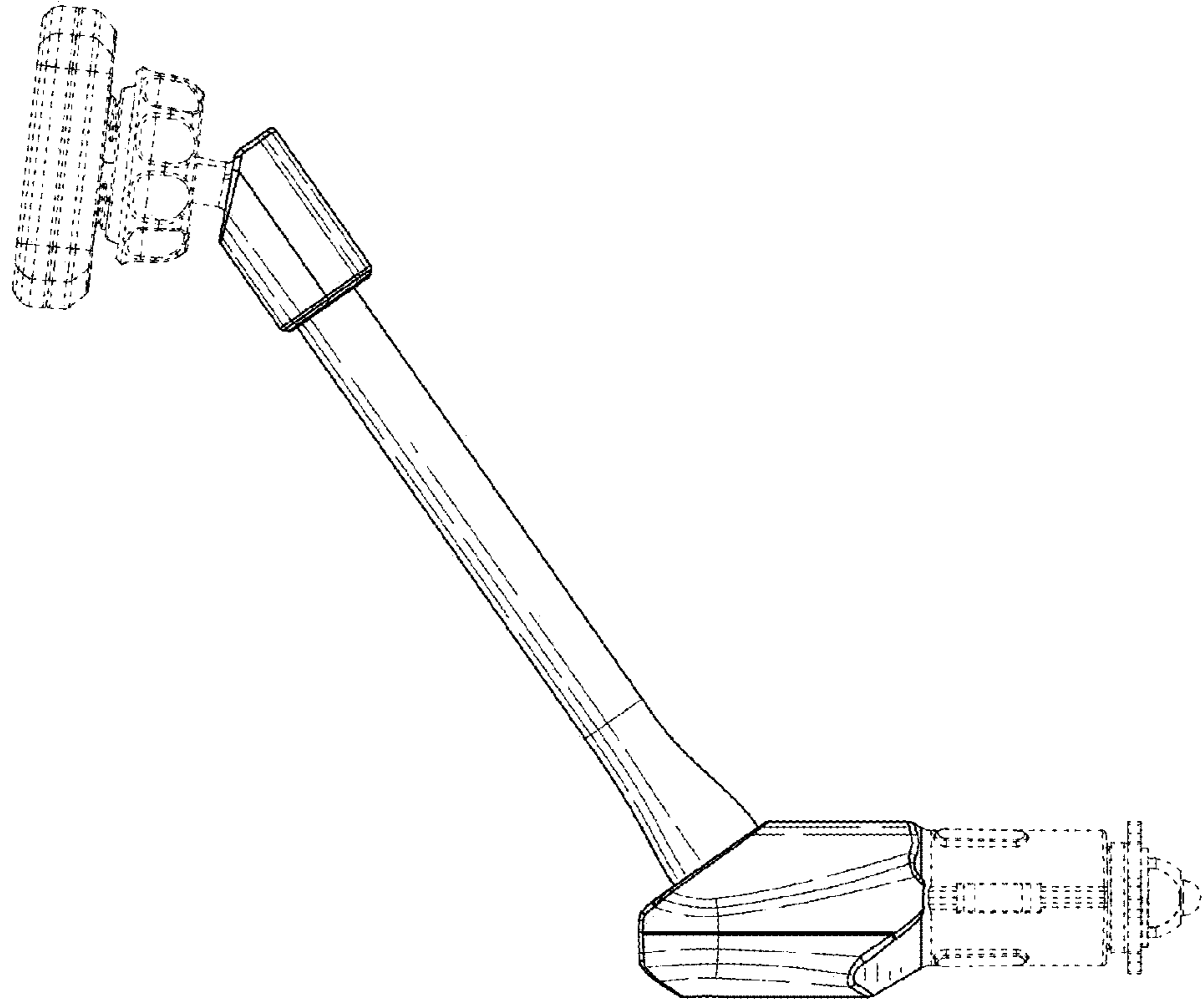


FIG. 7

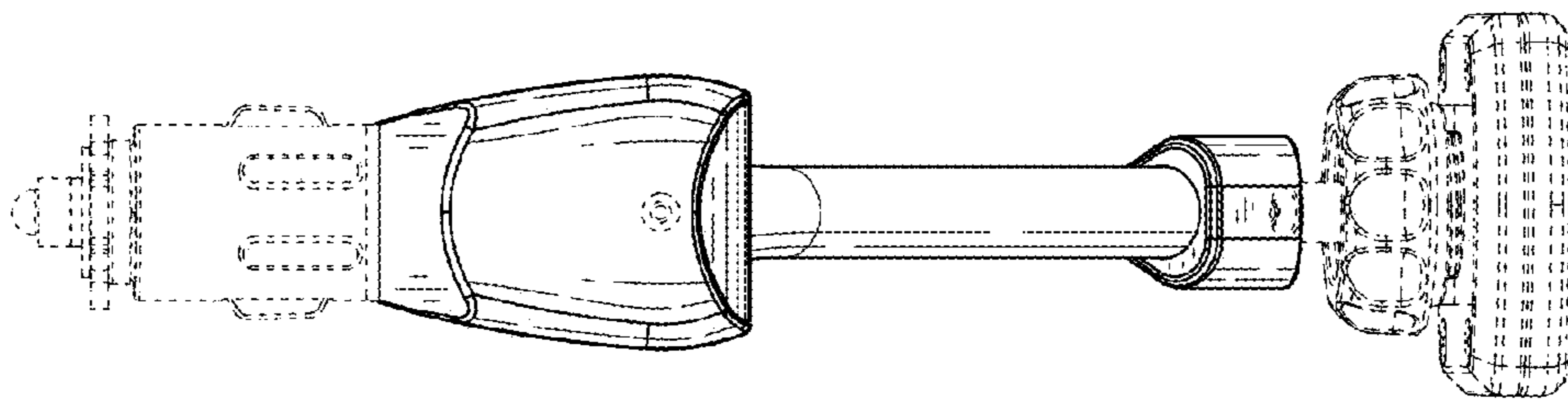


FIG. 8