



US00D892730S

(12) **United States Design Patent**  
**Chen**

(10) **Patent No.:** **US D892,730 S**

(45) **Date of Patent:** **\*\* Aug. 11, 2020**

(54) **DESKTOP CHARGER**

(71) Applicant: **SHENZHEN ANHAORUIHE ELECTRONICS CO., LTD**, Shenzhen (CN)

(72) Inventor: **Xinjiao Chen**, Shenzhen (CN)

(73) Assignee: **SHENZHEN ANHAORUIHE ELECTRONICS CO., LTD.**, Shenzhen (CN)

(\*\*) Term: **15 Years**

(21) Appl. No.: **29/634,808**

(22) Filed: **Jan. 25, 2018**

(51) **LOC (12) Cl.** ..... **13-02**

(52) **U.S. Cl.**  
USPC ..... **D13/108**

(58) **Field of Classification Search**  
USPC ..... D13/107-110, 118-119, 184; D14/251, D14/253, 432, 434  
CPC ..... Y02E 60/12; Y02T 90/14; Y02T 90/122; Y02T 90/128; Y02T 90/163; H02J 7/025; H02J 7/0042; H02J 7/0044; H02J 7/0045; H02J 7/0003; H01F 38/14; H01R 13/6675; H01M 2/1022; H01M 2/1055; H01M 10/44; H01M 10/46; H01M 10/425; B60L 11/182  
See application file for complete search history.

(56) **References Cited**

**U.S. PATENT DOCUMENTS**

D456,351 S \* 4/2002 Yoneda ..... D13/108  
D642,124 S \* 7/2011 Budike, Jr. .... D13/108

D709,445 S \* 7/2014 Yeh ..... D13/107  
D736,703 S \* 8/2015 Kotaniemi ..... D13/108  
D741,256 S \* 10/2015 Murphy-Reinhertz ..... D13/108  
D761,729 S \* 7/2016 Leong ..... D13/108  
D778,829 S \* 2/2017 Marmus ..... D13/108  
D823,796 S \* 7/2018 Zhang ..... D13/108  
D845,234 S \* 4/2019 Gao ..... D13/108  
D850,369 S \* 6/2019 Wang ..... D13/108  
D850,370 S \* 6/2019 Lee ..... D13/108  
D853,326 S \* 7/2019 Jun ..... D13/108  
D860,132 S \* 9/2019 Fu ..... D13/108

\* cited by examiner

*Primary Examiner* — Nathaniel D. Buckner

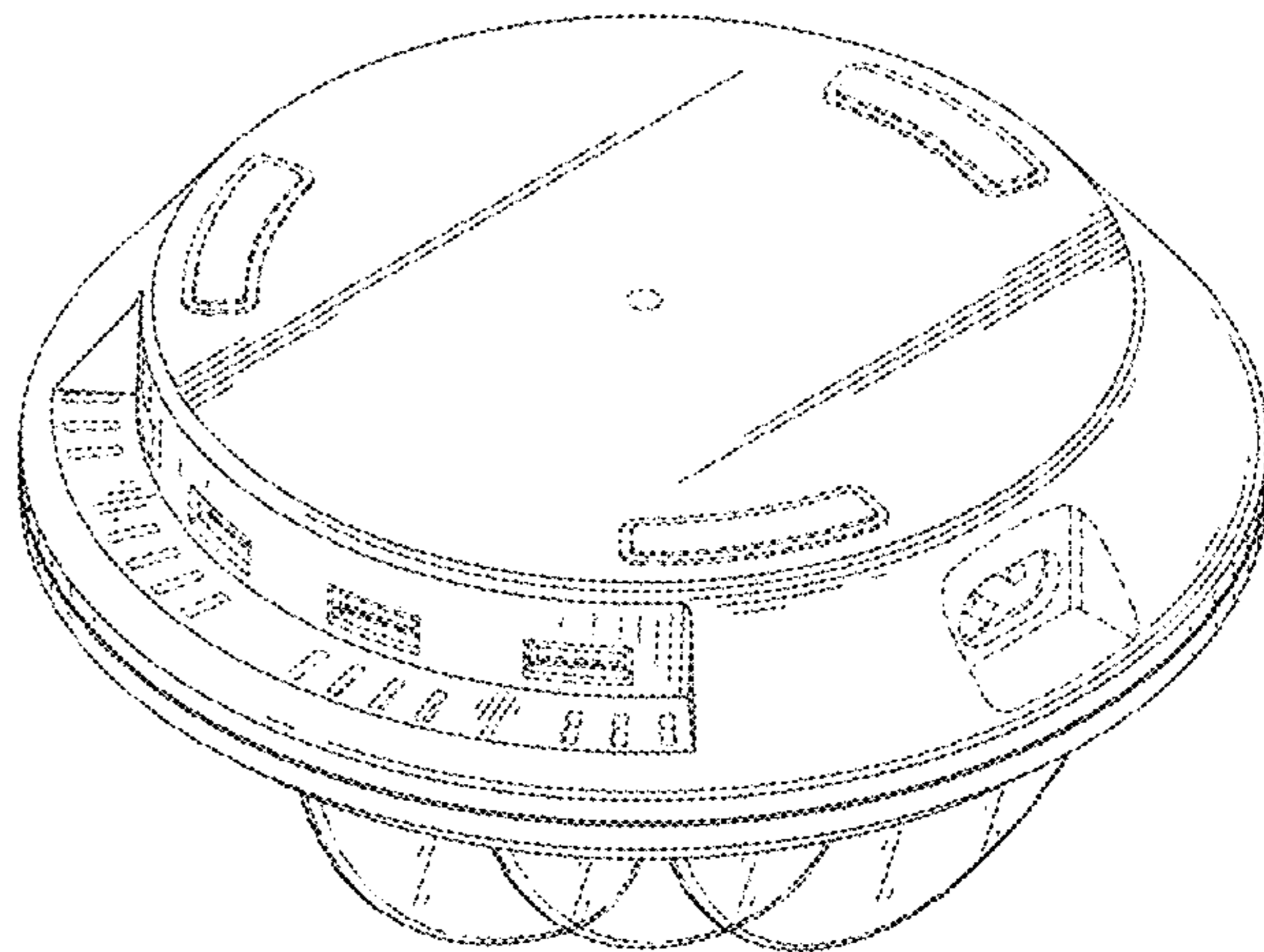
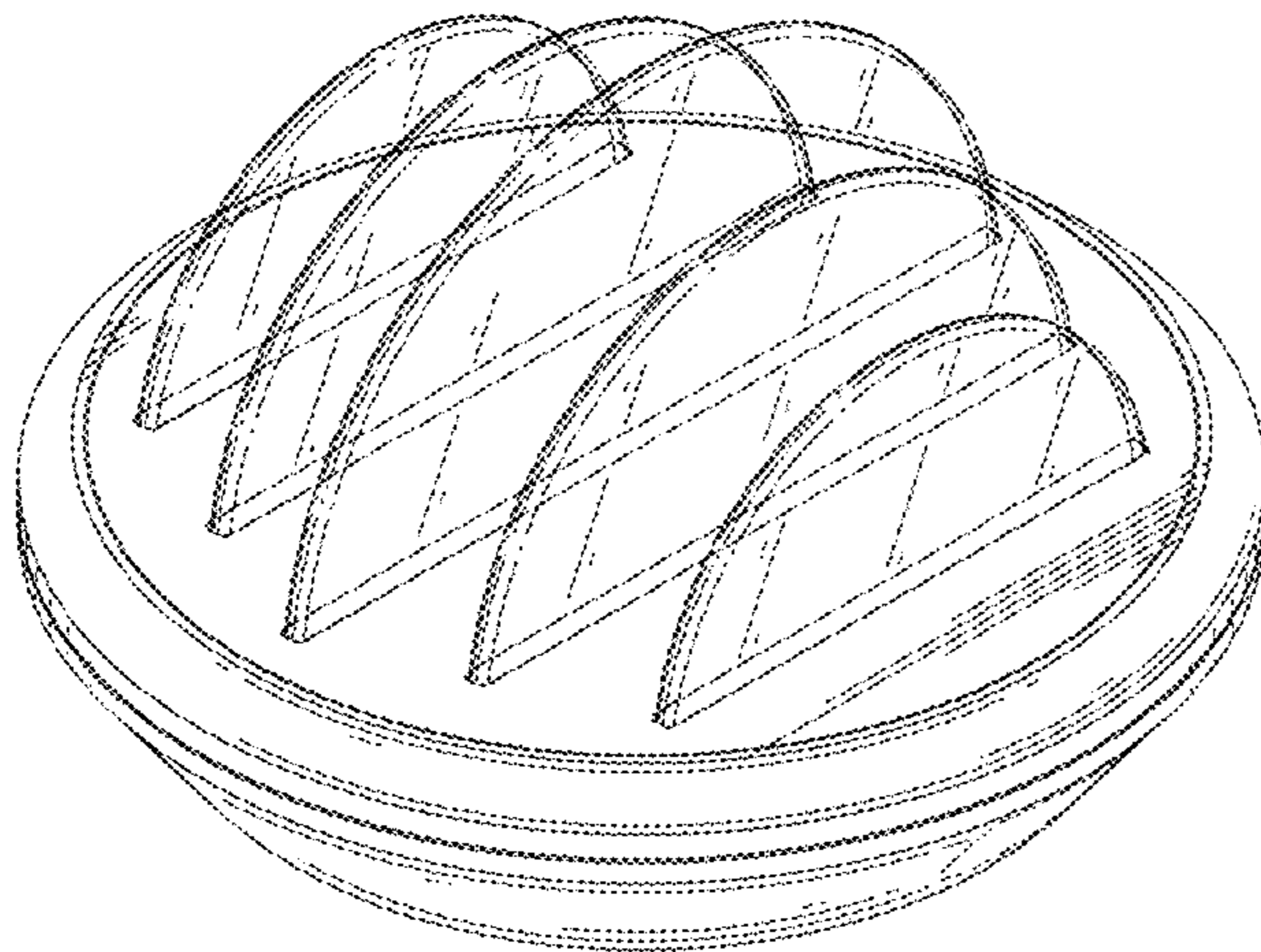
(57) **CLAIM**

The ornamental design for a desktop charger, as shown and described.

**DESCRIPTION**

FIG. 1 is a top front left perspective view of a desktop charger showing my new design;  
FIG. 2 is bottom right rear perspective view thereof;  
FIG. 3 is a front elevational view thereof;  
FIG. 4 is a rear elevational view thereof;  
FIG. 5 is a left side elevational view thereof;  
FIG. 6 is a right side elevational view thereof;  
FIG. 7 is a top plan view thereof; and,  
FIG. 8 is a bottom plan view thereof.  
The broken lines are for the purposes of illustrating portions of the desktop charger and form no part of the claimed design.

**1 Claim, 8 Drawing Sheets**



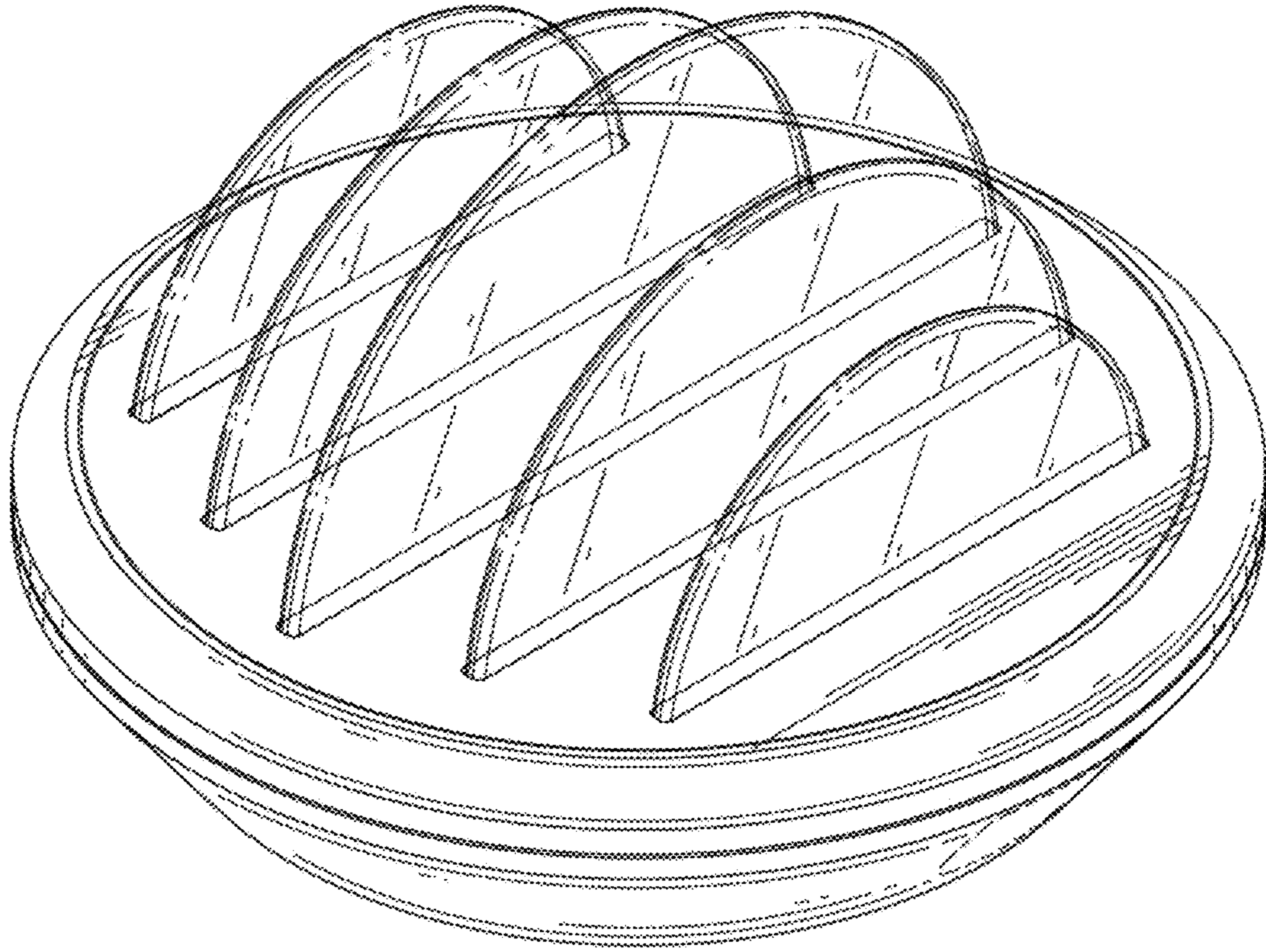


FIG. 1

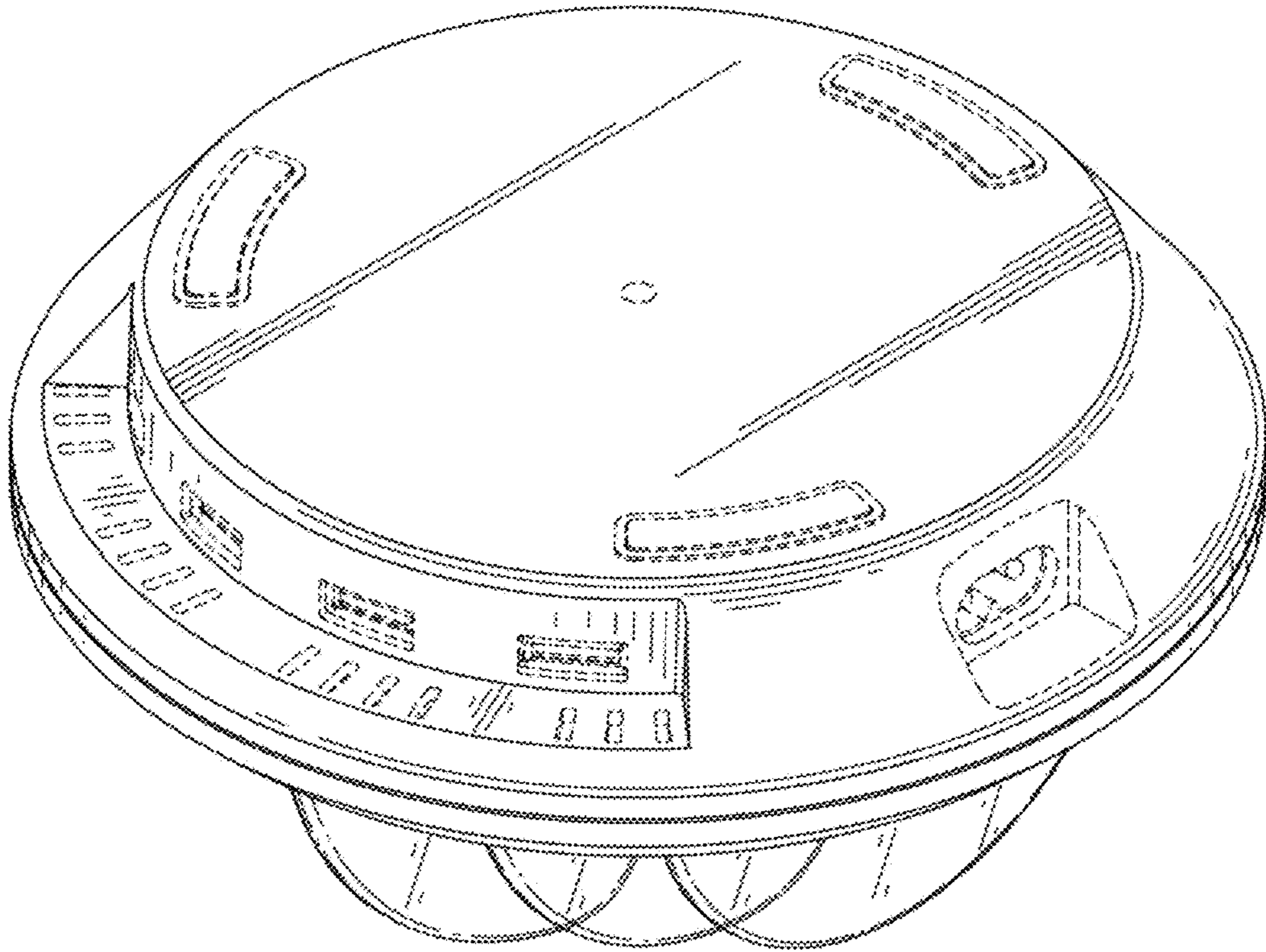


FIG. 2

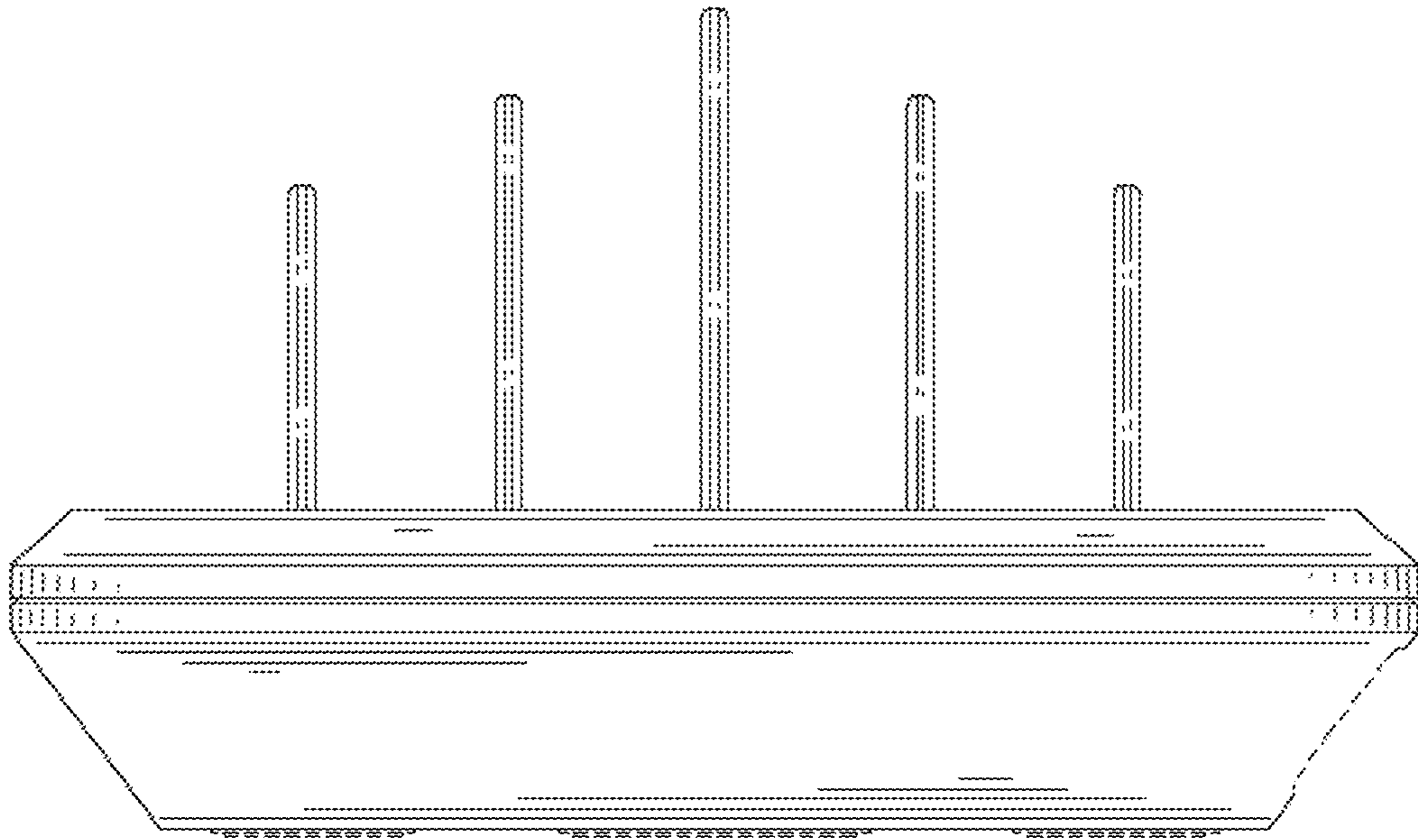


FIG. 3

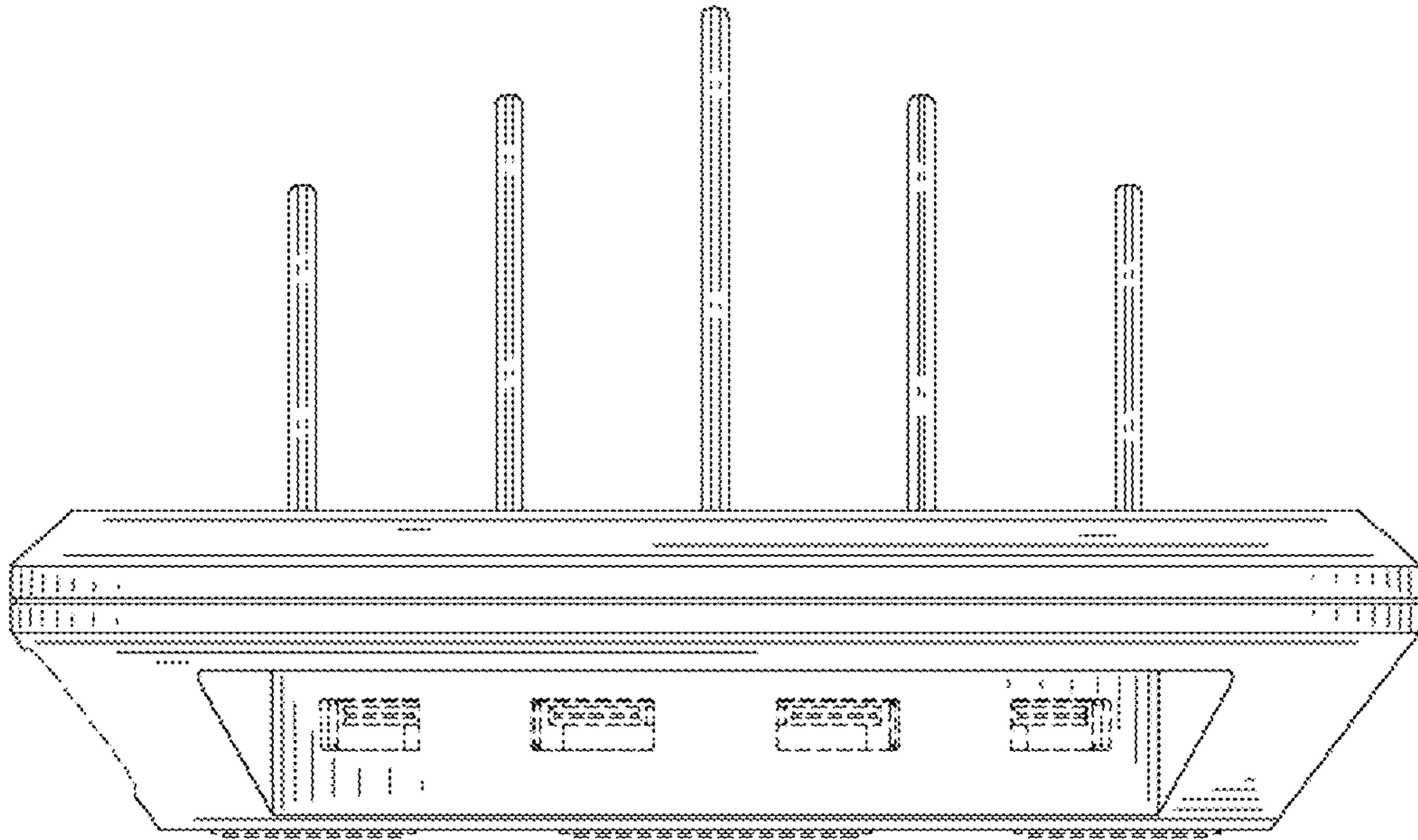


FIG. 4

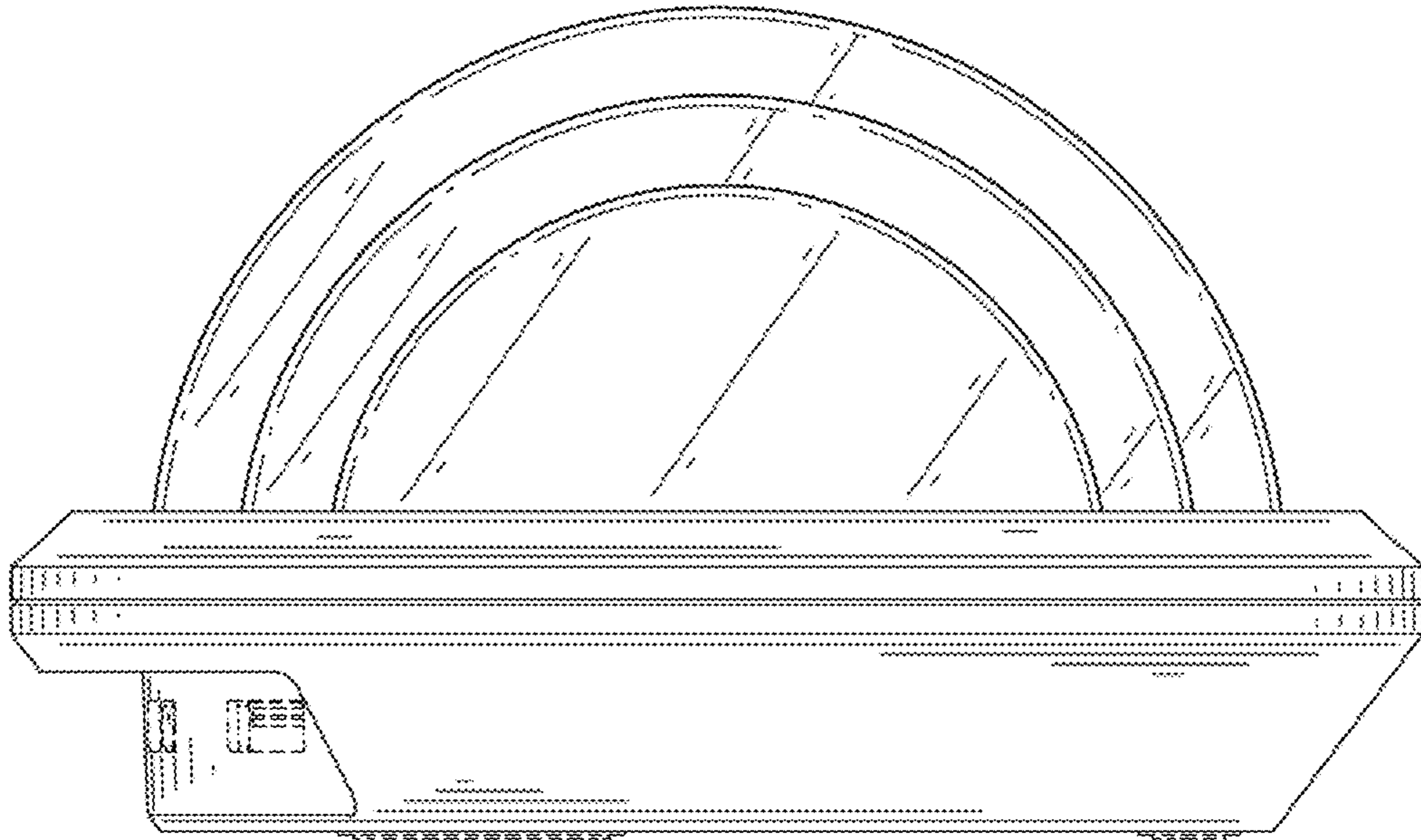


FIG. 5

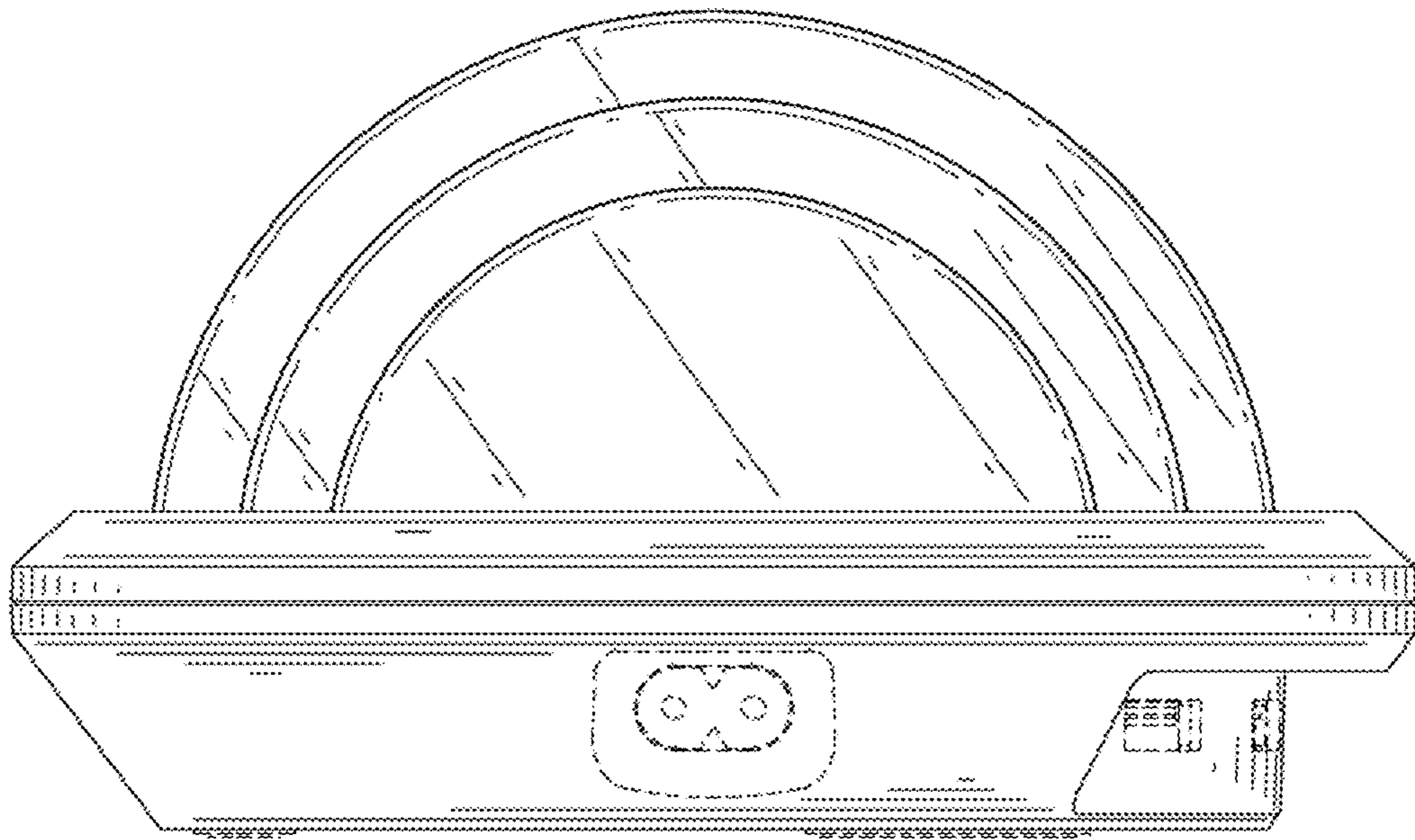


FIG. 6

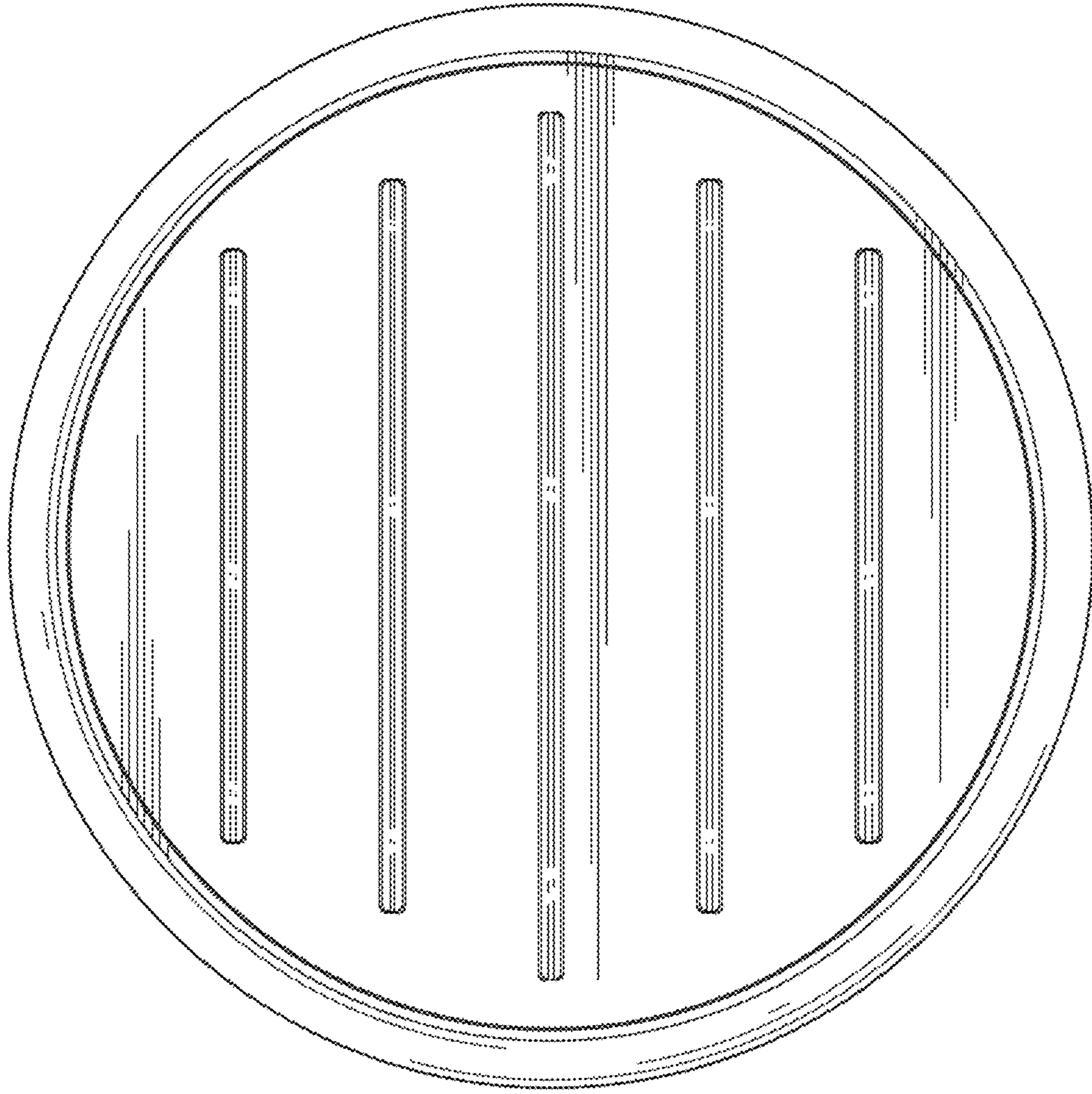


FIG. 7



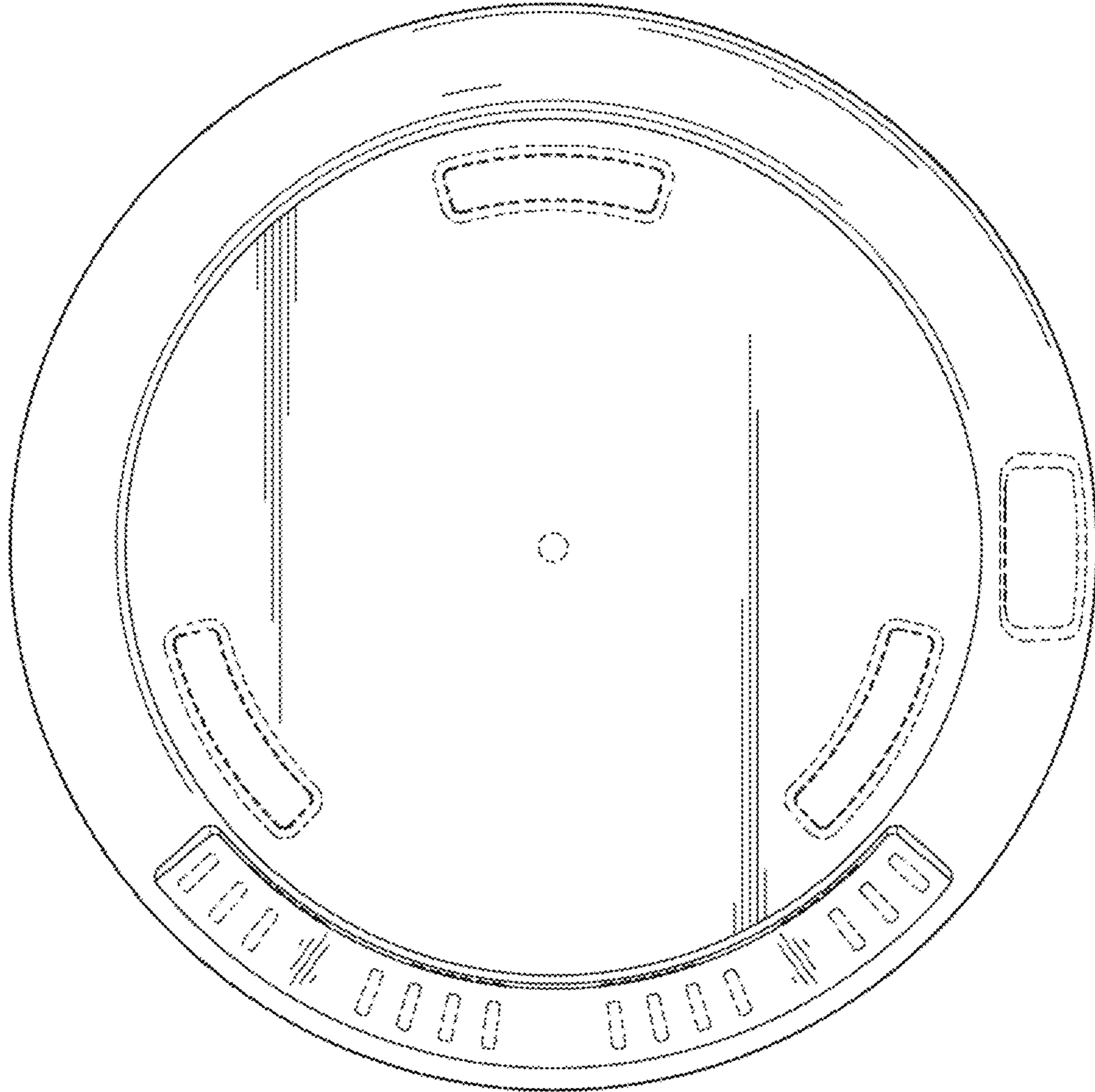


FIG. 8